



US00D430800S

United States Patent [19]
Sarnoff

[11] **Patent Number: Des. 430,800**

[45] **Date of Patent: ** Sep. 12, 2000**

[54] **DISPOSABLE FOIL ROASTING PAN**

[75] Inventor: **Norton Sarnoff**, Northbrook, Ill.

[73] Assignee: **Handi-Foil Corporation**, Wheeling, Ill.

[**] Term: **14 Years**

[21] Appl. No.: **29/107,252**

[22] Filed: **Jun. 30, 1999**

[51] **LOC (7) Cl.** **09-03**

[52] **U.S. Cl.** **D9/425; D9/431**

[58] **Field of Search** D7/545, 549, 553.2,
D7/555, 556, 587, 602-604, 612-615, 629,
509, 523, 543; D9/337, 341, 345-347,
420-421, 430-432, 425, 414, 415; 206/557,
562-564; 220/527-528, 556-557, 671,
672, 675, 669

[56] **References Cited**

U.S. PATENT DOCUMENTS

D. 195,375	6/1963	Bostrom	D9/425
D. 352,454	11/1994	Krupa	D9/425
D. 392,881	3/1998	Bulcher et al.	229/904
D. 398,526	9/1998	Schwartz et al.	D9/431
D. 409,909	5/1999	Hayes et al.	D9/431
3,104,776	9/1963	Bostrom	220/671
4,874,083	10/1989	Antoni et al.	206/557

Primary Examiner—Ted Shooman

Assistant Examiner—Carol Rademaker
Attorney, Agent, or Firm—Robert F. I. Conte; Lee, Mann,
Smith, McWilliams, Sweeney & Ohlson

[57] **CLAIM**

The ornamental design for a disposable foil roasting pan, substantially as shown and described.

DESCRIPTION

FIG. 1 is a perspective view of a disposable foil roasting pan showing my new design which has three large flutes on the sides and has two large flutes on the front and rear thereof; FIG. 2 is a right side plan view of the disposable foil roasting pan of FIG. 1 with the left side plan view being a mirror image thereof;

FIG. 3 is a front plan view of the disposable foil roasting pan of FIG. 1 with the rear plan view being a mirror image thereof;

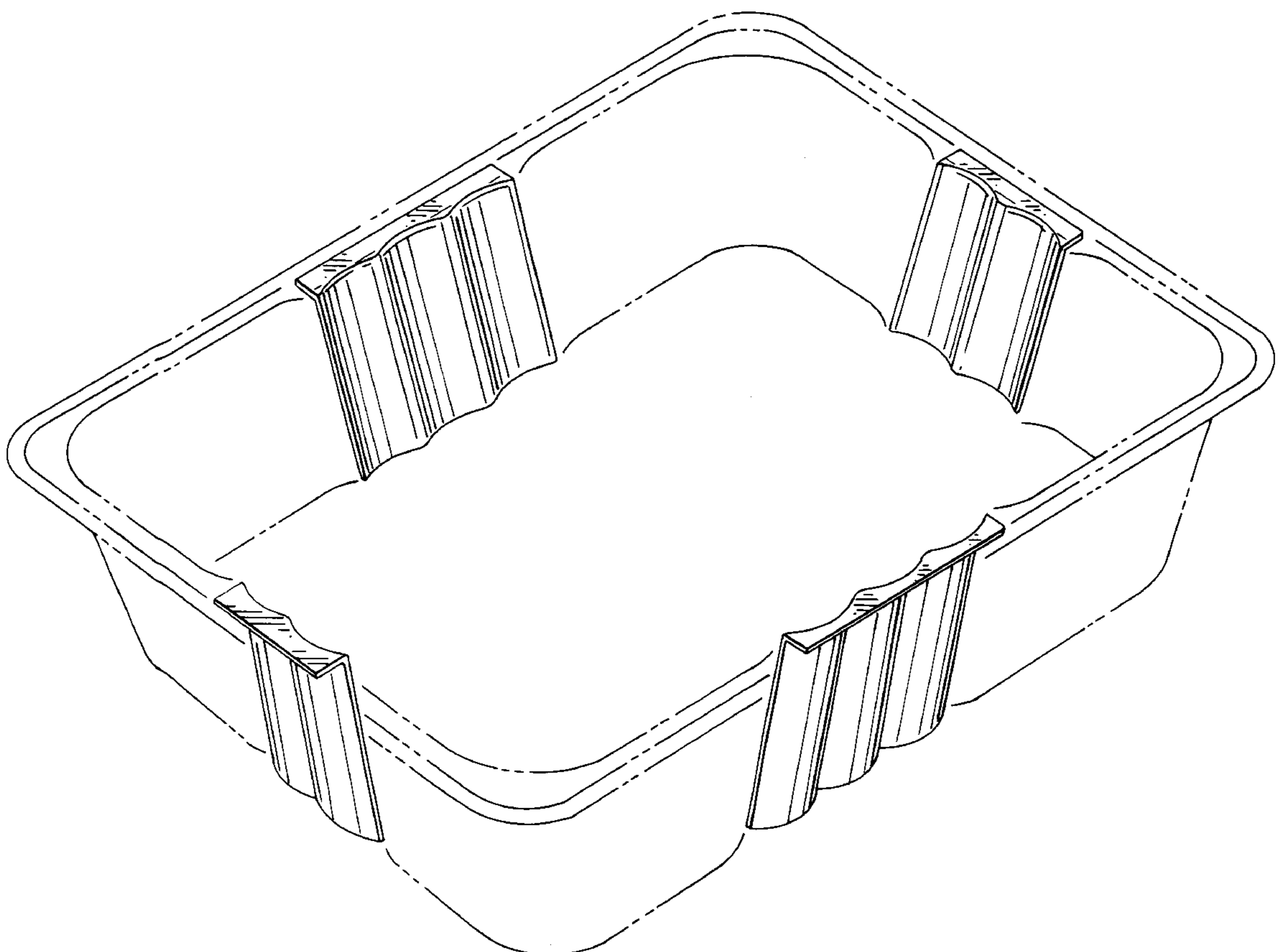
FIG. 4 is a top plan view of the disposable foil roasting pan of FIG. 1;

FIG. 5 is a bottom plan view of the disposable foil roasting pan of FIG. 1; and,

FIG. 6 is a top perspective view of a second embodiment, it being understood that the interior and exterior surfaces that are shown of the side and end panels are the same as the opposing side and end panels.

The broken line showing in FIGS. 1-6 is for illustrative purposes only and forms no part of the claimed design.

1 Claim, 5 Drawing Sheets



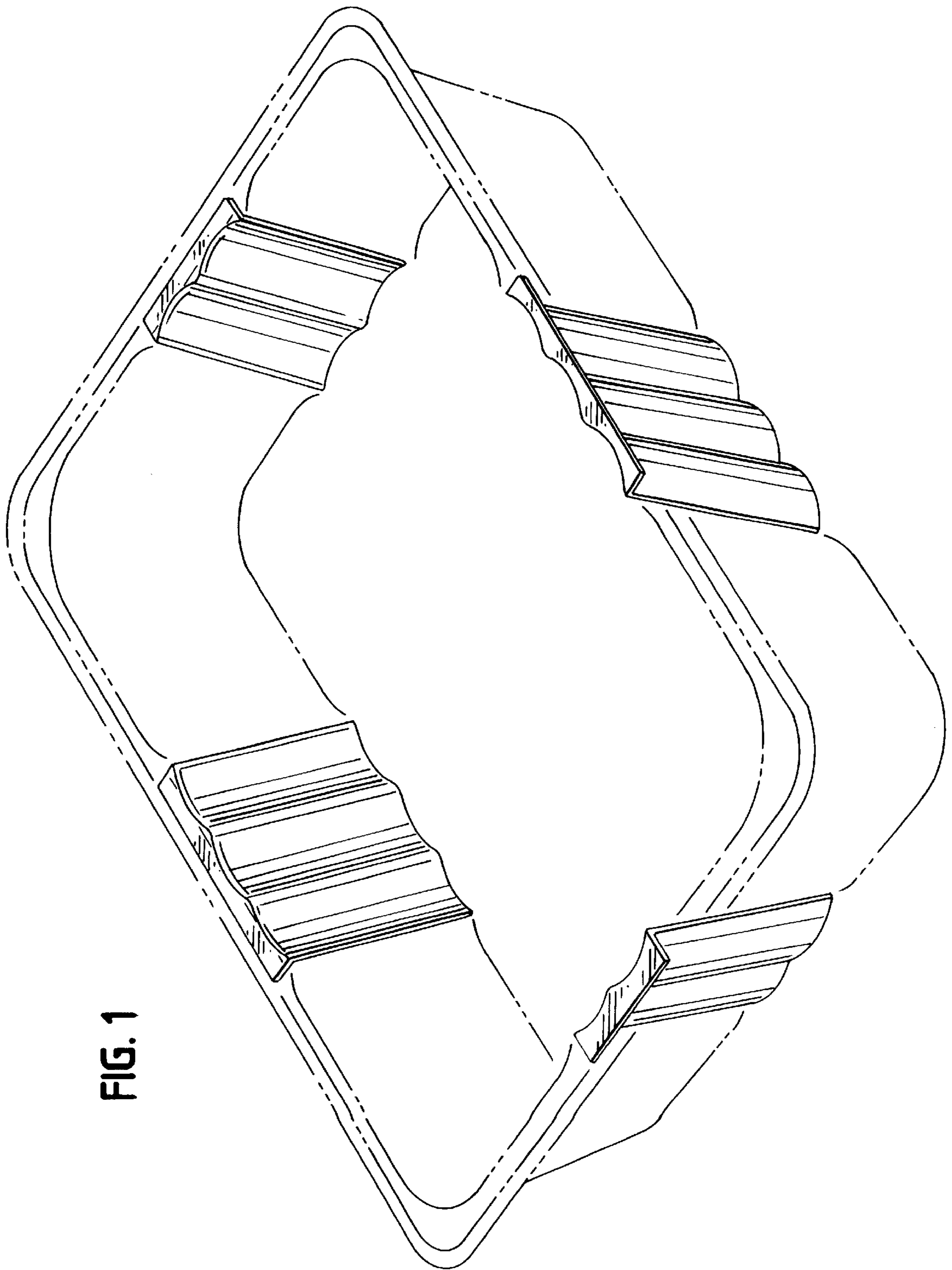


FIG. 1

FIG. 2

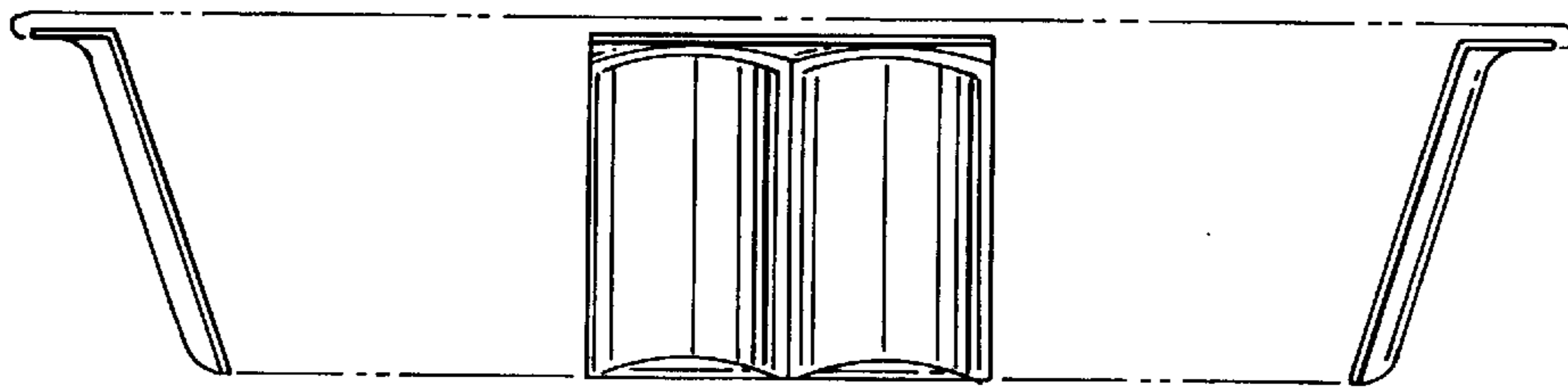


FIG. 3

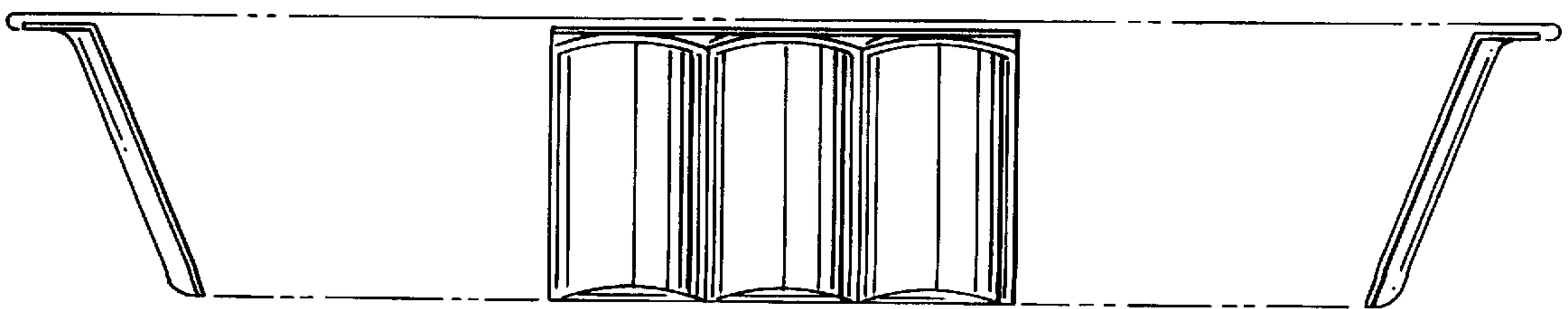


FIG. 4

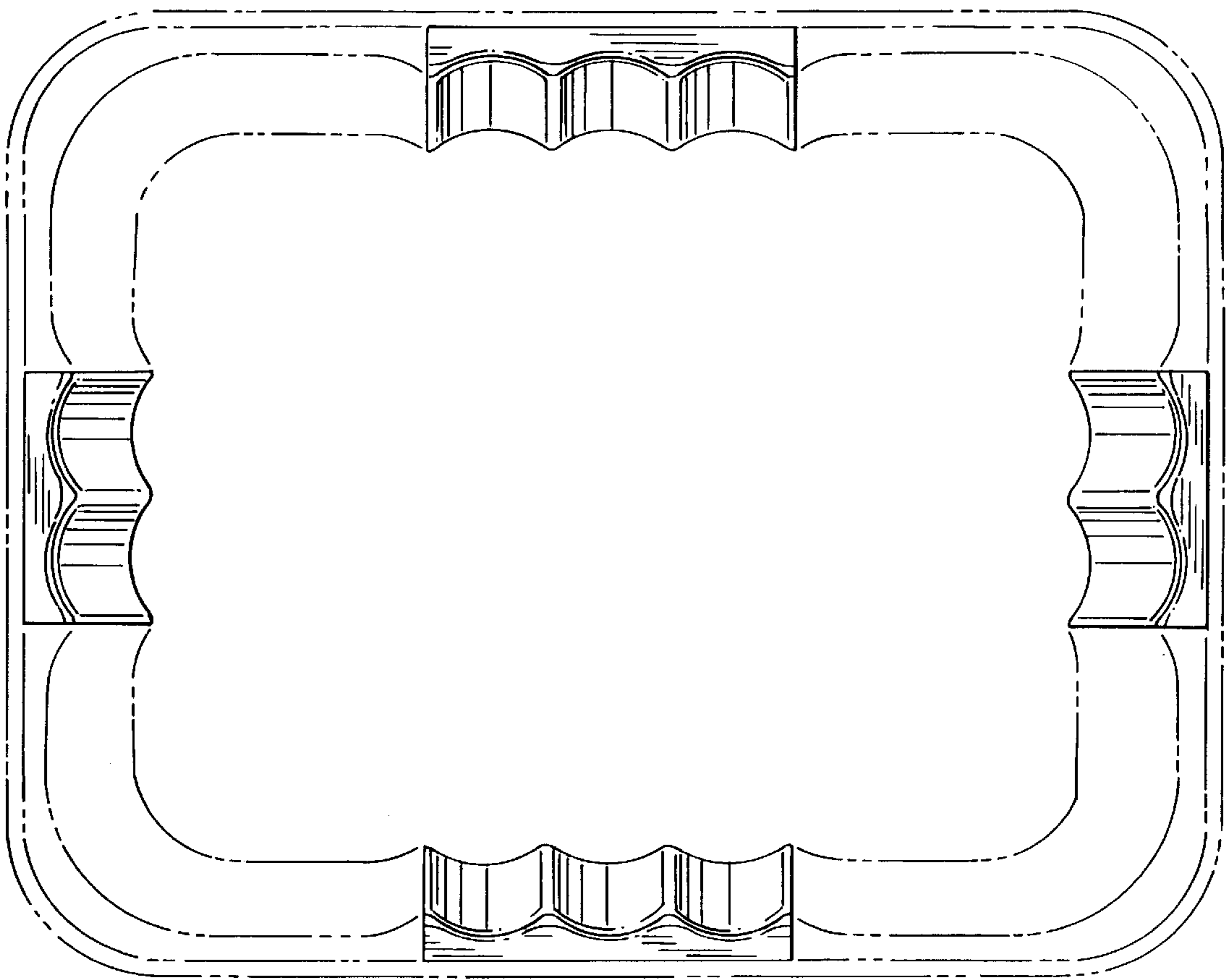
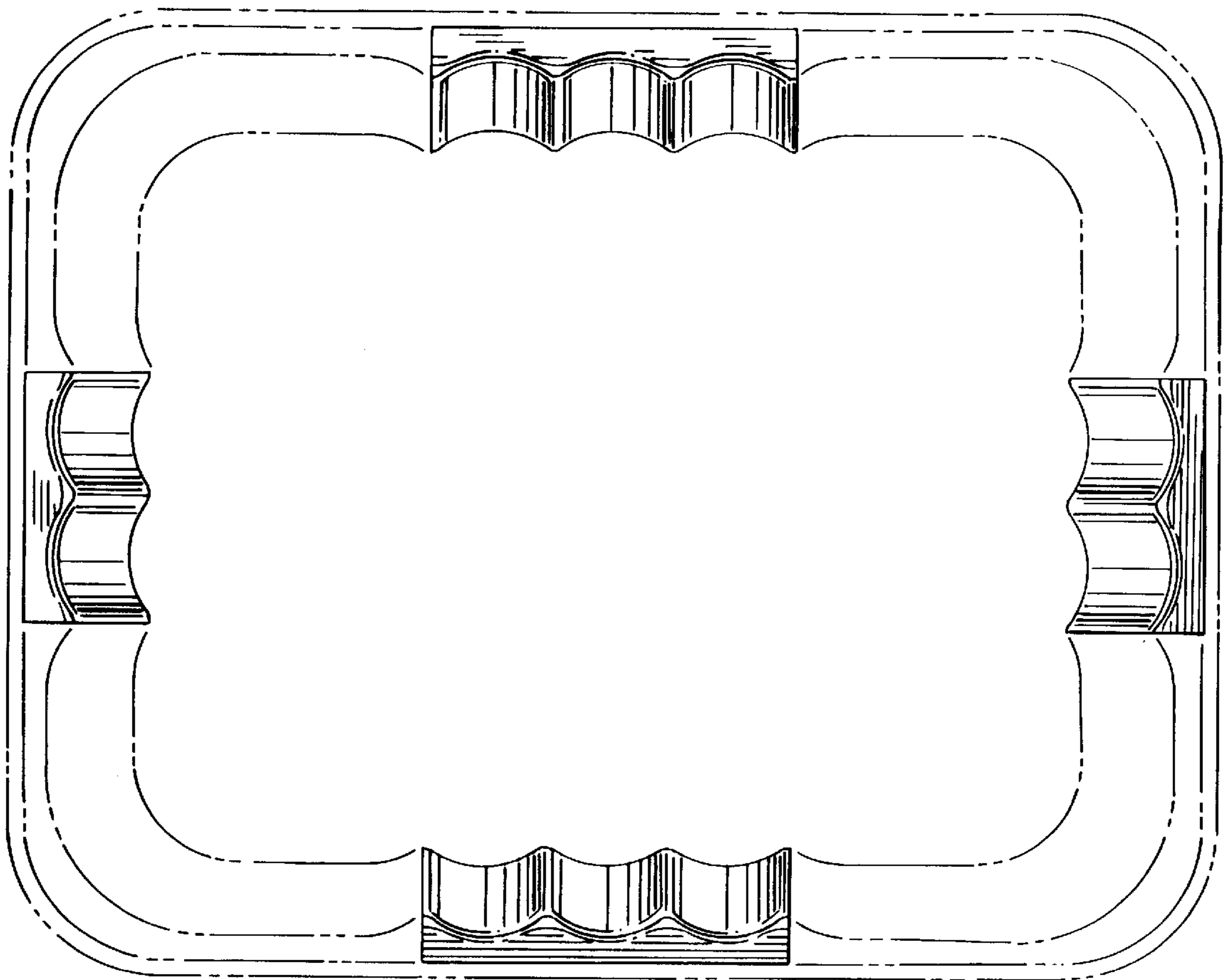


FIG. 5



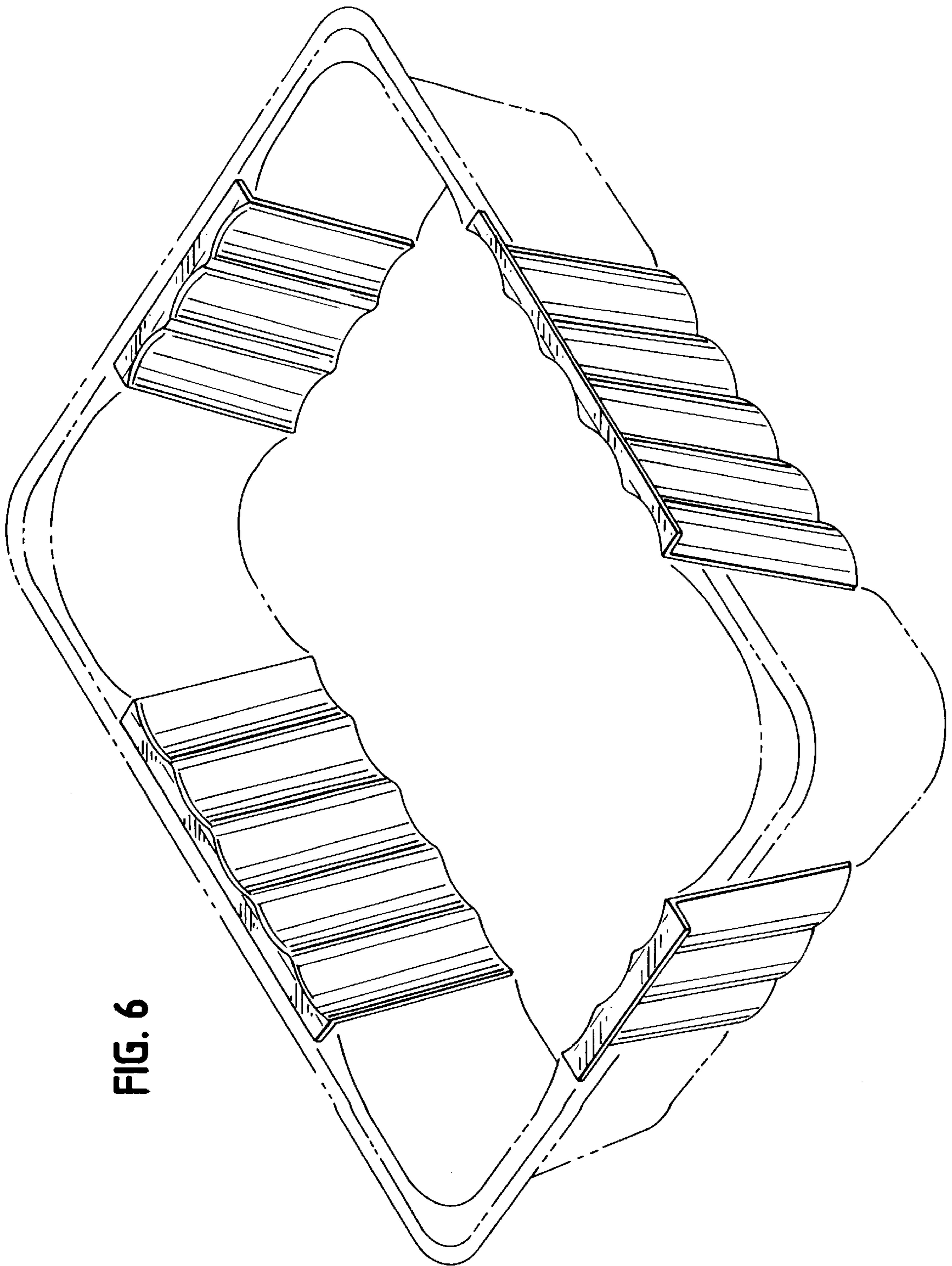


FIG. 6