

US00D430799S

# United States Patent [19] Ling

[11] Patent Number: **Des. 430,799**

[45] Date of Patent: **\*\* Sep. 12, 2000**

[54] **TOOL DISPLAY BOX**

[75] Inventor: **David Ling**, Taichung, Taiwan

[73] Assignee: **Hand Tool Design Corporation**,  
Wilmington, Del.

[\*\*] Term: **14 Years**

[21] Appl. No.: **29/107,224**

[22] Filed: **Jul. 1, 1999**

[51] **LOC (7) Cl.** ..... **09-07**

[52] **U.S. Cl.** ..... **D9/415**

[58] **Field of Search** ..... D9/415, 418, 341,  
D9/347, 451, 337; 206/461-471, 495, 806,  
234, 349, 372, 373, 376-379; D3/228,  
905

[56] **References Cited**

**U.S. PATENT DOCUMENTS**

- D. 334,534 4/1993 Friz et al. .... D9/415
- D. 394,806 6/1998 Budert ..... D9/415
- D. 403,150 12/1998 Diener et al. .... D3/228

- D. 412,438 8/1999 Kopala, Jr. .... D9/415
- D. 412,844 8/1999 Kopala, Jr. .... D9/415
- 5,447,232 9/1995 Chow ..... 206/372 X
- 5,598,924 2/1997 McCann ..... 206/372
- 5,730,303 3/1998 Chow ..... 206/372 X

*Primary Examiner*—Prabhakar Deshmukh  
*Attorney, Agent, or Firm*—Alan Kamrath; Oppenheimer  
Wolff & Donnelly LLP

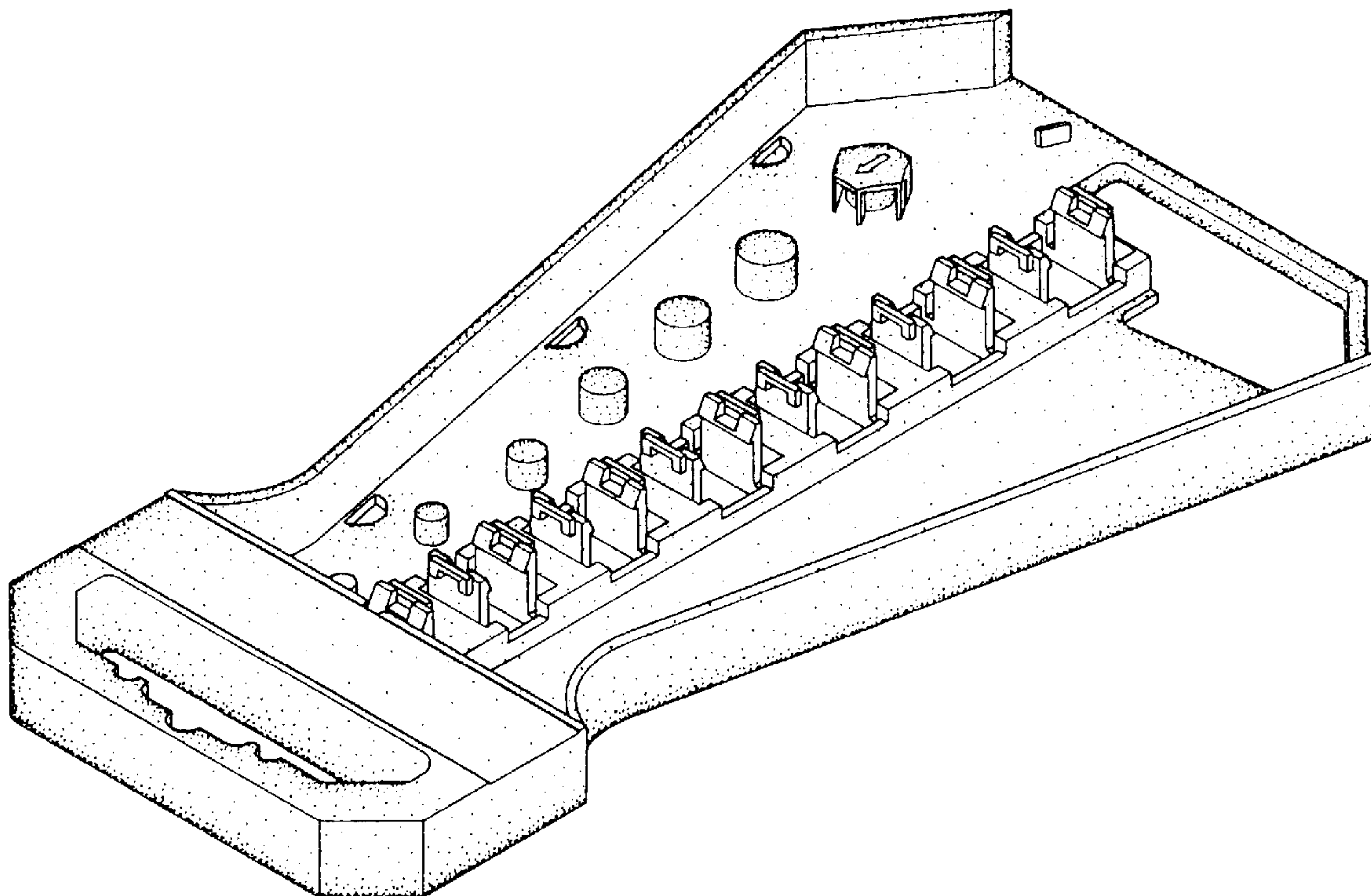
[57] **CLAIM**

The ornamental design for tool display box, as shown and described.

**DESCRIPTION**

FIG. 1 is a perspective view of a tool display box showing my new design;  
FIG. 2 is a front elevational view thereof;  
FIG. 3 is a rear elevational view thereof;  
FIG. 4 is a left elevational view thereof;  
FIG. 5 is a right elevational view thereof;  
FIG. 6 is a top plan view thereof; and,  
FIG. 7 is a bottom plan view thereof.

**1 Claim, 4 Drawing Sheets**



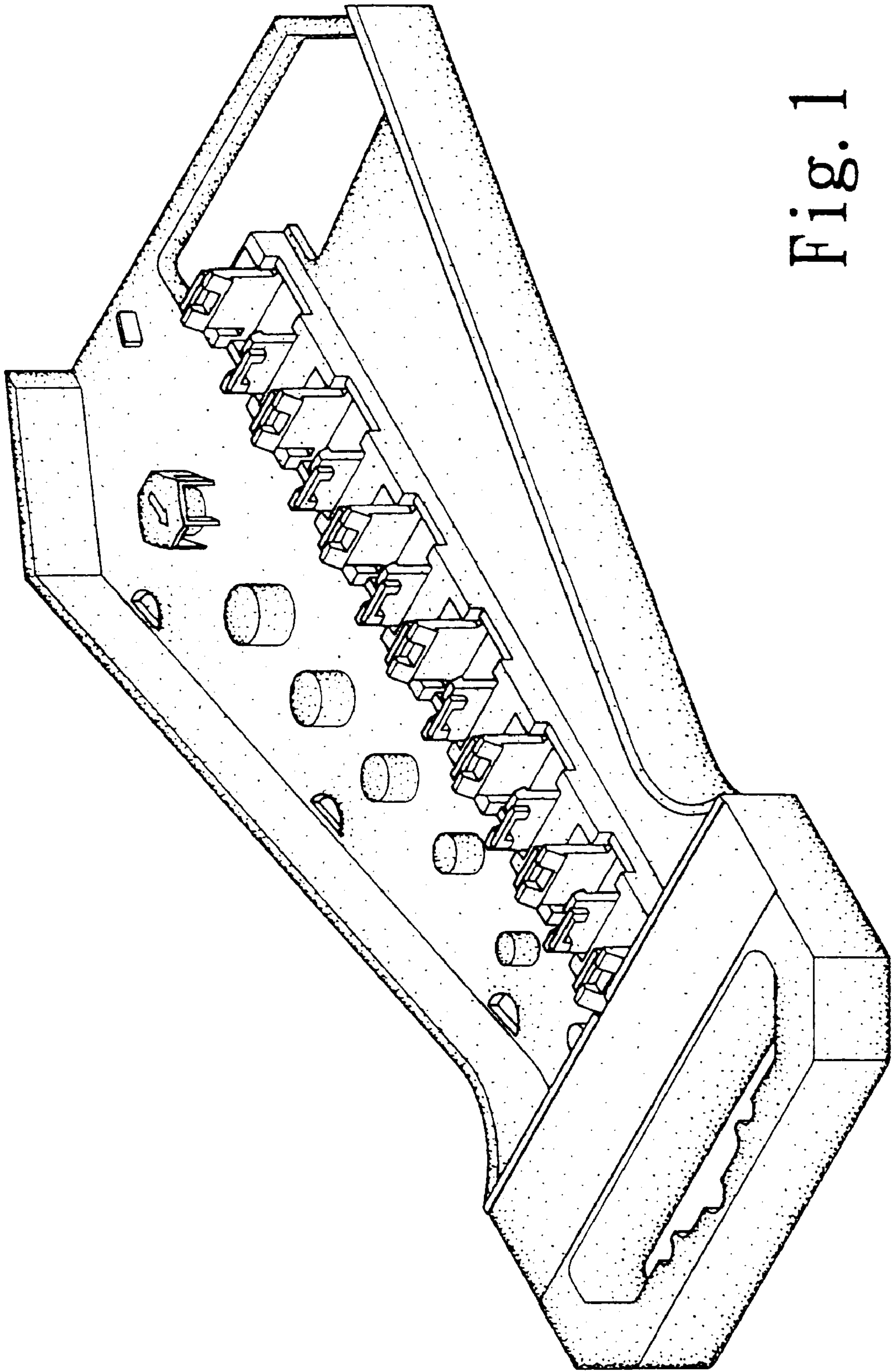


Fig. 1



Fig. 2

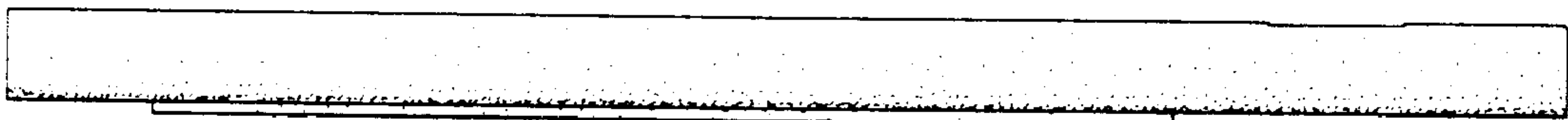


Fig. 3

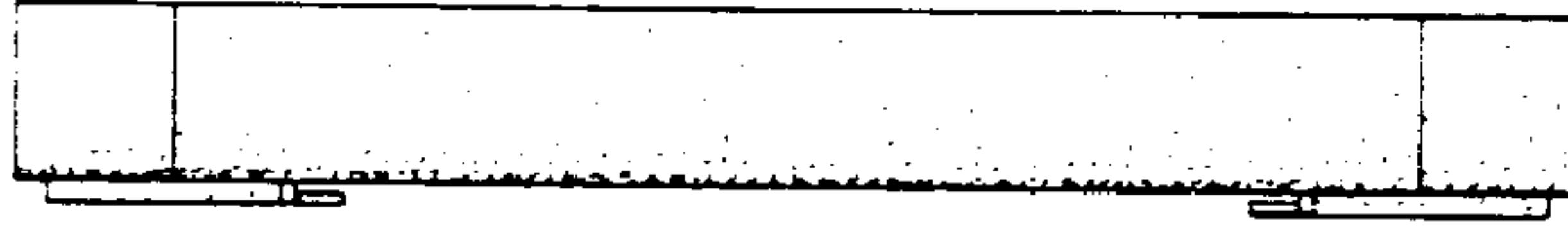


Fig. 4



Fig. 5

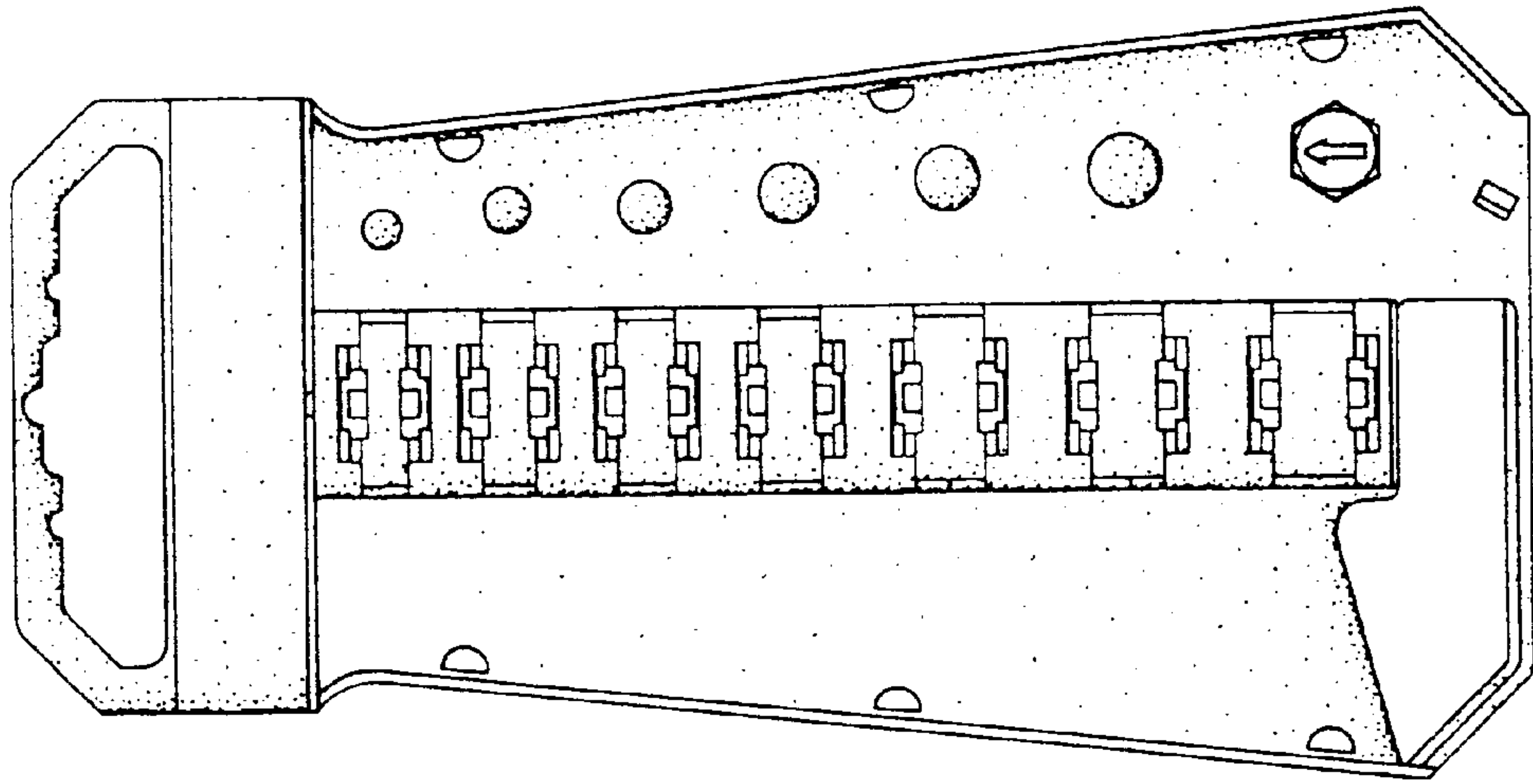


Fig. 6

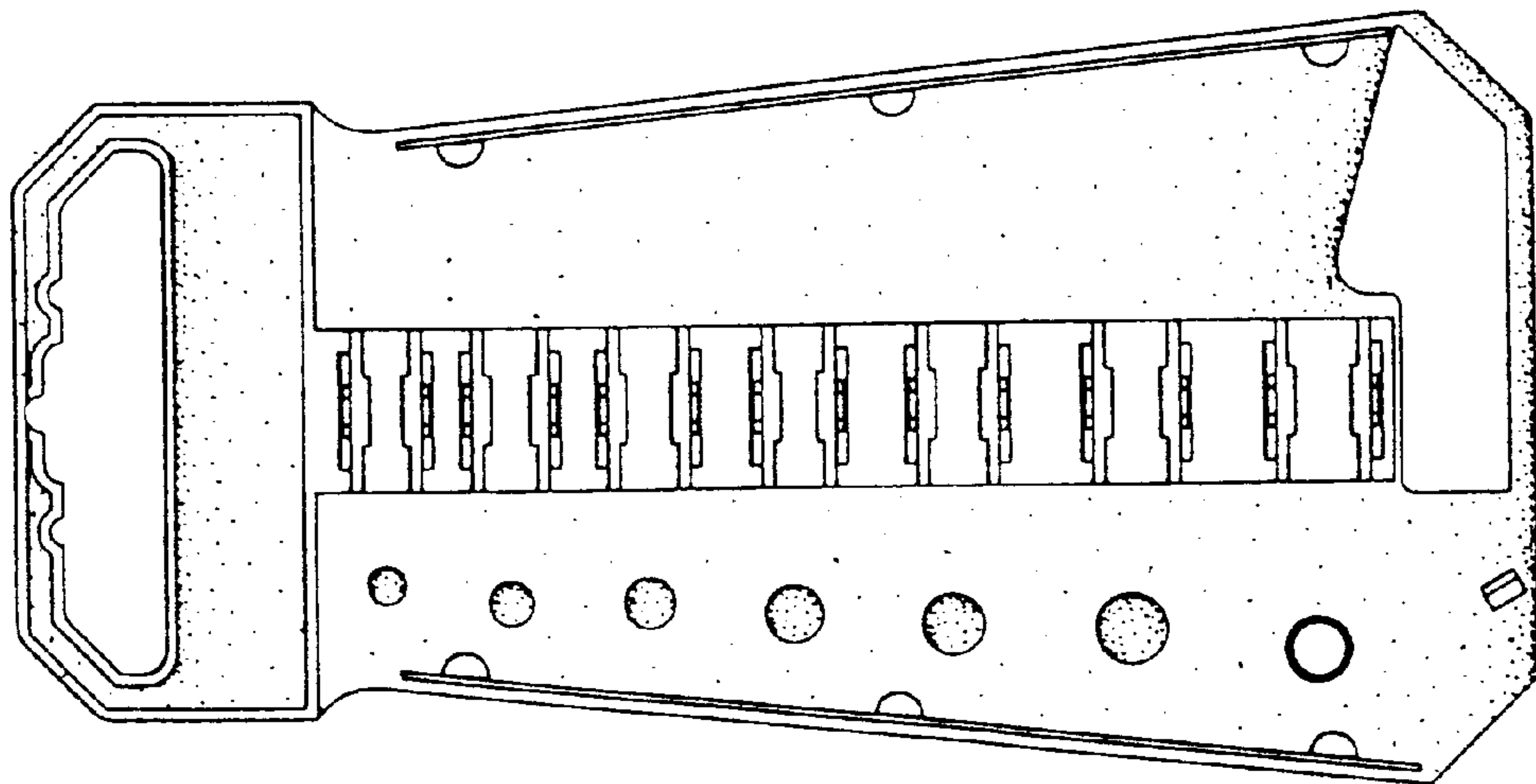


Fig. 7