



US00D430789S

United States Patent [19] Opperman

[11] Patent Number: Des. 430,789

[45] Date of Patent: ** Sep. 12, 2000

[54] ROOF GUARD RAIL SAFETY BRACKET

FOREIGN PATENT DOCUMENTS

[76] Inventor: **Ronald J. Opperman**, 641 Bennett St., Findlay, Ohio 45840

658134 10/1951 United Kingdom .
2027768 2/1980 United Kingdom .

[**] Term: **14 Years**

Primary Examiner—Holly Baynham
Attorney, Agent, or Firm—Richard C. Litman

[21] Appl. No.: **29/102,187**

[57] **CLAIM**

[22] Filed: **Mar. 19, 1999**

The ornamental design for a roof guard rail safety bracket, as shown and described.

[51] LOC (7) Cl. **08-05**

[52] U.S. Cl. **D8/363**

[58] Field of Search D8/349, 354; 248/231.71; 182/45, 113; 403/230; D25/62, 199

DESCRIPTION

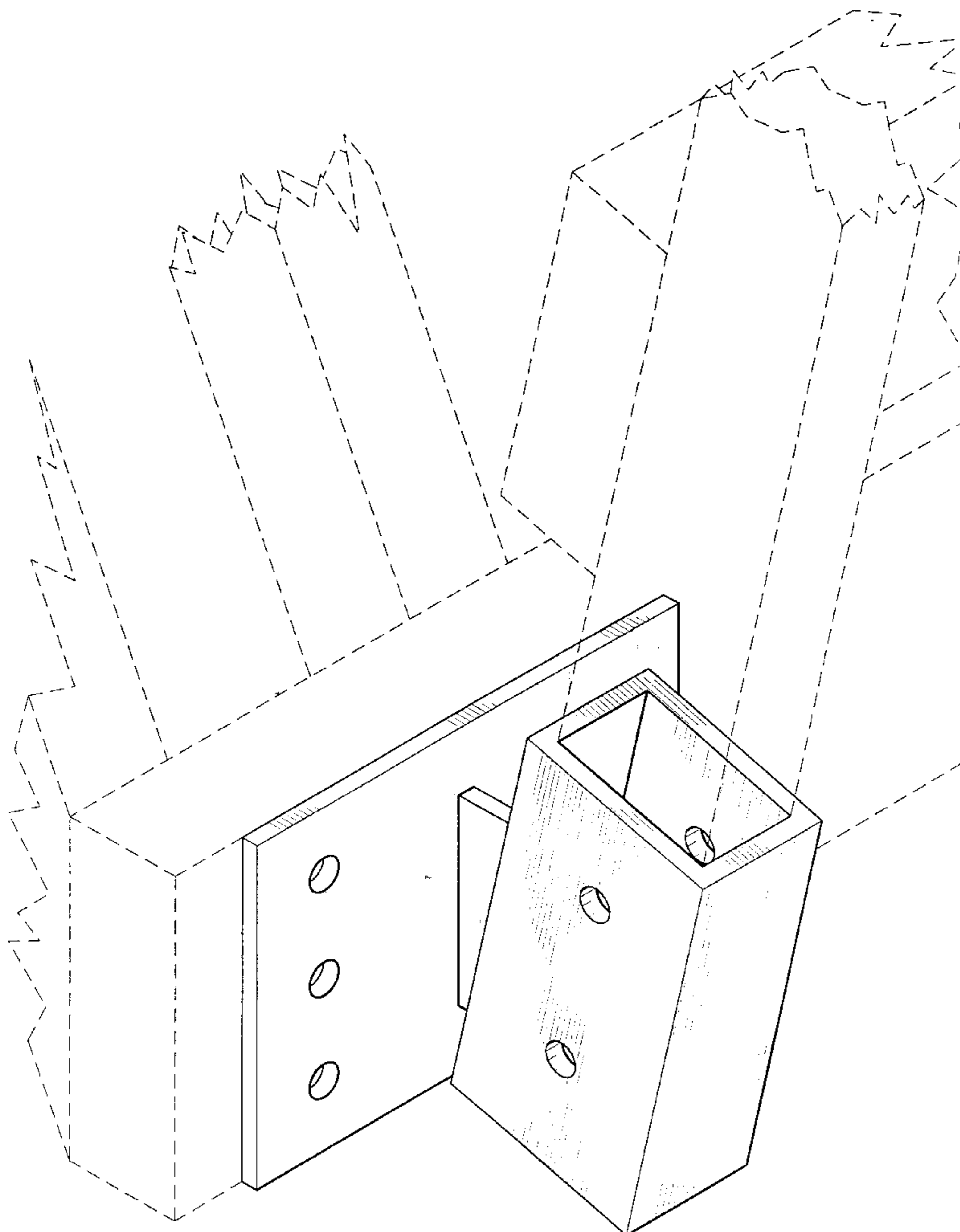
[56] **References Cited**

U.S. PATENT DOCUMENTS

- D. 331,529 12/1992 Reinklou .
- D. 377,751 2/1997 Koebbe .
- 3,615,110 10/1971 Fugate .
- 4,830,341 5/1989 Arteau et al. .
- 5,269,394 12/1993 Haroldson, Sr. .
- 5,314,167 5/1994 Holloman .
- 5,558,312 9/1996 Brennan .
- 5,573,227 11/1996 Hemauer et al. .
- 5,727,646 3/1998 Gray 182/45

FIG. 1 is an environmental perspective view of a roof guard rail safety bracket showing my new design; FIG. 2 is a front elevational view thereof; FIG. 3 is a rear elevational view thereof; FIG. 4 is a left side elevational view with the right side being a mirror image thereof; FIG. 5 is a top view thereof; and, FIG. 6 is a bottom view thereof. The broken line showing of a partial house roof and a partial guard rail is for illustrative purposes only and forms no part of the claimed design.

1 Claim, 6 Drawing Sheets



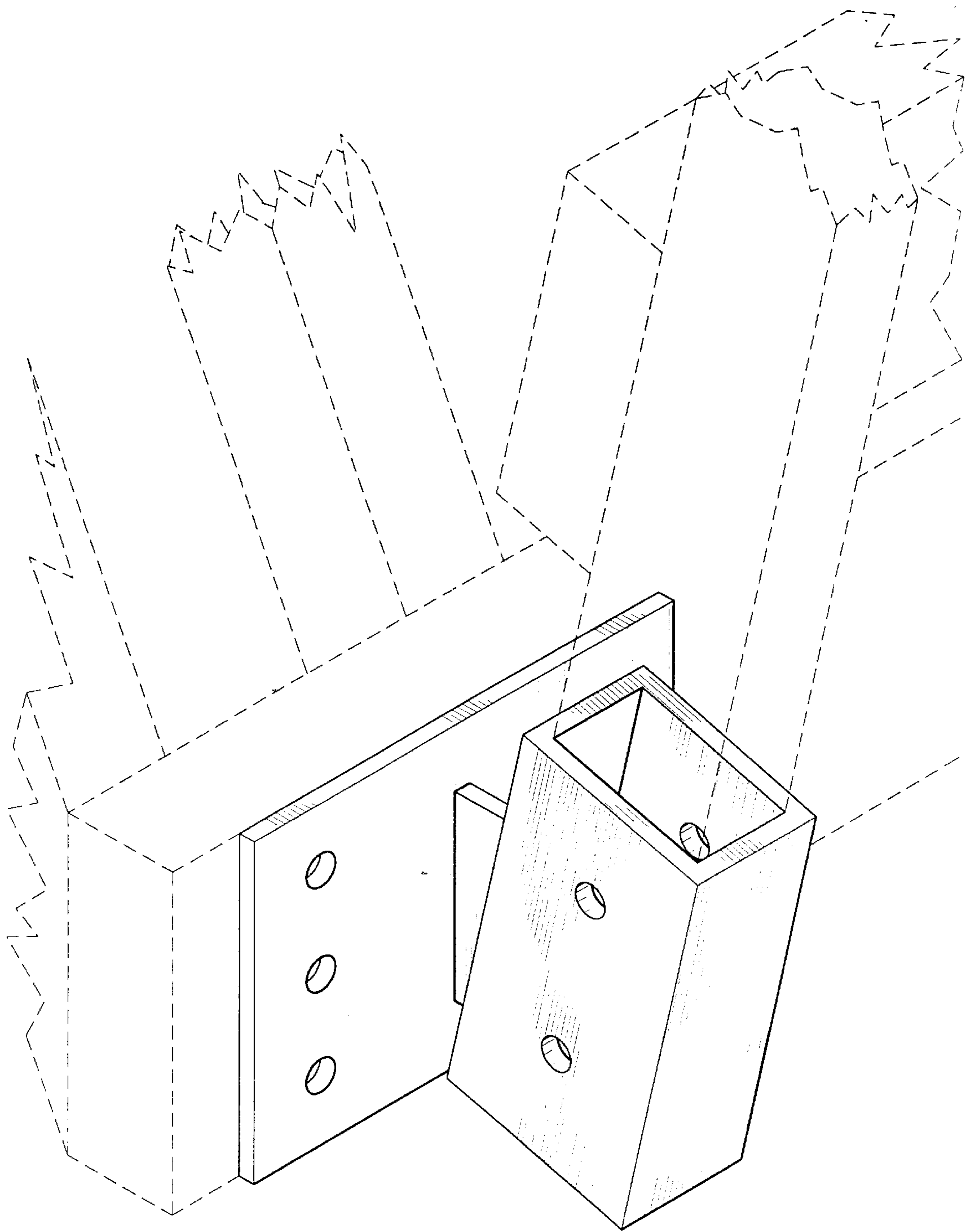


Fig. 1

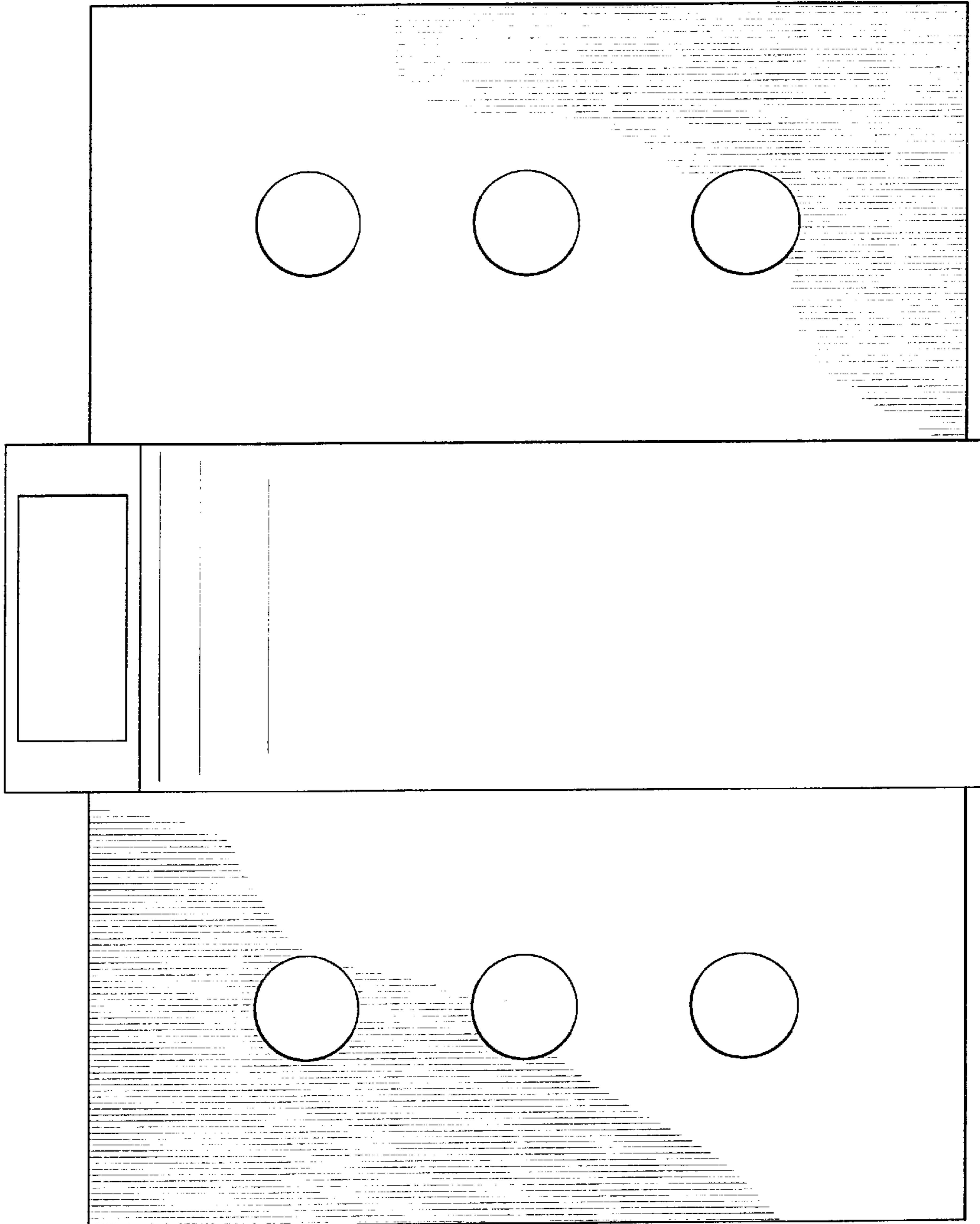


Fig. 2

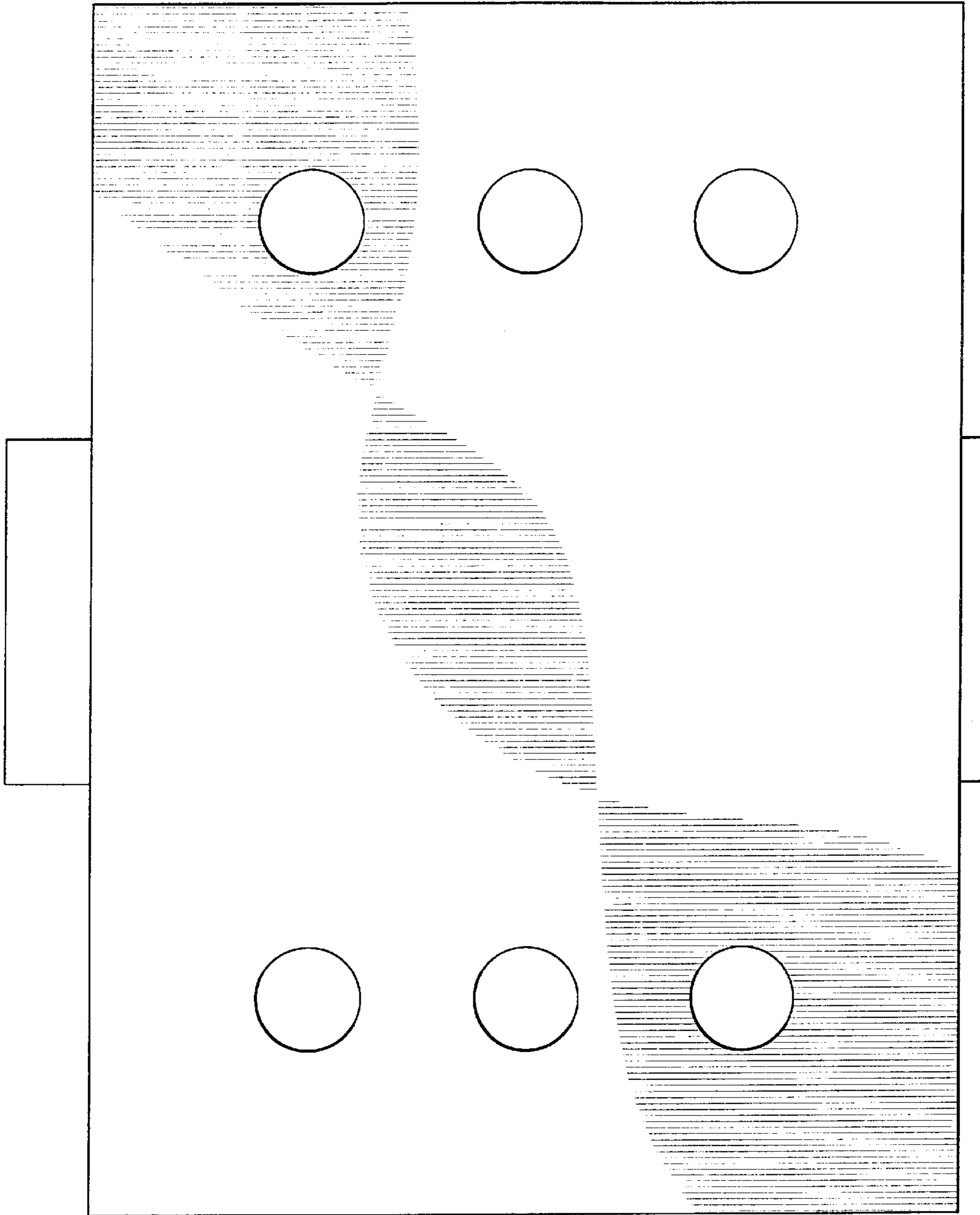


Fig. 3

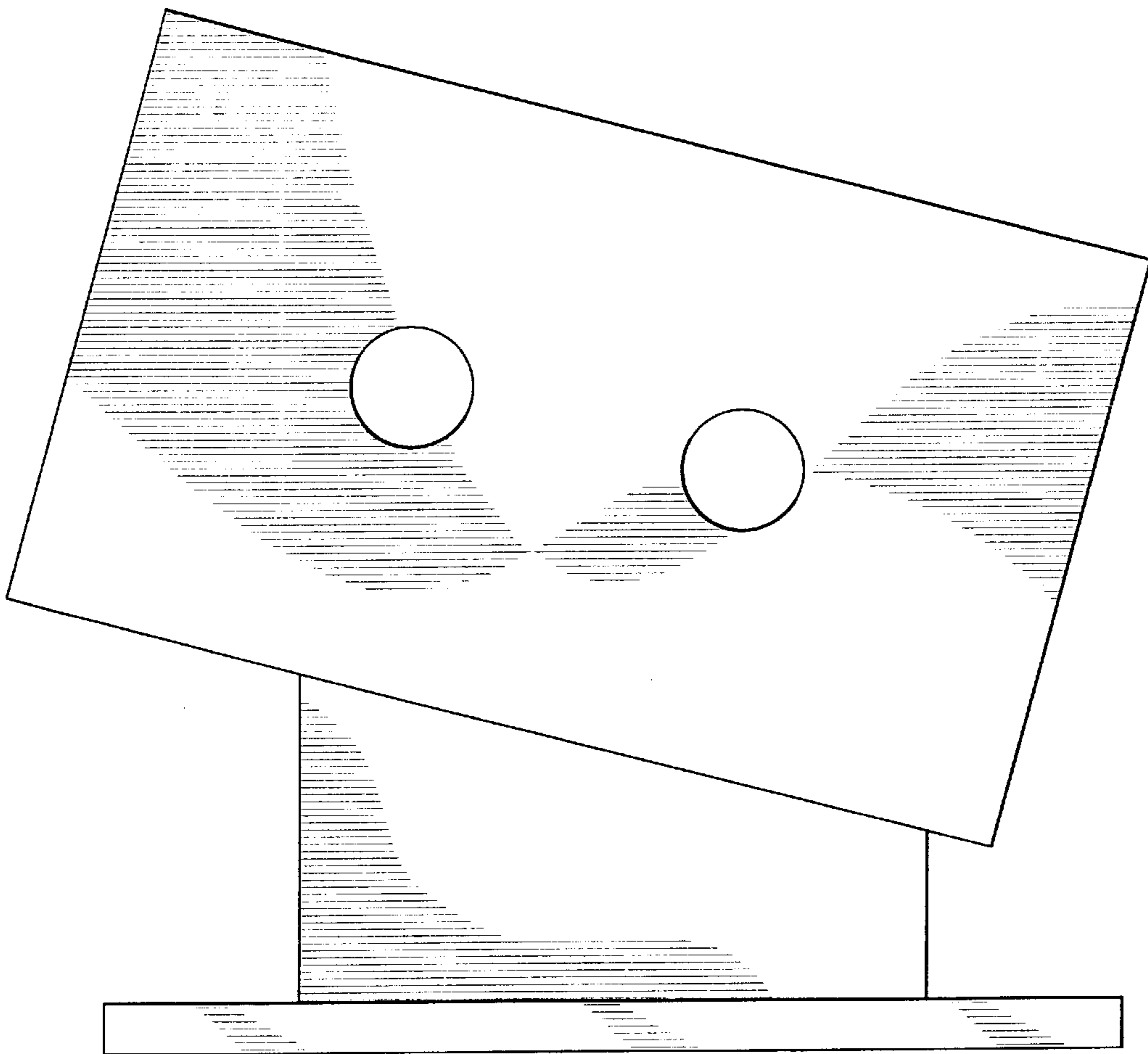


Fig. 4

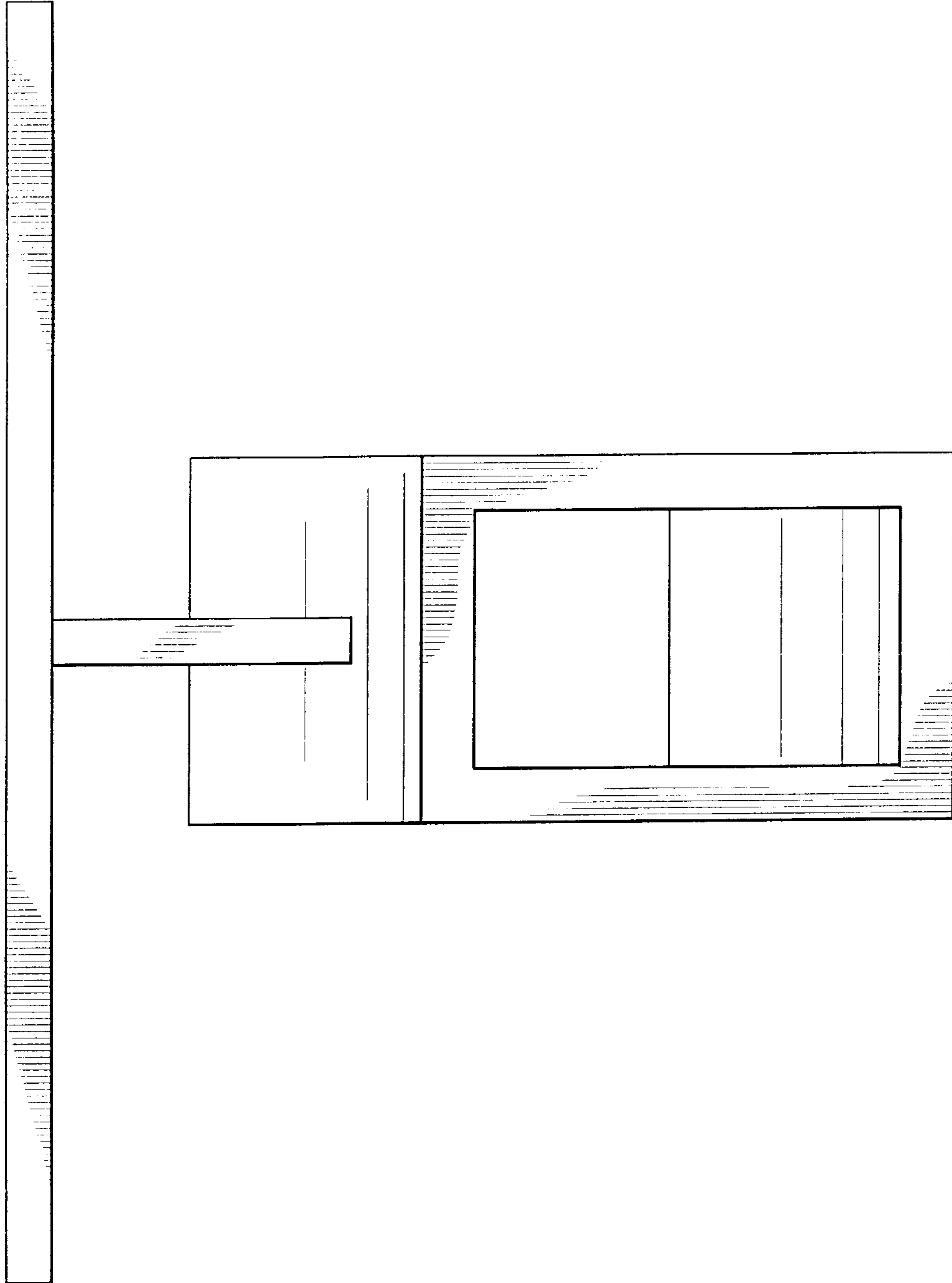


Fig. 5

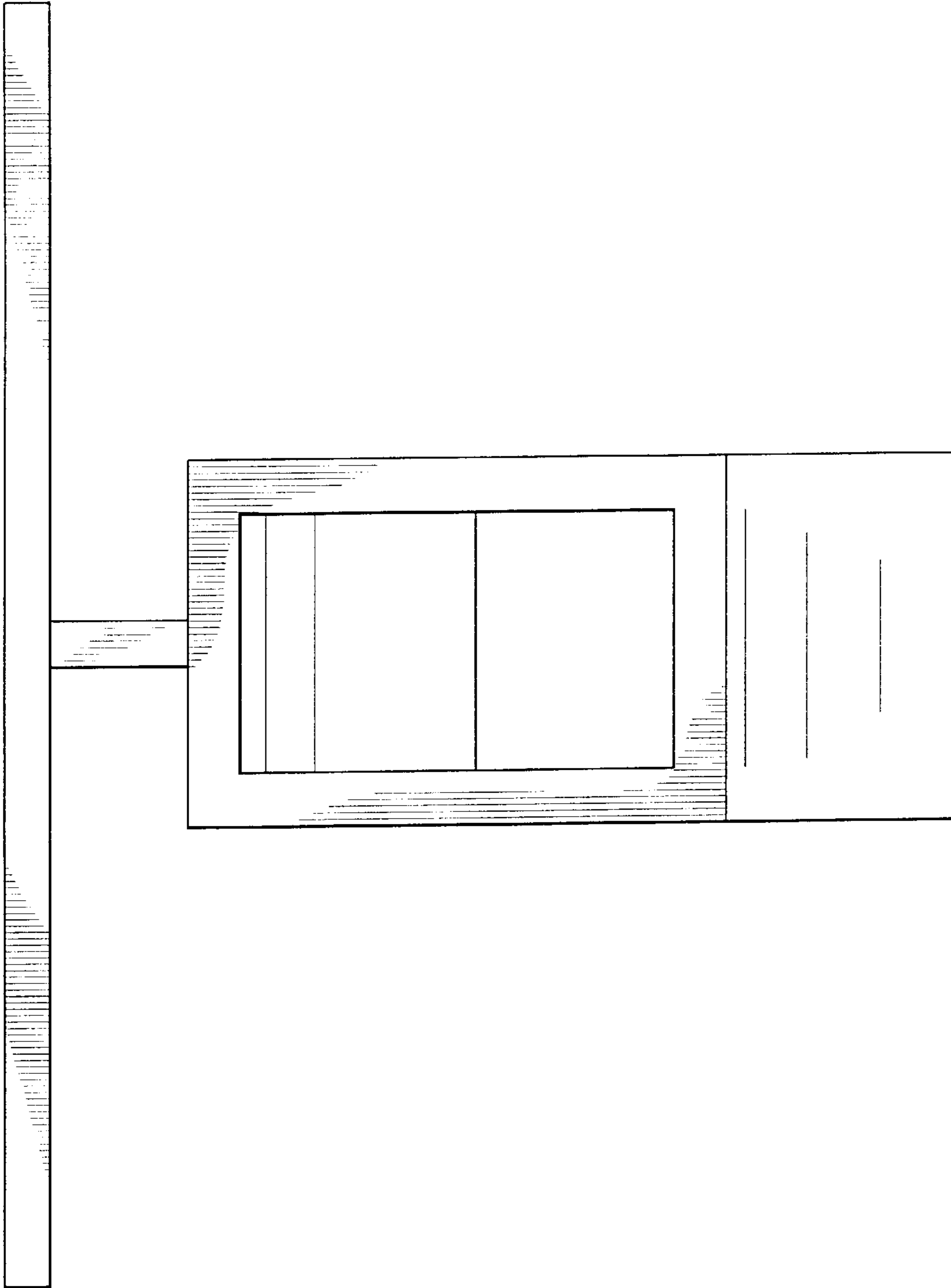


Fig. 6