



US00D430784S

United States Patent [19] Shiao

[11] **Patent Number: Des. 430,784**

[45] **Date of Patent: ** Sep. 12, 2000**

[54] **SCREW DRIVER**

[76] Inventor: **Hsuan-Sen Shiao**, No. 15-1, Lane 369,
Min-Chuan Rd., Taichung City, Taiwan

[**] Term: **14 Years**

[21] Appl. No.: **29/112,968**

[22] Filed: **Oct. 28, 1999**

[51] **LOC (7) Cl. 08-04**

[52] **U.S. Cl. D8/82; D8/83; D8/87**

[58] **Field of Search D8/82, 83, 84,
D8/85, 86, 87; 362/119, 120; 81/177.1,
488, 436, 437, 438, 439; 7/165**

[56] **References Cited**

U.S. PATENT DOCUMENTS

- D. 278,027 3/1985 Tang D8/82
- D. 379,750 6/1997 Thompson et al. D8/83
- D. 404,277 1/1999 Shiao D8/83

- D. 412,096 7/1999 Kung et al. D8/87
- D. 413,782 9/1999 Krapowicz D8/82
- 5,713,656 2/1998 Lin 362/120

Primary Examiner—Philip S. Hyder
Attorney, Agent, or Firm—Greenblum & Bernstein, P.L.C.

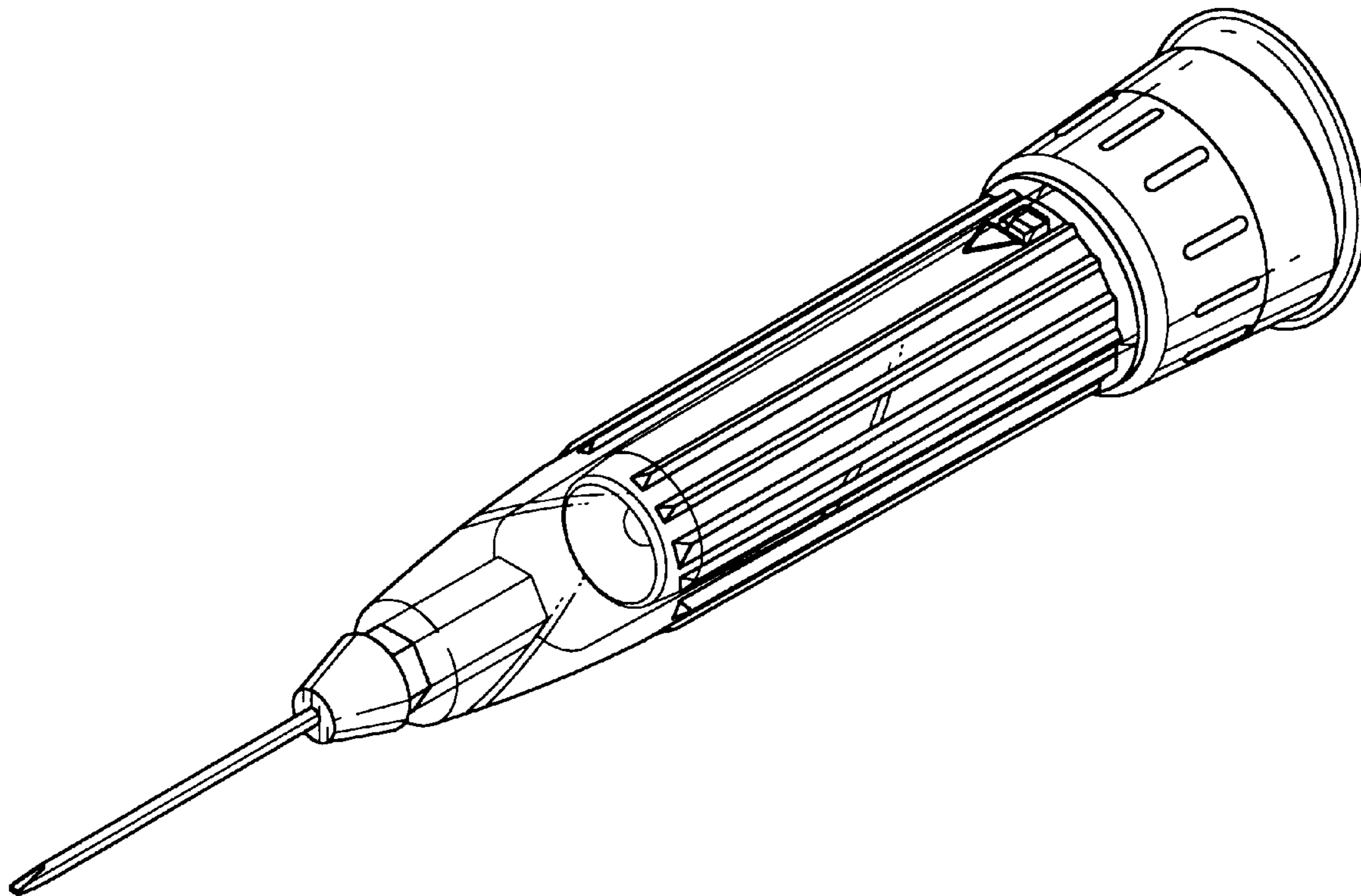
[57] **CLAIM**

The ornamental design for a screw driver, as shown and described.

DESCRIPTION

FIG. 1 is a perspective view of a screw driver showing my new design;
FIG. 2 is a front elevational view thereof;
FIG. 3 is a rear elevational view thereof;
FIG. 4 is a left side elevational view thereof;
FIG. 5 is a right side elevational view thereof;
FIG. 6 is a top plan view thereof; and,
FIG. 7 is a bottom plan view thereof.

1 Claim, 4 Drawing Sheets



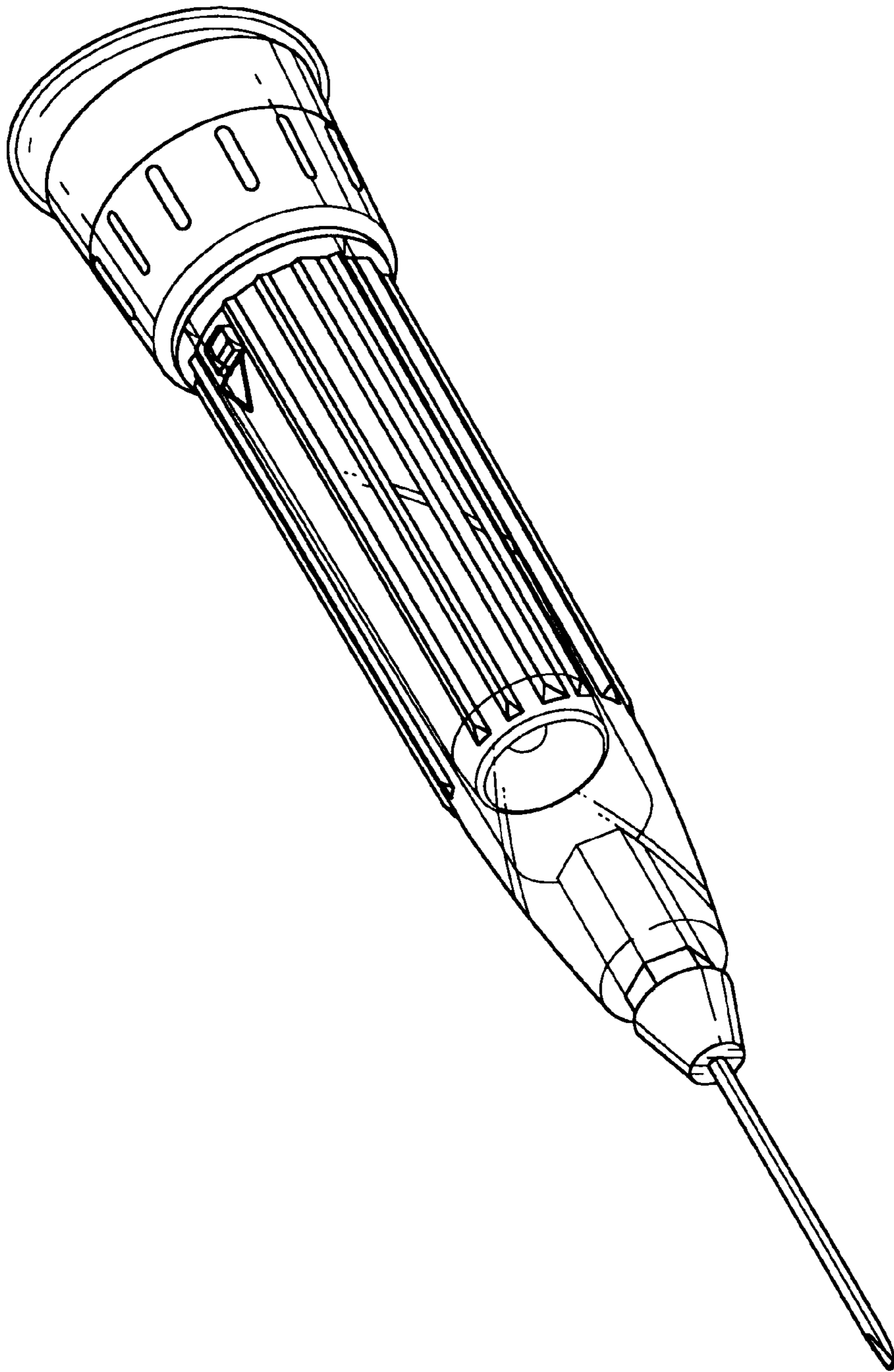


FIG. 1

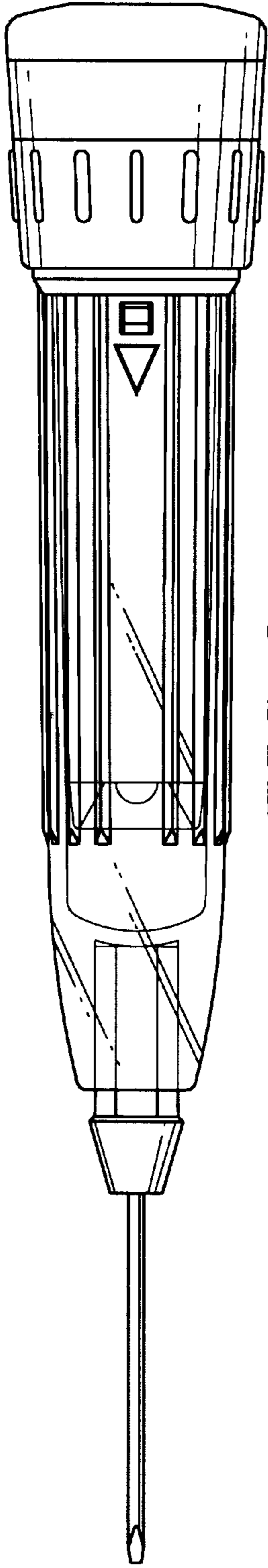


FIG. 2

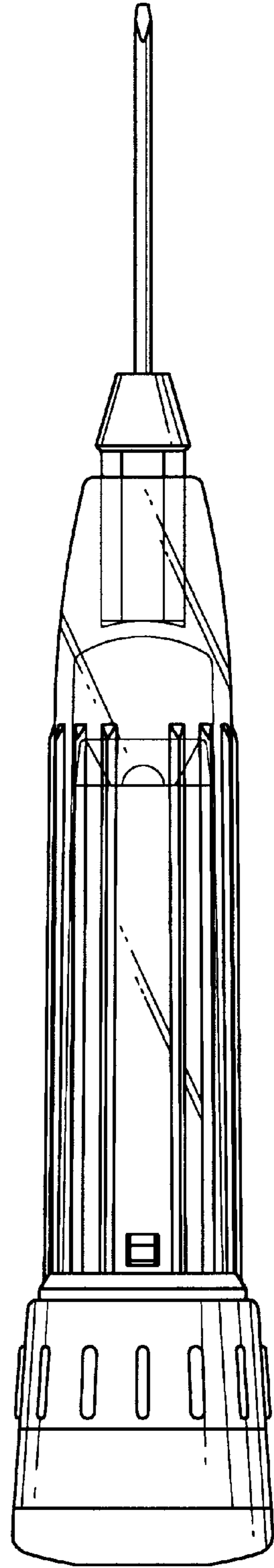


FIG. 3

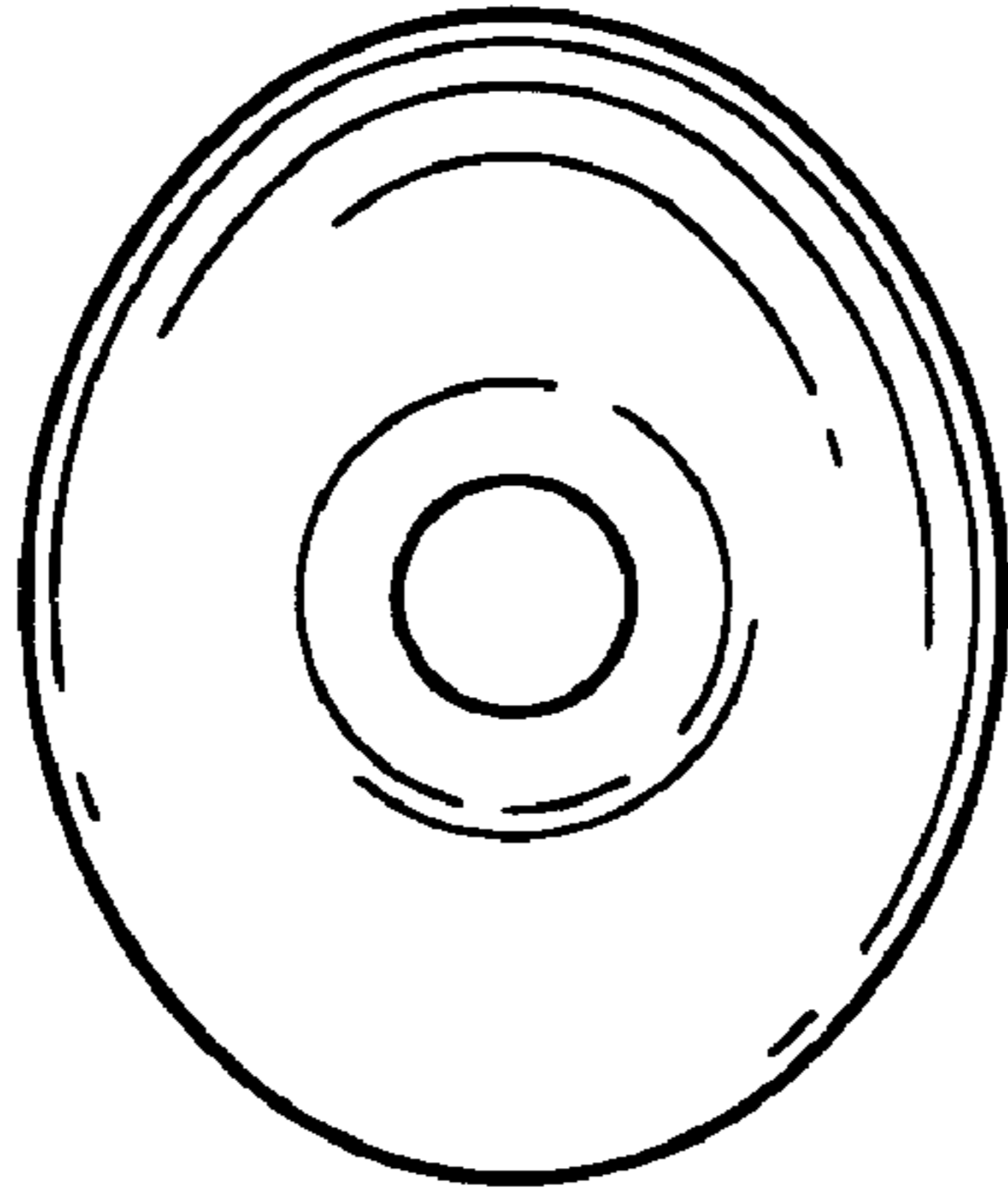


FIG. 5

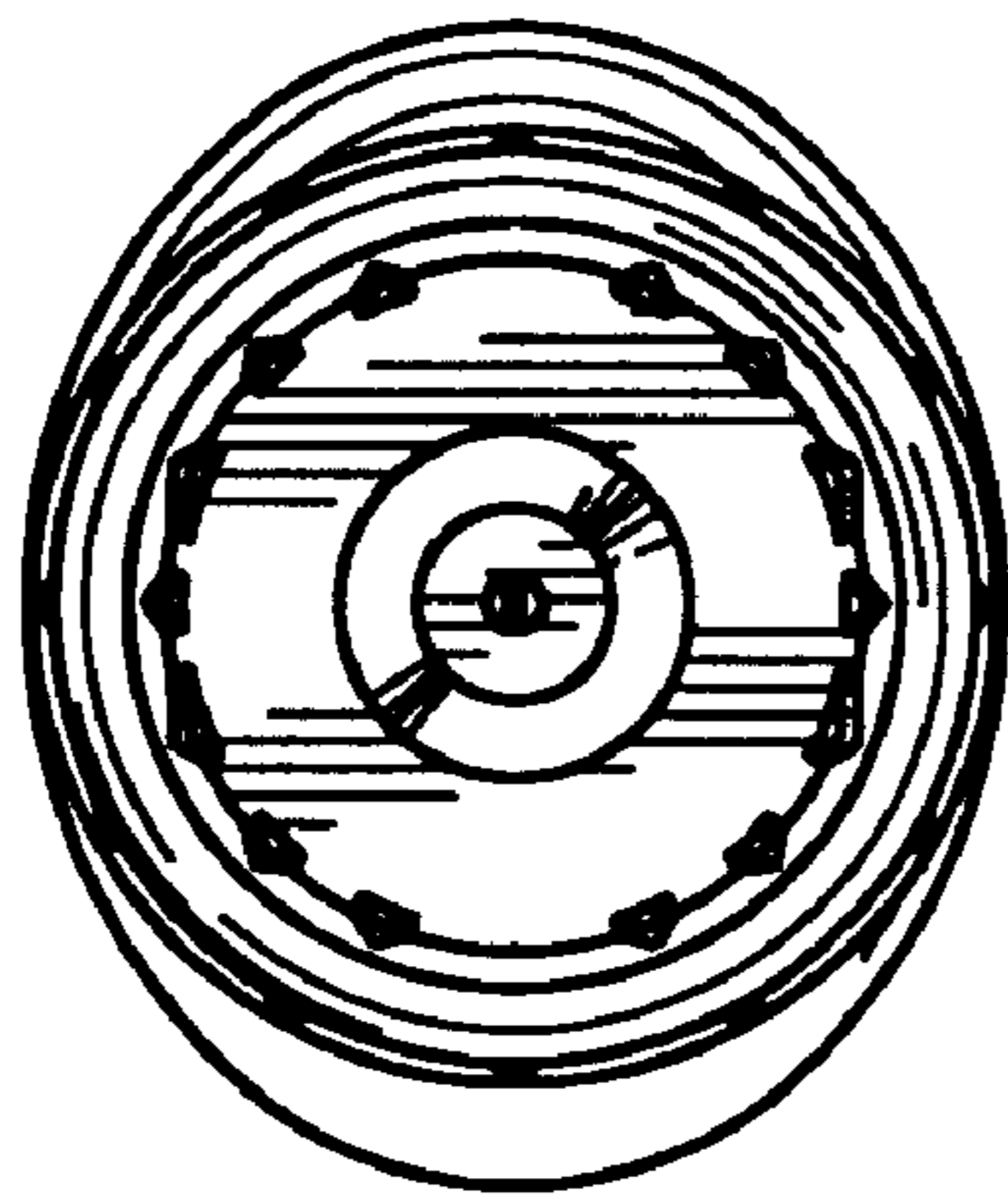


FIG. 4

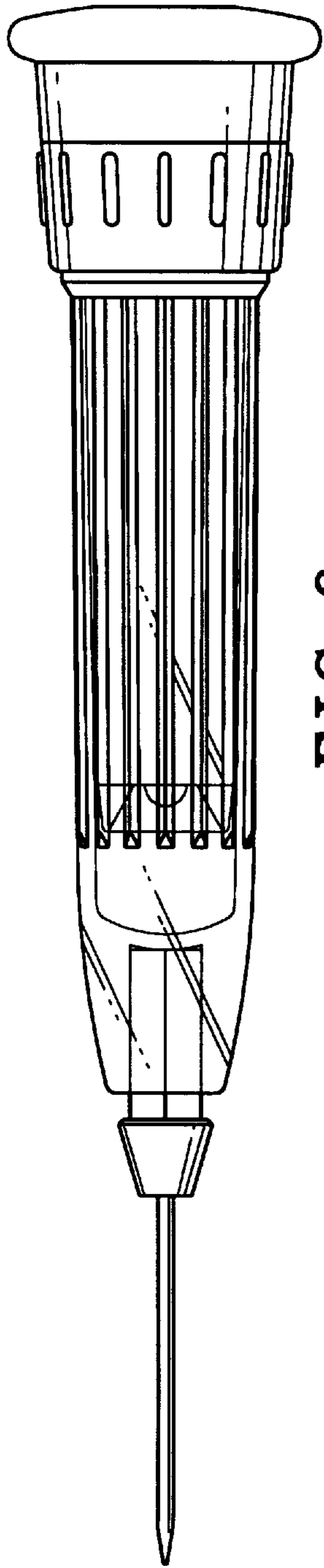


FIG. 6

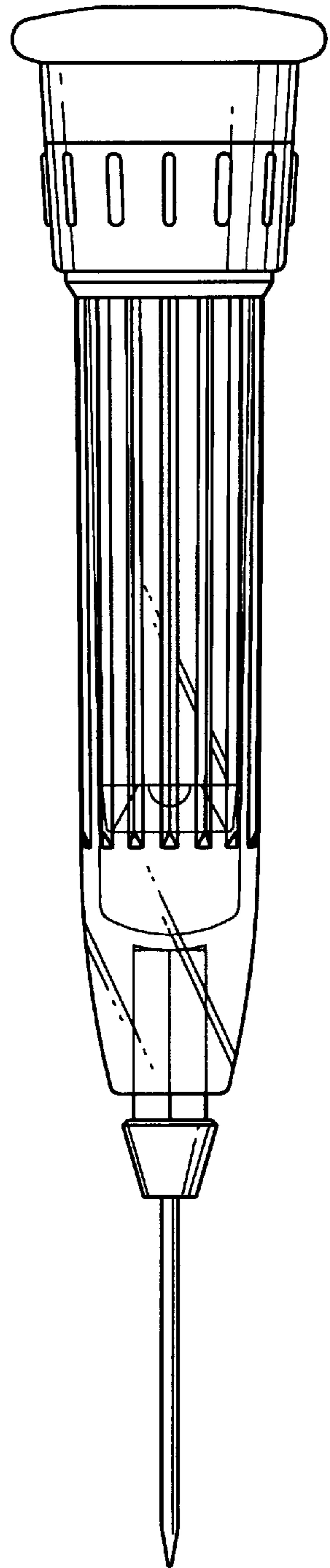


FIG. 7