



US00D430783S

United States Patent [19] Cummings

[11] **Patent Number: Des. 430,783**

[45] **Date of Patent: ** Sep. 12, 2000**

[54] **CLAMP**

[76] Inventor: **David S. Cummings**, 352 Mirick Rd.,
Princeton, Mass. 01541

[**] Term: **14 Years**

[21] Appl. No.: **29/114,716**

[22] Filed: **Nov. 30, 1999**

[51] **LOC (7) Cl. 08-05**

[52] **U.S. Cl. D8/72**

[58] **Field of Search** D8/71-74, 394;
D15/140; 72/311, 325, 412, 457, 497, 705;
269/90, 95, 114, 160, 243, 251; 294/116

[56] **References Cited**

U.S. PATENT DOCUMENTS

- D. 300,748 4/1989 Jarman et al. D15/140
- D. 350,683 9/1994 Tessman D8/72
- D. 356,721 3/1995 Tessman D8/72

- D. 356,722 3/1995 Tessman D8/72
- 4,037,456 7/1977 Jarman 72/325
- 4,988,031 1/1991 Jordan 72/412 X
- 5,967,888 10/1999 Lawhun 269/243 X

Primary Examiner—Nanda Bondade
Attorney, Agent, or Firm—Blodgett & Blodgett, P.C.

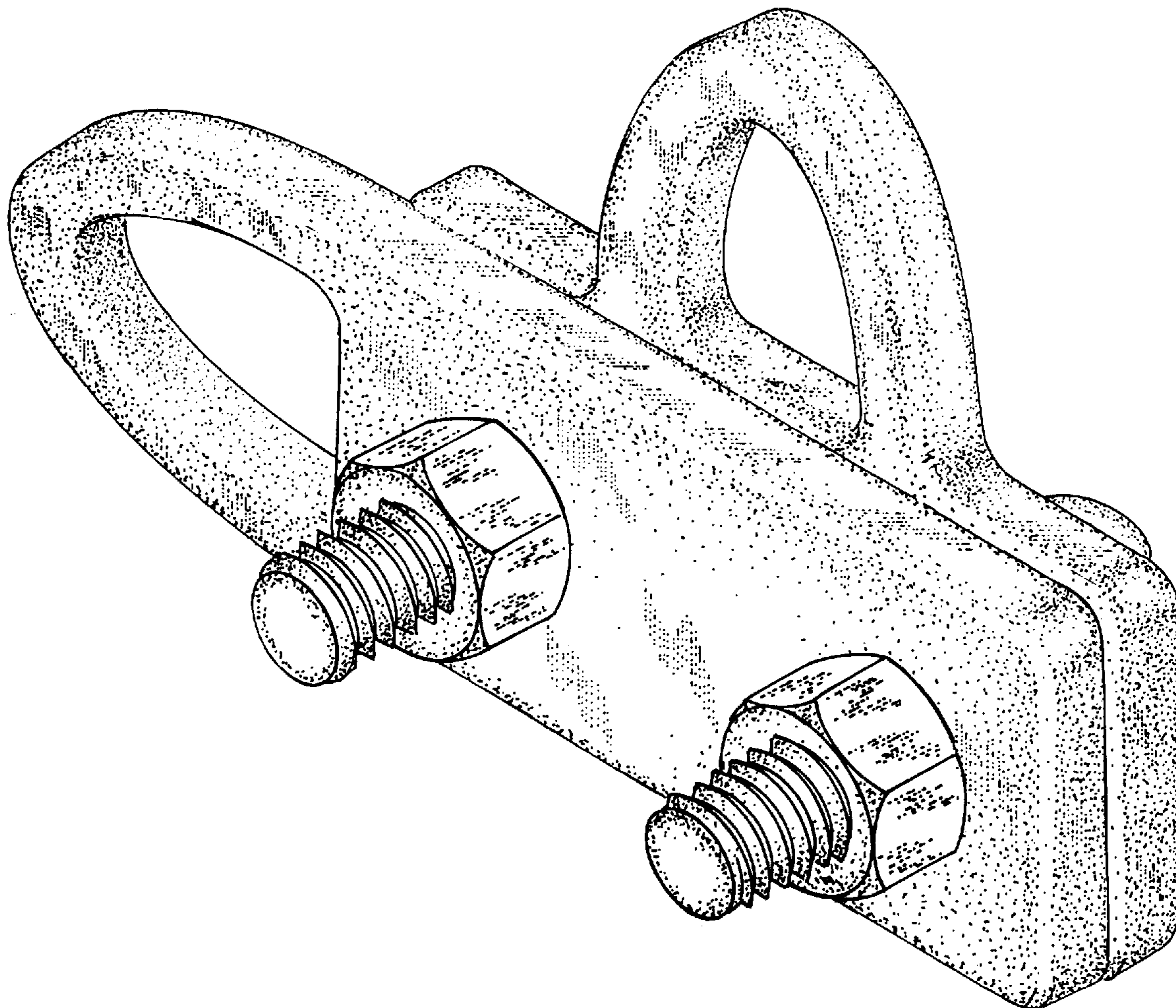
[57] **CLAIM**

The ornamental design for a clamp, as shown and described.

DESCRIPTION

FIG. 1 is a isometric view of a clamp showing my new design;
FIG. 2 is a top plan view thereof;
FIG. 3 is a bottom plan view thereof;
FIG. 4 is a front elevational view thereof;
FIG. 5 is a rear elevational view thereof;
FIG. 6 is a right side elevational view thereof; and,
FIG. 7 is a left side elevational view thereof.

1 Claim, 6 Drawing Sheets



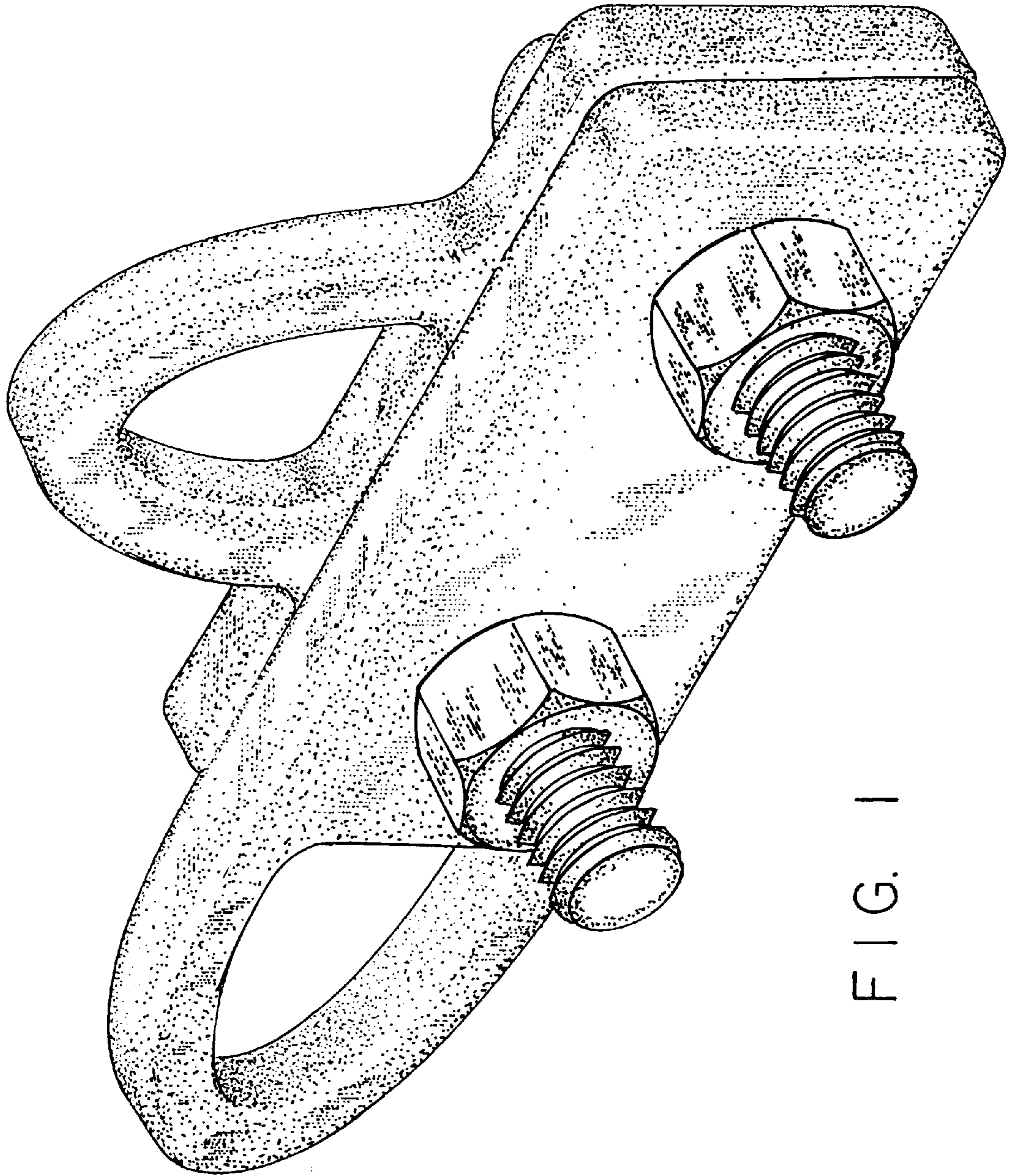


FIG. 1

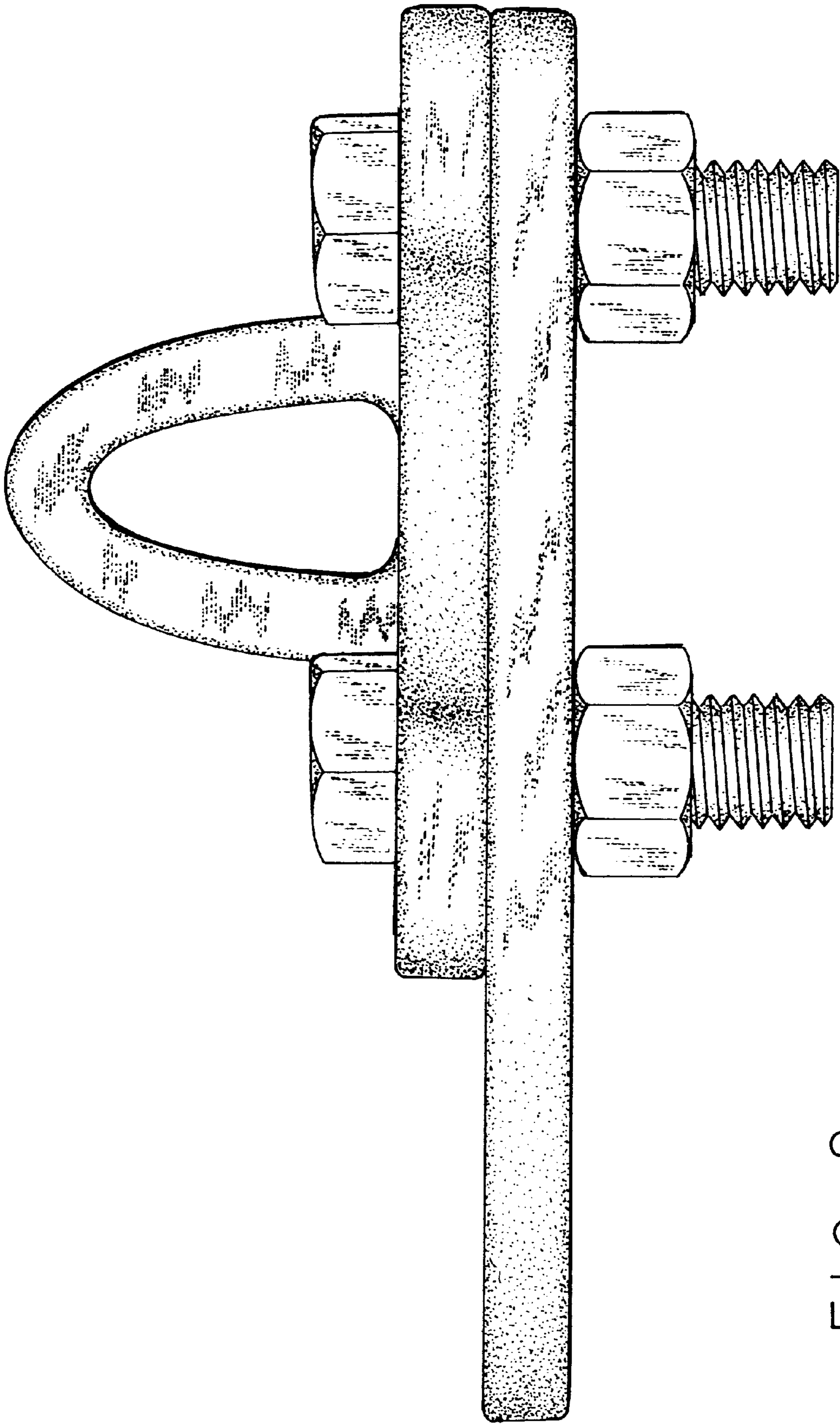


FIG. 2

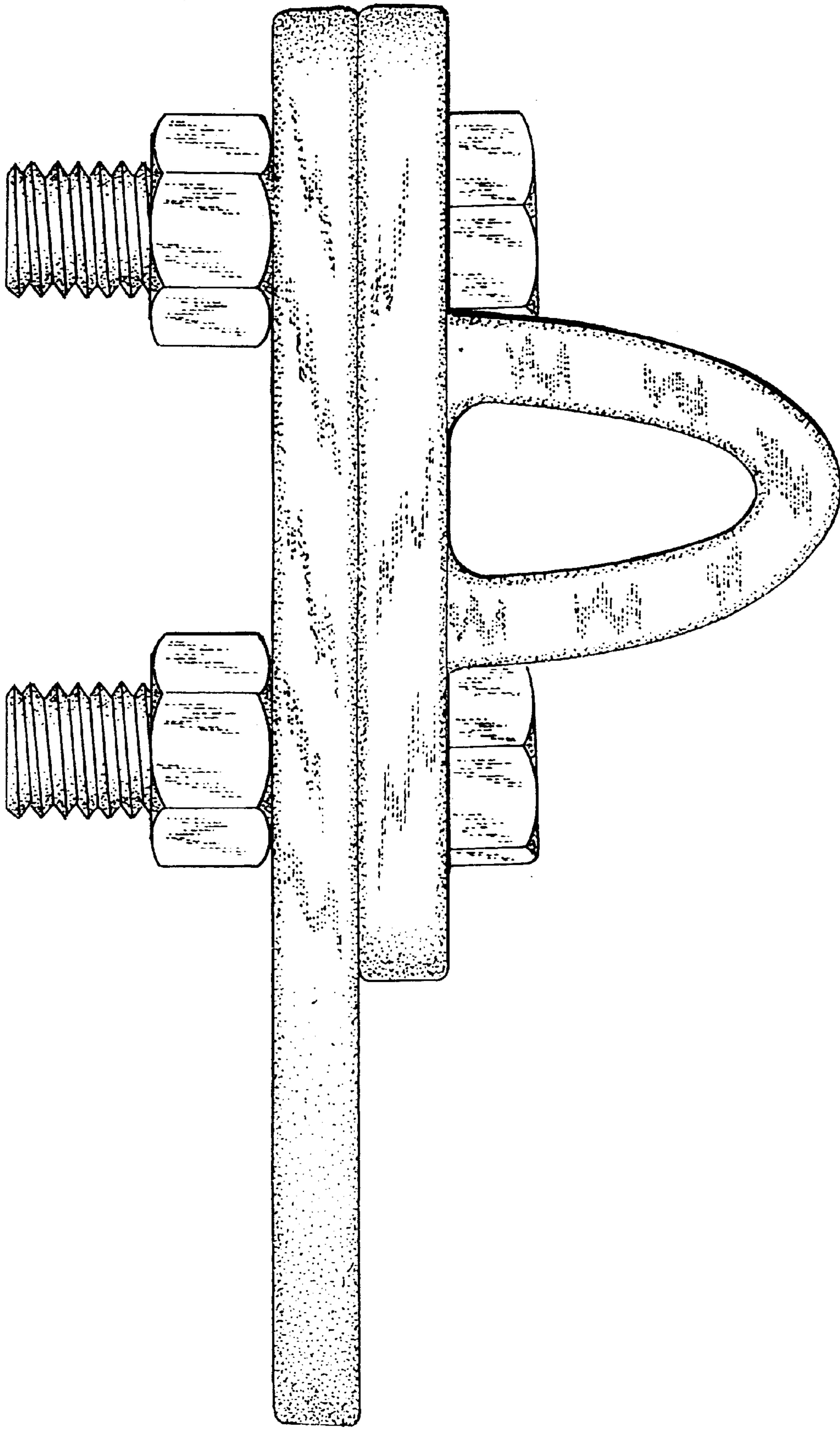


FIG. 3

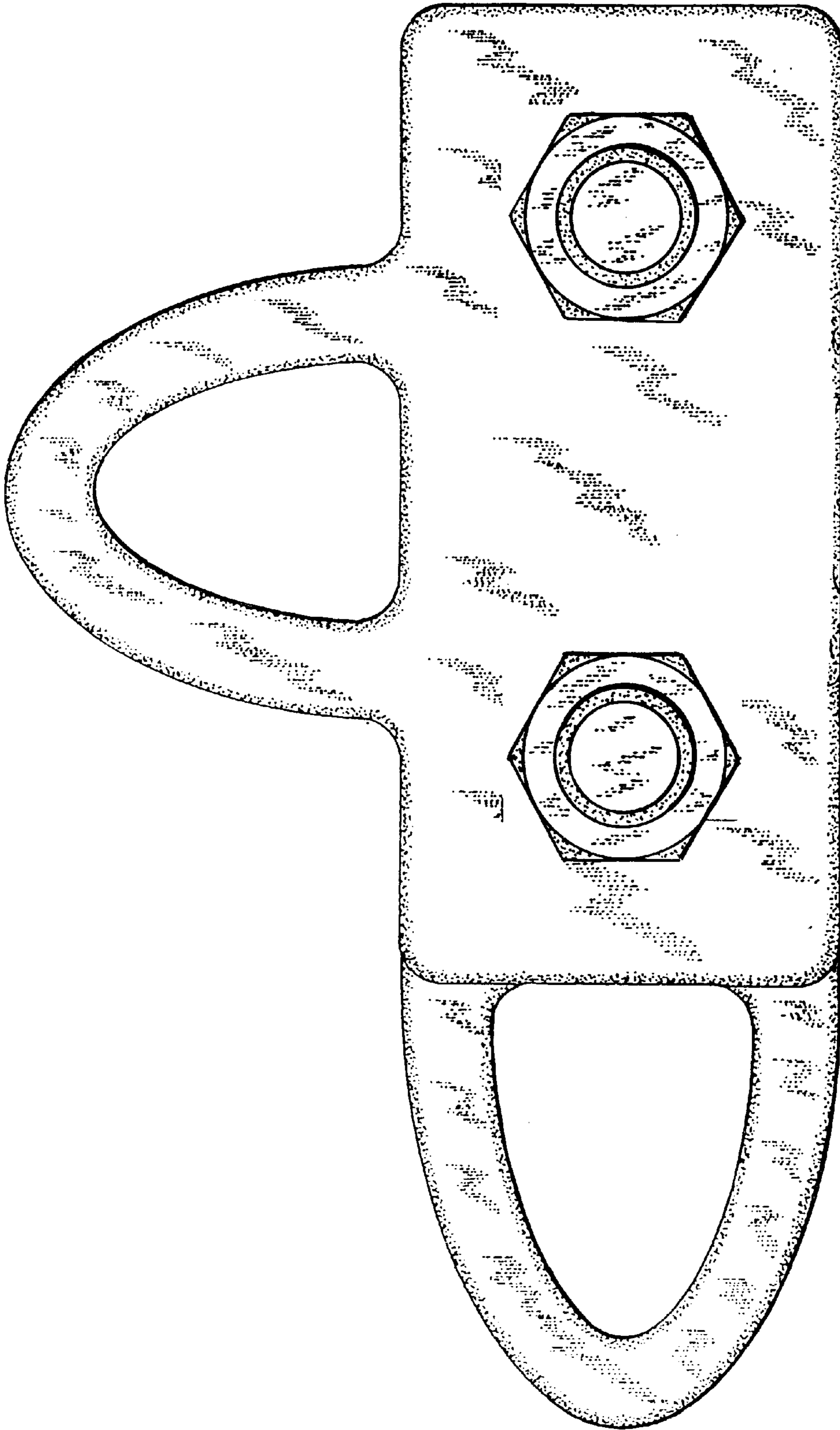


FIG. 4

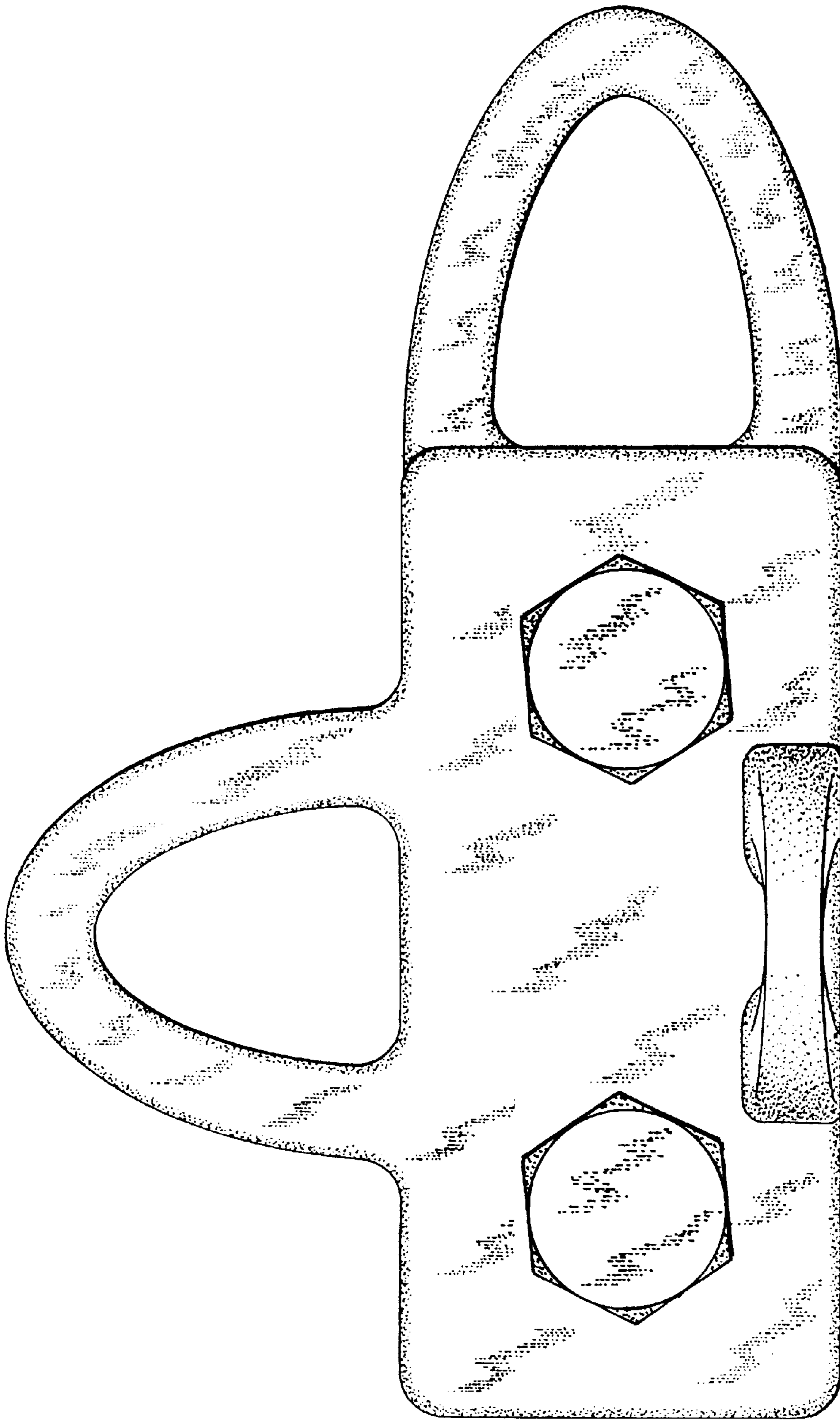


FIG. 5

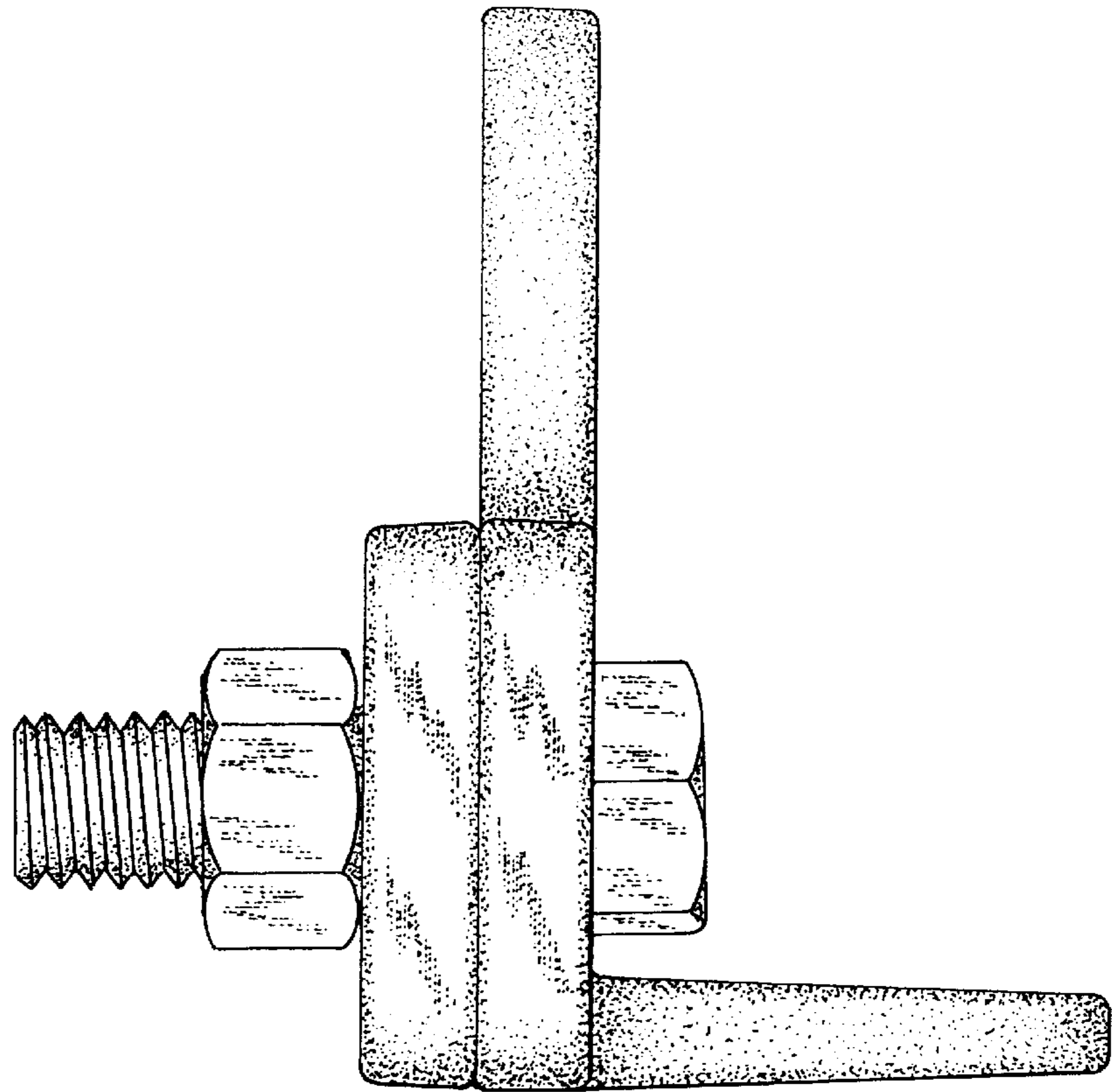


FIG. 6

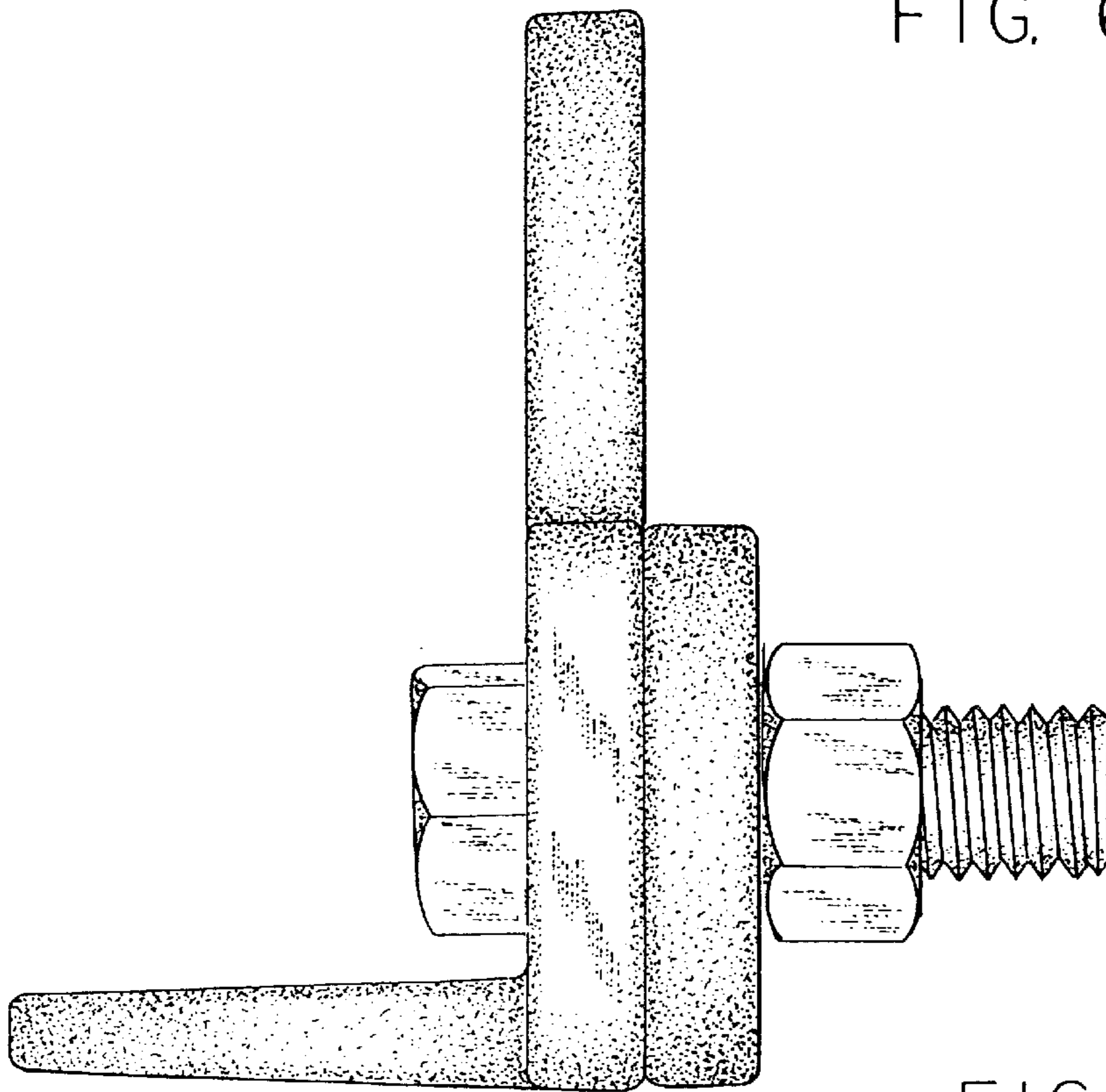


FIG. 7