



US00D430782S

United States Patent [19]
Renner

[11] **Patent Number: Des. 430,782**
[45] **Date of Patent: ** Sep. 12, 2000**

[54] **CLAMPING PLIERS**

[75] Inventor: **Reinhard Renner**, Esslingen, Germany

[73] Assignee: **Wolfcraft GmbH**, Kempenich, Germany

[**] Term: **14 Years**

[21] Appl. No.: **29/109,140**

[22] Filed: **Aug. 10, 1999**

[30] **Foreign Application Priority Data**

Feb. 11, 1999 [DE] Germany 499 01 494
Jul. 15, 1999 [DE] Germany 499 06 811

[51] **LOC (7) Cl.** **08-05**

[52] **U.S. Cl.** **D8/52**

[58] **Field of Search** D8/51, 52, 71,
D8/72, 73, 74; 81/367, 370, 418, 420, 421,
424, 424.5, 426.5, 427.5; 269/86, 96, 257,
97, 266, 909, 6

[56] **References Cited**

U.S. PATENT DOCUMENTS

D. 335,249 5/1993 Hopkins D8/52
D. 355,825 2/1995 Moyer D8/52

D. 356,477 3/1995 Everhardt et al. D8/52
4,874,156 10/1989 Goldzweig D8/74
5,058,869 10/1991 Ruthven 269/97
5,791,210 8/1998 Wolff et al. 81/424

Primary Examiner—Alan P. Douglas
Assistant Examiner—Reid Hecker
Attorney, Agent, or Firm—Hill & Simpson

[57] **CLAIM**

The ornamental design for clamping pliers, as shown and described.

DESCRIPTION

FIG. 1 is a front elevational view of the clamping pliers of the present invention;
FIG. 2 is a side elevational view of the right side of FIG. 1;
FIG. 3 is a side elevational view of the left side of FIG. 1;
FIG. 4 is an end view of the handle end of the clamping pliers of the present invention;
FIG. 5 is an end view of the clamping jaws end of the clamping pliers of the present invention;
FIG. 6 is a back elevational view of the clamping pliers of FIG. 1; and,
FIG. 7 is a front elevational view of the clamping pliers of FIG. 1 in an opened position.

1 Claim, 3 Drawing Sheets

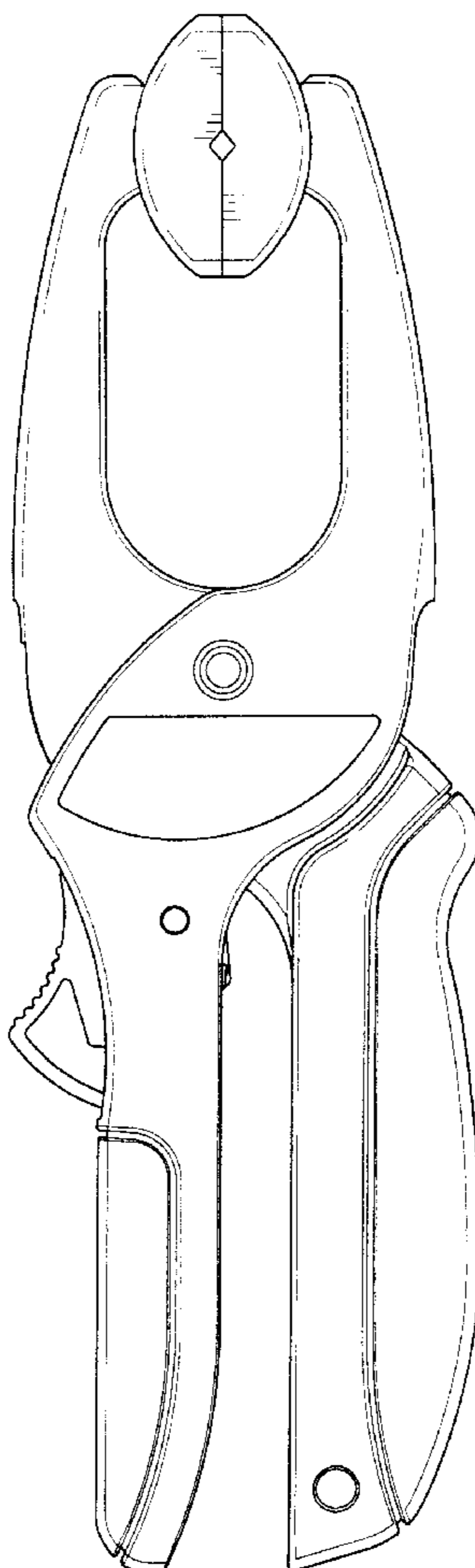


Fig. 4

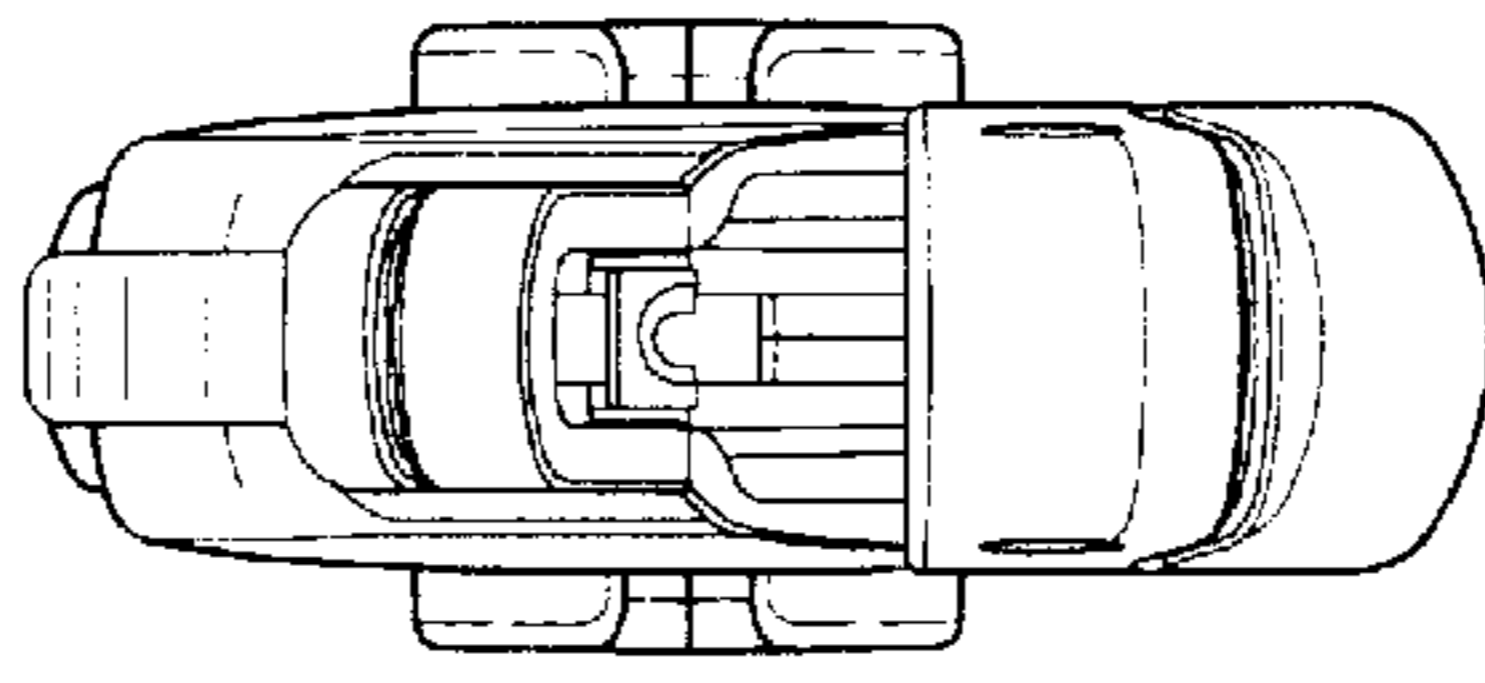


Fig. 2

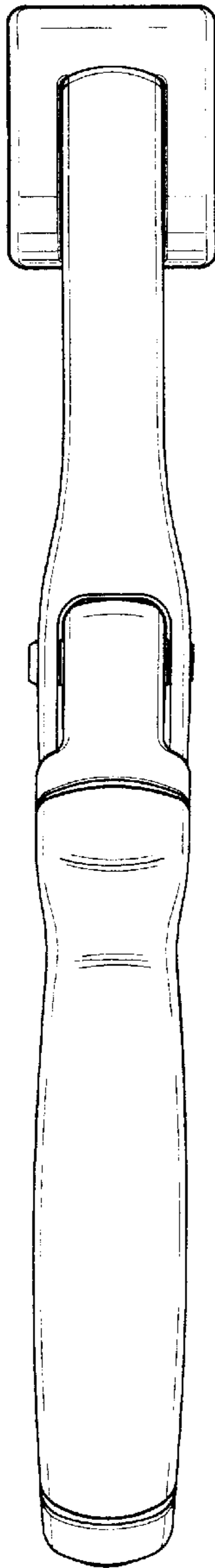


Fig. 1

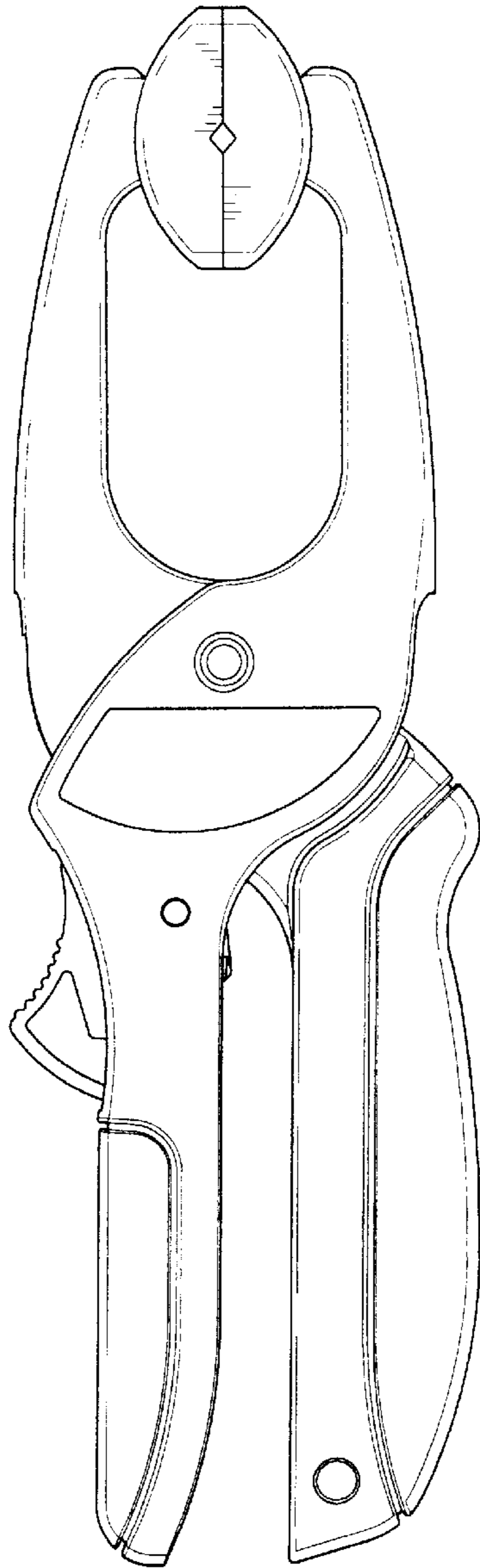


Fig. 3

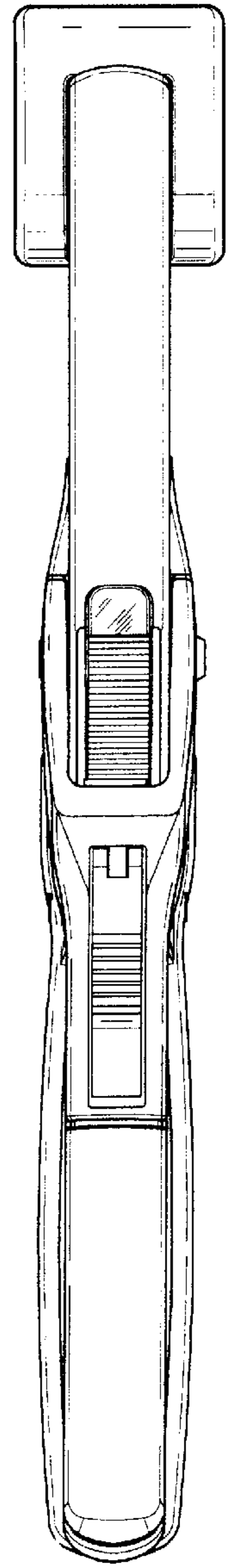


Fig. 5

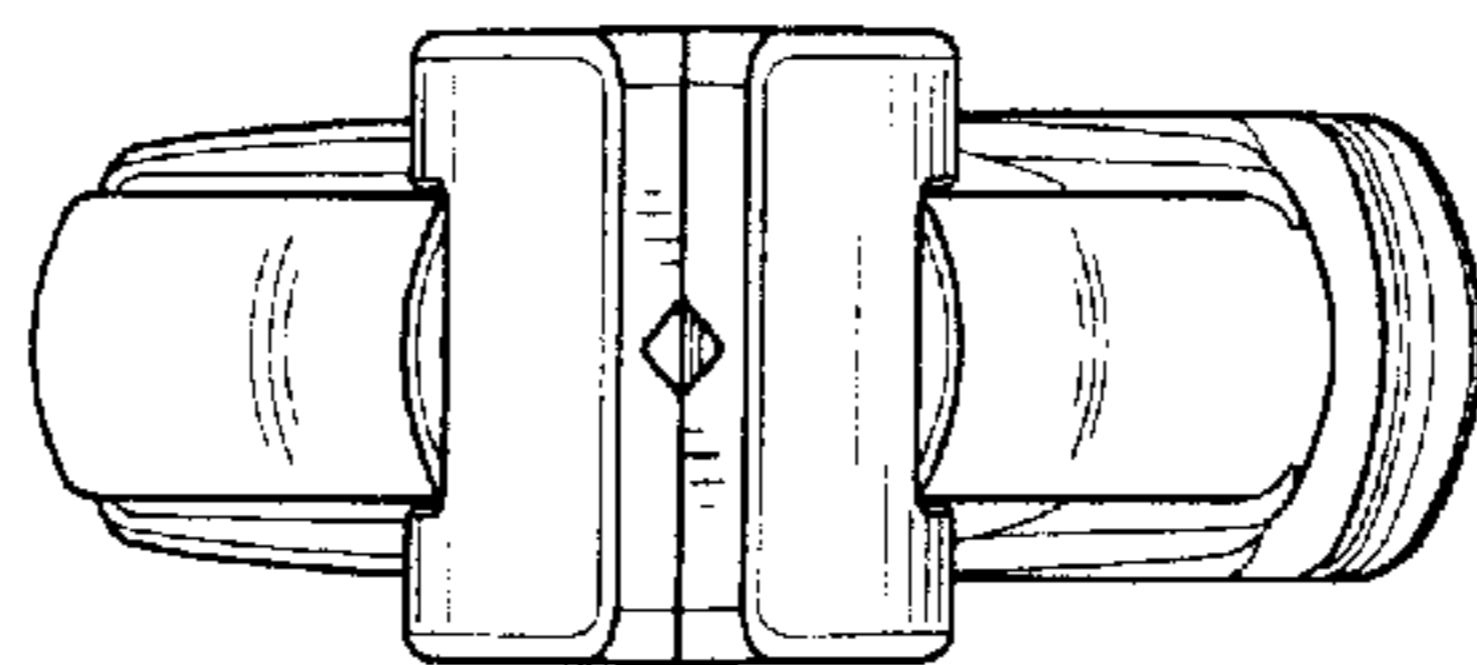


Fig. 6

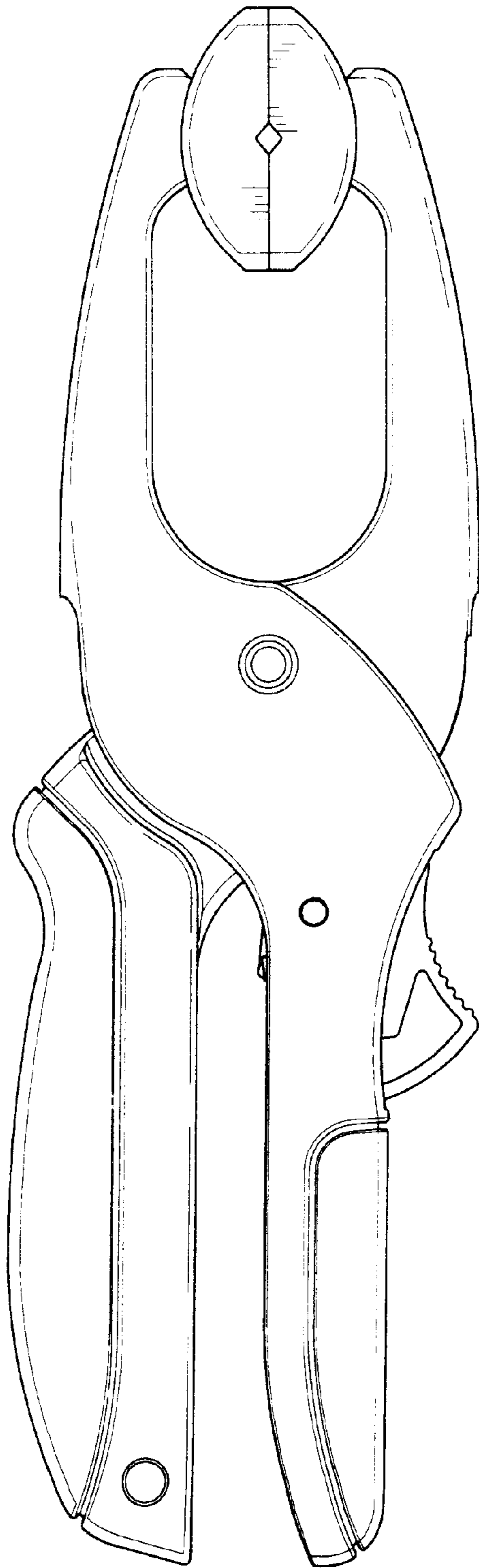


Fig. 7

