



US00D430778S

United States Patent [19]

Wenck

[11] Patent Number: **Des. 430,778**

[45] Date of Patent: **** Sep. 12, 2000**

[54] **BEER KEG INSULATOR**

[76] Inventor: **Gilbert Wenck**, 121 42nd St., Newport Beach, Calif. 92663

[**] Term: **14 Years**

[21] Appl. No.: **29/113,232**

[22] Filed: **Nov. 1, 1999**

[51] **LOC (7) Cl.** **07-07**

[52] **U.S. Cl.** **D7/607**

[58] **Field of Search** D7/605, 607; 62/371, 62/372, 457.1, 457.4, 530; 220/694, 592.09, 592.16, 592.19, 902, 903; 428/157

[56] **References Cited**

U.S. PATENT DOCUMENTS

D. 289,721 5/1987 Hewlett D7/622

D. 333,068 2/1993 Williams D7/607
D. 393,571 4/1998 Gardner D7/607
4,989,418 2/1991 Hewlett 62/457.4

Primary Examiner—Terry A. Wallace
Attorney, Agent, or Firm—Walter A. Hackler

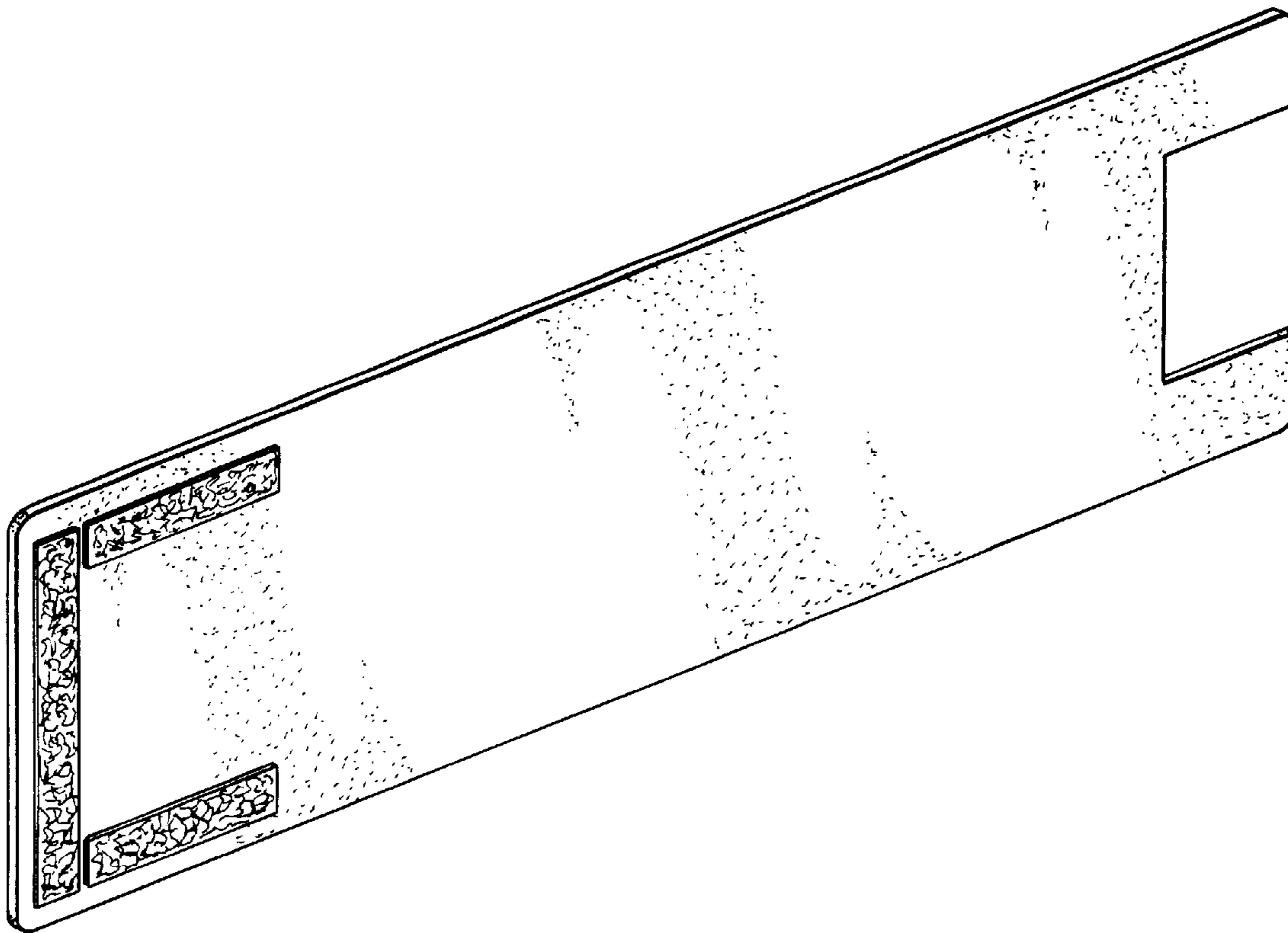
[57] **CLAIM**

The ornamental design for the beer keg insulator, as shown and described.

DESCRIPTION

FIG. 1 is a perspective view of the present invention showing a front, top and left side of the invention; and, FIG. 2 is a perspective view of the present invention showing the back, bottom and right side of the invention.

1 Claim, 1 Drawing Sheet



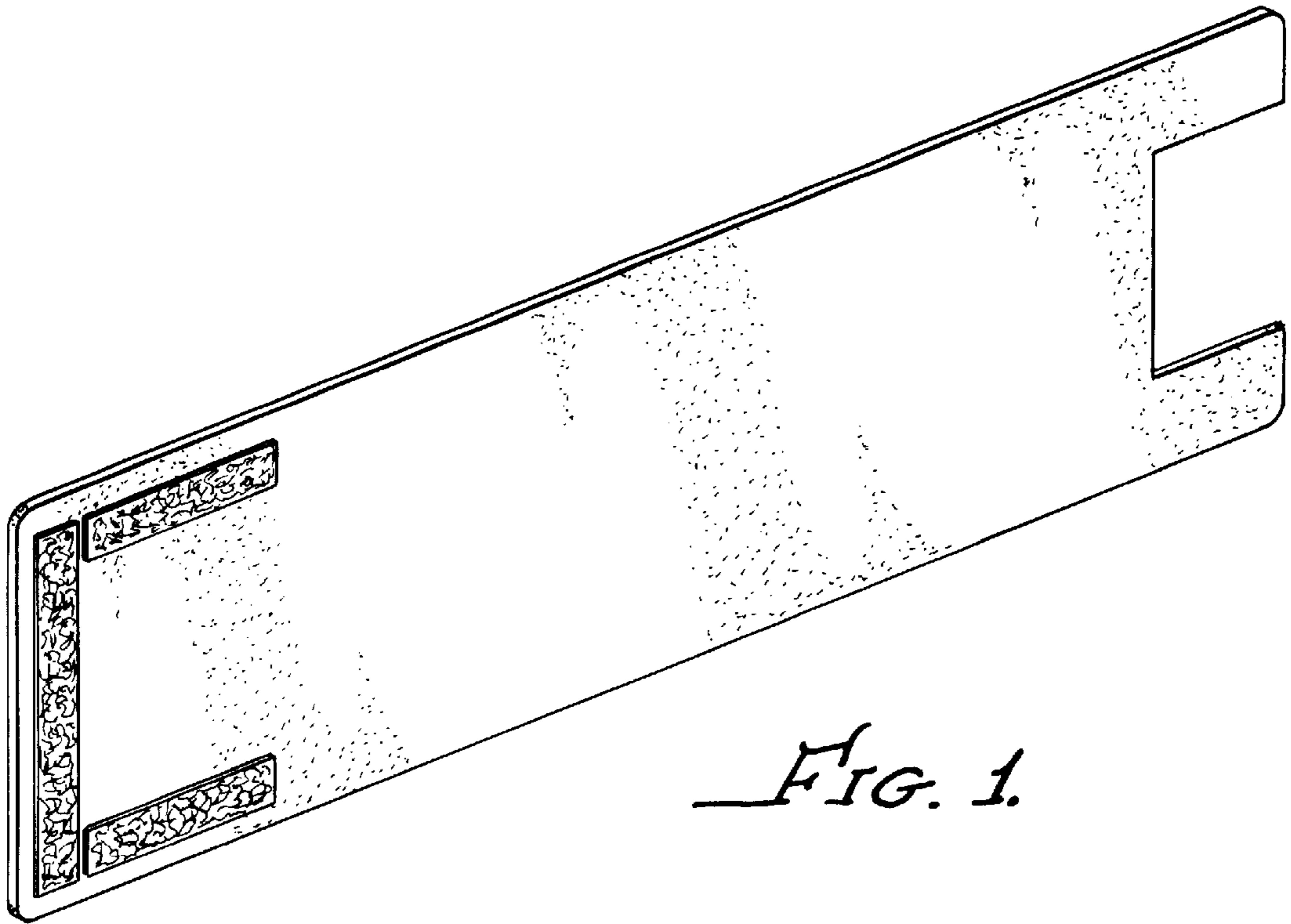


FIG. 1.

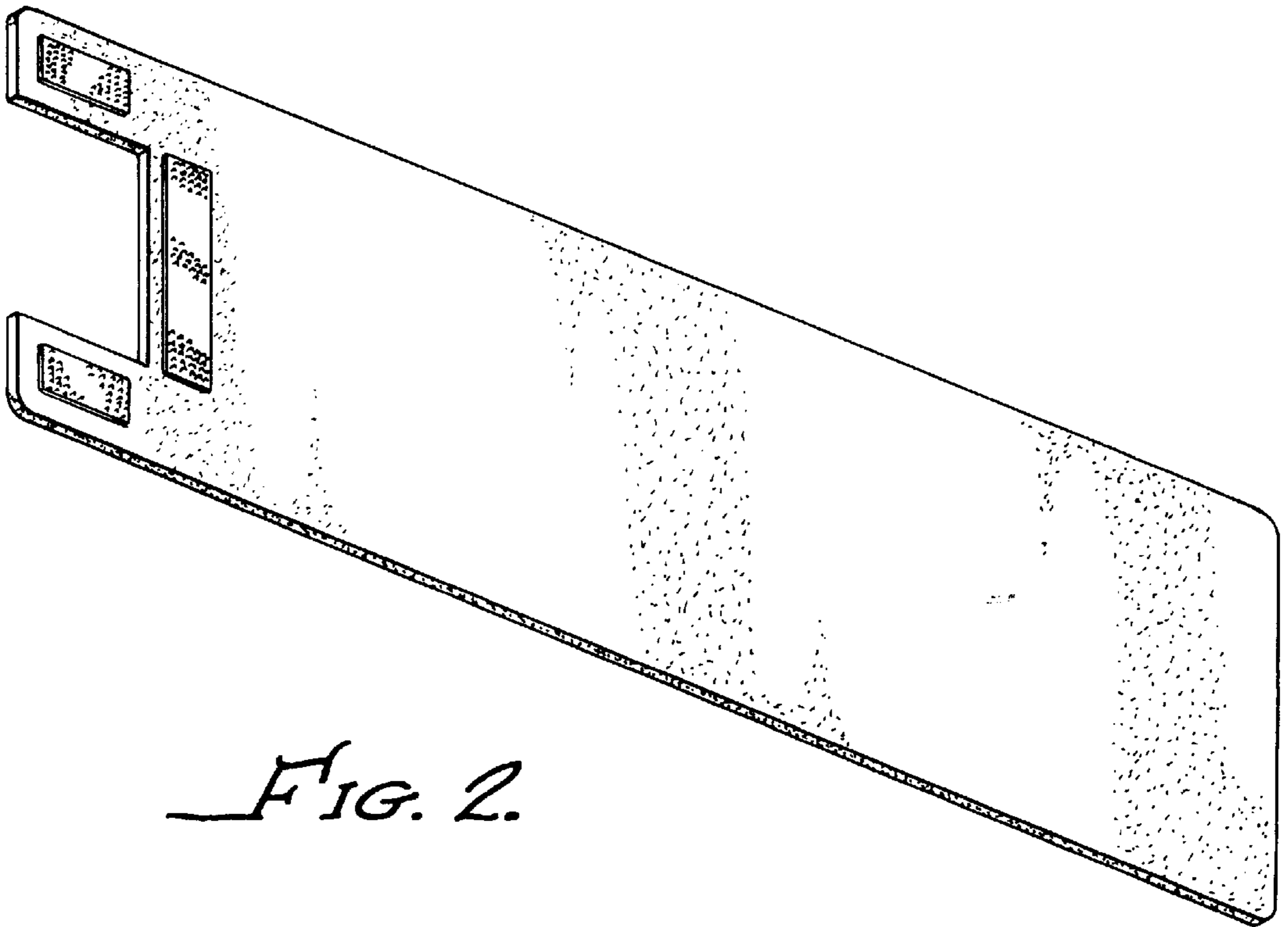


FIG. 2.