



US00D430777S

United States Patent [19]
Husted

[11] **Patent Number: Des. 430,777**

[45] **Date of Patent: ** *Sep. 12, 2000**

[54] **TRANSPARENT DRINKING VESSEL WITH METALLIC CORE AND LID**

[76] Inventor: **Wayne D. Husted**, 73 California Ave., Mill Valley, Calif. 94911

[*] Notice: This patent is subject to a terminal disclaimer.

[**] Term: **14 Years**

[21] Appl. No.: **29/098,256**

[22] Filed: **Dec. 24, 1998**

[51] **LOC (7) Cl.** **07-01**

[52] **U.S. Cl.** **D7/511; D7/523**

[58] **Field of Search** D7/300.1, 510, D7/511, 509, 507, 523, 538; 215/227, 345; 220/254, 713, 739

[56] **References Cited**

U.S. PATENT DOCUMENTS

D. 219,898	2/1971	Buckley	D7/300.1
D. 283,596	4/1986	Fortuna et al.	D7/510 X
D. 365,247	12/1995	Sokolski et al.	D7/511
D. 377,293	1/1997	Husted	D7/510
D. 387,619	12/1997	Gross et al.	D7/510
D. 399,392	10/1998	Husted	D7/511

2,276,678	3/1942	Wheeler	215/227
2,754,866	7/1956	Coltman, Jr.	D7/300.1 X
2,765,639	10/1956	Bryant	D7/510 X
3,677,524	7/1972	Douglas	D7/300.1 X
4,852,757	8/1989	Gold	D7/510
4,974,741	12/1990	Gustafson et al.	D7/510 X

Primary Examiner—M. N. Pandozzi
Attorney, Agent, or Firm—Thomas V. Malorzo; Bennett & Weston, P.C.

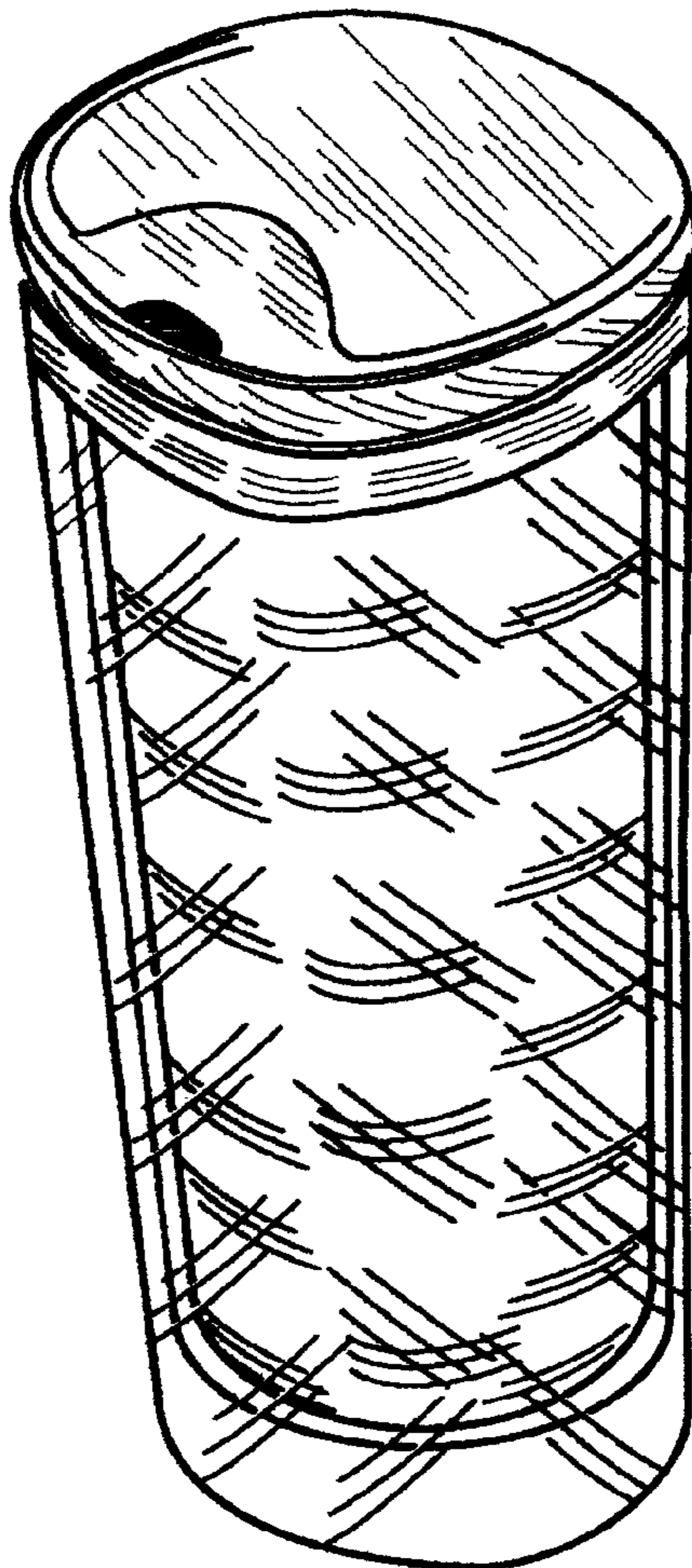
[57] **CLAIM**

I claim the ornamental design for a transparent drinking vessel with metallic core and lid, as shown.

DESCRIPTION

FIG. 1 is a perspective view of the transparent drinking vessel with metallic core and lid.
FIG. 2 is a partially exploded side elevation view of the transparent drinking vessel with metallic core and lid showing the vessel and the lid;
FIG. 3 is a bottom view of the transparent drinking vessel with metallic core and lid; and,
FIG. 4 is a top view of the transparent drinking vessel with metallic core and lid.
FIG. 5 is a cross section of the drinking vessel taken through line5-5 of FIG. 2 .

1 Claim, 1 Drawing Sheet



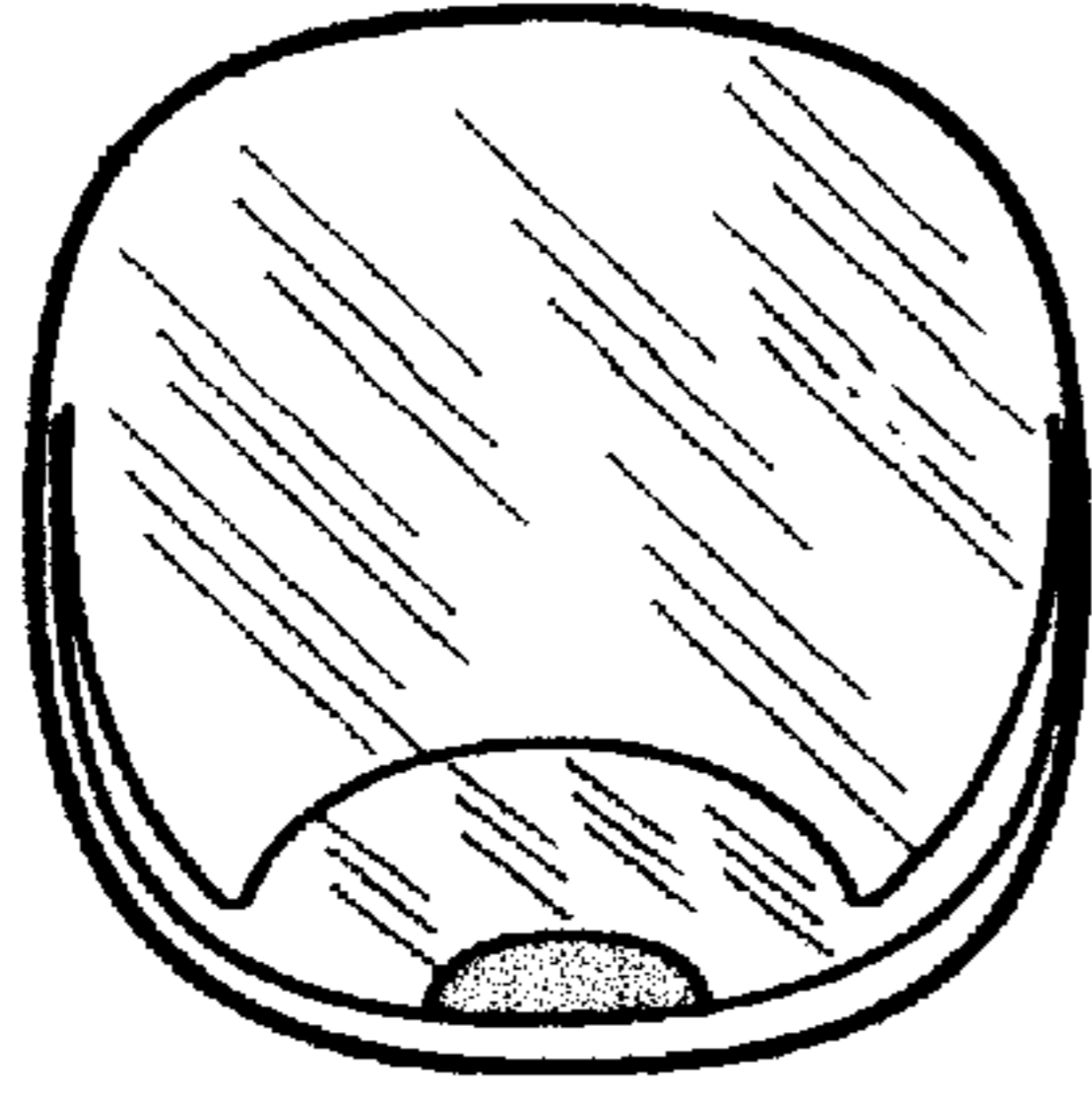


FIG 4

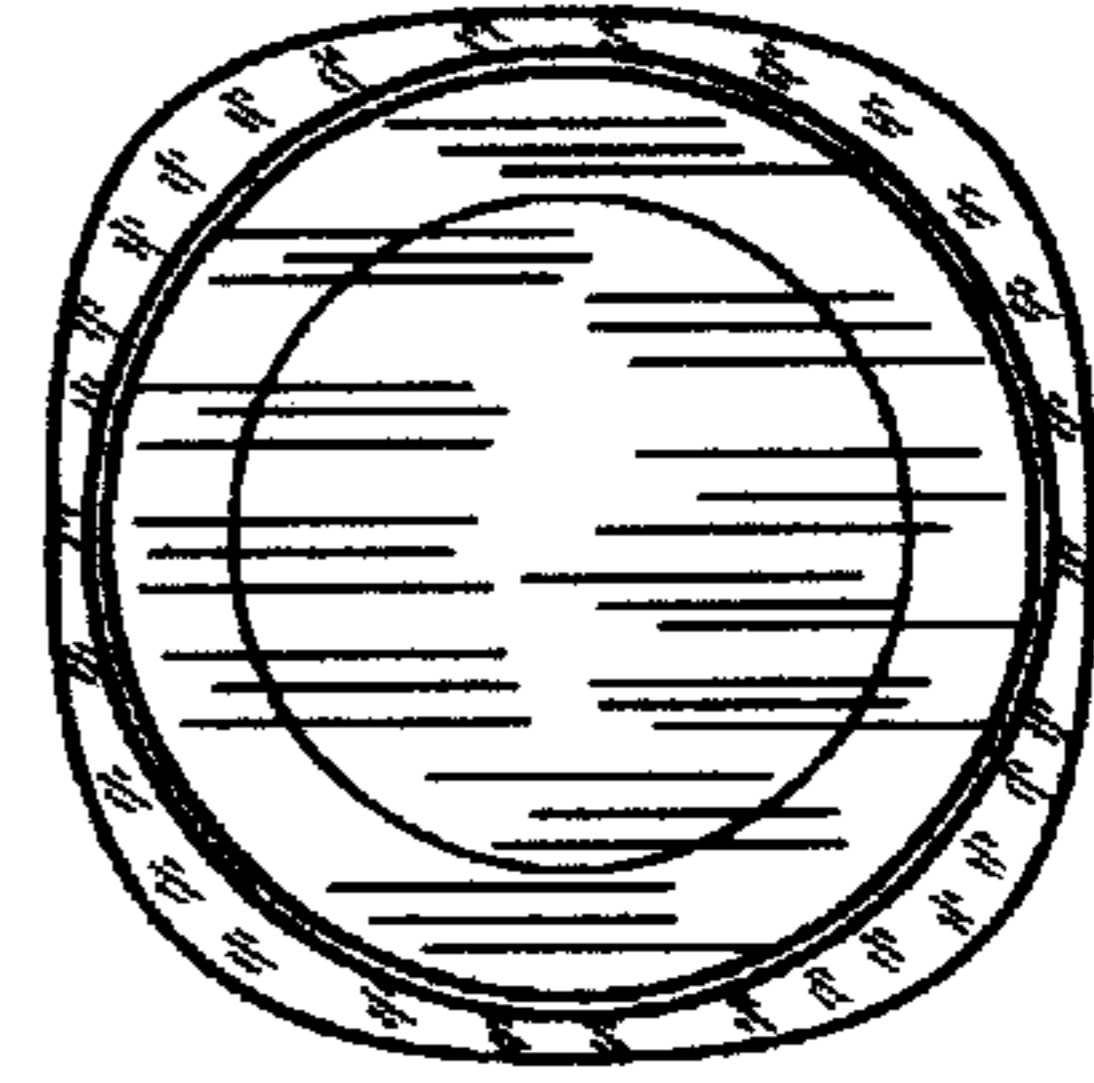


FIG 5

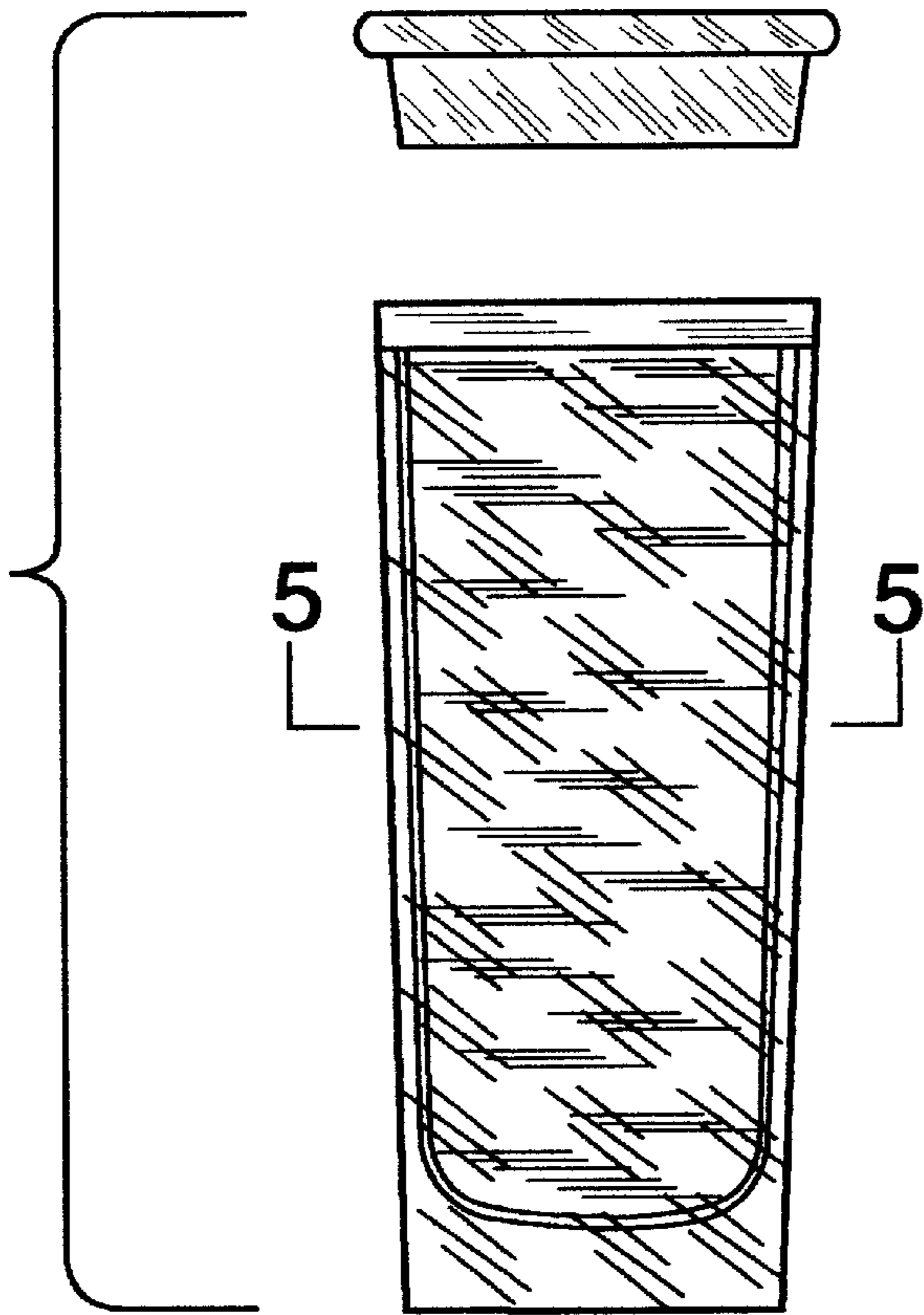


FIG 2

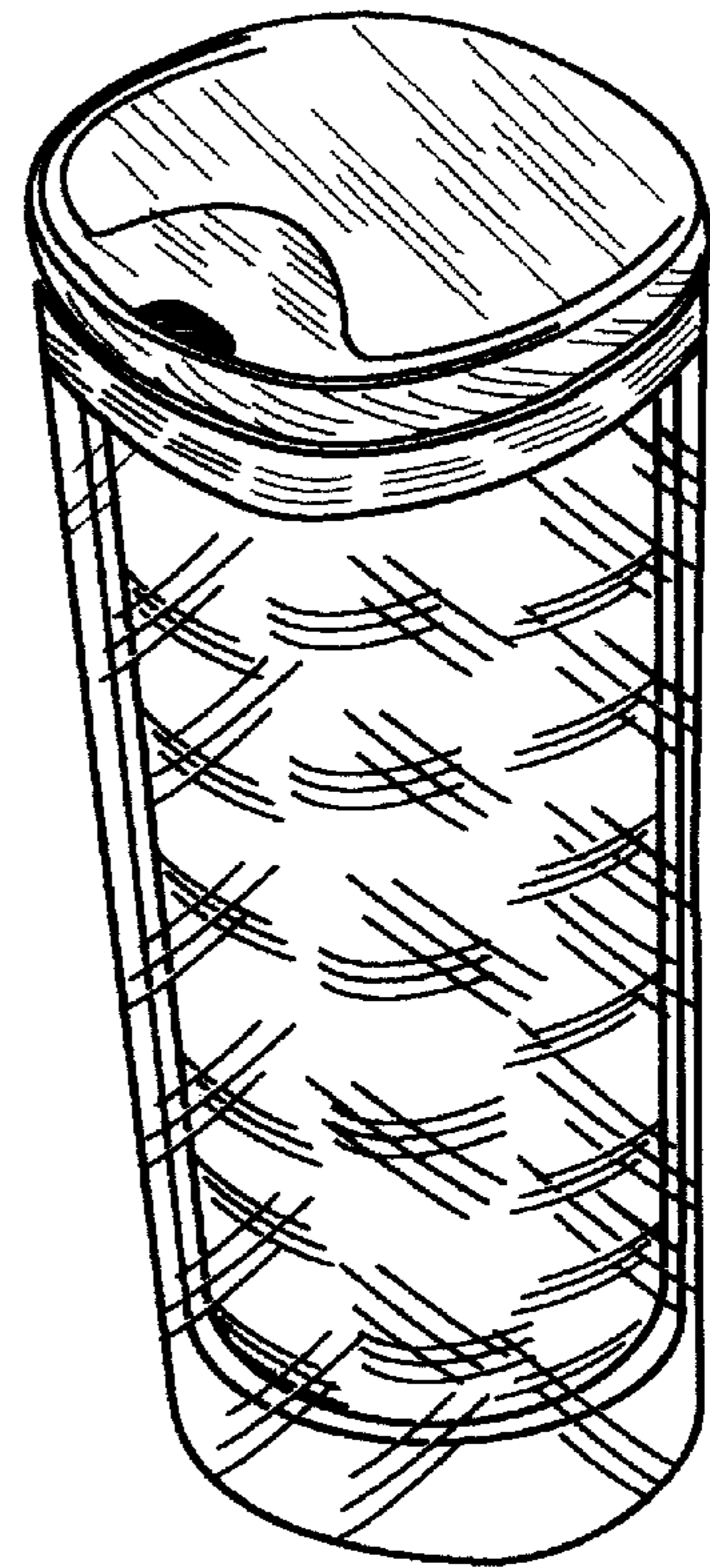


FIG 1

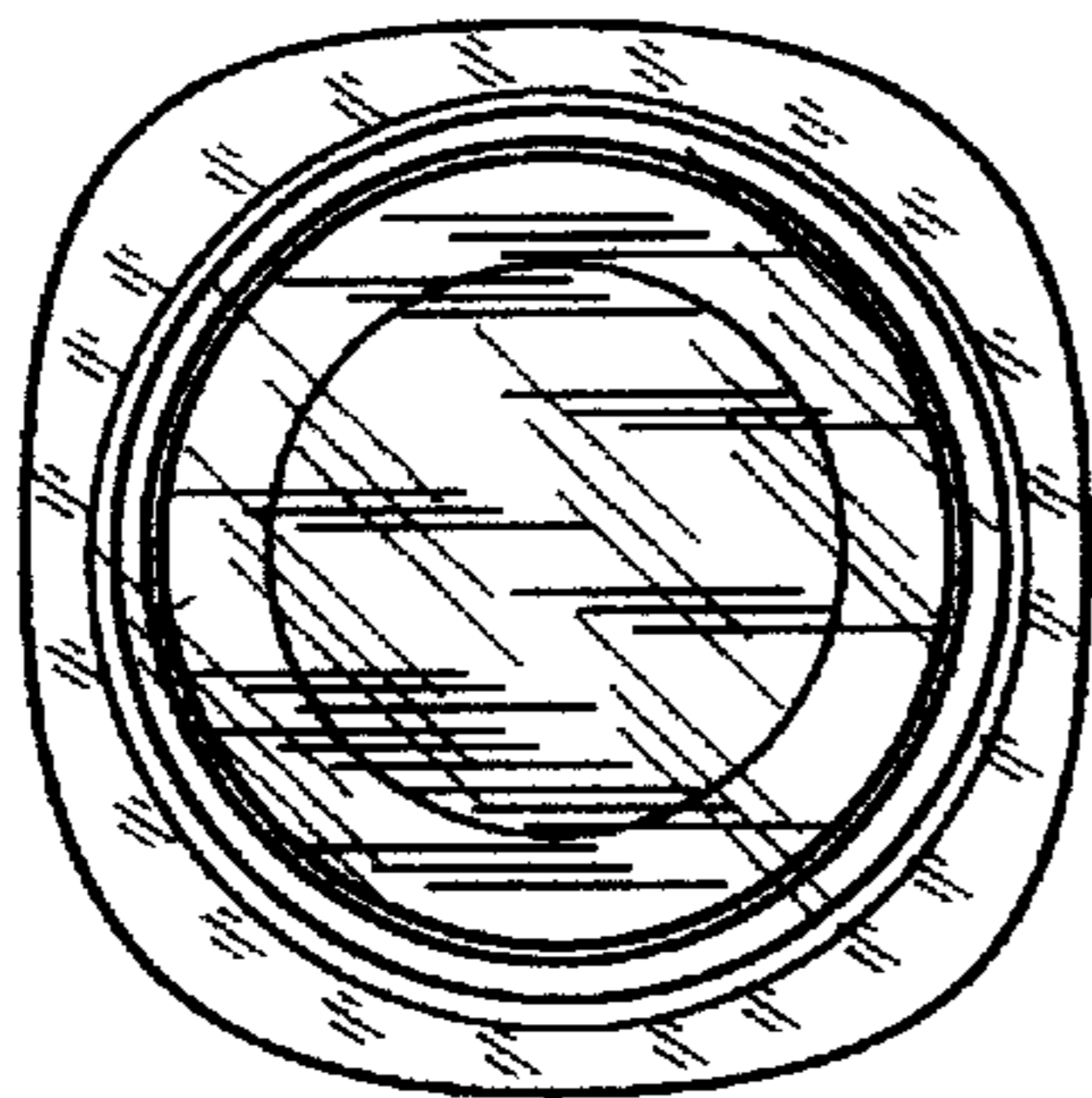


FIG 3