



US00D430775S

# United States Patent [19] Wong

[11] Patent Number: Des. 430,775

[45] Date of Patent: \*\* Sep. 12, 2000

[54] **FOOD PROCESSOR SET INCLUDING INTERCHANGEABLE ACCESSORIES**

[76] Inventor: **Yan Kwong Wong**, Unit 17, 10/F., Metro Centre II, 21 Lam Hing Street, Kowloon Bay, Kowloon, The Hong Kong Special Administrative Region of the People's Republic of China

[\*\*] Term: **14 Years**

[21] Appl. No.: **29/102,079**

[22] Filed: **Mar. 17, 1999**

[30] **Foreign Application Priority Data**

Sep. 17, 1998 [GB] United Kingdom ..... 2077682

[51] **LOC (7) Cl.** ..... **31-00**

[52] **U.S. Cl.** ..... **D7/384**

[58] **Field of Search** ..... D7/376, 378, 384, D7/412, 413, 414, 678, 679, 693, 505; 366/64, 65, 67, 96, 241, 244, 247, 342, 343, 347; 241/101.01, 168, 291, 273.1

[56] **References Cited**

**U.S. PATENT DOCUMENTS**

D. 224,674 8/1972 Ashton et al. .... D7/505

D. 249,044	8/1978	Popeil .....	D7/381
D. 336,214	6/1993	Boerner .....	D7/381
D. 354,886	1/1995	Diefenbach .....	D7/678
D. 391,804	3/1998	Wong .....	D7/376 X
D. 395,194	6/1998	Wong .....	D7/384
D. 399,711	10/1998	Cohen et al. ....	D7/673
2,801,658	8/1957	Thomas .....	241/273.1

*Primary Examiner*—Caron D. Veynar  
*Attorney, Agent, or Firm*—Salter & Michaelson

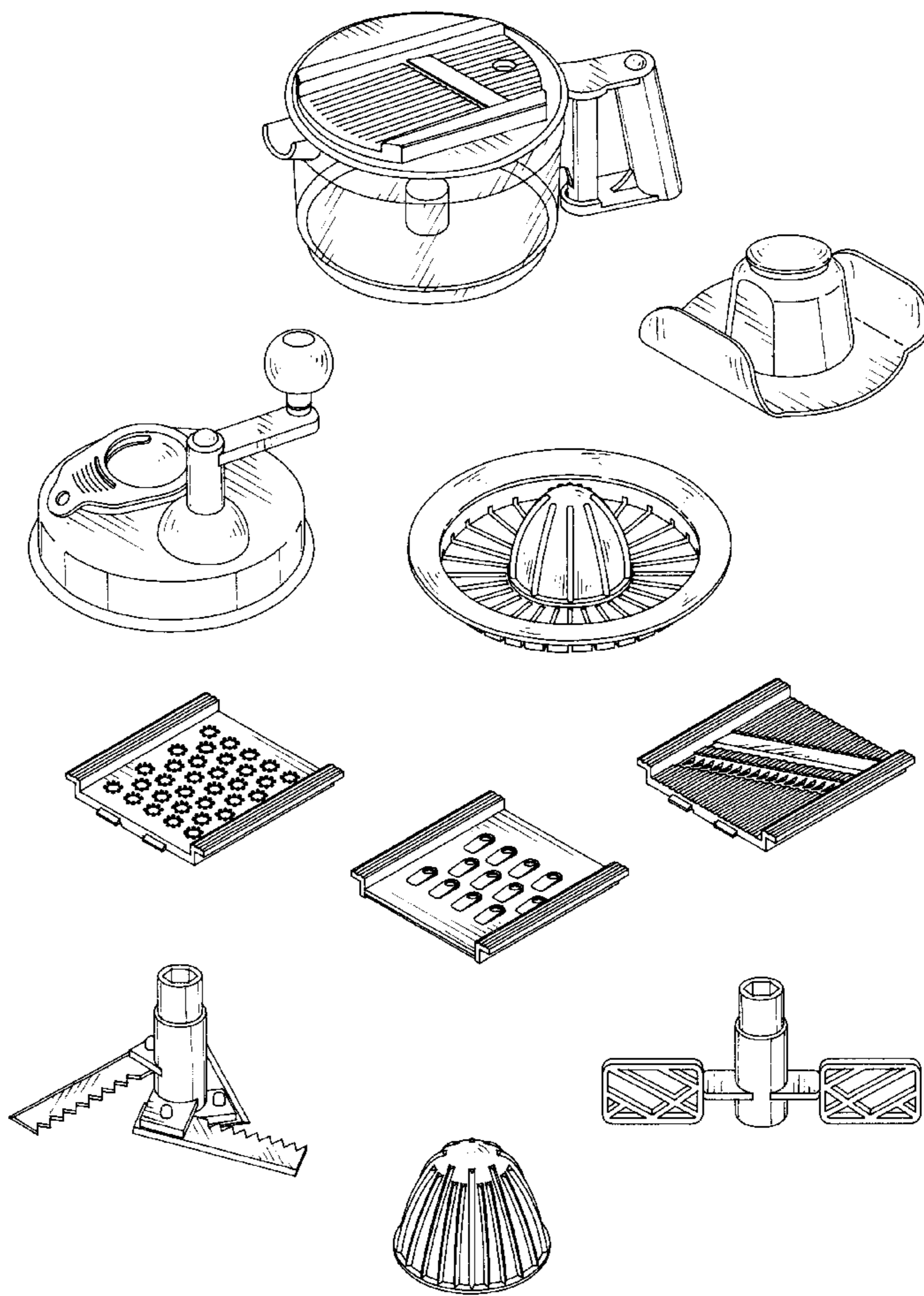
[57] **CLAIM**

The ornamental design for a food processor set including interchangeable accessories, as shown.

**DESCRIPTION**

FIG. 1 is a perspective view of a food processor set including interchangeable accessories showing my new design; FIG. 2 is a perspective view of the food processor housing showing one of the interchangeable accessories; FIG. 3 is a right side elevational view thereof; FIG. 4 is a left side elevational view thereof; FIG. 5 is a rear elevational view thereof; FIG. 6 is a front elevational view thereof; FIG. 7 is a top plan view thereof; and, FIG. 8 is a bottom plan view thereof.

**1 Claim, 4 Drawing Sheets**



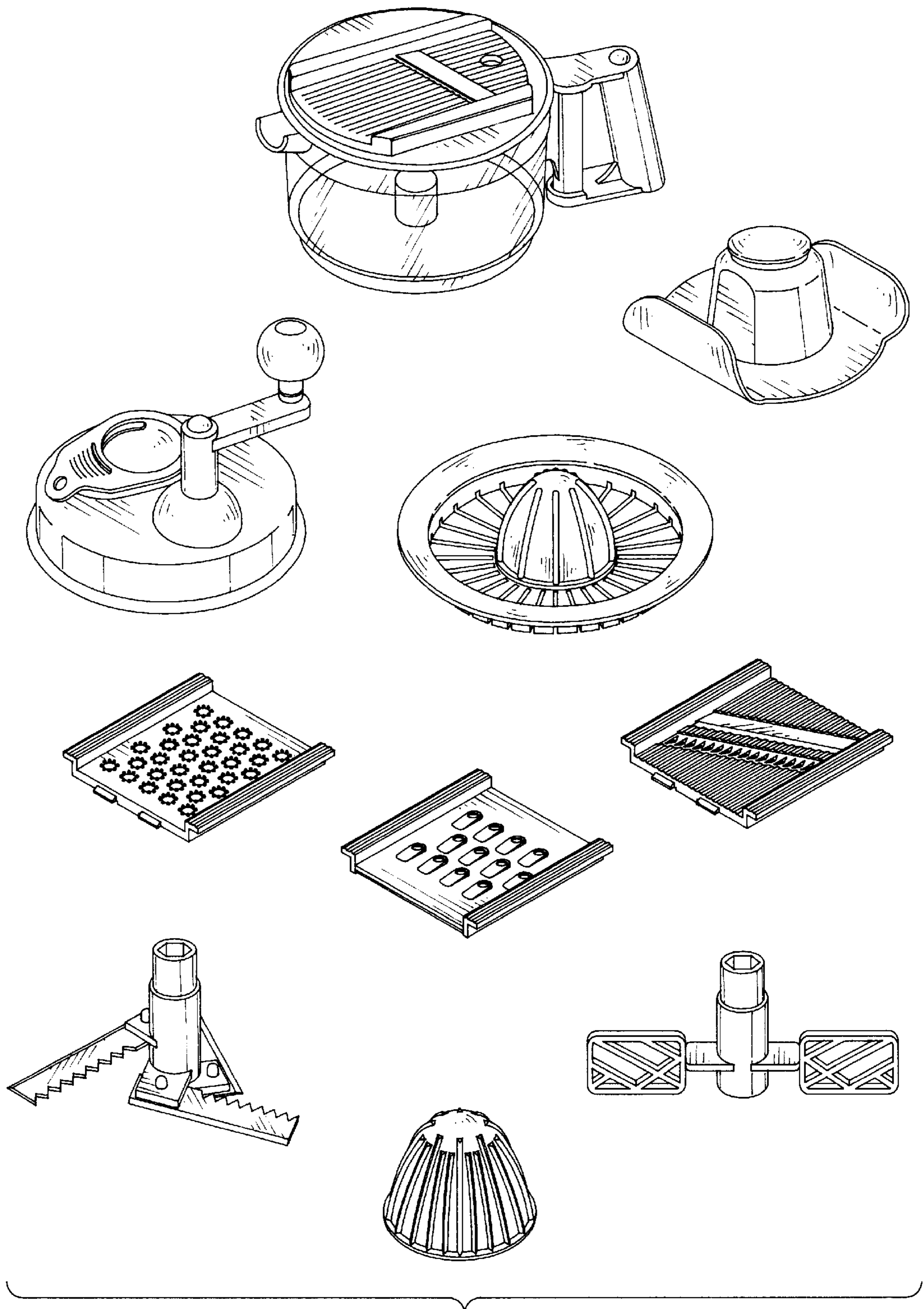


FIG. 1

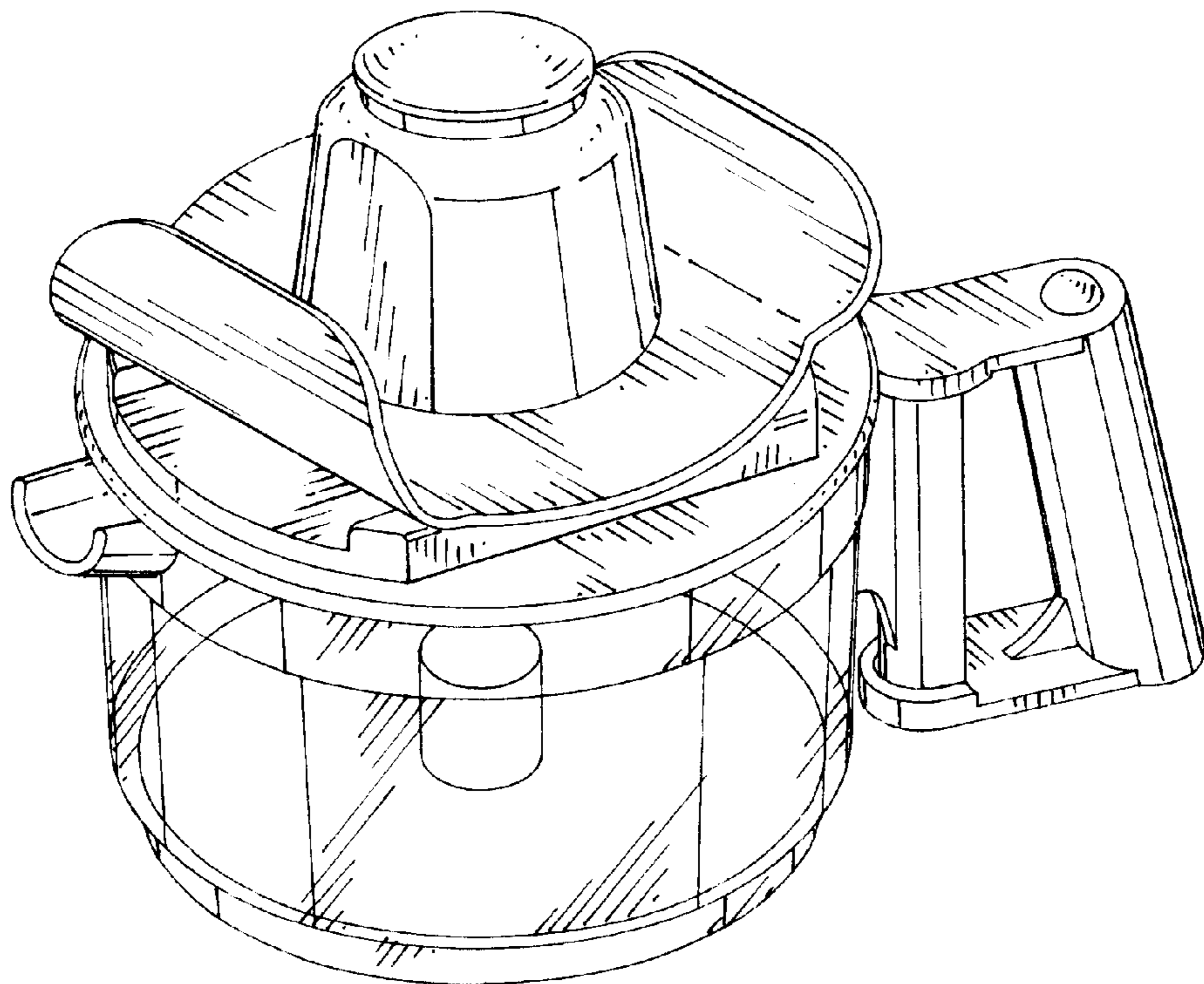


FIG. 2

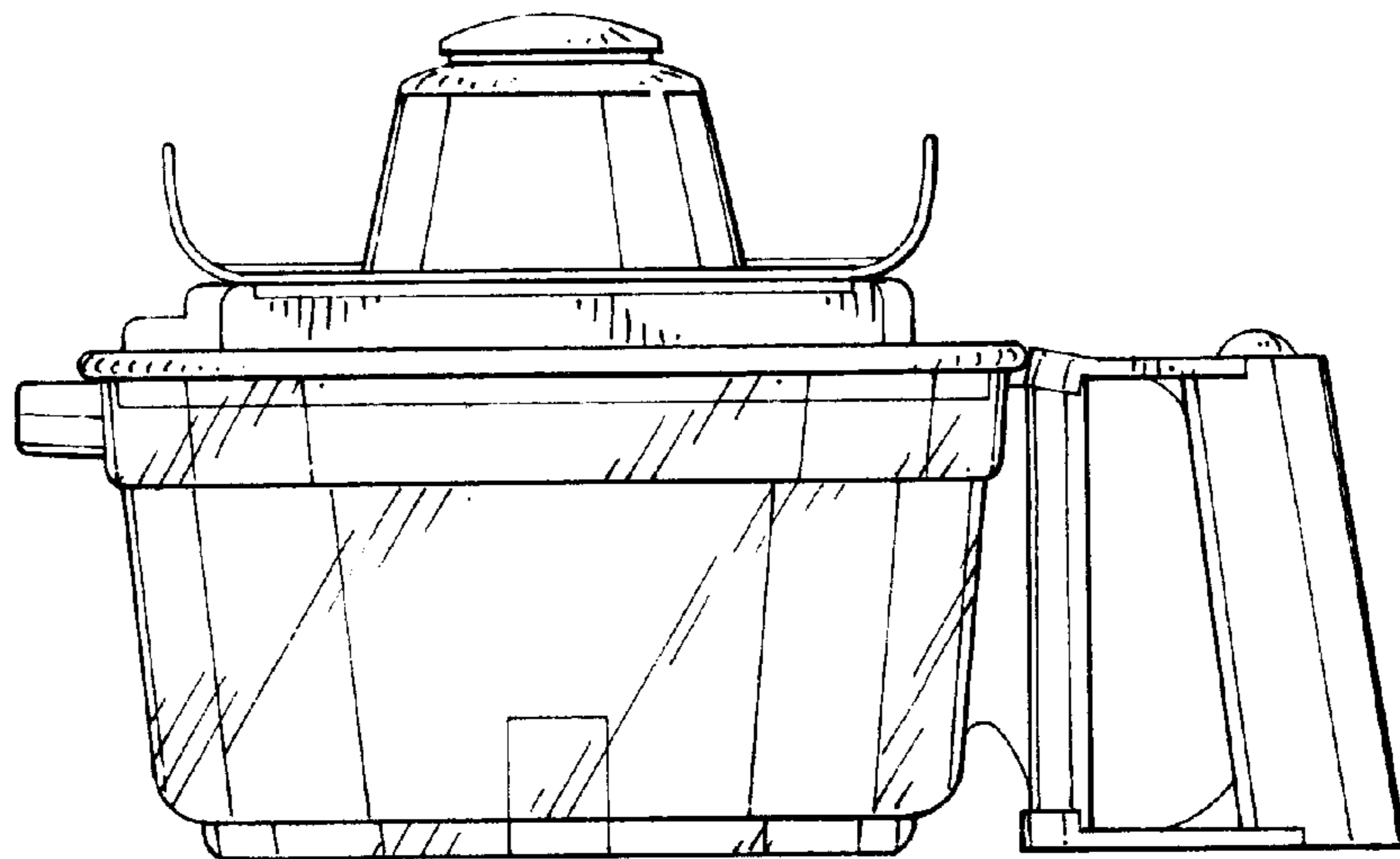


FIG. 3

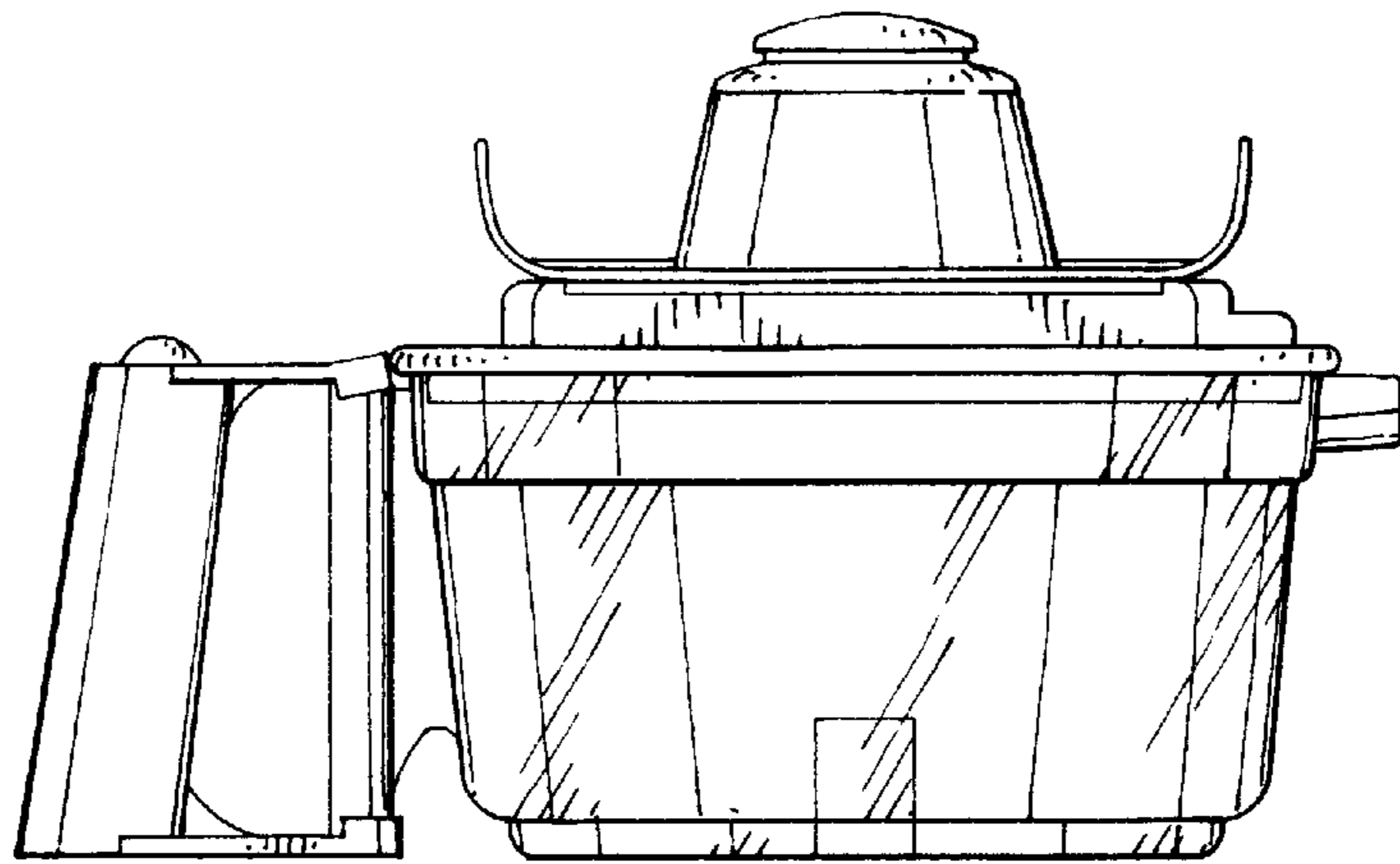


FIG. 4

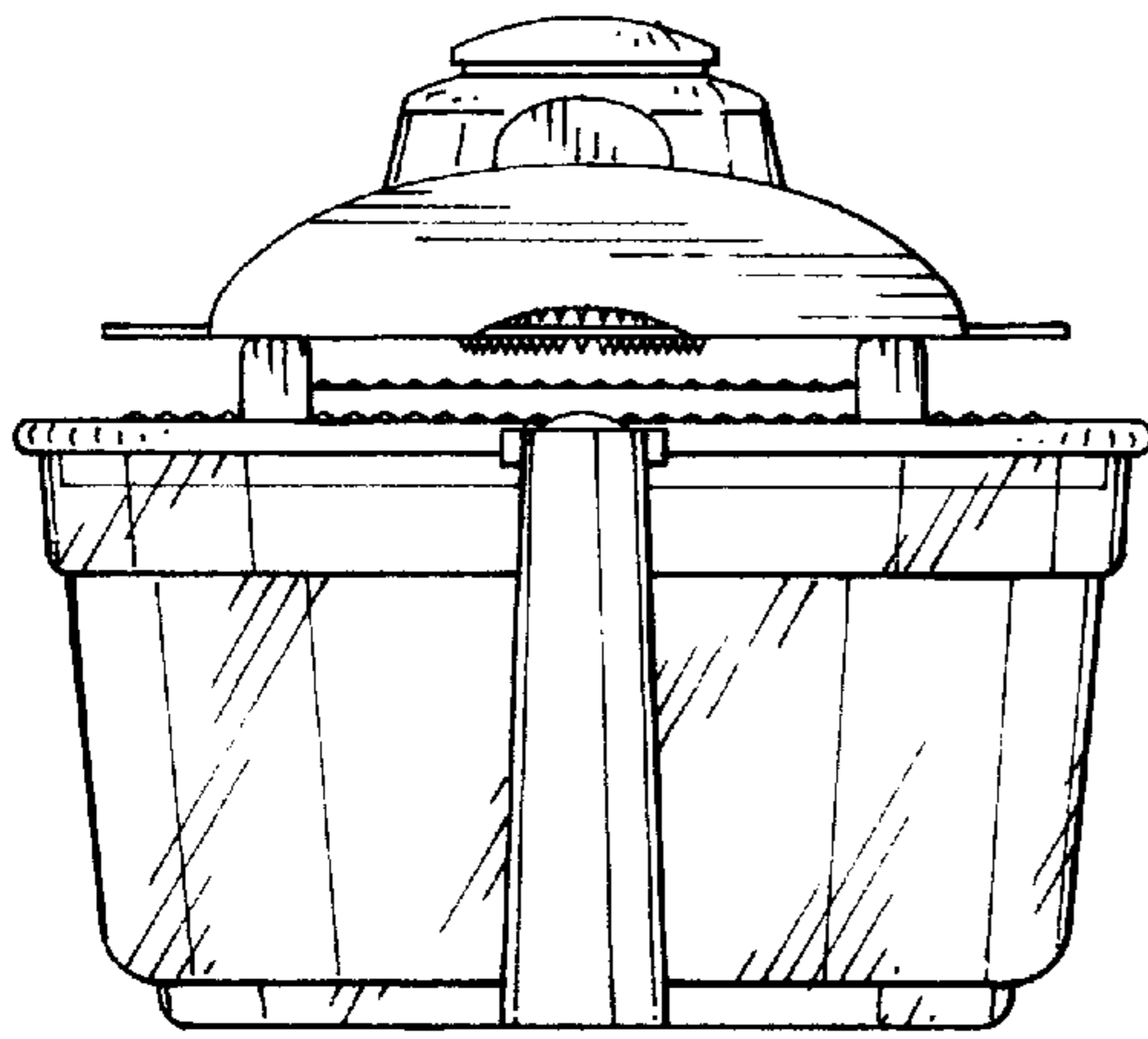


FIG. 5

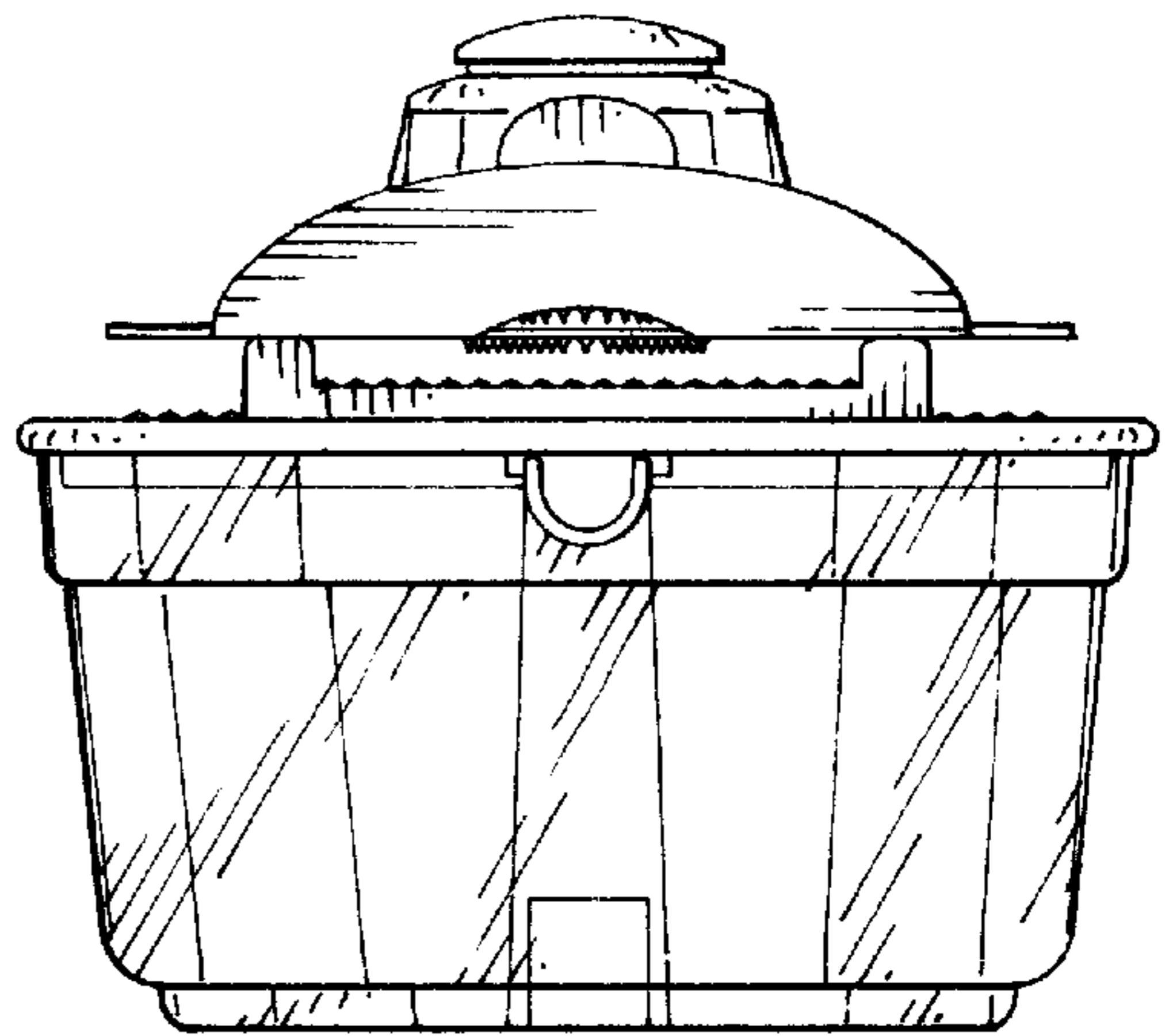


FIG. 6

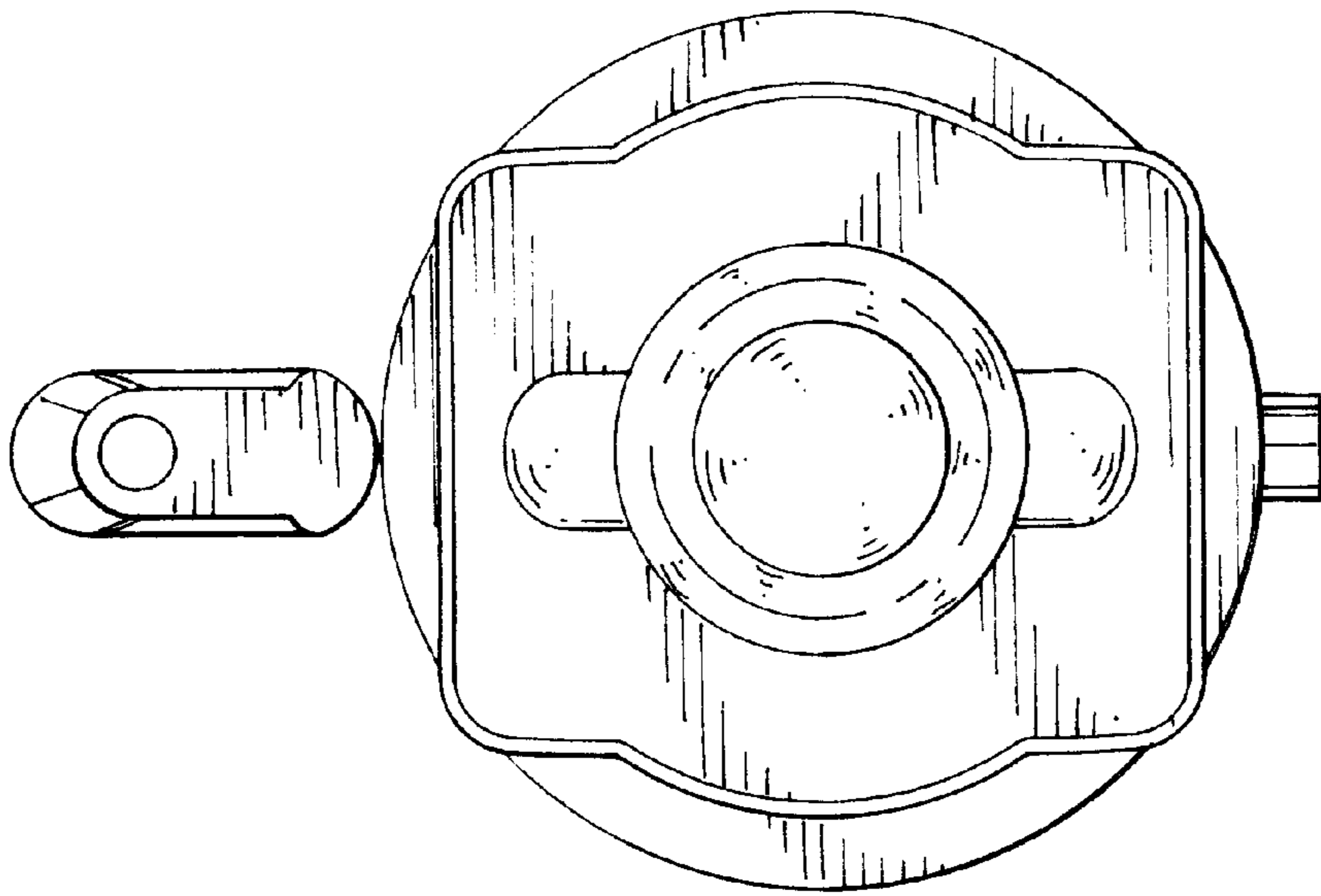


FIG. 7

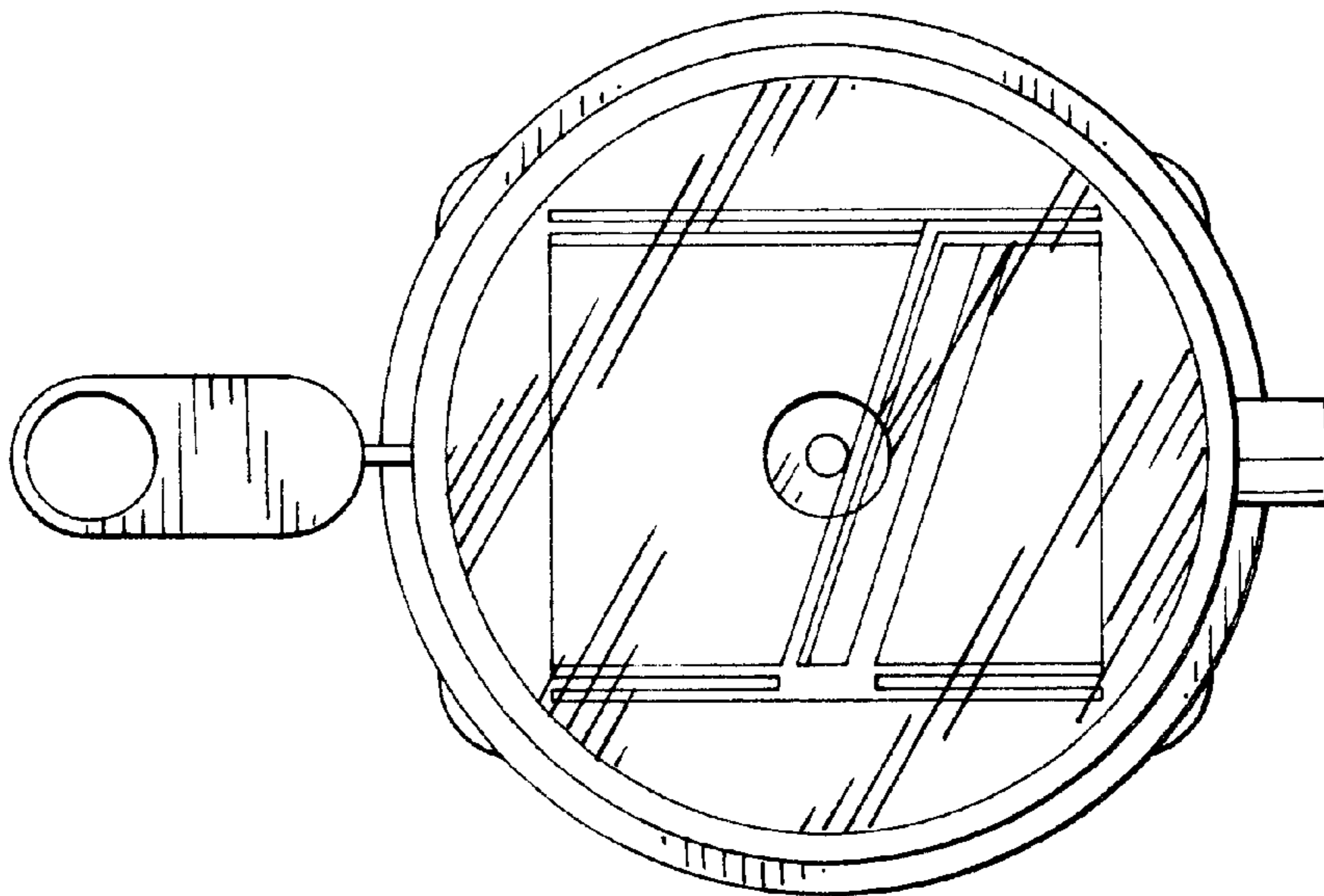


FIG. 8