



US00D430772S

United States Patent [19] Ganard

[11] Patent Number: Des. 430,772

[45] Date of Patent: ** Sep. 12, 2000

[54] BARBEQUE SMOKER GRILL WITH LOWER FIREBOX

[75] Inventor: John Ganard, New Braunfels, Tex.

[73] Assignee: W.C. Bradley Company, Columbus, Ga.

[**] Term: 14 Years

[21] Appl. No.: 29/099,886

[22] Filed: Jan. 29, 1999

[51] LOC (7) Cl. 07-02

[52] U.S. Cl. D7/334

[58] Field of Search D7/331-338, 402-404, D7/409, 362-365, 367; 99/340, 375, 419, 421 H, 422, 421 R, 424, 443 C-444, 446-447, 449, 450; 126/25 R, 25 A, 25 AA, 9 R, 38-39 R, 40, 41 R, 50; 426/523; 431/247

[56] References Cited

U.S. PATENT DOCUMENTS

D. 208,179 7/1967 King et al. D7/334
D. 362,153 9/1995 Home D7/334

D. 406,490 3/1999 Daniels et al. D7/334
4,840,118 6/1989 Rinehart 99/446
4,862,792 9/1989 Lerma, Jr. 99/401
5,195,423 3/1993 Beller 99/340
5,253,634 10/1993 LeBeouf 126/25 A
5,505,190 4/1996 Kalenian 126/41 R

Primary Examiner—Ruth McInroy
Attorney, Agent, or Firm—James W. Kayden; Thomas, Kayden, Horstemeyer & Risley

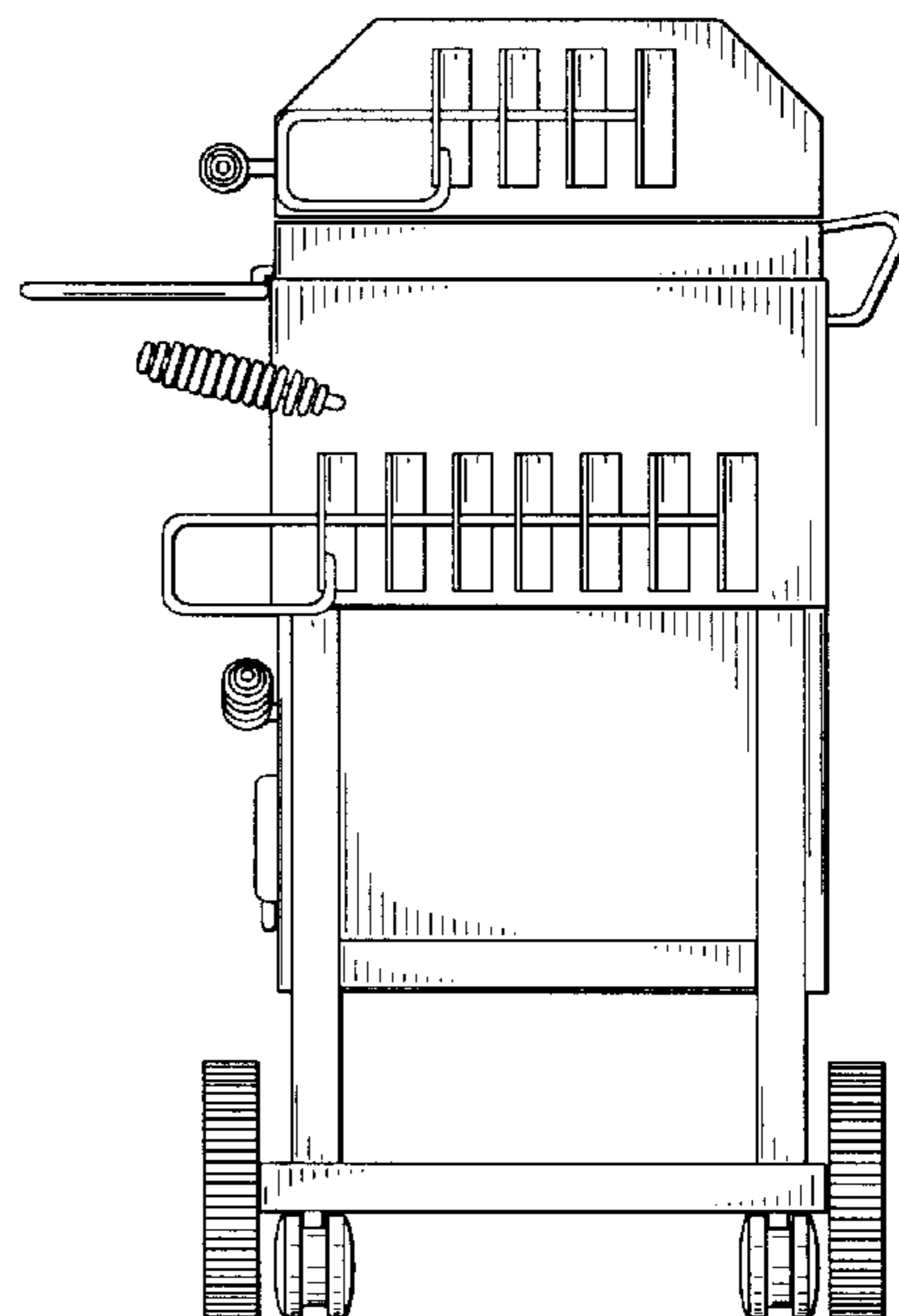
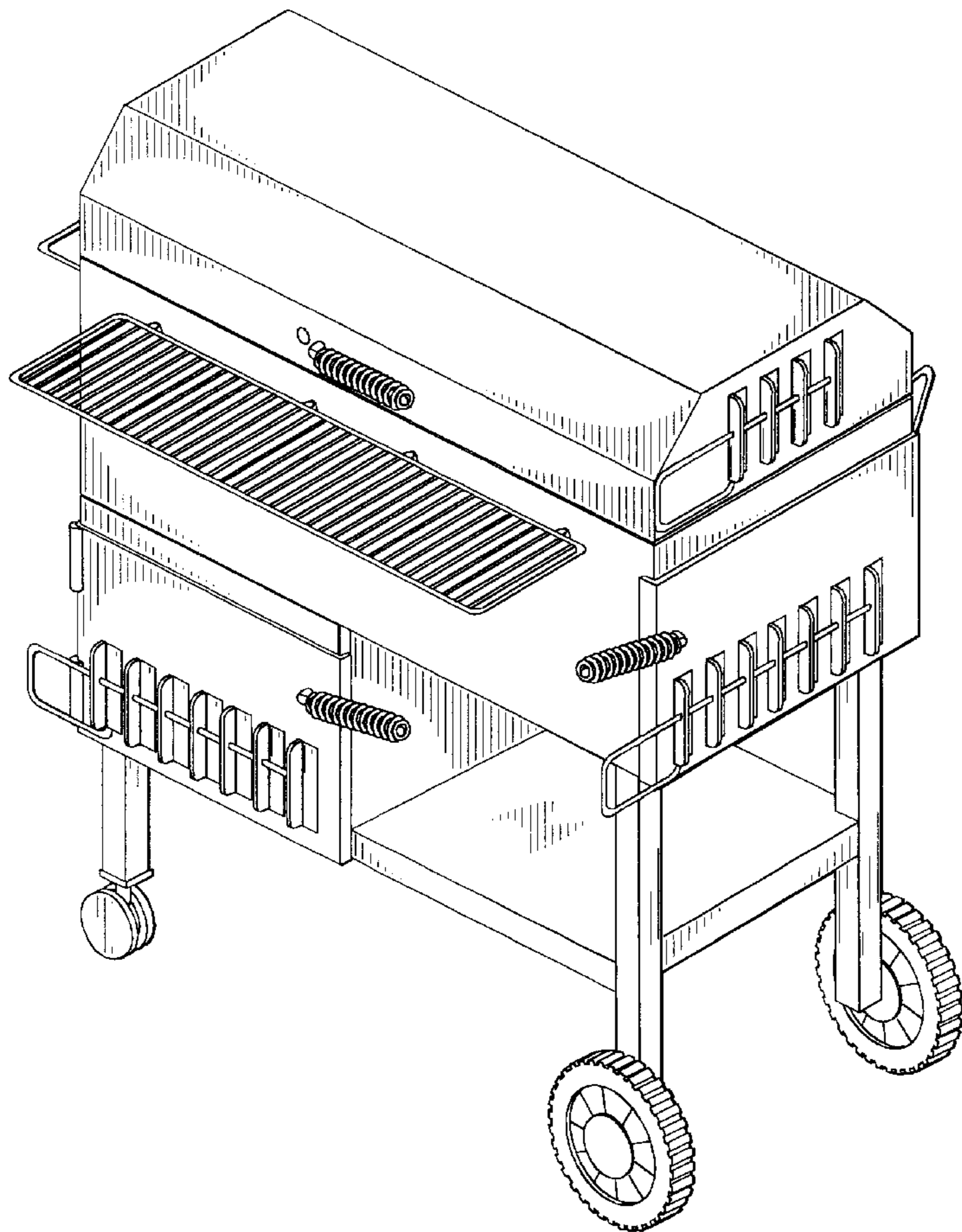
[57] CLAIM

The ornamental design of a barbeque smoker grill with lower firebox, as shown and described.

DESCRIPTION

FIG. 1 is a perspective view of a barbeque smoker grill with lower firebox showing my new design; FIG. 2 is a front elevational view thereof; FIG. 3 is a rear elevational view thereof; FIG. 4 is a left side elevational view thereof; FIG. 5 is a right side elevational view thereof; FIG. 6 is a top plan view thereof; and, FIG. 7 is bottom plan view thereof.

1 Claim, 4 Drawing Sheets



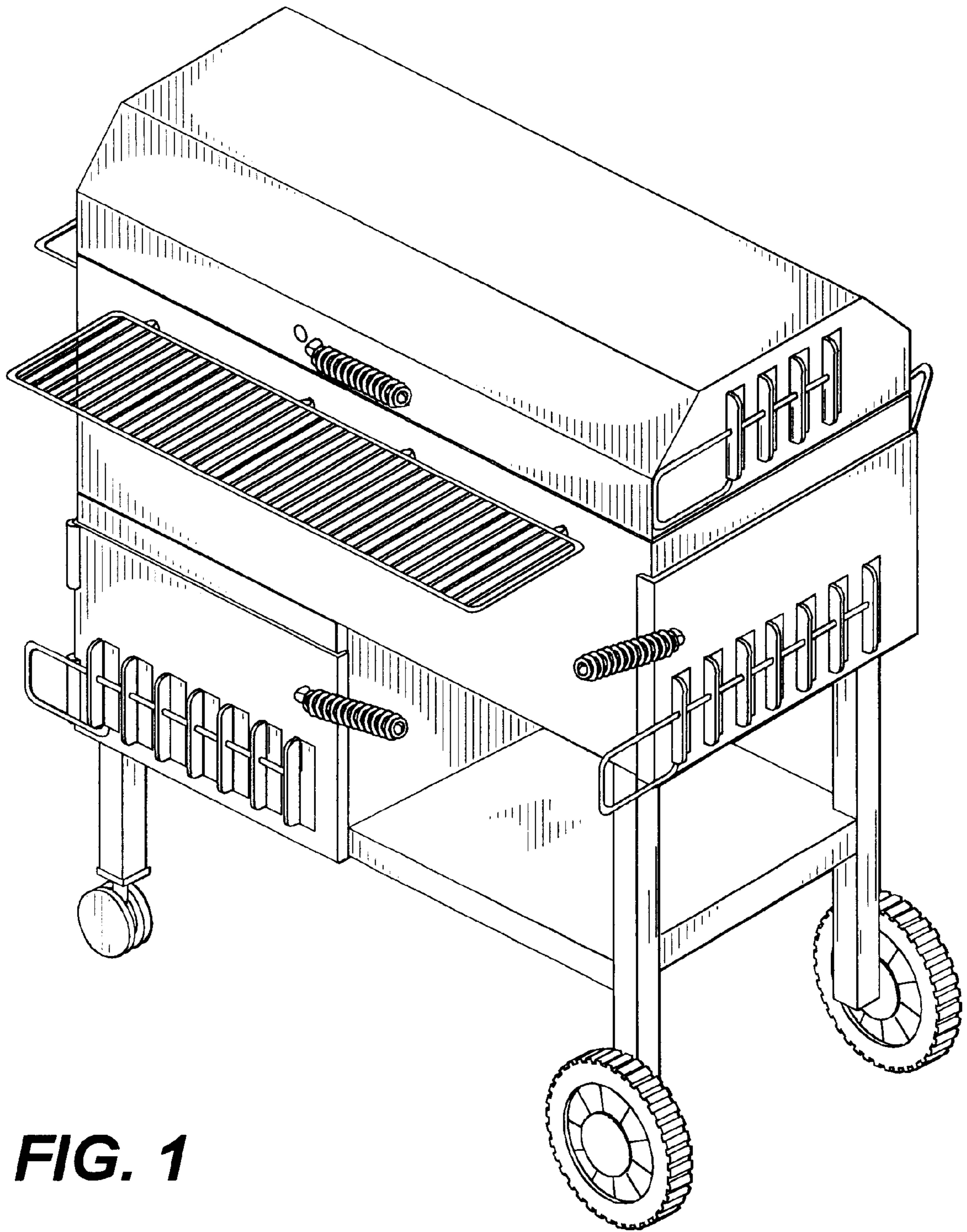


FIG. 1

FIG. 2

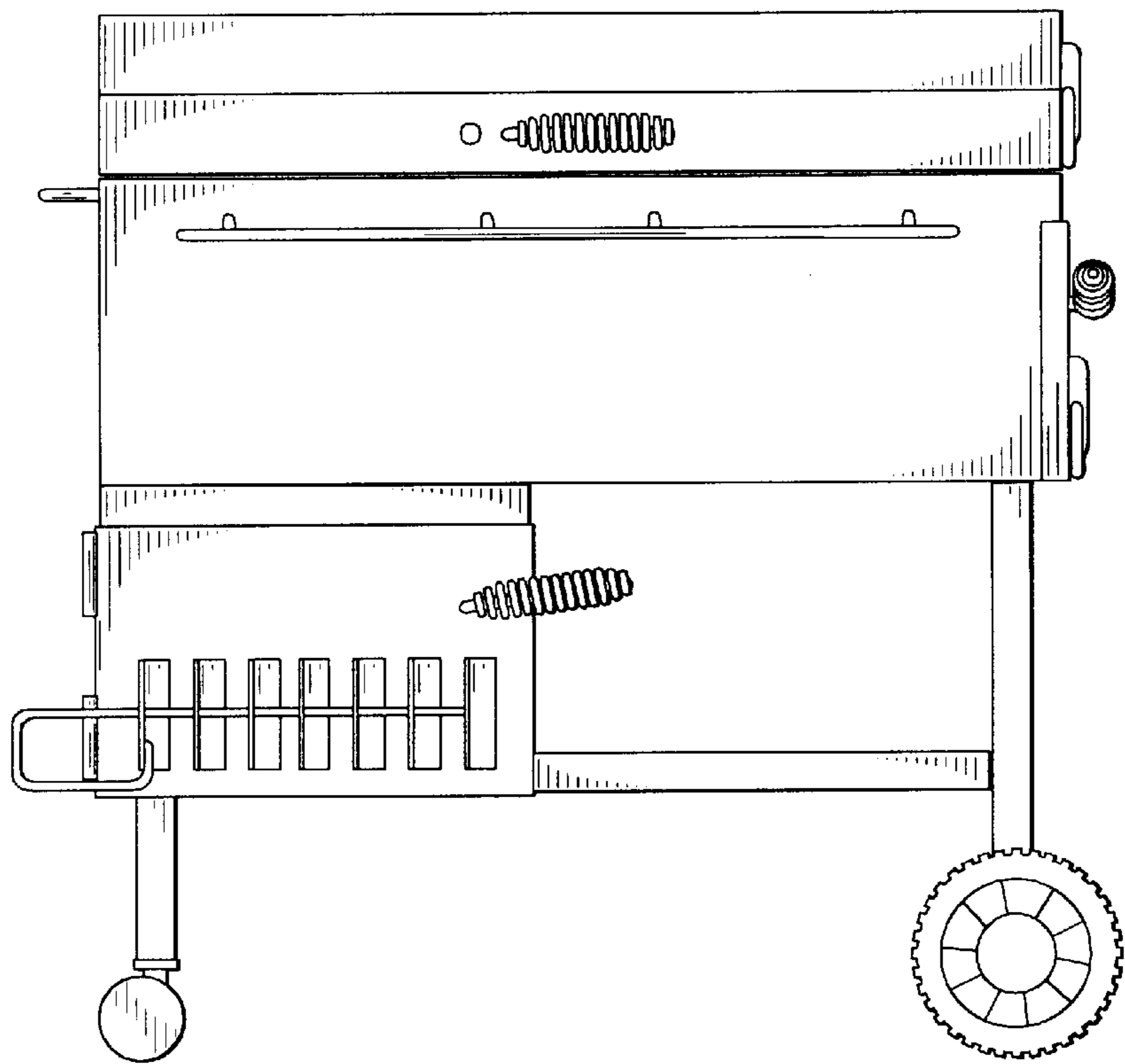


FIG. 3

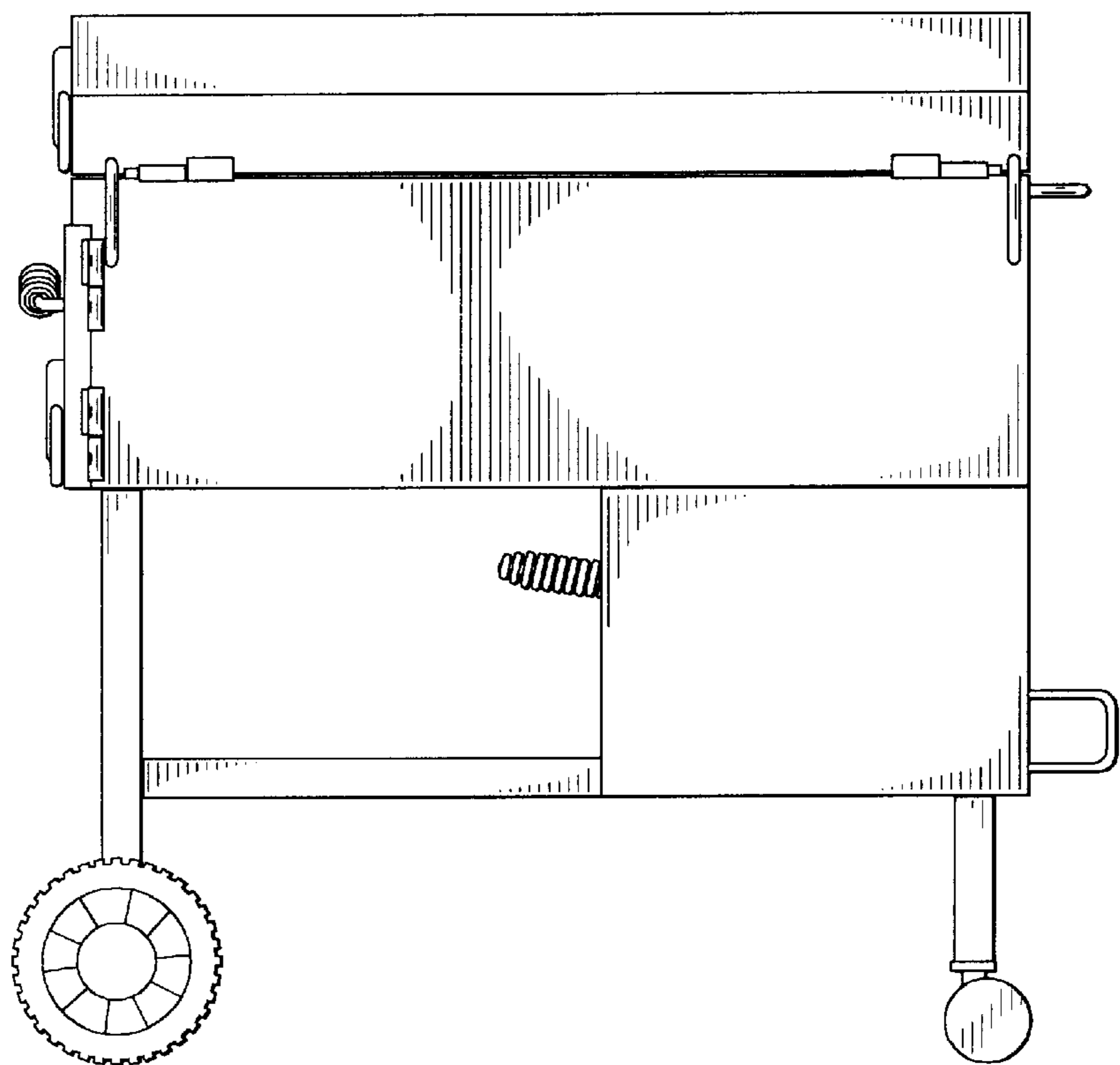


FIG. 4

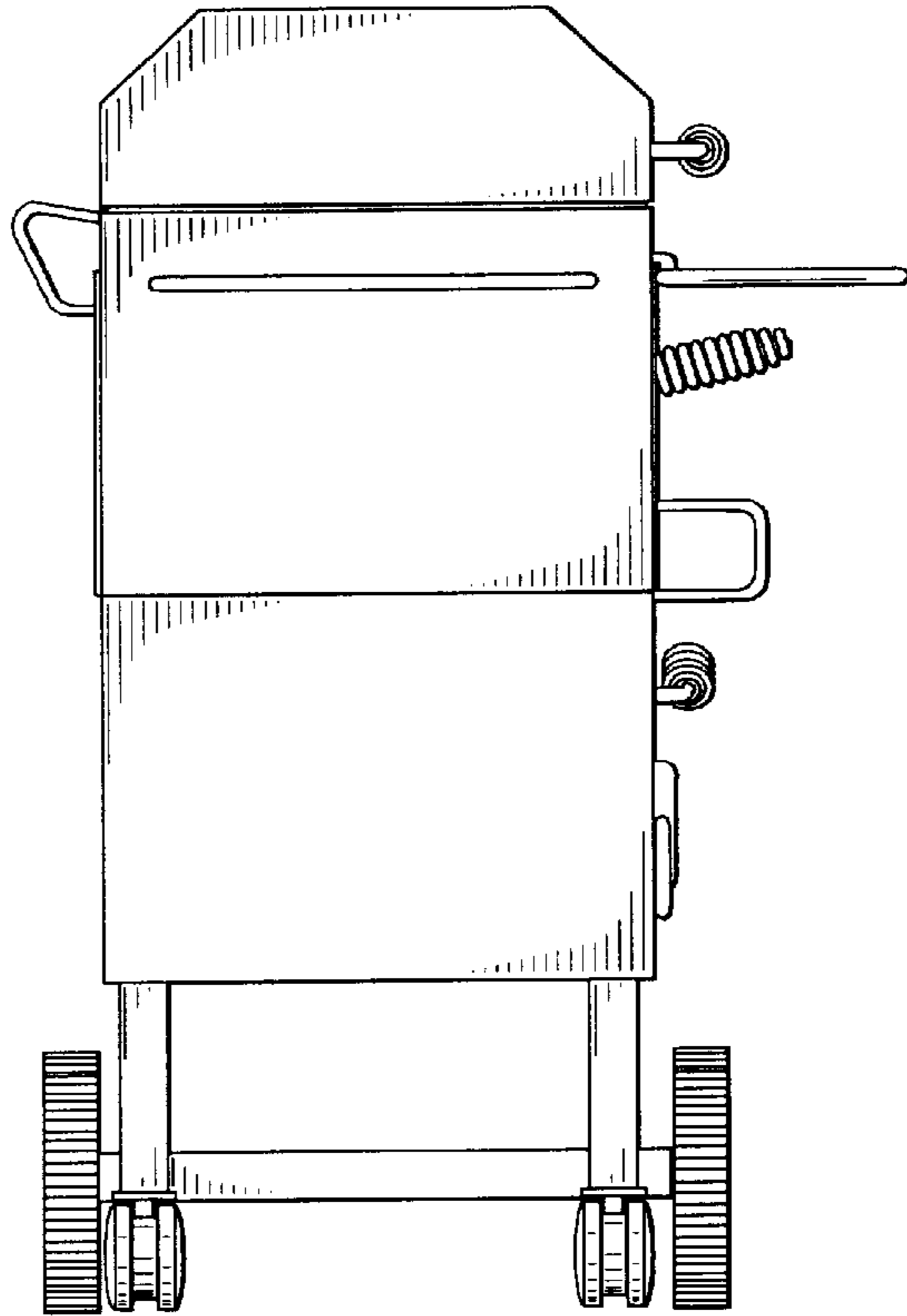


FIG. 5

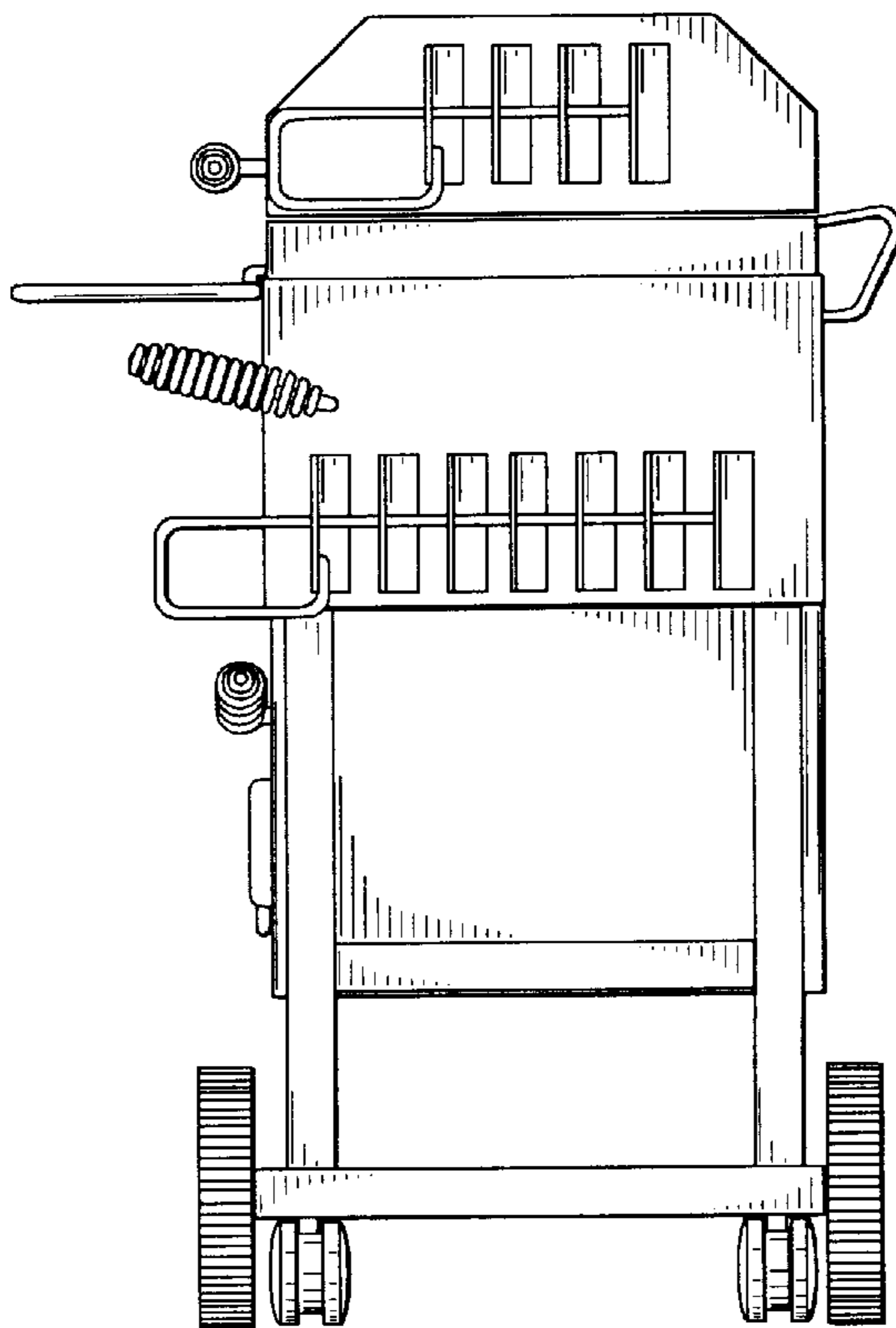


FIG. 6

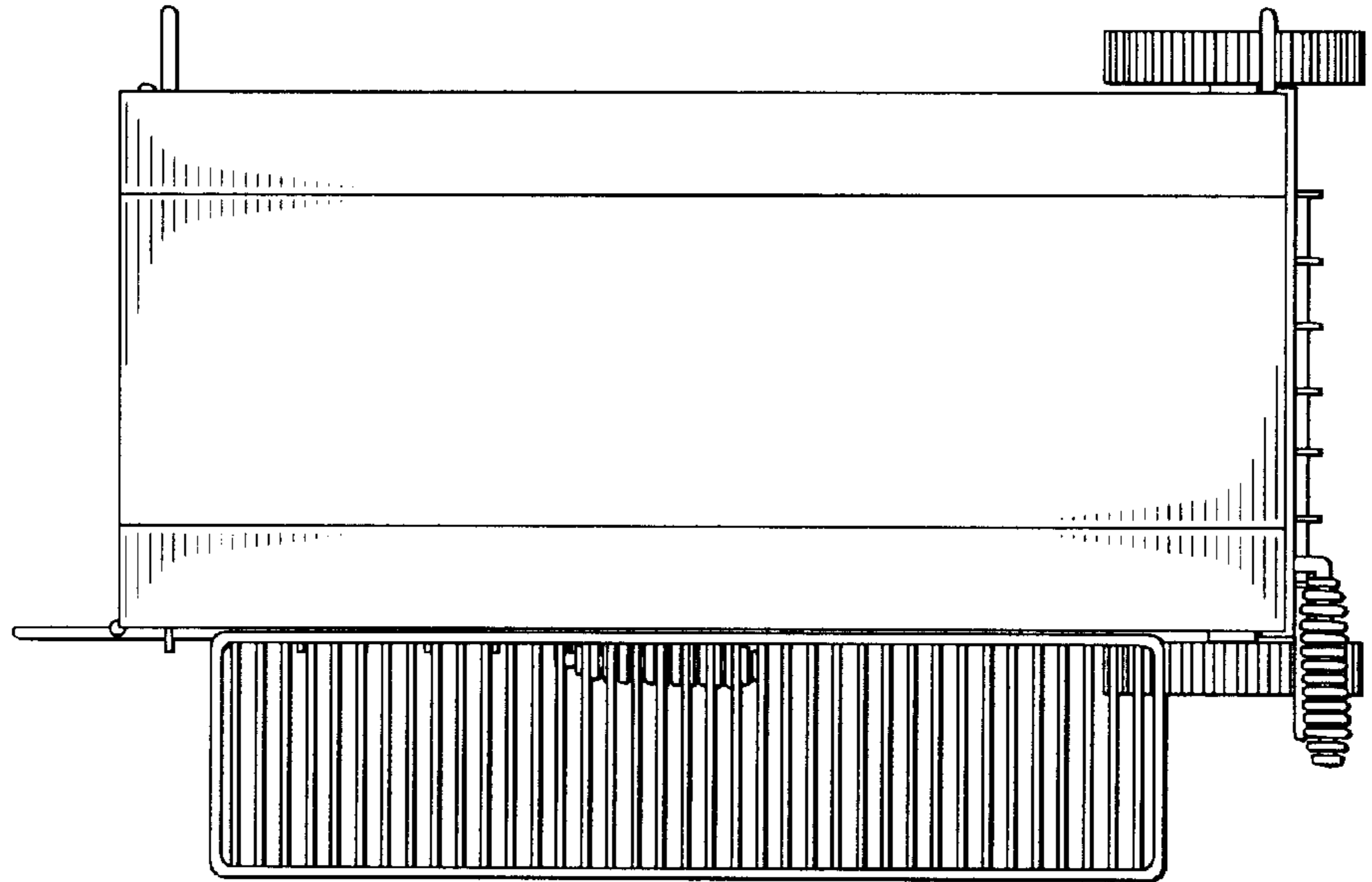


FIG. 7

