



US00D430770S

**United States Patent** [19]  
**Kirkwood**

[11] **Patent Number: Des. 430,770**

[45] **Date of Patent: \*\* Sep. 12, 2000**

[54] **DUAL BREWING COFFEE MACHINE**

[76] Inventor: **Robert William Kirkwood**, 1951 W.  
38th St., Casper, Wyo. 82604

[\*\*] Term: **14 Years**

[21] Appl. No.: **29/113,014**

[22] Filed: **Oct. 28, 1999**

[51] **LOC (7) Cl.** ..... **07-01**

[52] **U.S. Cl.** ..... **D7/307; D7/308; D7/309;**  
**D7/311**

[58] **Field of Search** ..... **D7/300, 305, 306,**  
**D7/307, 308, 309, 310, 311; 99/300, 284,**  
**290, 279, 289 T**

[56] **References Cited**

**U.S. PATENT DOCUMENTS**

D. 274,028	5/1984	Jeans	.....	D7/308
D. 290,330	6/1987	Lagace	.....	D7/306
D. 300,198	3/1989	Eugster	.....	D7/308
D. 309,842	8/1990	Frech	.....	D7/308
D. 311,297	10/1990	Camp	.....	D7/308
D. 409,432	5/1999	O'Keefe	.....	D7/309
4,603,620	8/1986	Daugherty	.....	99/300

4,655,123	4/1987	Schrader	.....	99/279
5,285,718	2/1994	Webster et al.	.....	99/290
5,896,806	4/1999	Tio	.....	99/289 T

*Primary Examiner*—M. N. Pandozzi

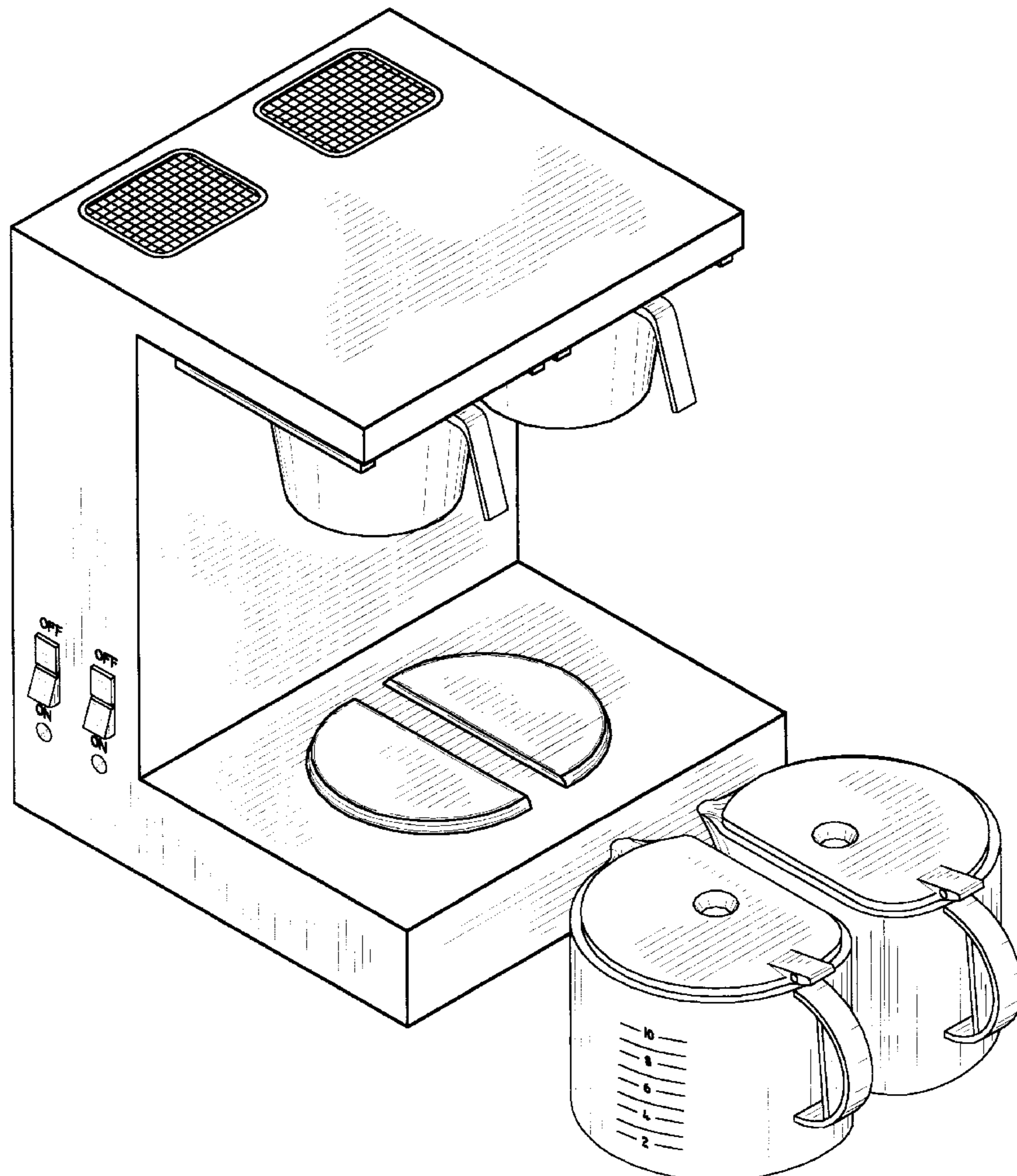
[57] **CLAIM**

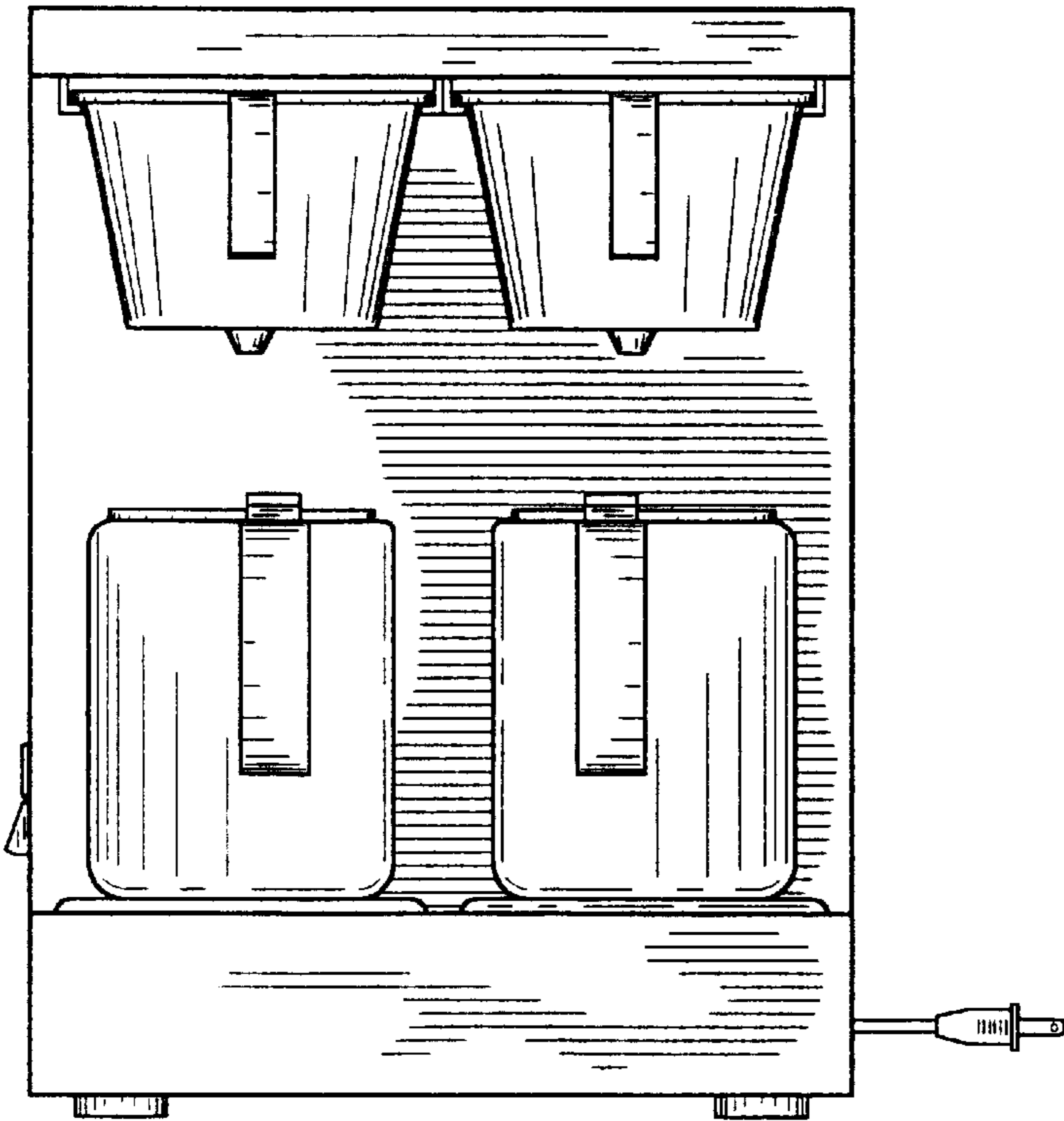
The ornamental design for a dual brewing coffee machine, as shown and described.

**DESCRIPTION**

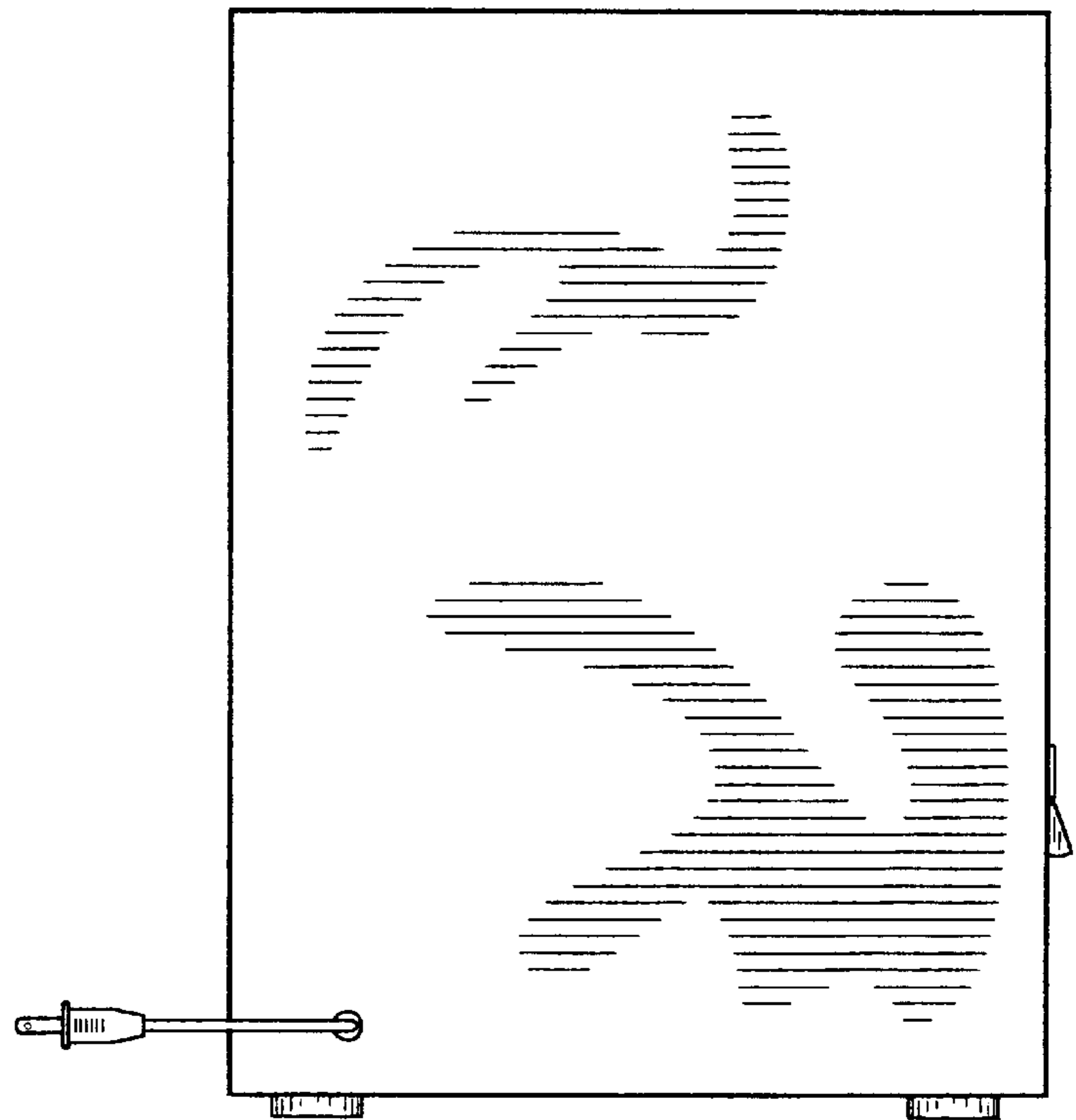
FIG. 1 is a front elevational view of the dual brewing coffee machine of the present invention;  
 FIG. 2 is a rear elevational view of the dual brewing coffee machine of FIG. 1;  
 FIG. 3 is a left side elevational view of the dual brewing coffee machine of FIG. 1;  
 FIG. 4 is a right side elevational view of the dual brewing coffee machine of FIG. 1;  
 FIG. 5 is a top plan view of the dual brewing coffee machine of FIG. 1;  
 FIG. 6 is a bottom plan view of the dual brewing coffee machine of FIG. 1; and,  
 FIG. 7 is a top, front, left side perspective view of the dual brewing coffee machine of FIG. 1 in an alternate position.

**1 Claim, 4 Drawing Sheets**





*Fig. 1*



*Fig. 2*

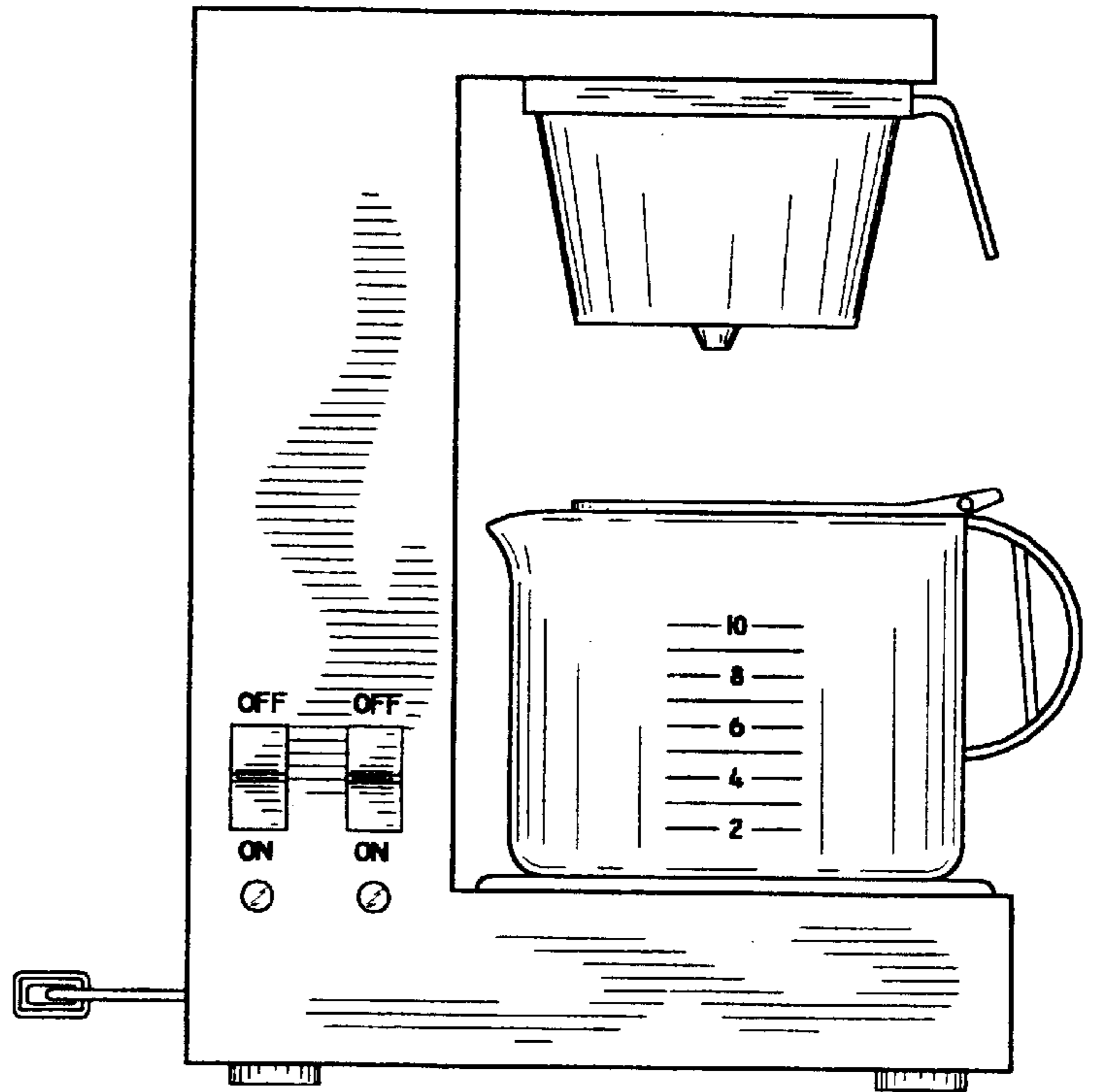


Fig. 3

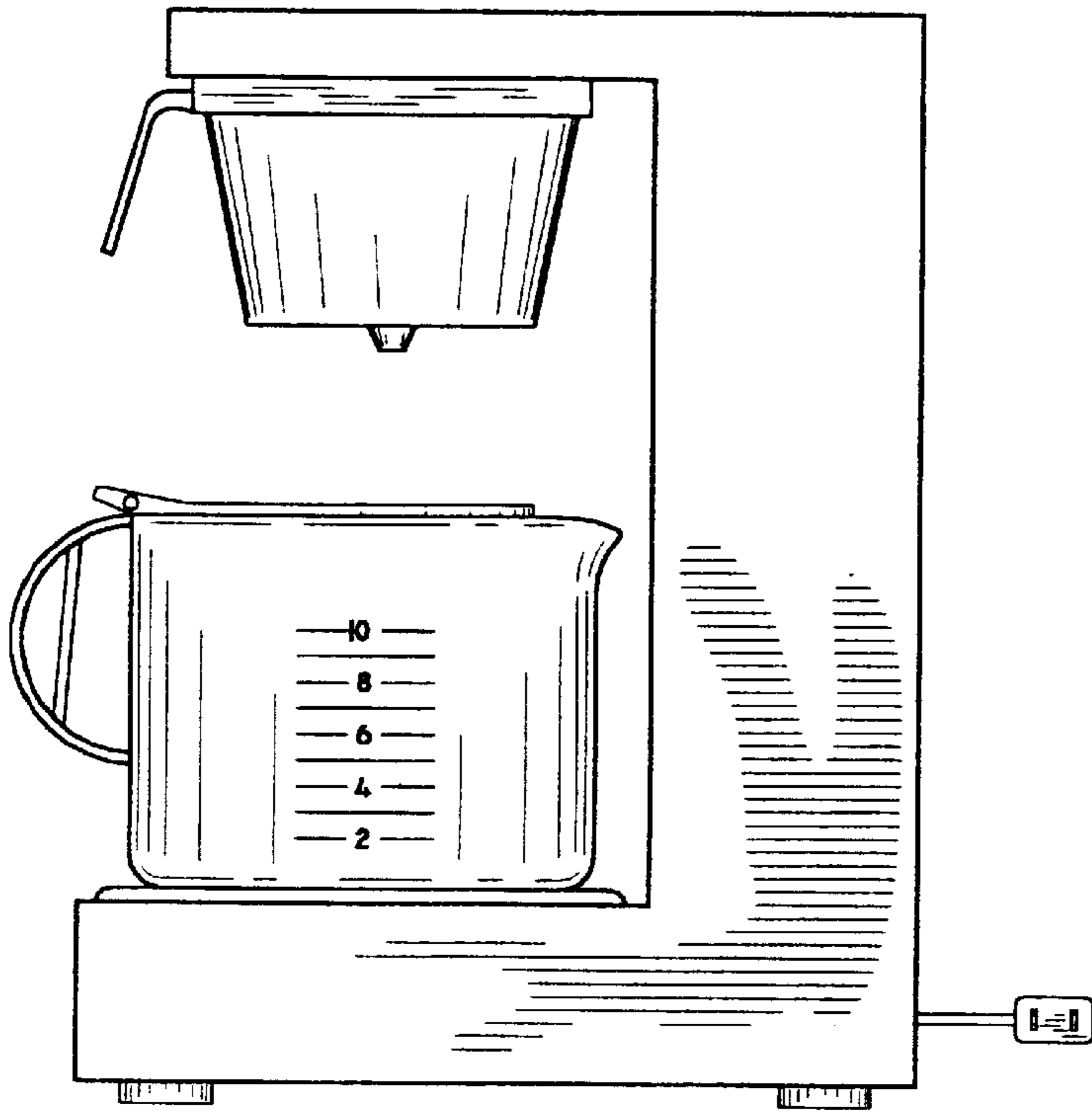
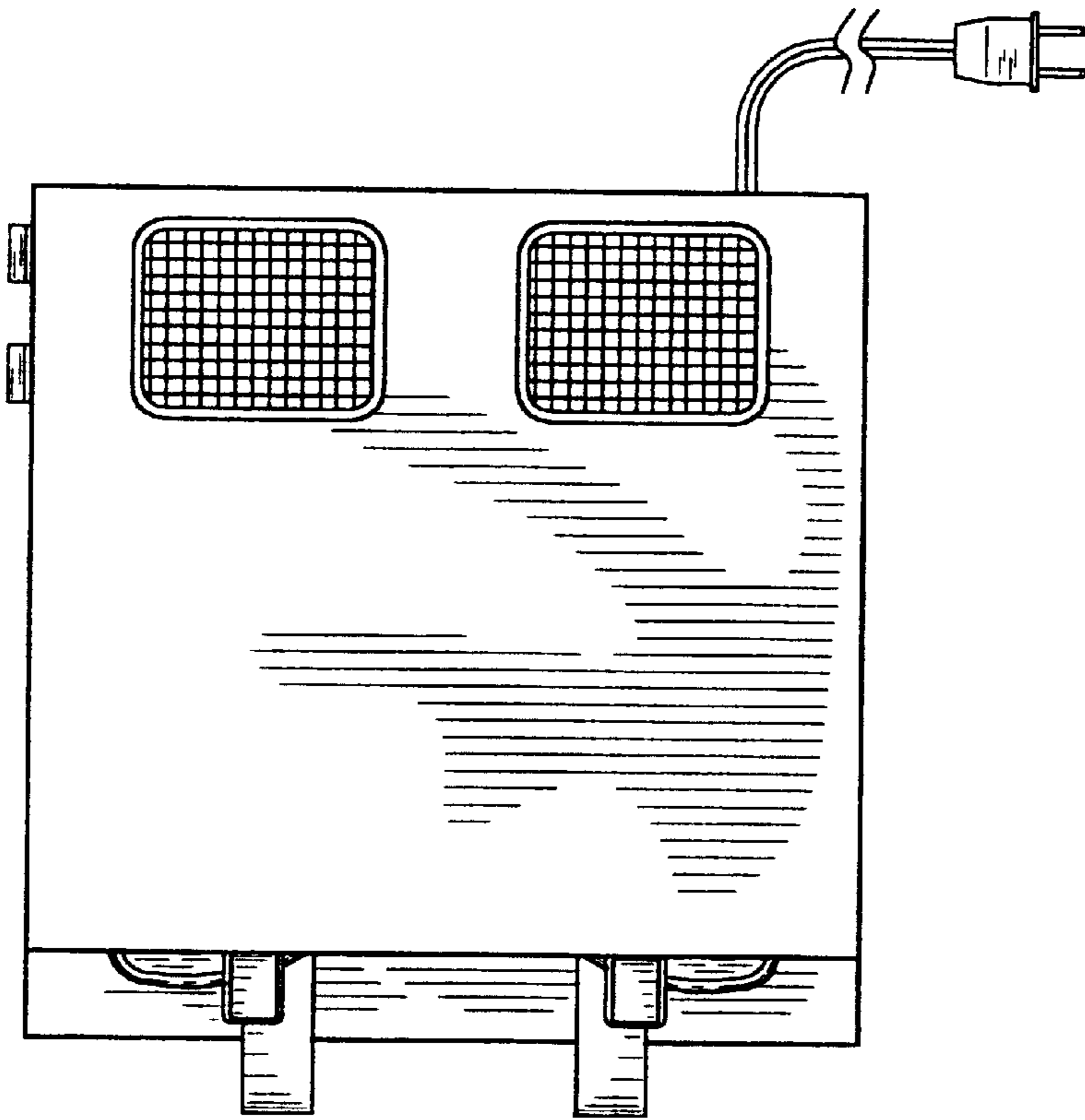
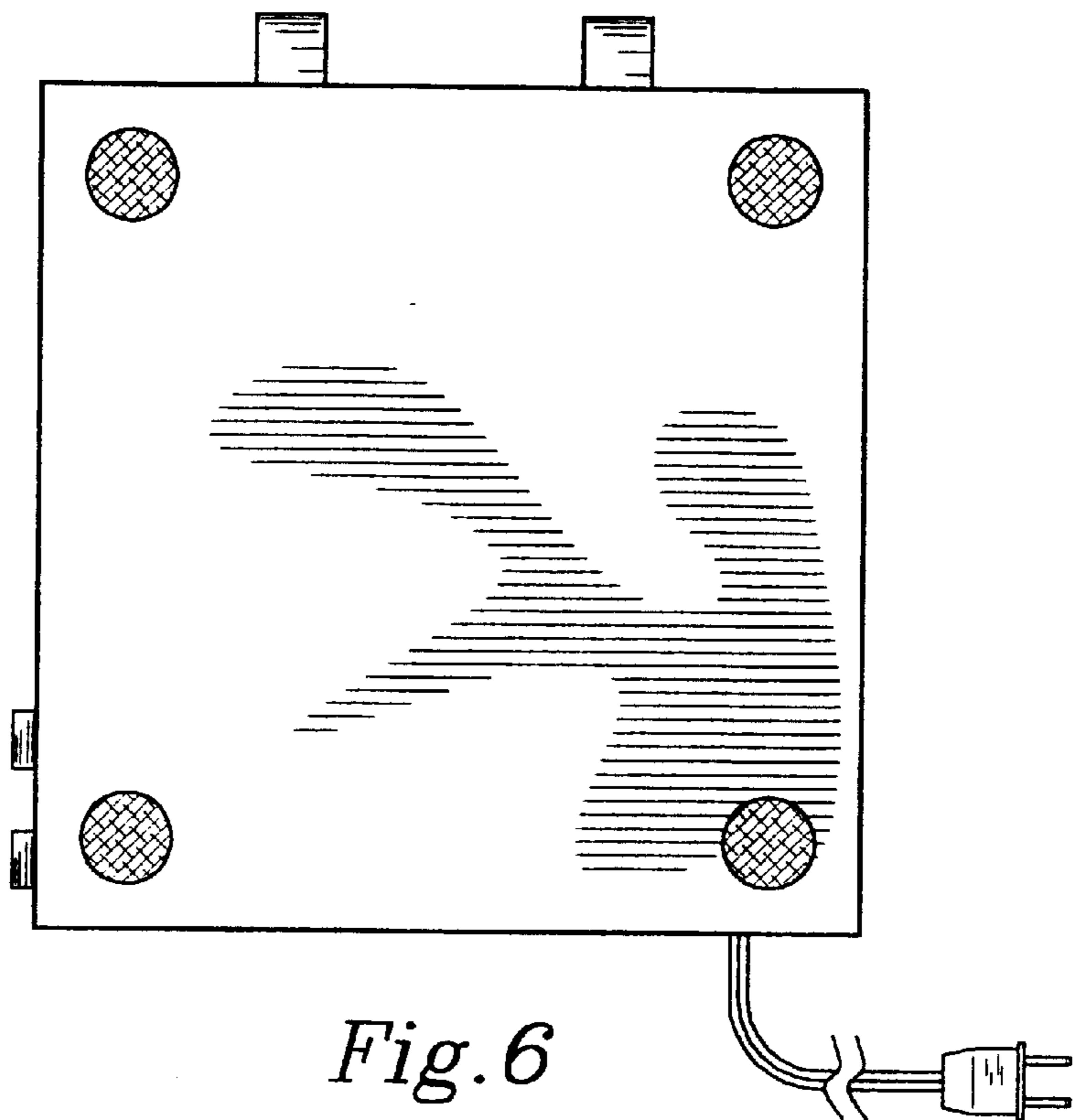


Fig. 4



*Fig. 5*



*Fig. 6*

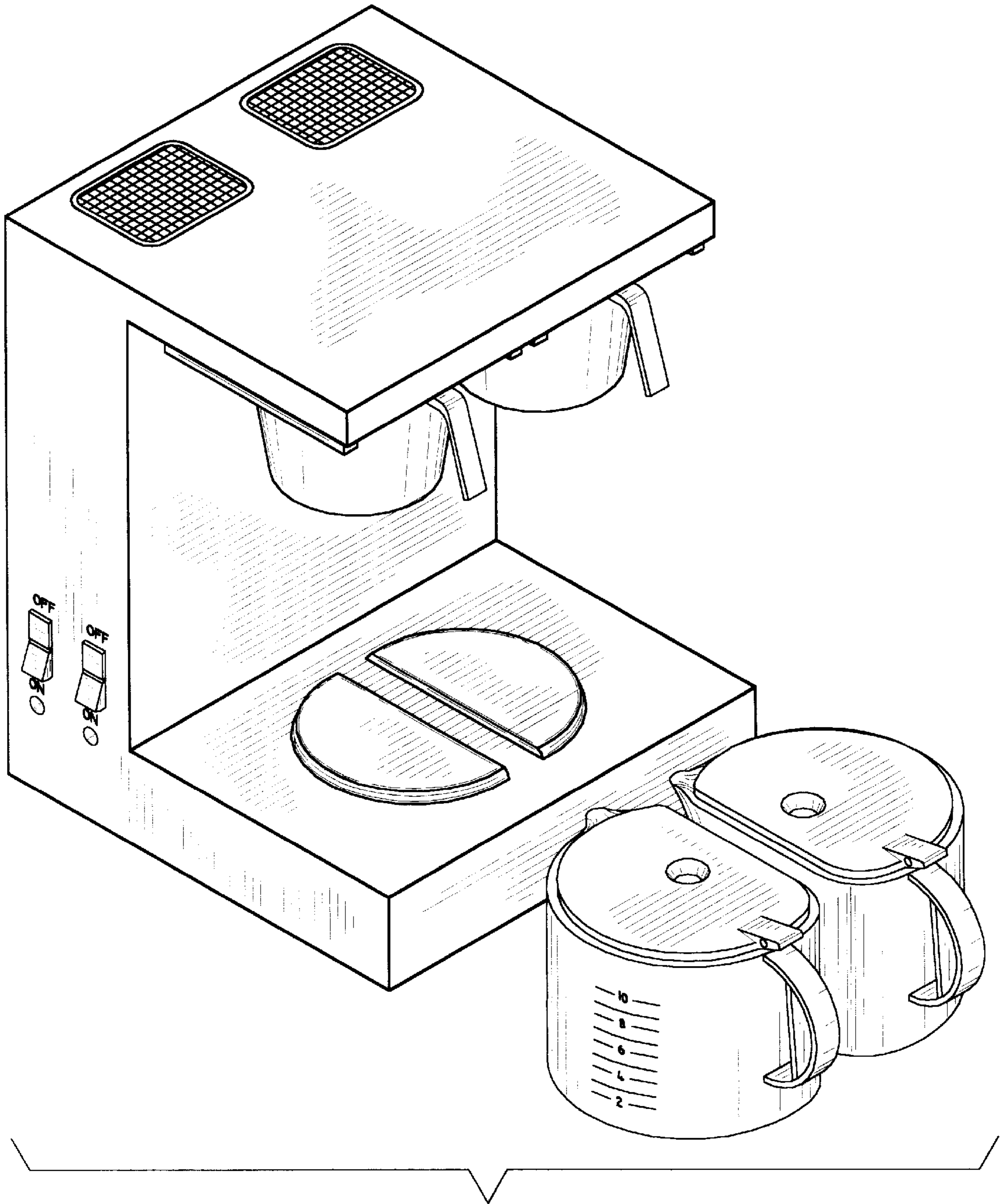


Fig. 7