



US00D430766S

United States Patent [19]

Sorensen et al.

[11] Patent Number: Des. 430,766

[45] Date of Patent: ** Sep. 12, 2000

[54] SHELF

[75] Inventors: **Robert L. Sorensen**, Dacula; **Kevin K. Maggert**, Lawrenceville, both of Ga.

[73] Assignee: **ROK Solid Products, Inc.**, Lawrenceville, Ga.

[**] Term: **14 Years**

[21] Appl. No.: **29/116,312**

[22] Filed: **Jan. 2, 2000**

Related U.S. Application Data

[63] Continuation of application No. 29/107,769, Jul. 13, 1999, abandoned.

[51] **LOC (7) Cl.** **06-04**

[52] **U.S. Cl.** **D6/574**

[58] **Field of Search** D6/511, 567, 574; 211/71, 74, 75, 86-90, 70.6, 13.1; 248/220.2, 235

[56] References Cited

U.S. PATENT DOCUMENTS

D. 242,408	11/1976	Enckler	D6/574
D. 281,040	10/1985	Campbell et al.	D6/574
D. 299,687	2/1989	Handler et al.	D6/574
D. 372,620	8/1996	Tisbo	.	
D. 392,144	3/1998	Vogler	D6/574
D. 394,775	6/1998	Anderson et al.	D6/574
D. 412,421	8/1999	Belokin et al.	D6/574
2,996,192	8/1961	Dell et al.	.	
3,737,131	6/1973	Larson	.	
3,844,231	10/1974	Peacock	.	
4,064,991	12/1977	Swanson	.	
4,632,256	12/1986	Gambello	.	
5,080,311	1/1992	Engstrom	.	
5,641,083	6/1997	Metcalf	.	
5,711,435	1/1998	Morison et al.	.	
5,743,416	4/1998	Yemini	.	
5,769,520	6/1998	Jun et al.	.	

OTHER PUBLICATIONS

24 Inch Tool Rack, Model No. 08-024, Akro-Mils, Label from product.

Garage Organizers, Suncoast, Website page.

Home Storage and Organization Program, Crawford Products a company of The Lehigh Group, Website page.

Stanley StudGrabber Utility Hook, Stanley Works Company, Website page.

Tool Master, Product No. 11-62439-2, Handsome Rewards Catalog.

Primary Examiner—Brian N. Vinson

Attorney, Agent, or Firm—James L. Ewing, IV; Kristin L. Johnson; Kilpatrick Stockton LLP

[57] CLAIM

The ornamental design for a shelf, as shown and described.

DESCRIPTION

FIG. 1 is a top, rear, and left side perspective view of a first embodiment of a shelf showing our new design;

FIG. 2 is a bottom, front and left side perspective view thereof;

FIG. 3 is a rear elevational view thereof;

FIG. 4 is bottom plan view thereof;

FIG. 5 is a front elevational view thereof;

FIG. 6 is a top plan view thereof;

FIG. 7 is an enlarged right side elevational view thereof;

FIG. 8 is an enlarged left side elevational view thereof;

FIG. 9 is a top, rear, and left side perspective view of a second embodiment of a shelf showing our new design;

FIG. 10 is a bottom, front, and left side perspective view thereof;

FIG. 11 is a rear elevational view thereof;

FIG. 12 is bottom plan view thereof;

FIG. 13 is a front elevational view thereof;

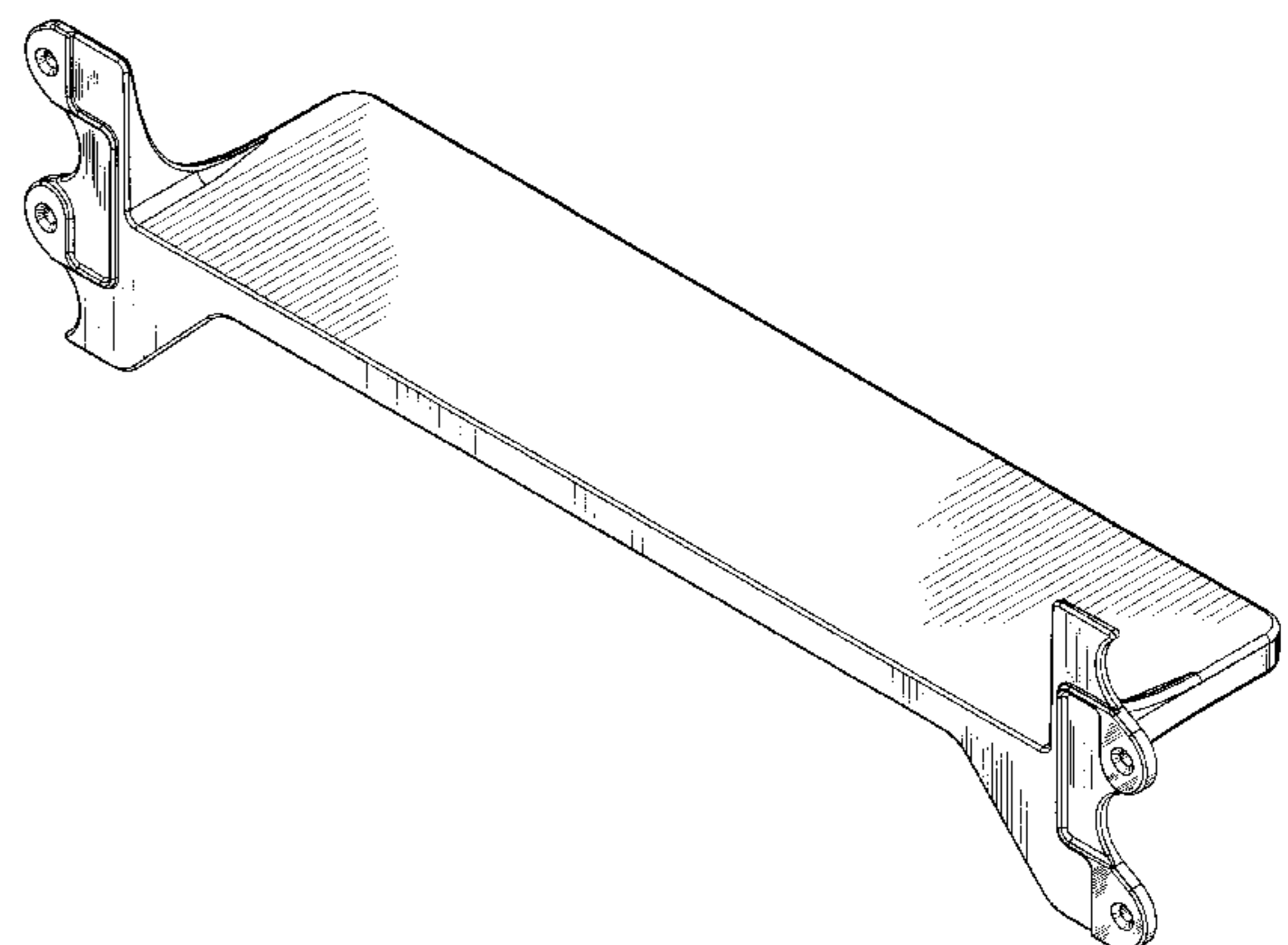
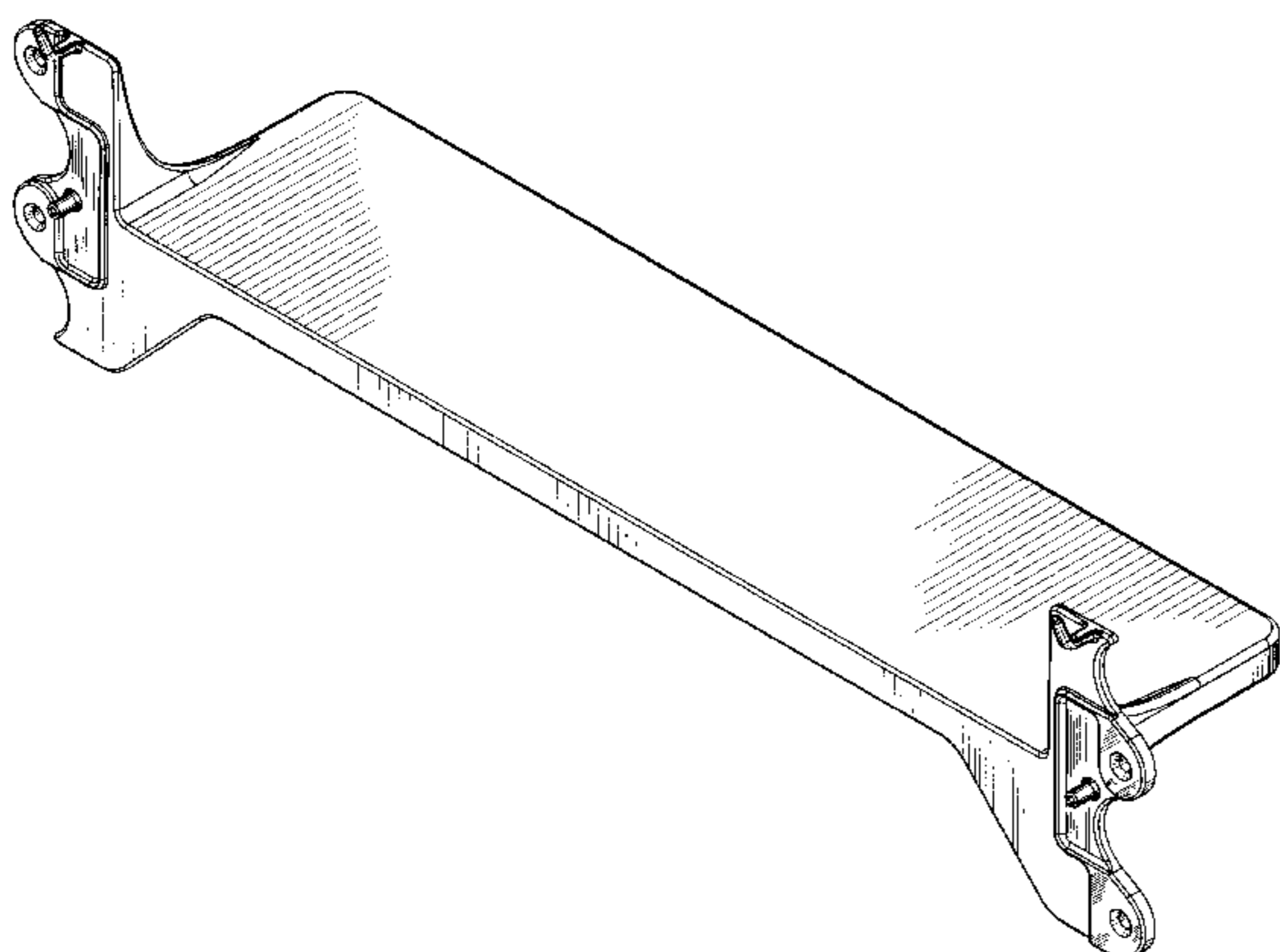
FIG. 14 is a top plan view thereof;

FIG. 15 is an enlarged right side elevational view thereof; and,

FIG. 16 is an enlarged left side elevational view thereof.

The broken-line disclosure in FIGS. 2, 4, 10, and 12 is for illustrative purposes only and forms no part of the claimed design.

1 Claim, 6 Drawing Sheets



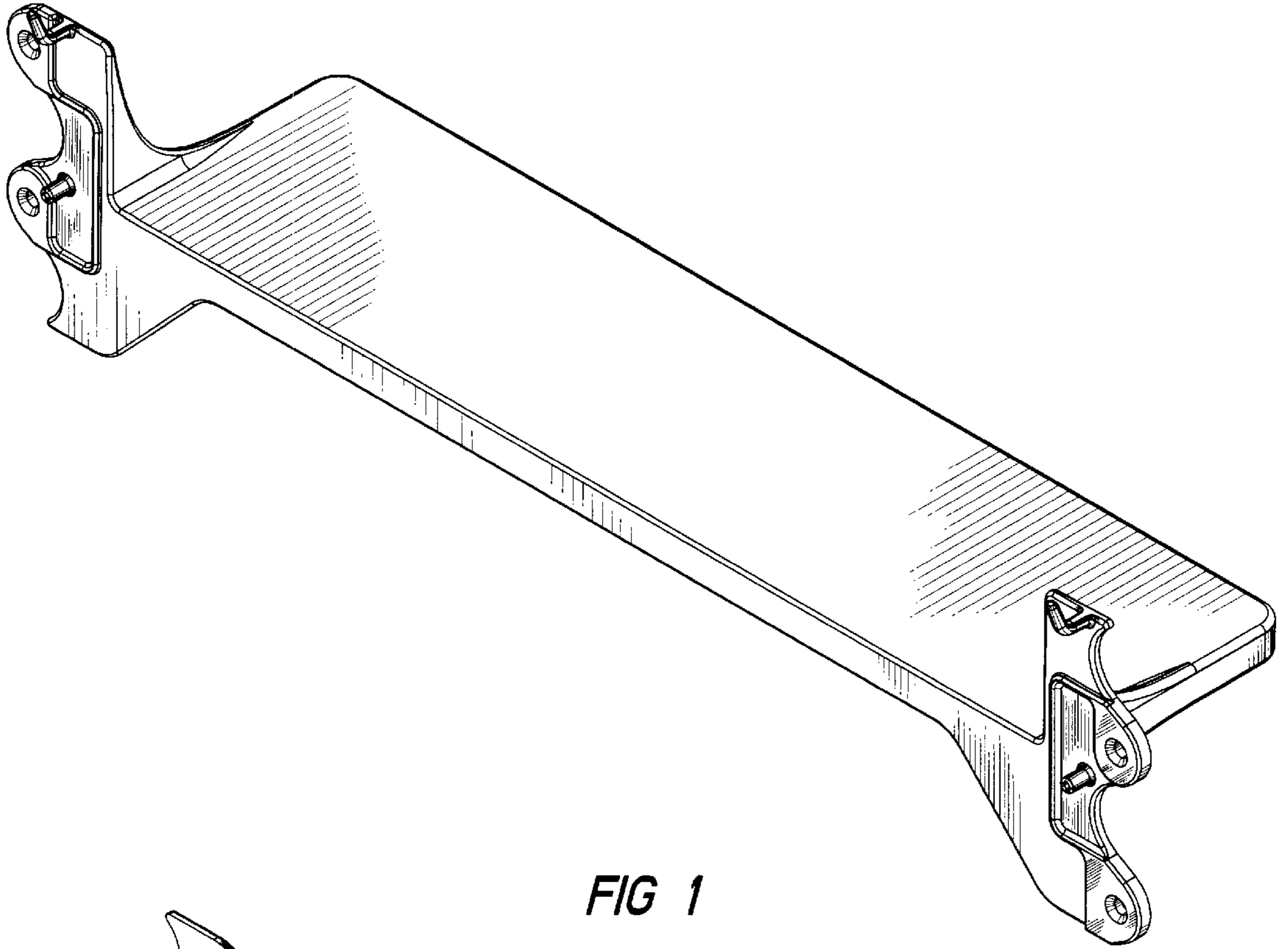


FIG 1

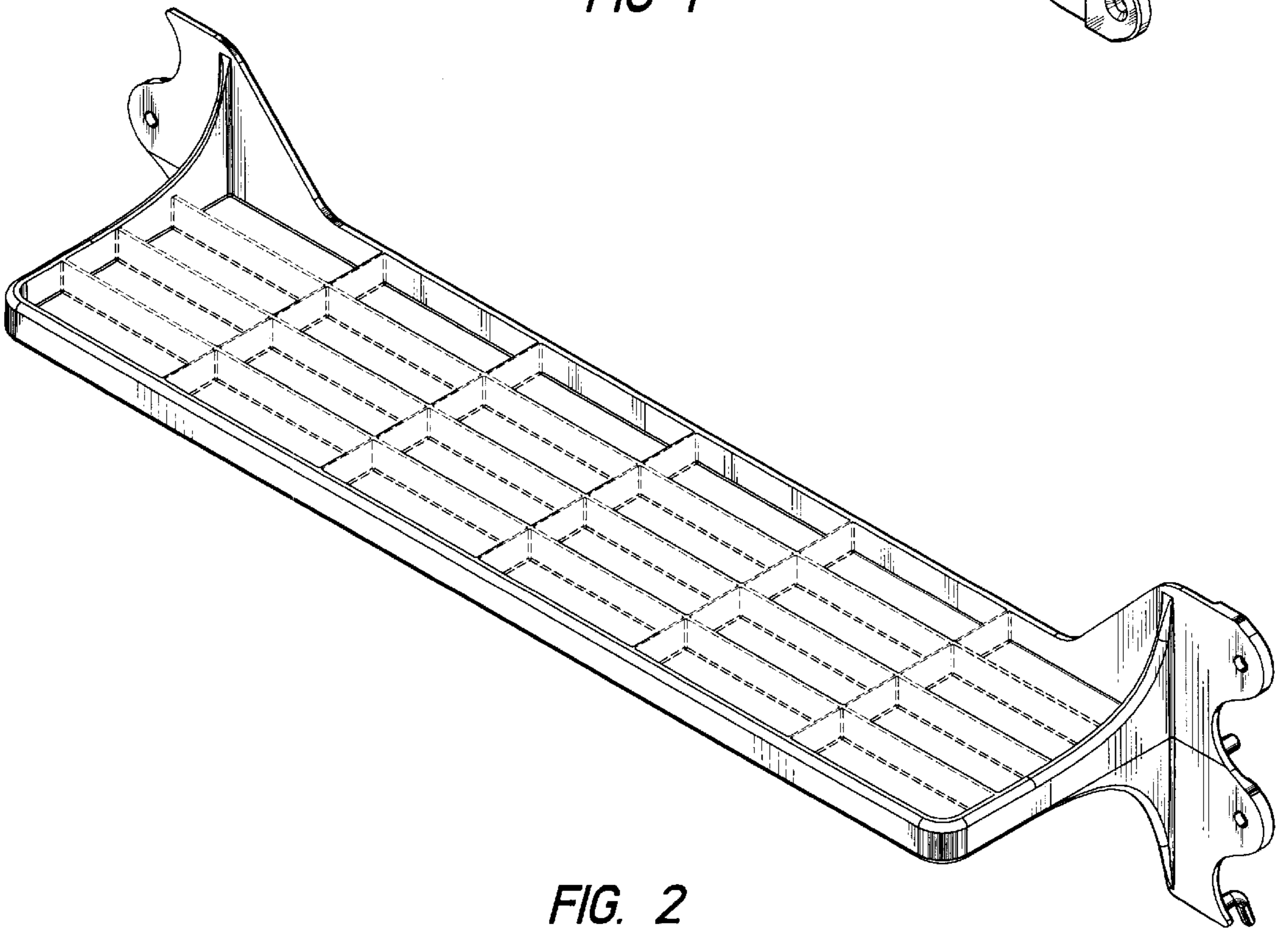


FIG. 2

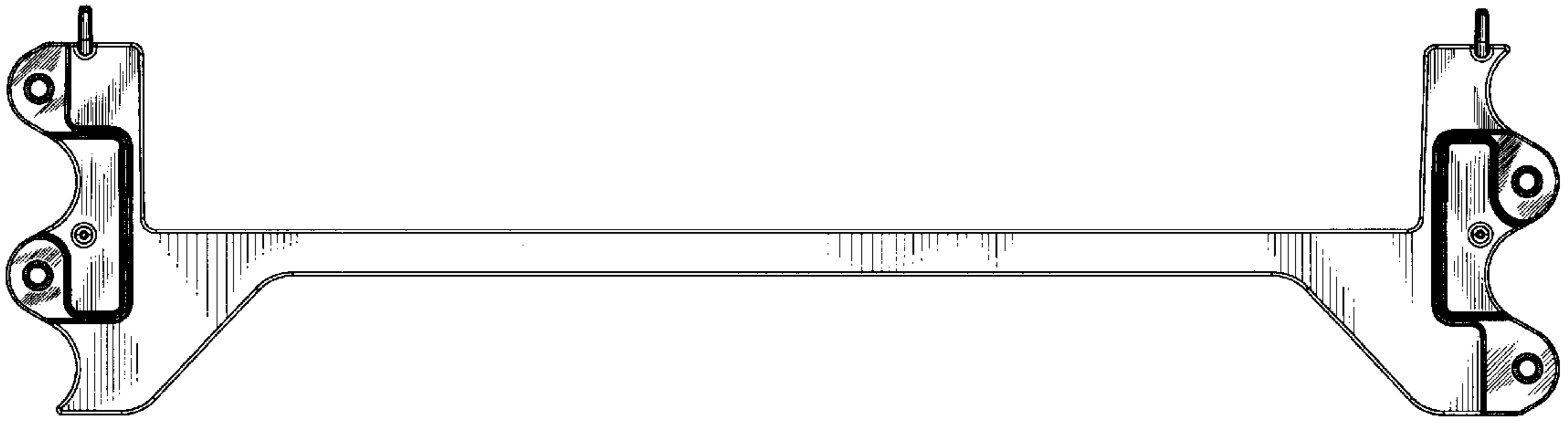


FIG. 3

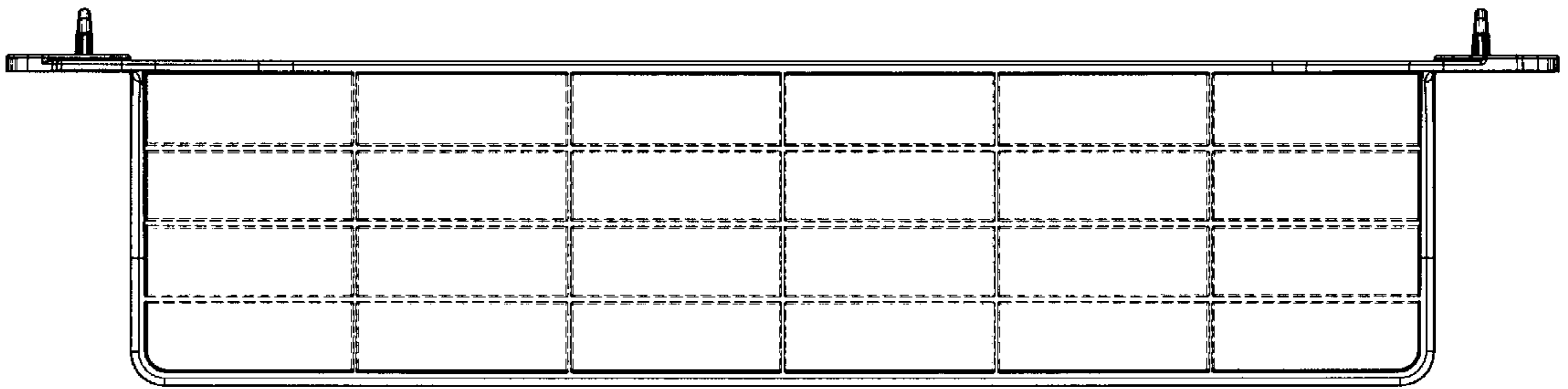


FIG. 4

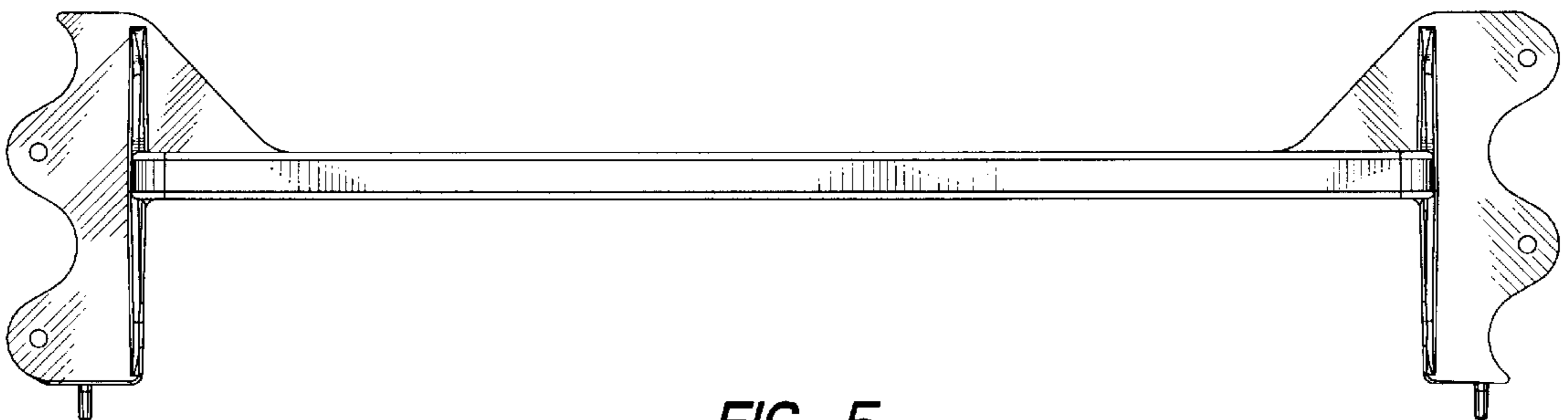


FIG. 5

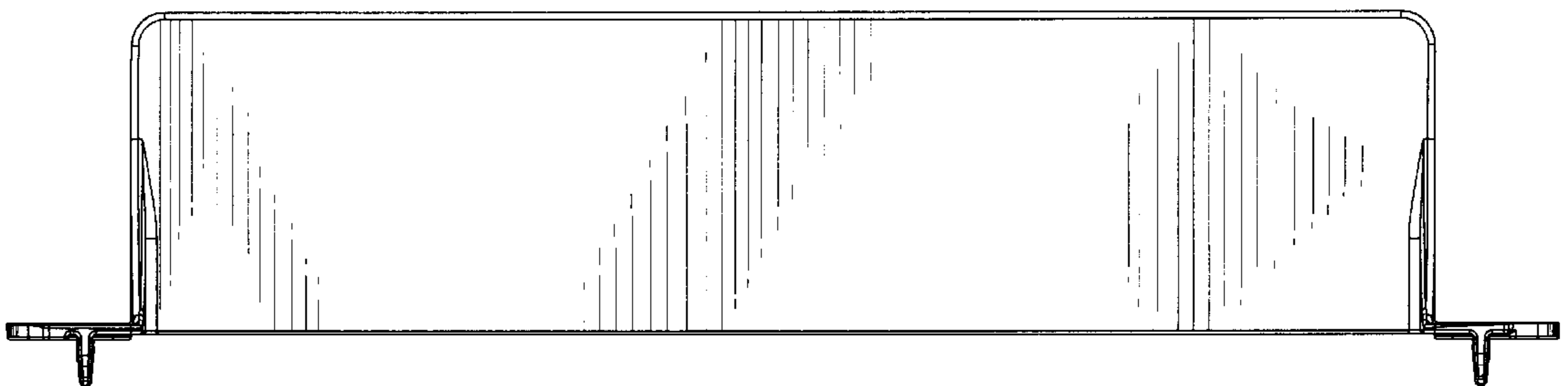


FIG. 6

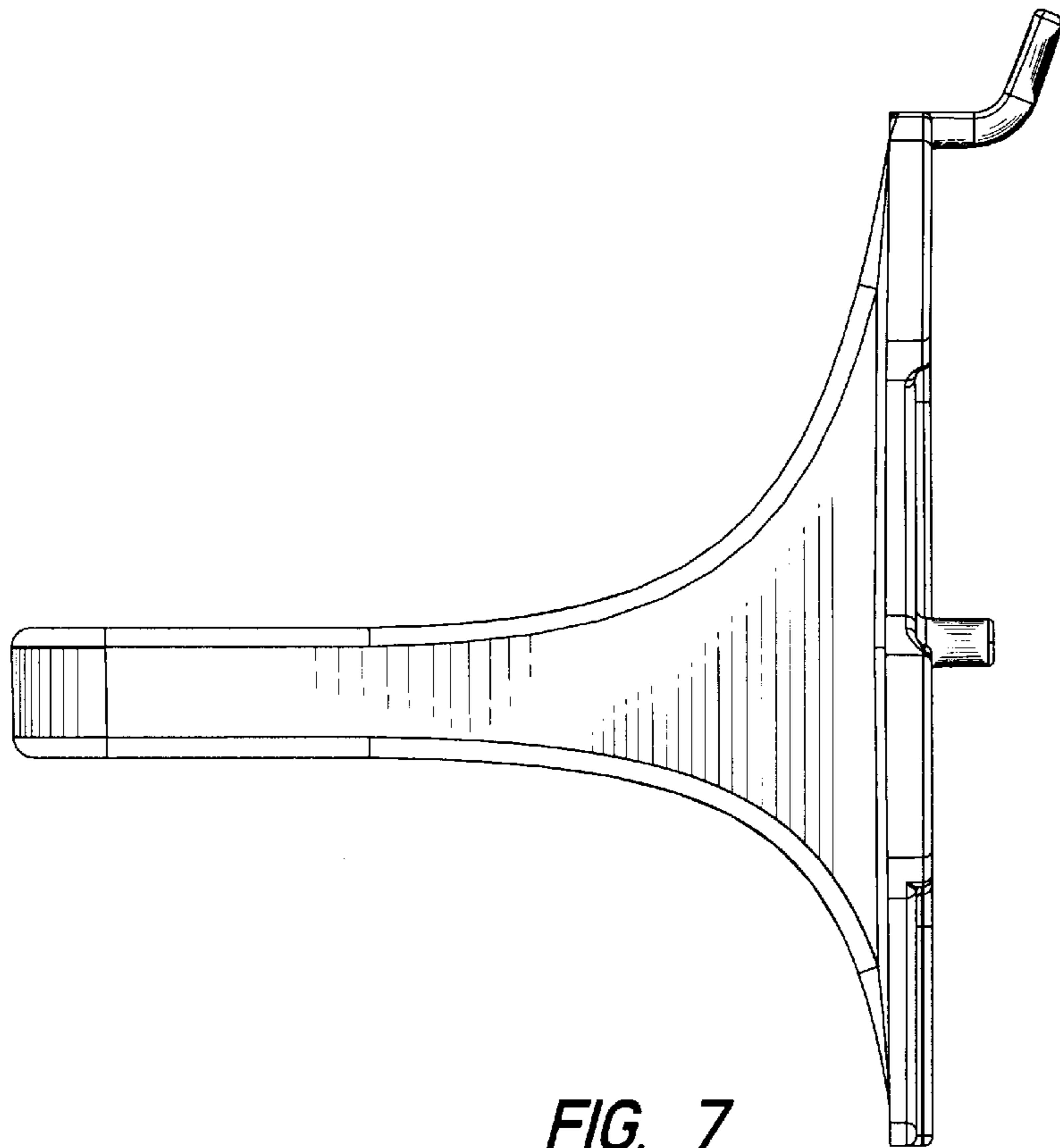


FIG. 7

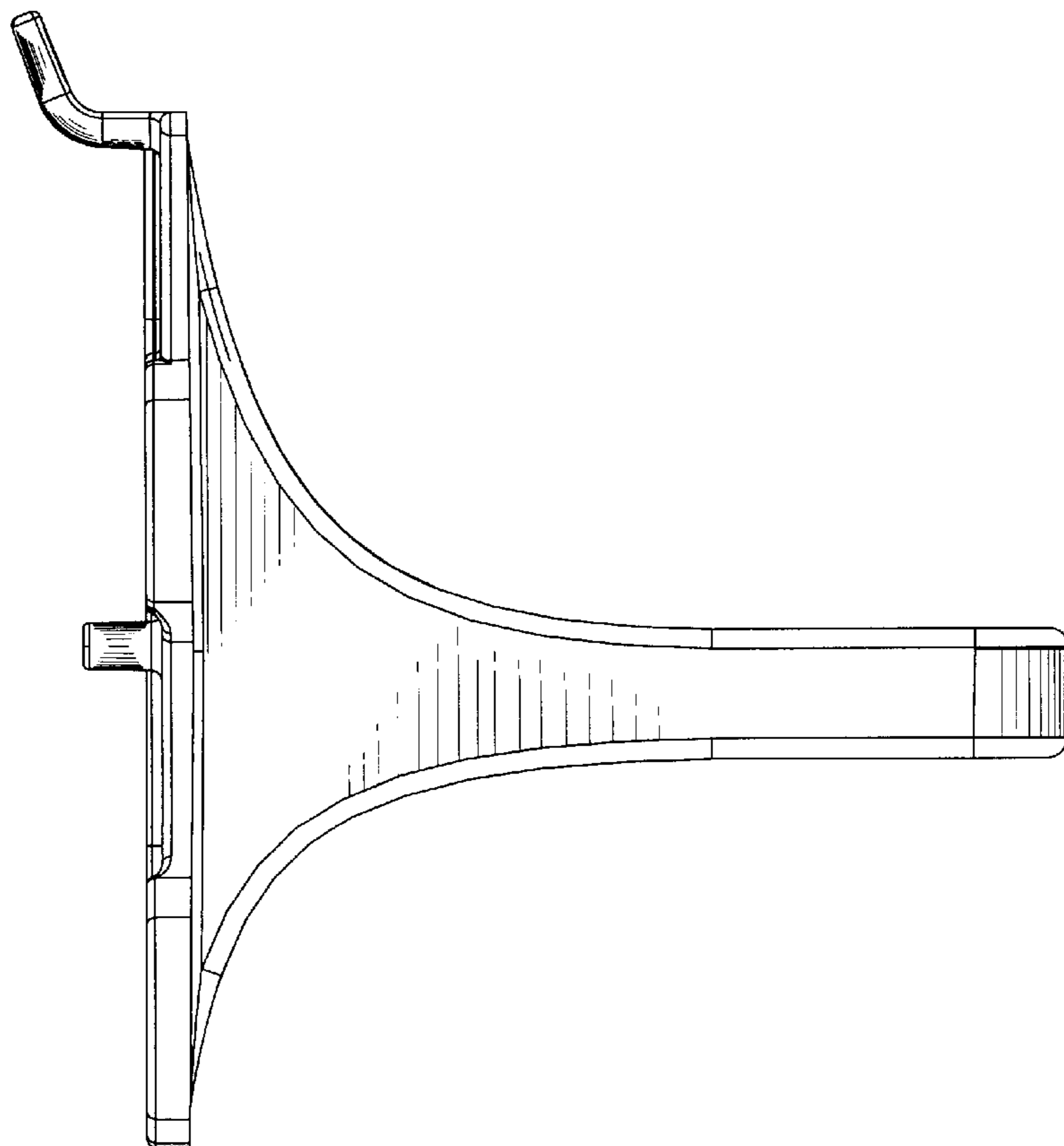


FIG. 8

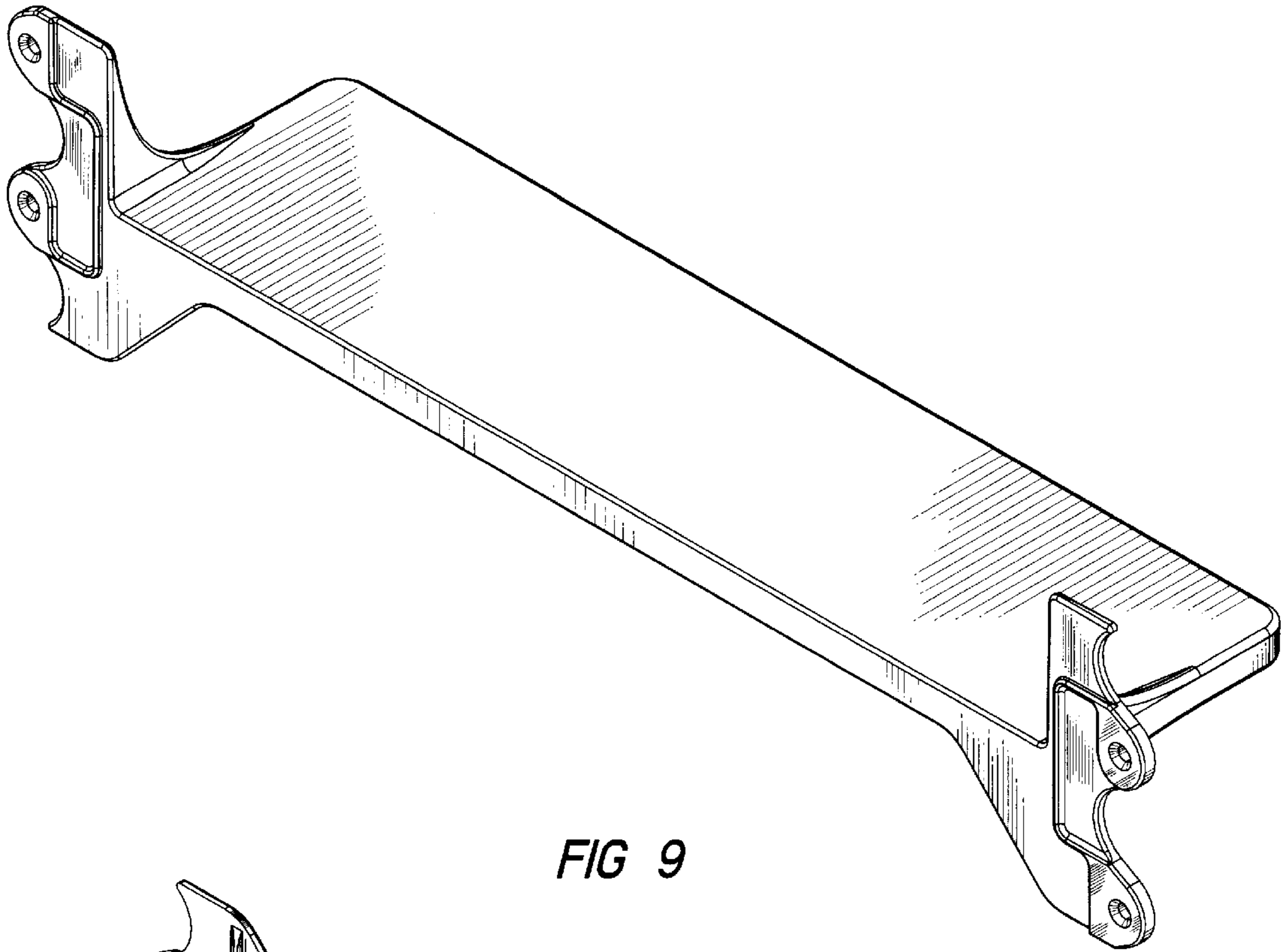


FIG 9

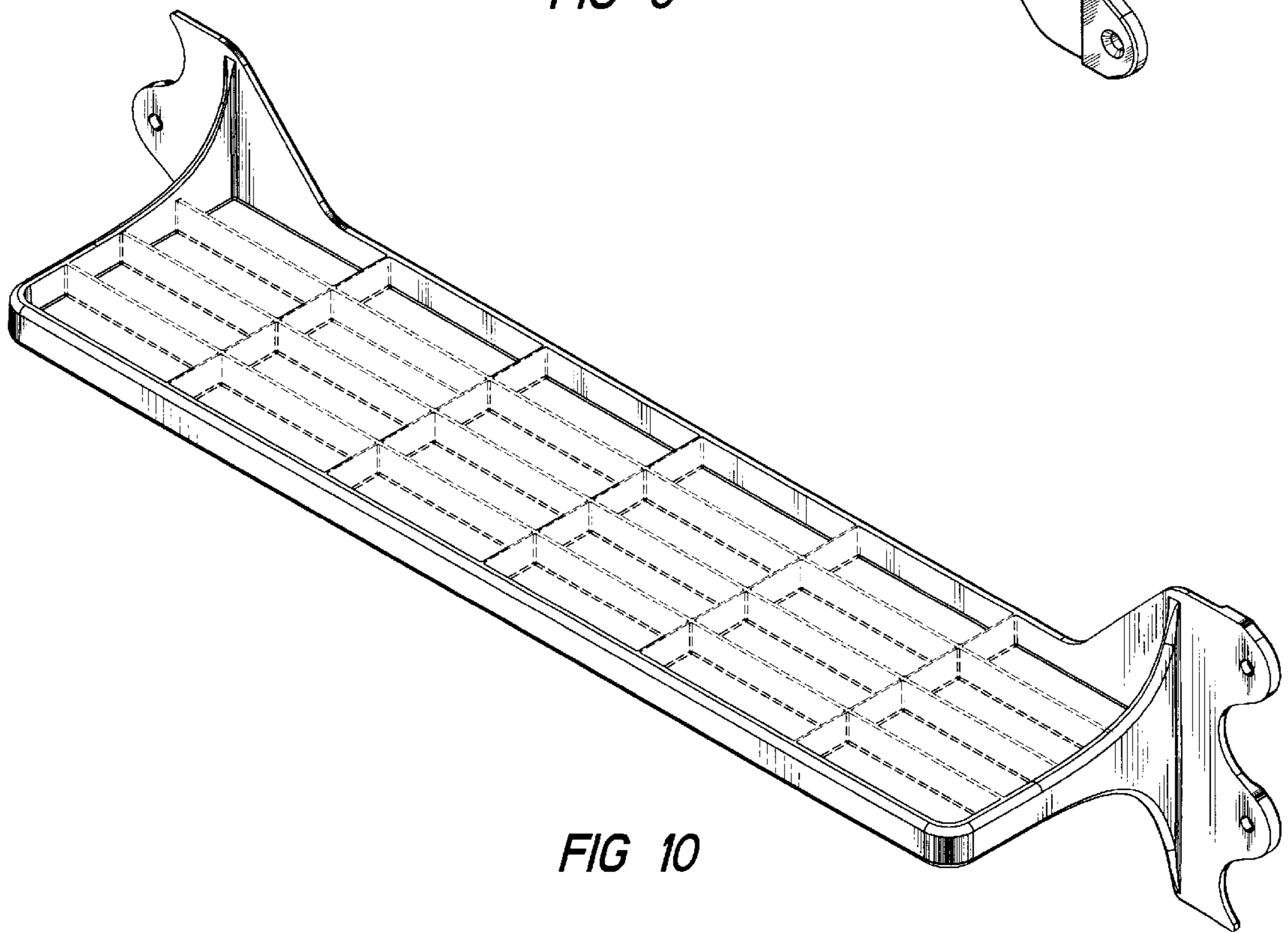


FIG 10

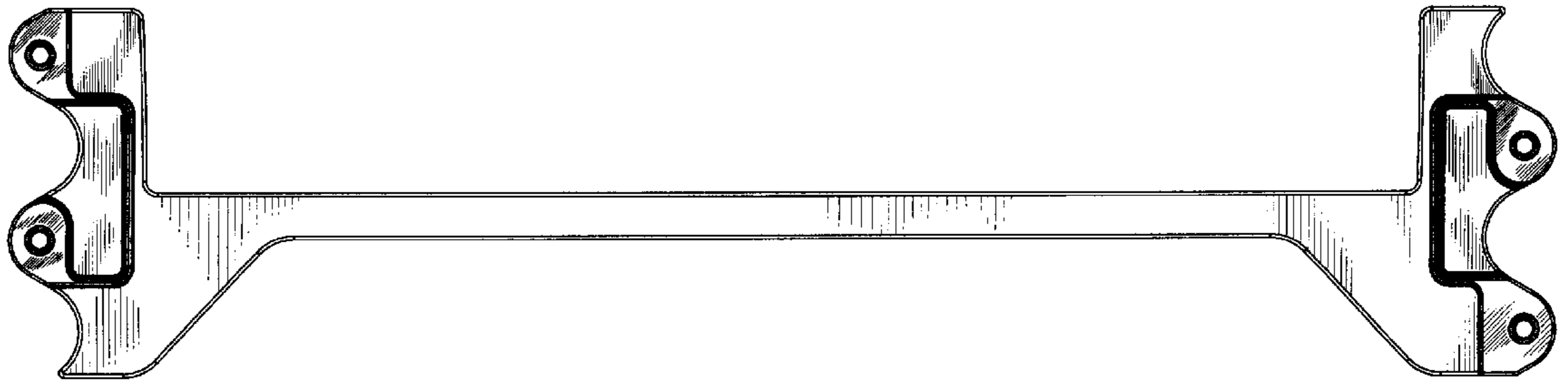


FIG 11

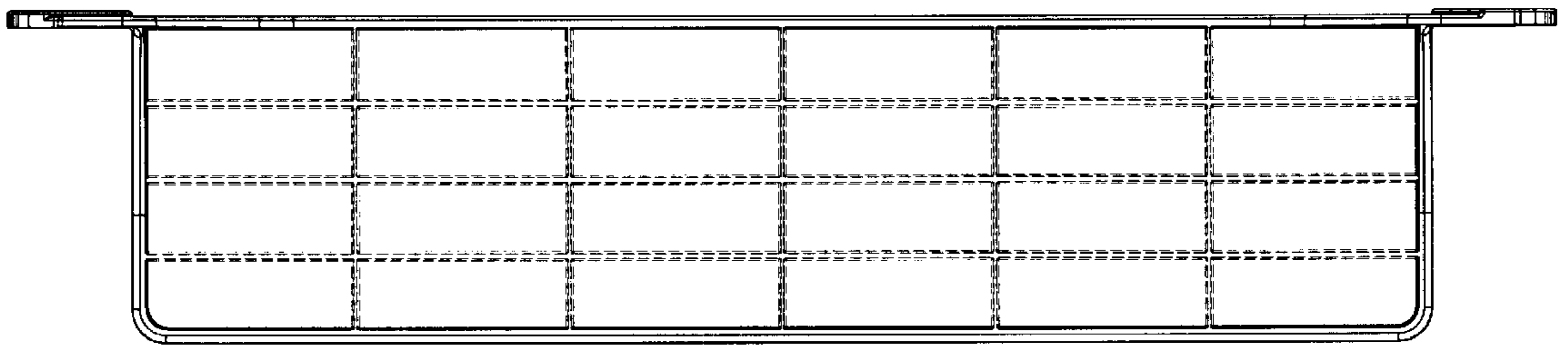


FIG 12

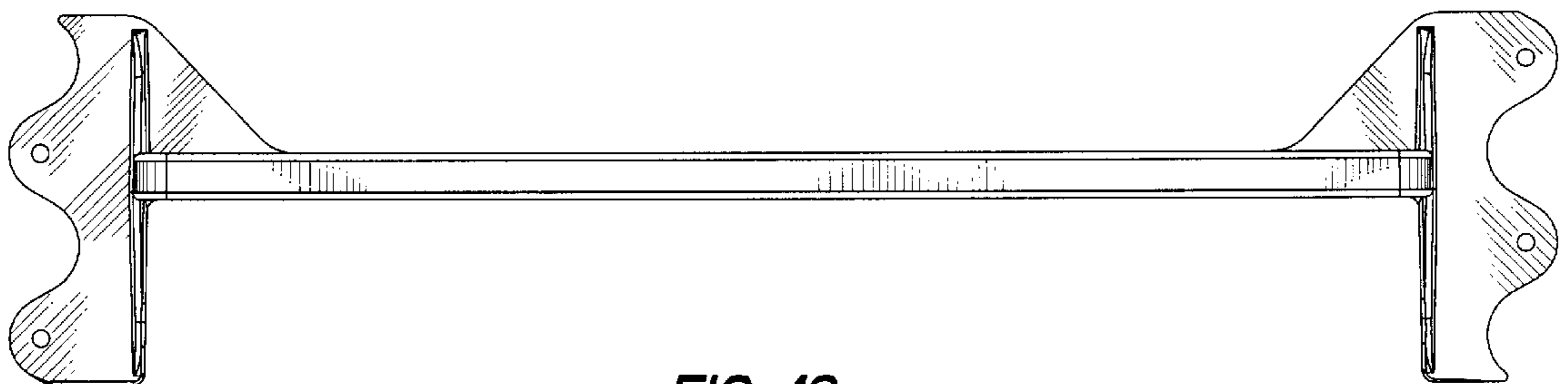


FIG 13

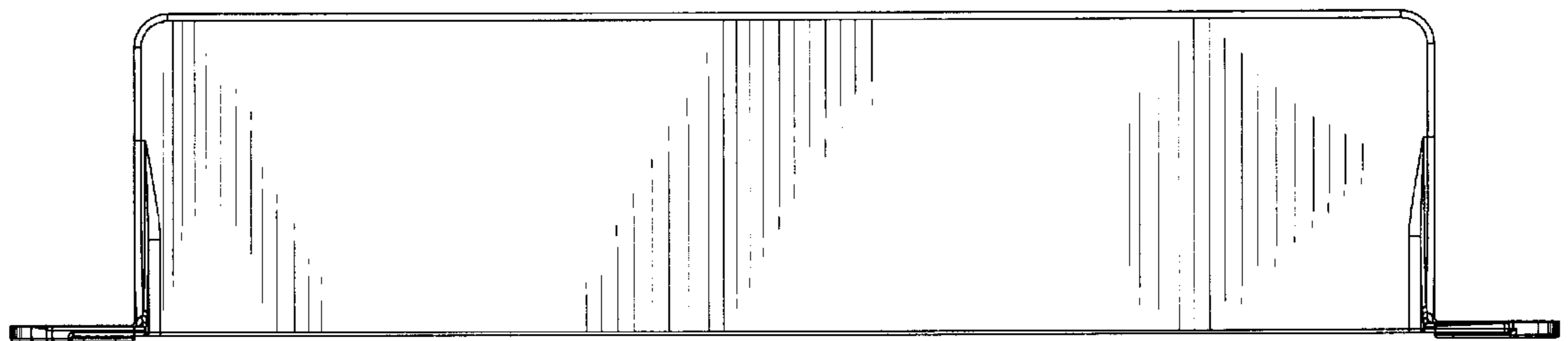


FIG 14

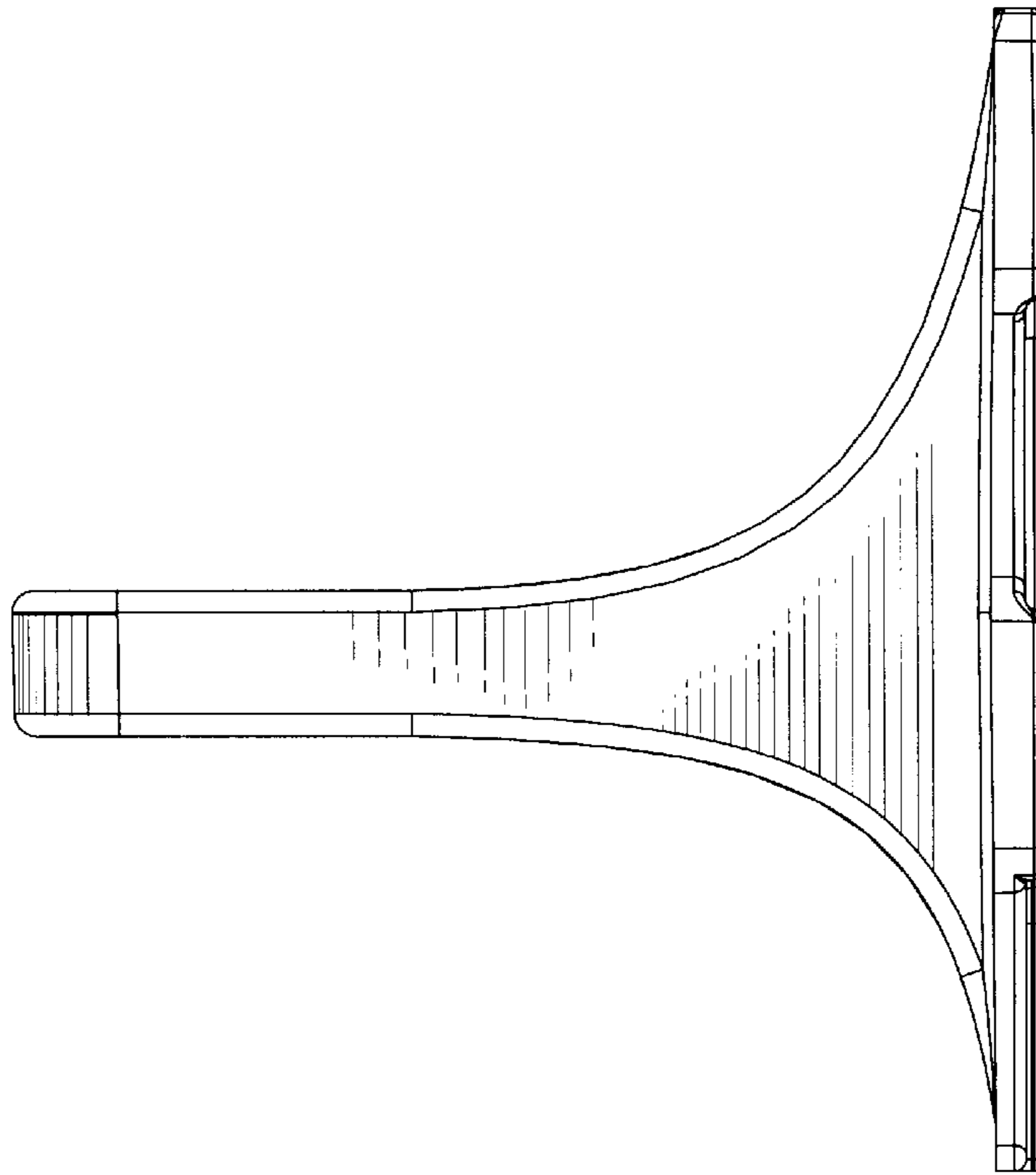


FIG 15

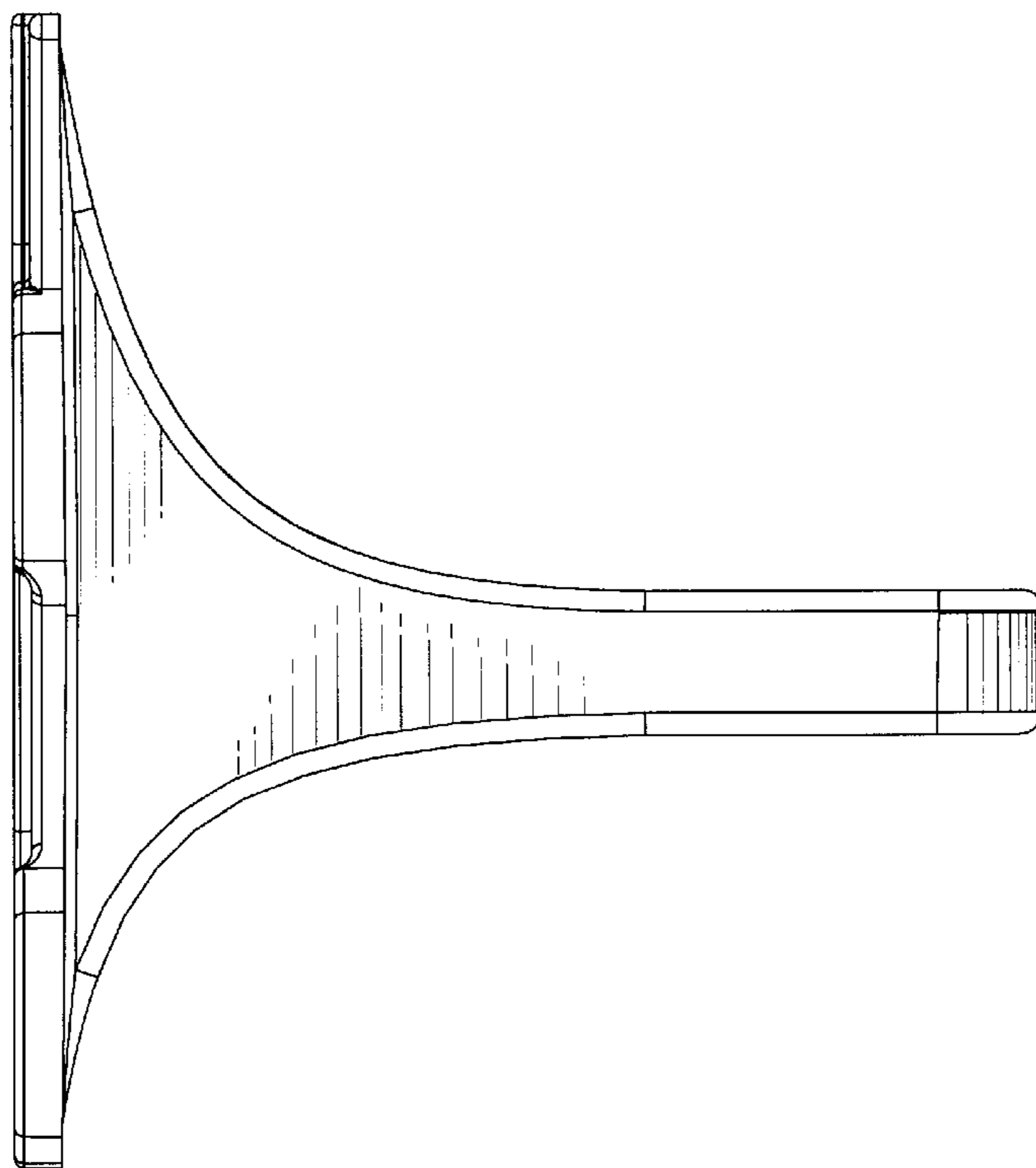


FIG 16