



US00D430763S

United States Patent [19] Scheffer

[11] Patent Number: **Des. 430,763**

[45] Date of Patent: **** Sep. 12, 2000**

[54] **CORNER HUTCH WITH ROTATABLE SUPPORT**

[75] Inventor: **Robert Allen Scheffer**, Lynchburg, Va.

[73] Assignee: **Thomasville Furniture Industries, Inc.**, Thomasville, N.C.

[**] Term: **14 Years**

[21] Appl. No.: **29/112,350**

[22] Filed: **Oct. 14, 1999**

[51] **LOC (7) Cl.** **06-06**

[52] **U.S. Cl.** **D6/509; D6/428; D6/482**

[58] **Field of Search** D6/480-489, 422, D6/426, 428, 430, 397, 495, 421, 509, 438; 108/50.11, 50.01, 153.1, 155-157, 161; 312/194-197, 208.1, 204, 59, 305; 248/188, 188.1

[56] **References Cited**

U.S. PATENT DOCUMENTS

D. 142,470	10/1945	Cornish	D6/428
D. 273,449	4/1984	Wieczorek	D6/426
D. 296,172	6/1988	Worrell et al.	D6/509
D. 330,124	10/1992	Short	D6/422
D. 353,959	1/1995	Kovacevic	D6/482
D. 381,222	7/1997	O'Sullivan et al.	D6/426
D. 386,015	11/1997	O'Sullivan et al.	D6/426
D. 389,335	1/1998	Tilley	D6/422
4,431,238	2/1984	Evans	312/184
4,555,150	11/1985	Turnbull	312/250

5,169,220	12/1992	Herr et al.	312/305
5,277,488	1/1994	Cleary et al.	312/408
5,487,599	1/1996	Weisburn et al.	312/9.46
5,547,273	8/1996	Hudnall	312/305
5,651,595	7/1997	Willis	312/249.2
5,662,317	9/1997	Beakes et al.	269/58
5,676,360	10/1997	Boucher et al.	269/74

OTHER PUBLICATIONS

Sketched drawing of a desk hutch, observed at Trade Show.

Primary Examiner—Janice E. Seeger
Attorney, Agent, or Firm—Rhodes & Mason, P.L.L.C.

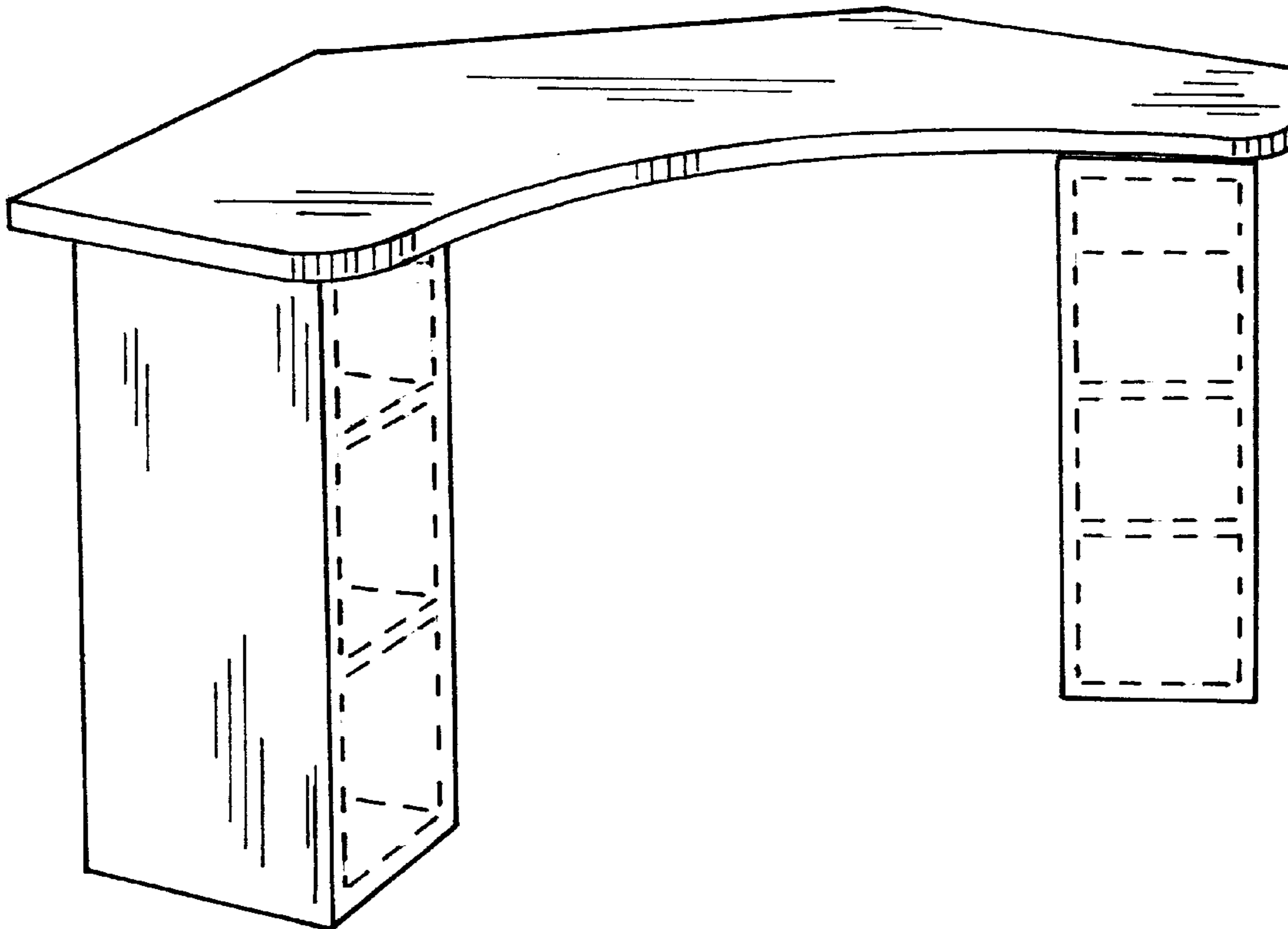
[57] **CLAIM**

The ornamental design for a corner hutch with rotatable support, as shown and described.

DESCRIPTION

FIG. 1 is a left front perspective view of a corner hutch with rotatable support showing my new design; FIG. 2 is a partial left side view thereof; FIG. 3 is a partial left side view thereof, with the left support shown in a rotated position; and FIG. 4 is a front elevational view of the design shown in FIGS. 1 and 2; and, FIG. 5 is a top view thereof. The bottom and rear elevational views of the design are not shown and form no part of the claimed design. The dashed lines appearing within the supports represent environmental elements only and form no part of the claimed design.

1 Claim, 2 Drawing Sheets



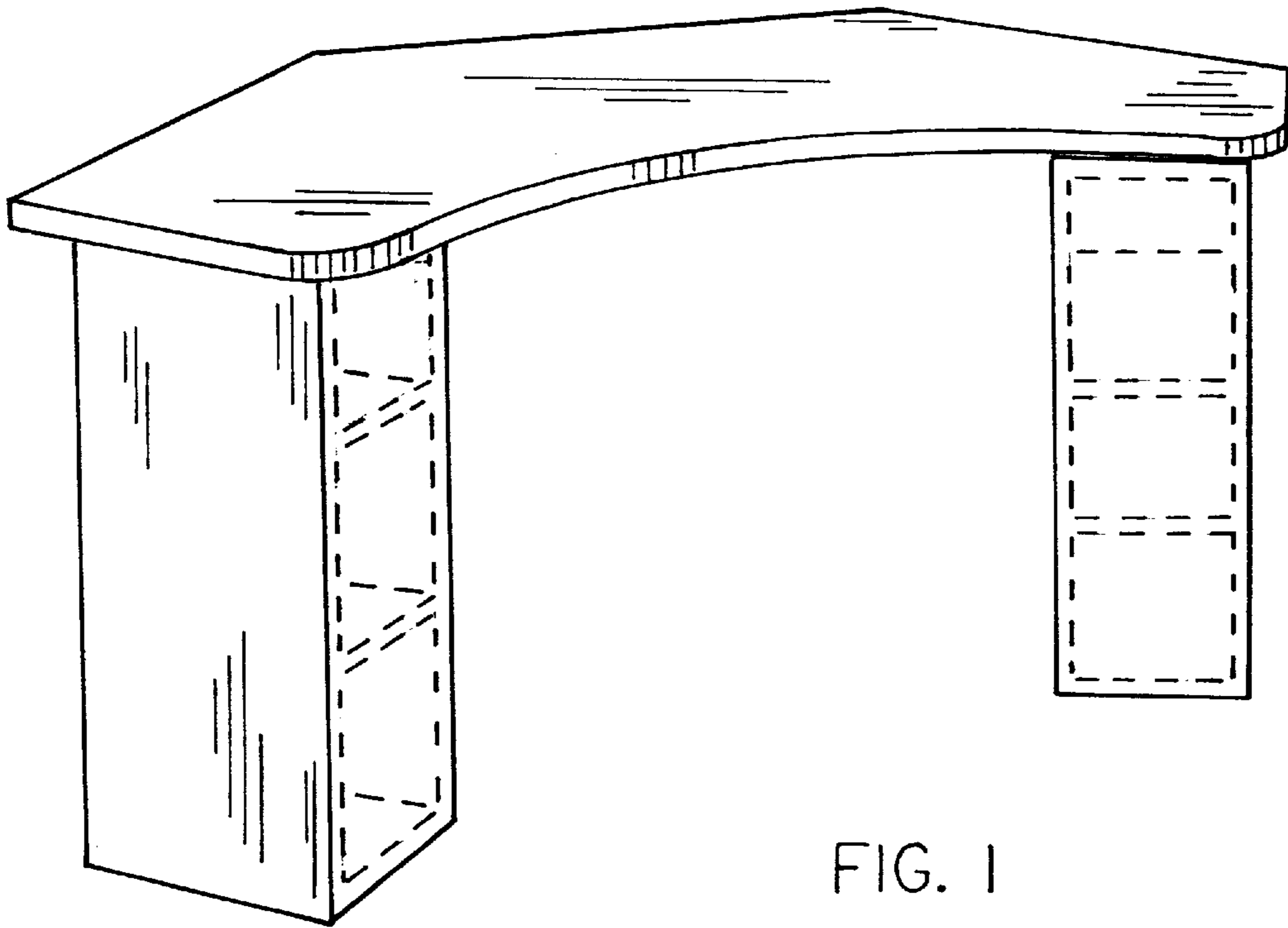


FIG. 1

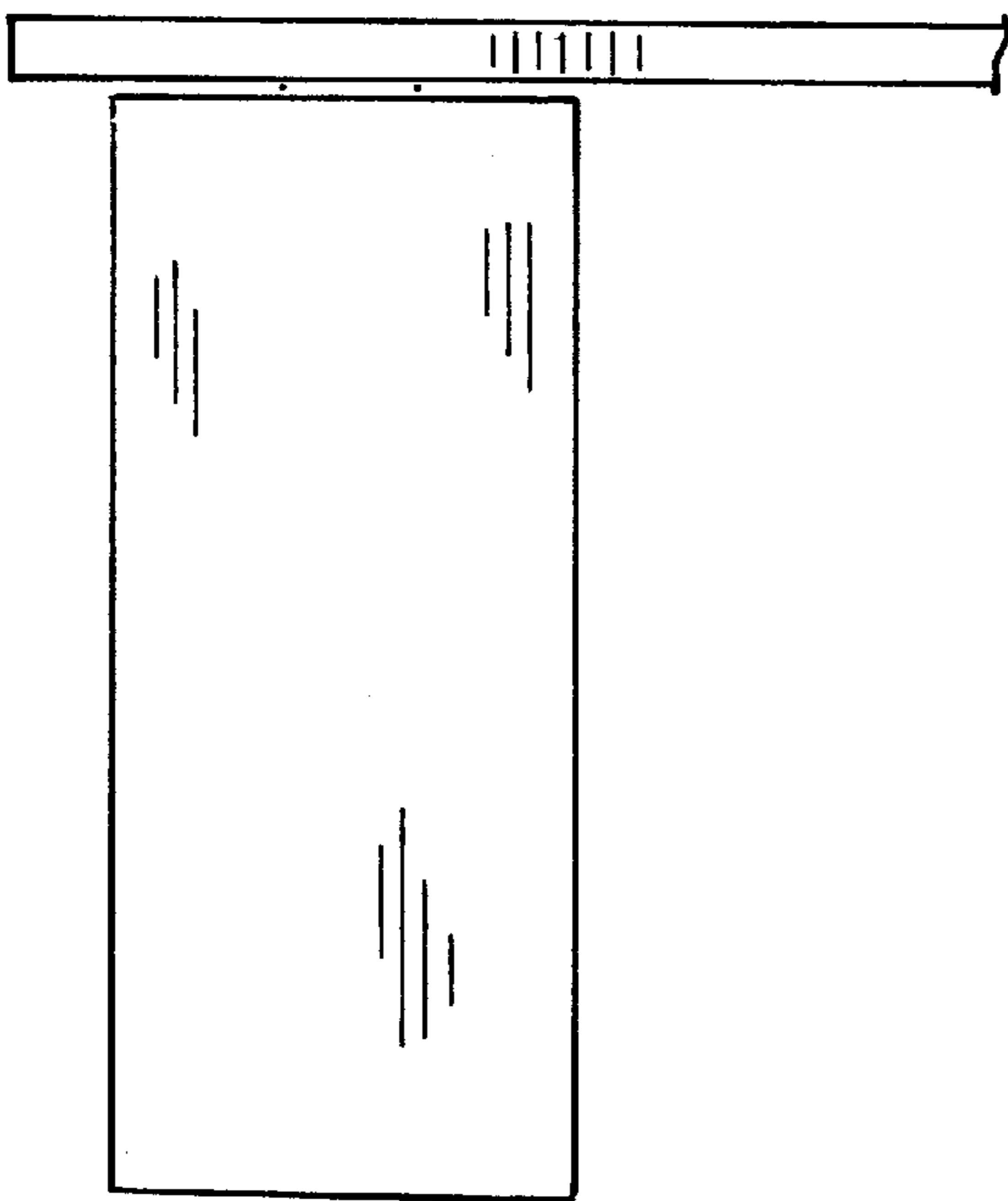


FIG. 2

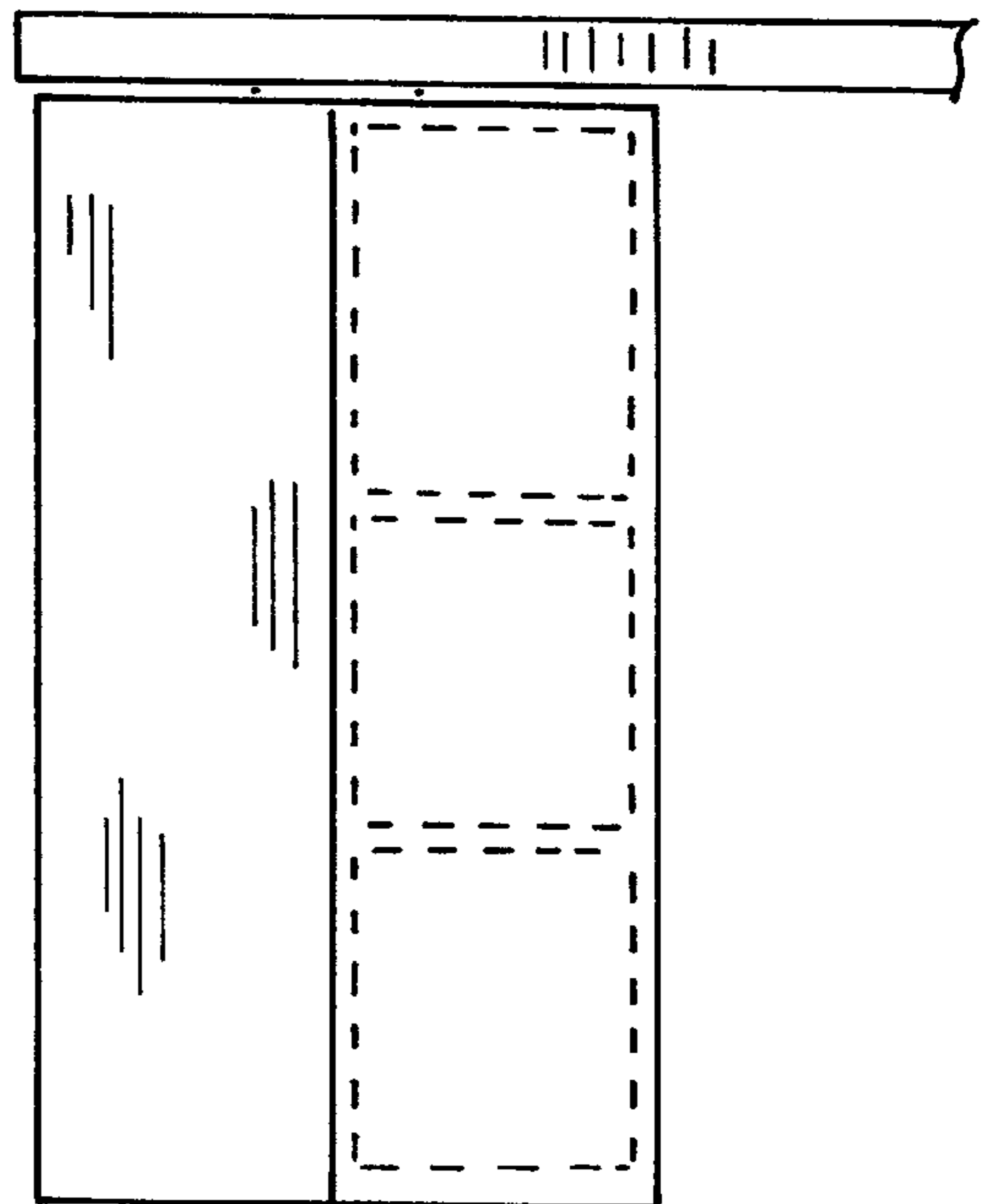


FIG. 3

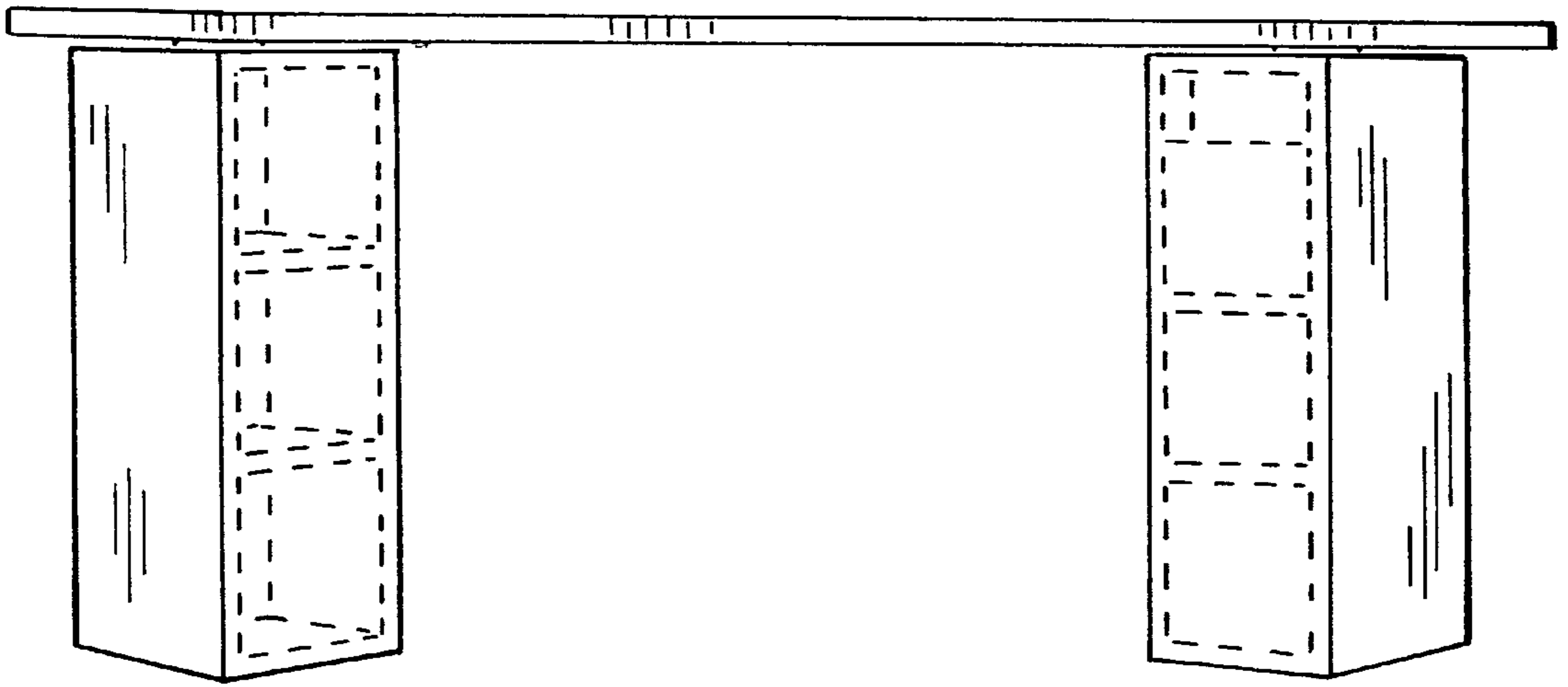


FIG. 4

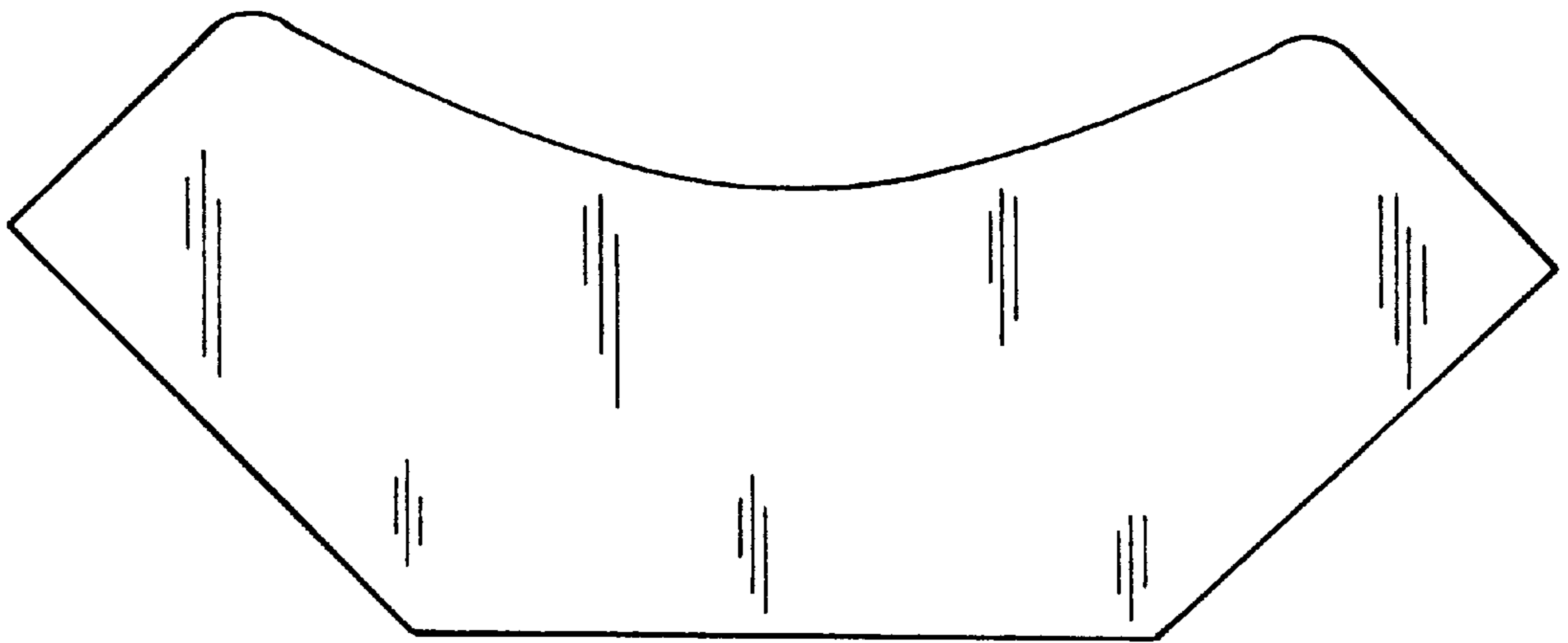


FIG. 5