



US00D430762S

United States Patent [19]

Laufer et al.

[11] Patent Number: Des. 430,762

[45] Date of Patent: ** Sep. 12, 2000

[54] CHAIR BACK

[75] Inventors: Steve A. Laufer; John D. Berggren, both of Miami, Fla.

[73] Assignee: Pinnacle Furnishings, Inc., Miami, Fla.

[**] Term: 14 Years

[21] Appl. No.: 29/108,763

[22] Filed: Aug. 4, 1999

[51] LOC (7) Cl. 06-06

[52] U.S. Cl. D6/502

[58] Field of Search D6/334, 360, 374, D6/379, 380, 500, 501, 502; 297/452.36, DIG. 2

[56] References Cited

U.S. PATENT DOCUMENTS

D. 281,210	11/1985	Roberts	D6/502
D. 341,045	11/1993	Barile	D6/502
D. 345,477	3/1994	Infanti	D6/502
D. 383,628	9/1997	Shamir	D6/502
3,001,824	9/1961	Wiener	D6/380
3,197,255	7/1965	Caudill	297/452.36

Primary Examiner—Doris V. Coles

Assistant Examiner—Mimosa De

[57] CLAIM

The ornamental design for a chair back, as shown and described.

DESCRIPTION

FIG. 1 is a perspective view of a chair back showing my new design, it being understood that the broken lines are for illustrative purposes only and form no part of the claimed design;

FIG. 2 is an enlarged front elevational view thereof;

FIG. 3 is a side elevational view of FIG. 2, it being understood that the opposite side is a mirror image thereof;

FIG. 4 is top plan view of FIG. 2;

FIG. 5 is a bottom plan view of FIG. 2;

FIG. 6 is a rear elevational view of FIG. 2;

FIG. 7 is a perspective view of a chair back showing a second embodiment of my new design, it being understood that the broken lines are for illustrative purposes only and form no part of the claimed design;

FIG. 8 is an enlarged front elevational view thereof;

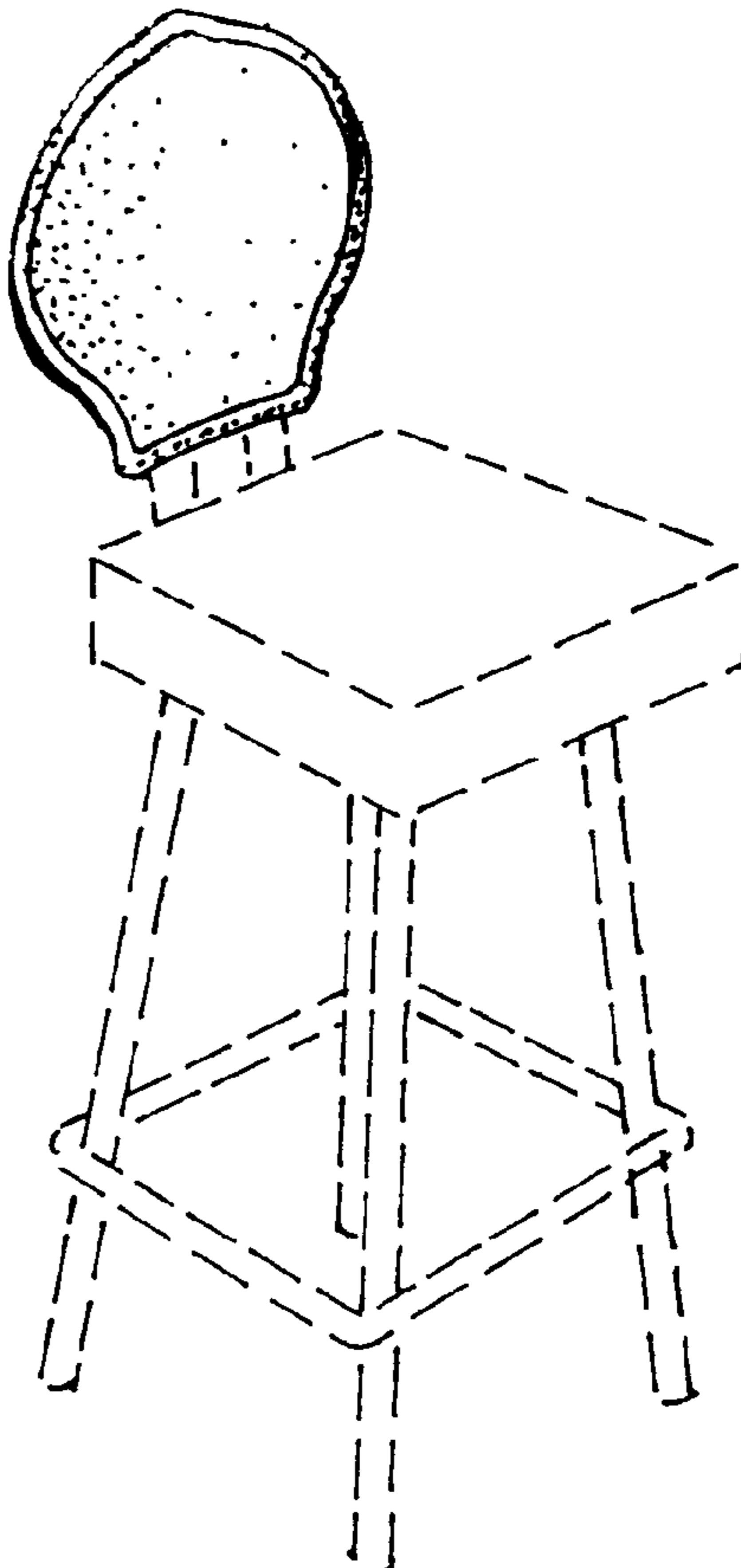
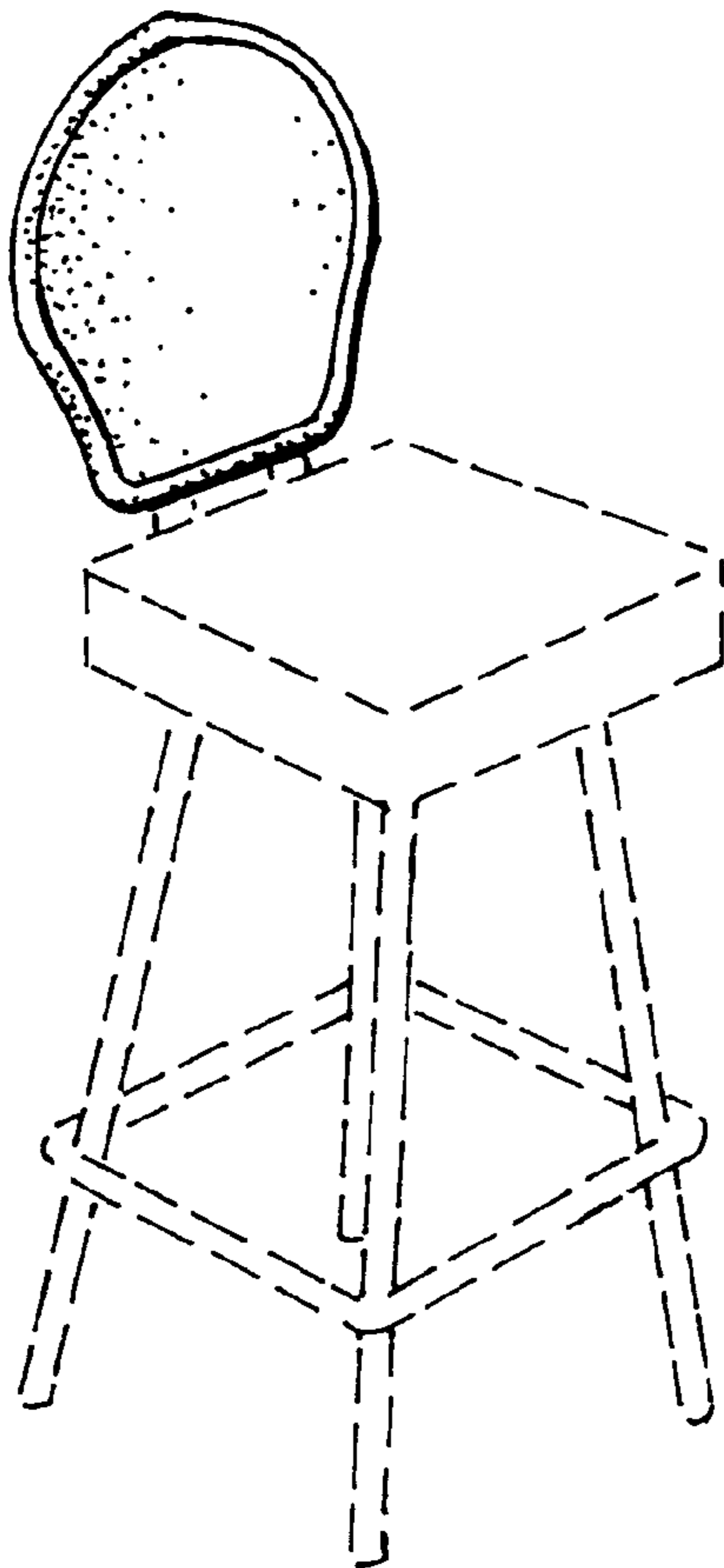
FIG. 9 is a side elevational view of FIG. 8, it being understood that the opposite side is a mirror image thereof;

FIG. 10 is a top plan view of FIG. 8;

FIG. 11 is a bottom plan view of FIG. 8; and,

FIG. 12 is a rear elevational view of FIG. 8.

1 Claim, 2 Drawing Sheets



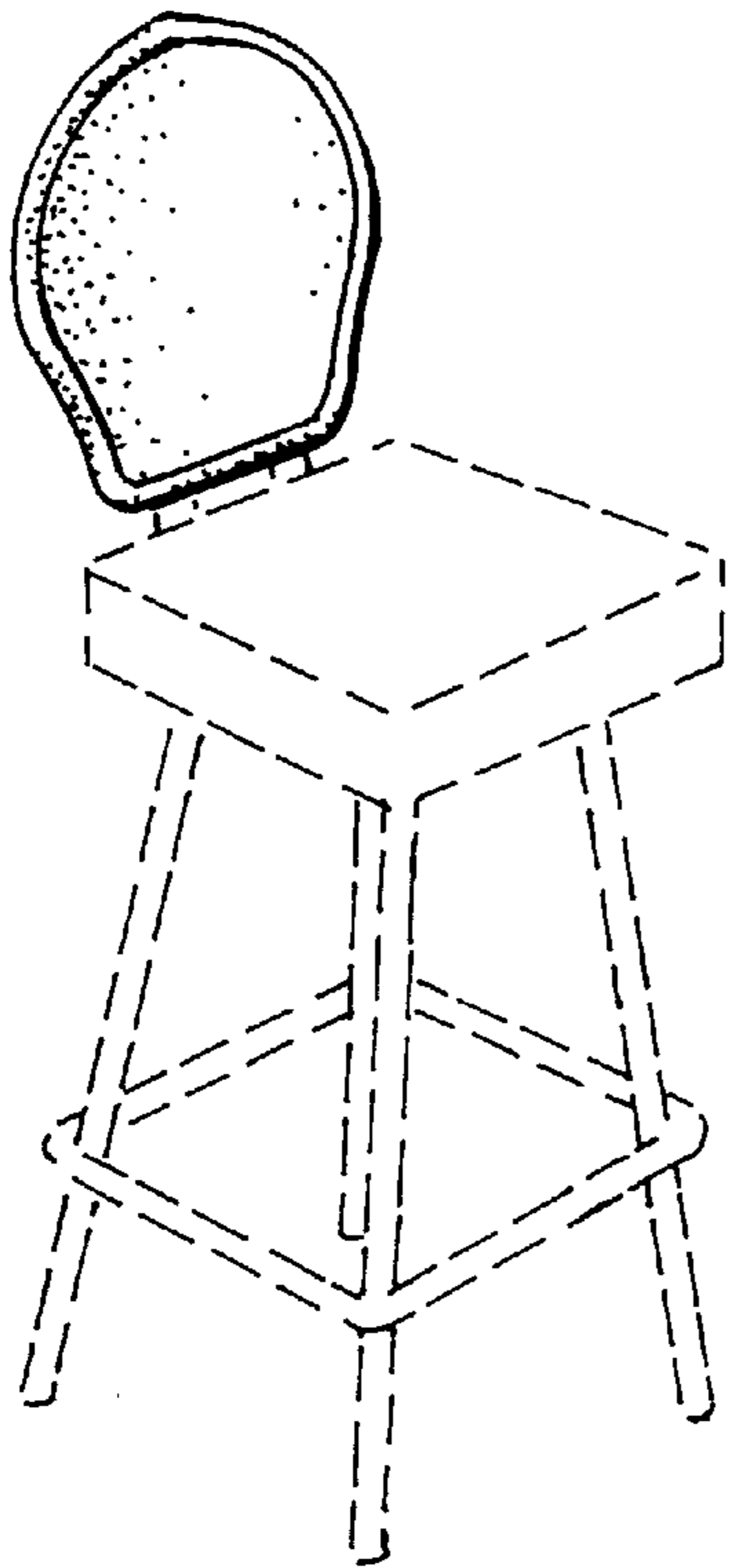


FIG.1

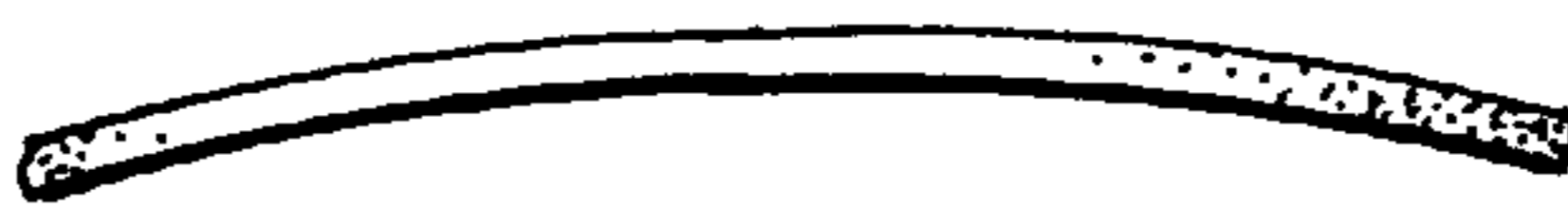


FIG. 4

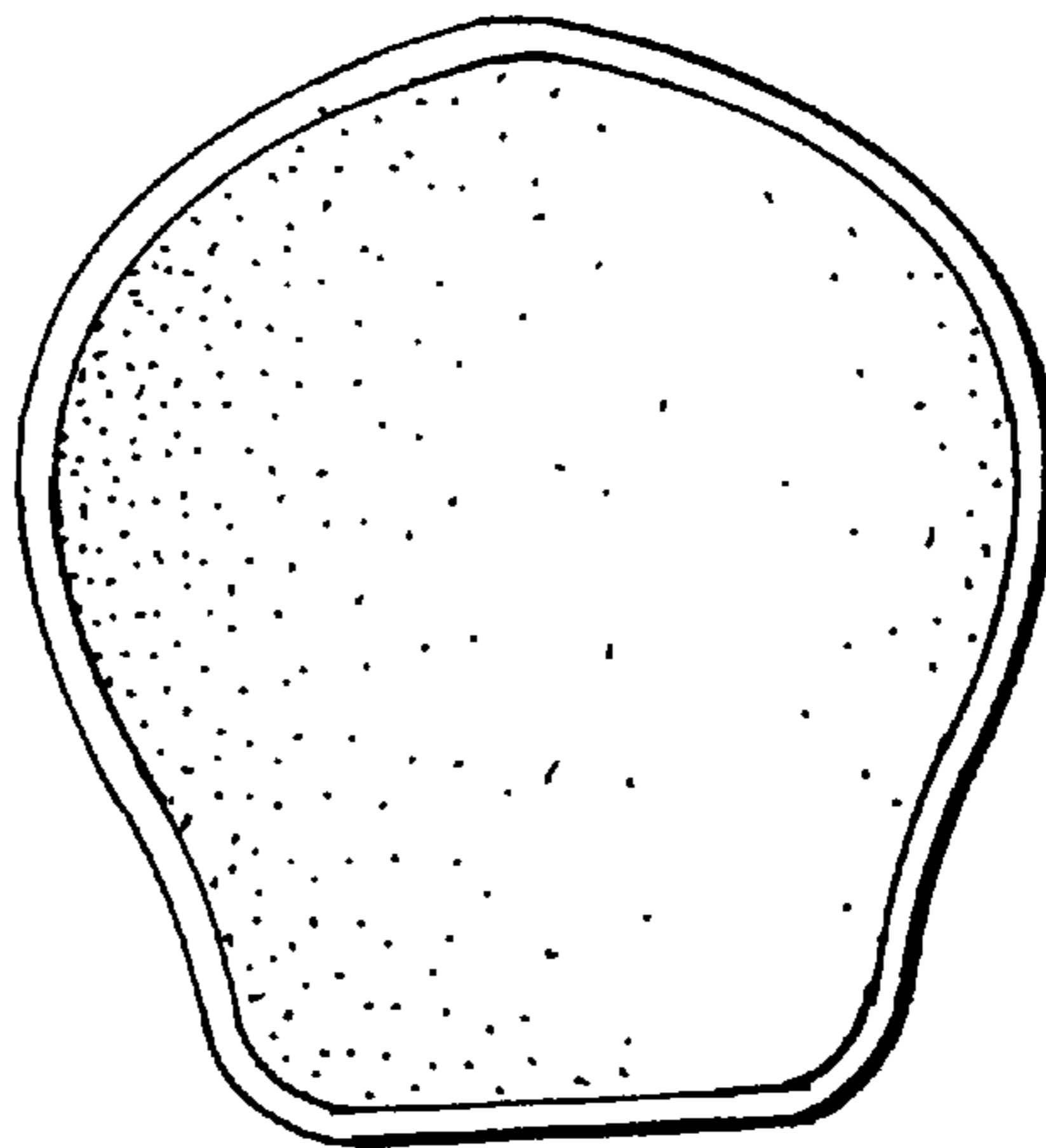


FIG.2

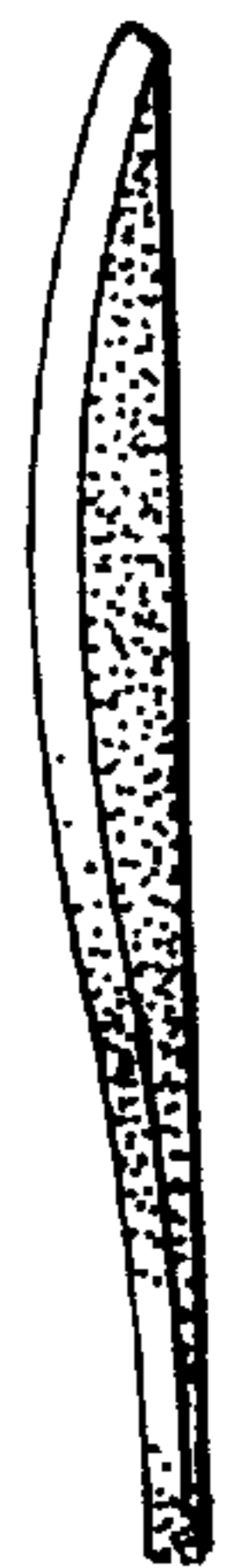


FIG. 3

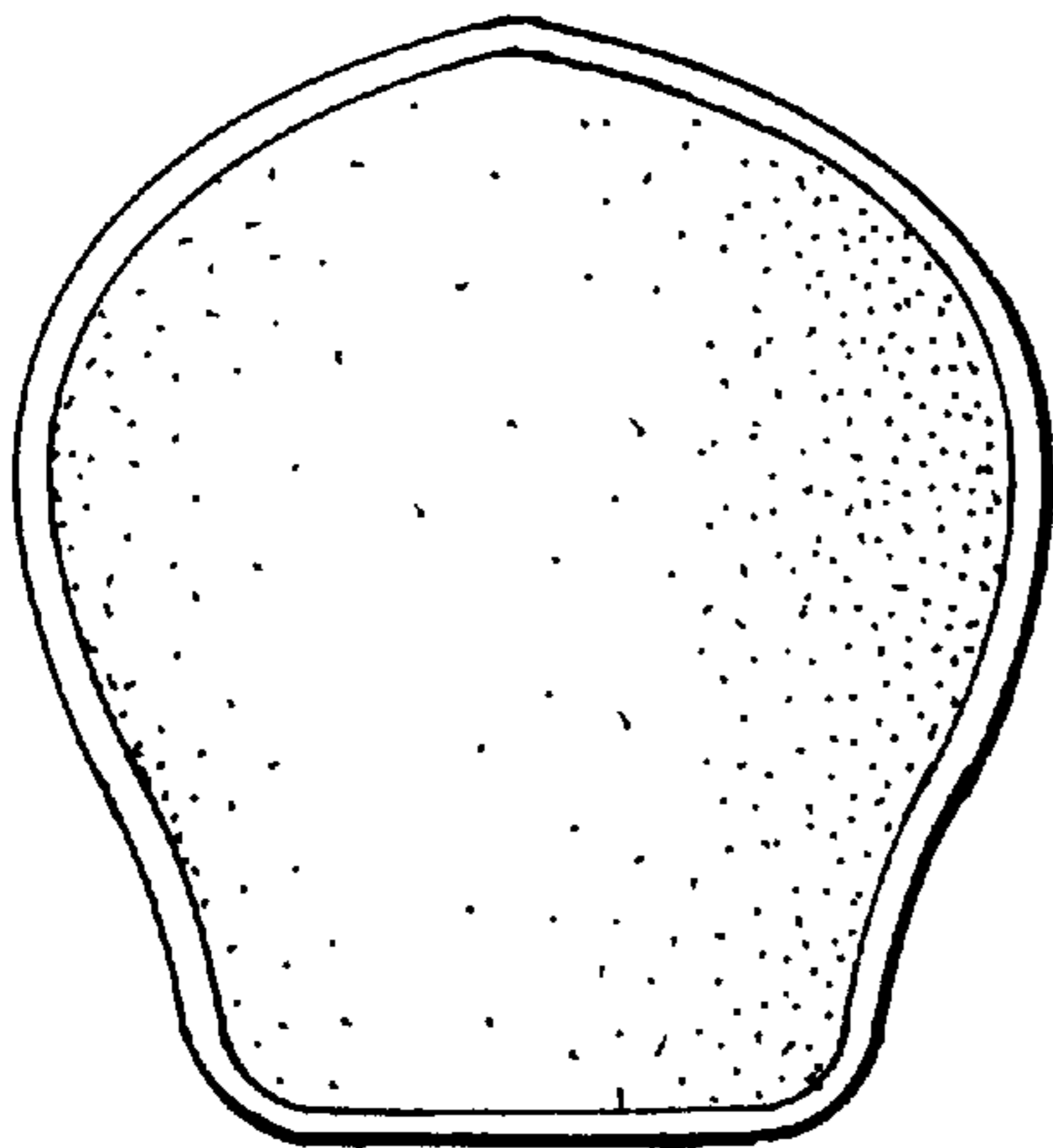


FIG.6



FIG. 5

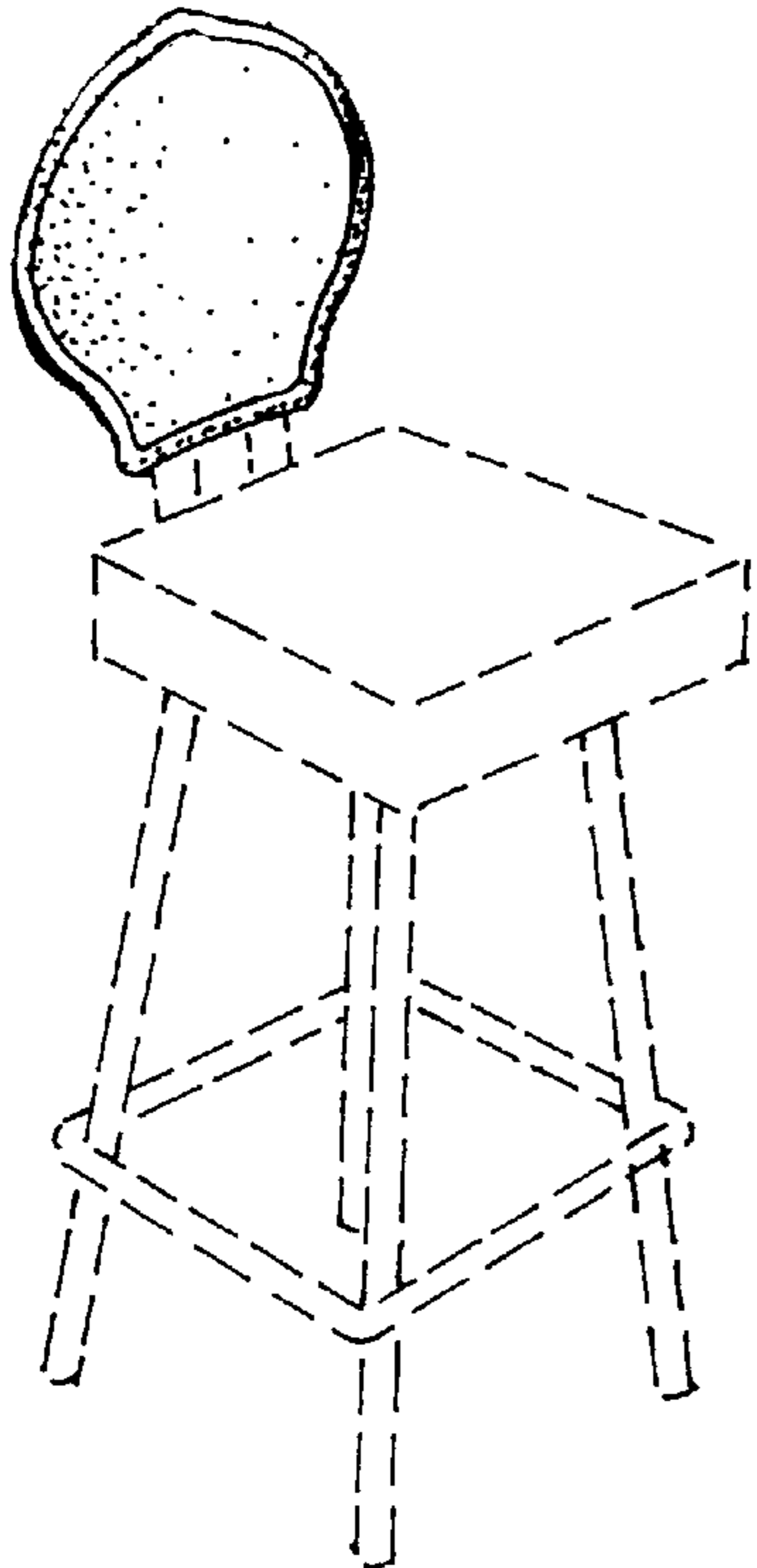


FIG. 7



FIG. 10

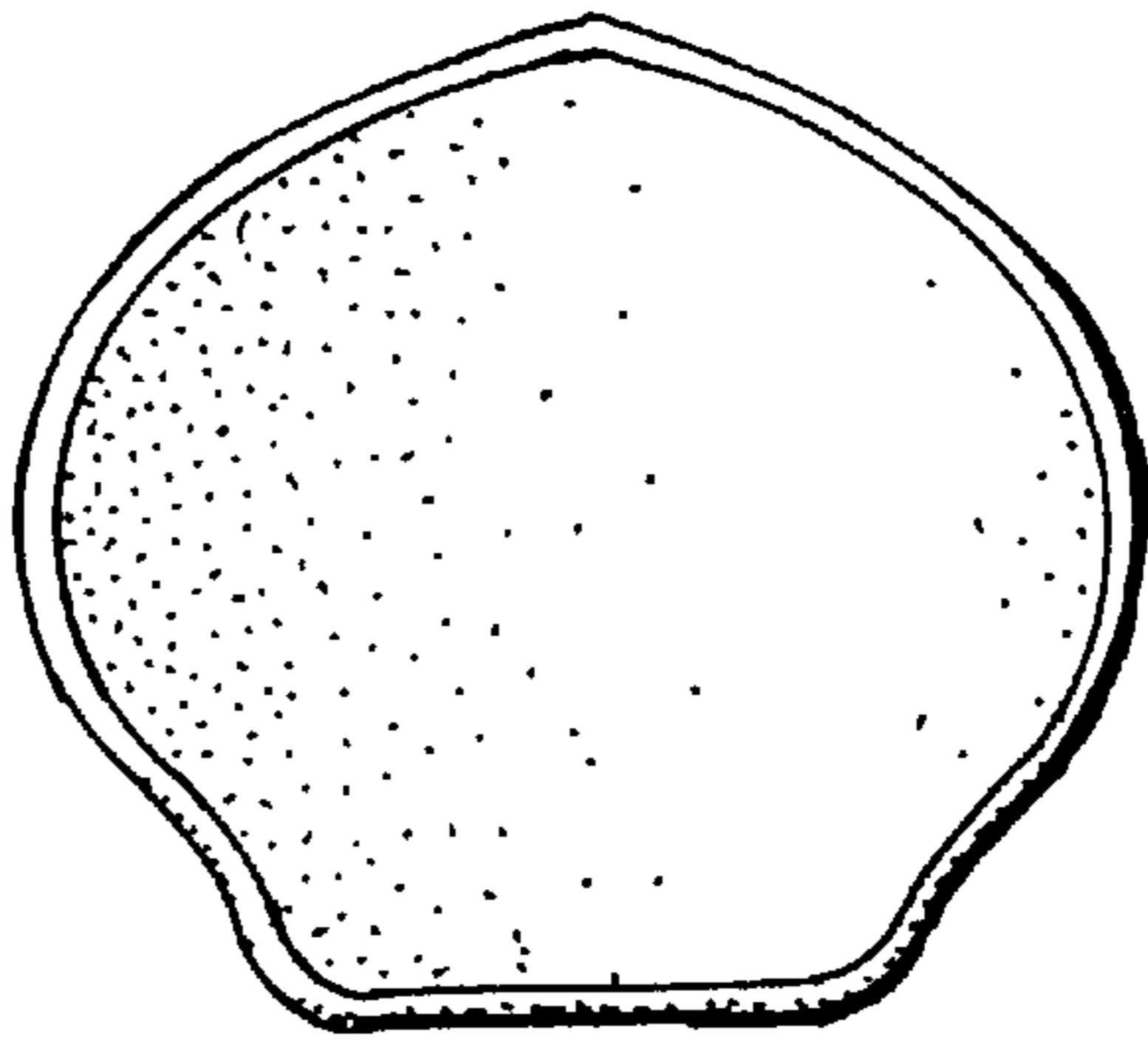


FIG. 8



FIG. 9

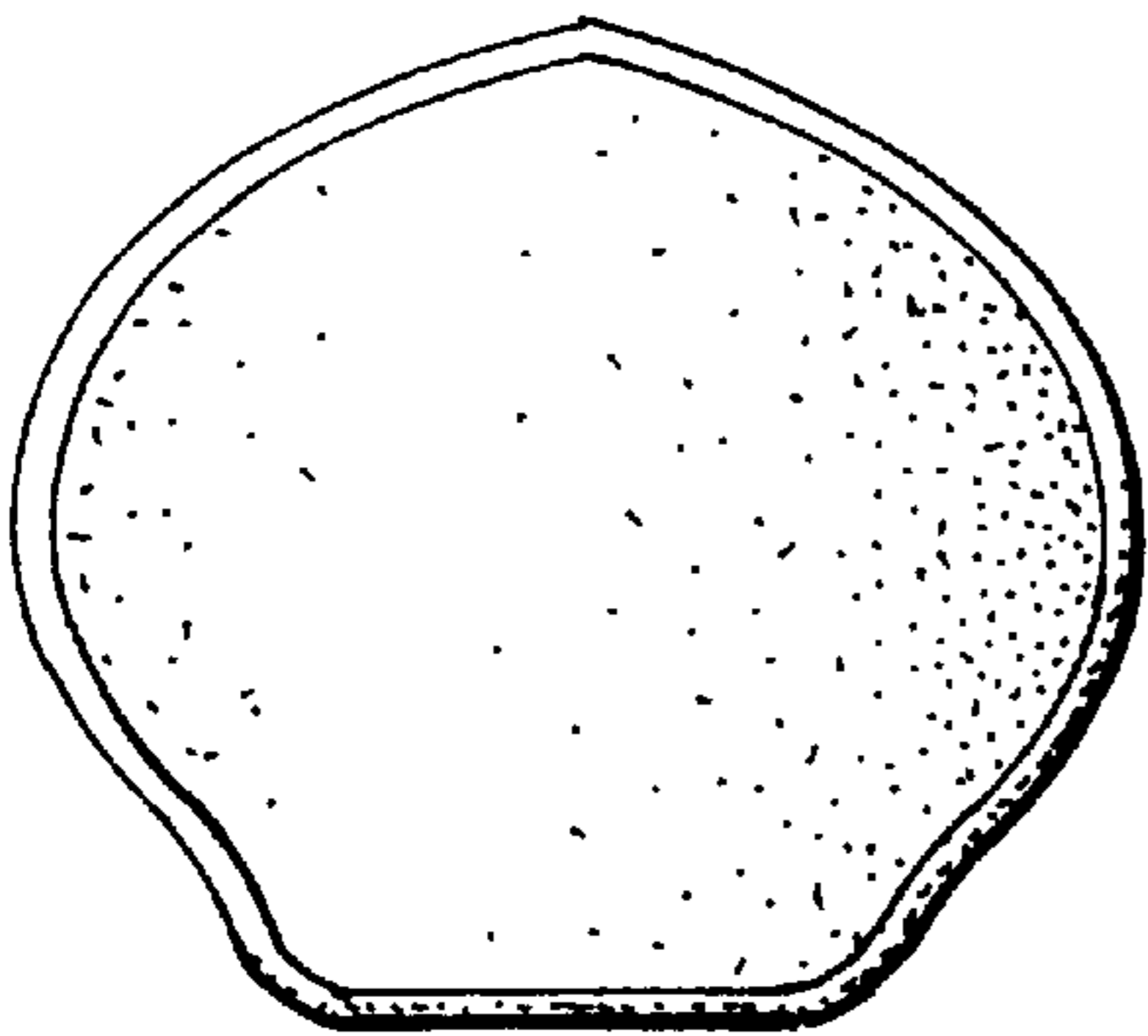


FIG. 12



FIG. 11