



US00D430754S

United States Patent [19]
Wistehuff, Sr.

[11] **Patent Number: Des. 430,754**

[45] **Date of Patent: ** Sep. 12, 2000**

[54] **BUFFET**

[75] Inventor: **Daniel David Wistehuff, Sr.,**
Greensboro, N.C.

[73] Assignee: **Thomasville Furniture Industries,**
Inc., Thomasville, N.C.

[**] Term: **14 Years**

[21] Appl. No.: **29/112,319**

[22] Filed: **Oct. 14, 1999**

[51] **LOC (7) Cl. 06-04**

[52] **U.S. Cl. D6/441**

[58] **Field of Search** D6/432, 434, 436-448;
312/114, 204, 224, 278, 279

[56] **References Cited**

U.S. PATENT DOCUMENTS

D. 418,328 1/2000 O'Hare D6/441
D. 422,807 1/2000 Tisbo et al. D6/440

OTHER PUBLICATIONS

Bloomington Catalog, Chest, Mar. 1994.
Furniture Today, Bassett Advertisement, Chest, p. 218, Mar.
1994.

Credenza, Britain/Side Cabinets, believed to be prior art.
Dresser, unknown source, believed to be prior art.

Primary Examiner—Cathron B. Matta
Attorney, Agent, or Firm—Rhodes & Mason, P.L.L.C.

[57] **CLAIM**

The ornamental design for a buffet, as shown and described.

DESCRIPTION

FIG. 1 is a left front perspective view of a buffet showing my new design;

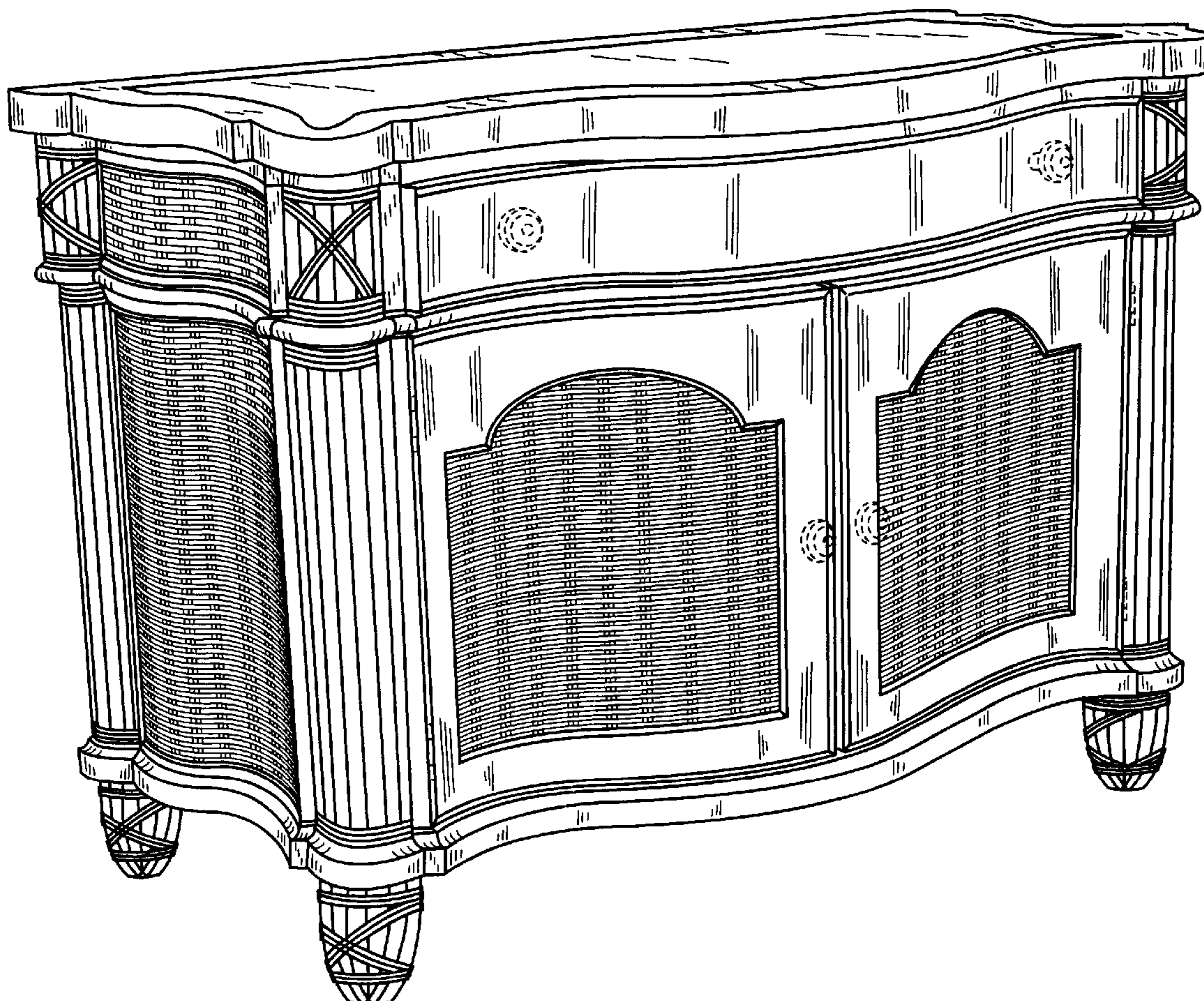
FIG. 2 is a side view, the opposite side being a mirror image thereof;

FIG. 3 is a front elevational view thereof; and,

FIG. 4 is a top view thereof.

The bottom and rear elevational views of the design are not shown and form no part of the claim design. The dashed lines represent environmental elements only and form no part of the claimed design.

1 Claim, 2 Drawing Sheets



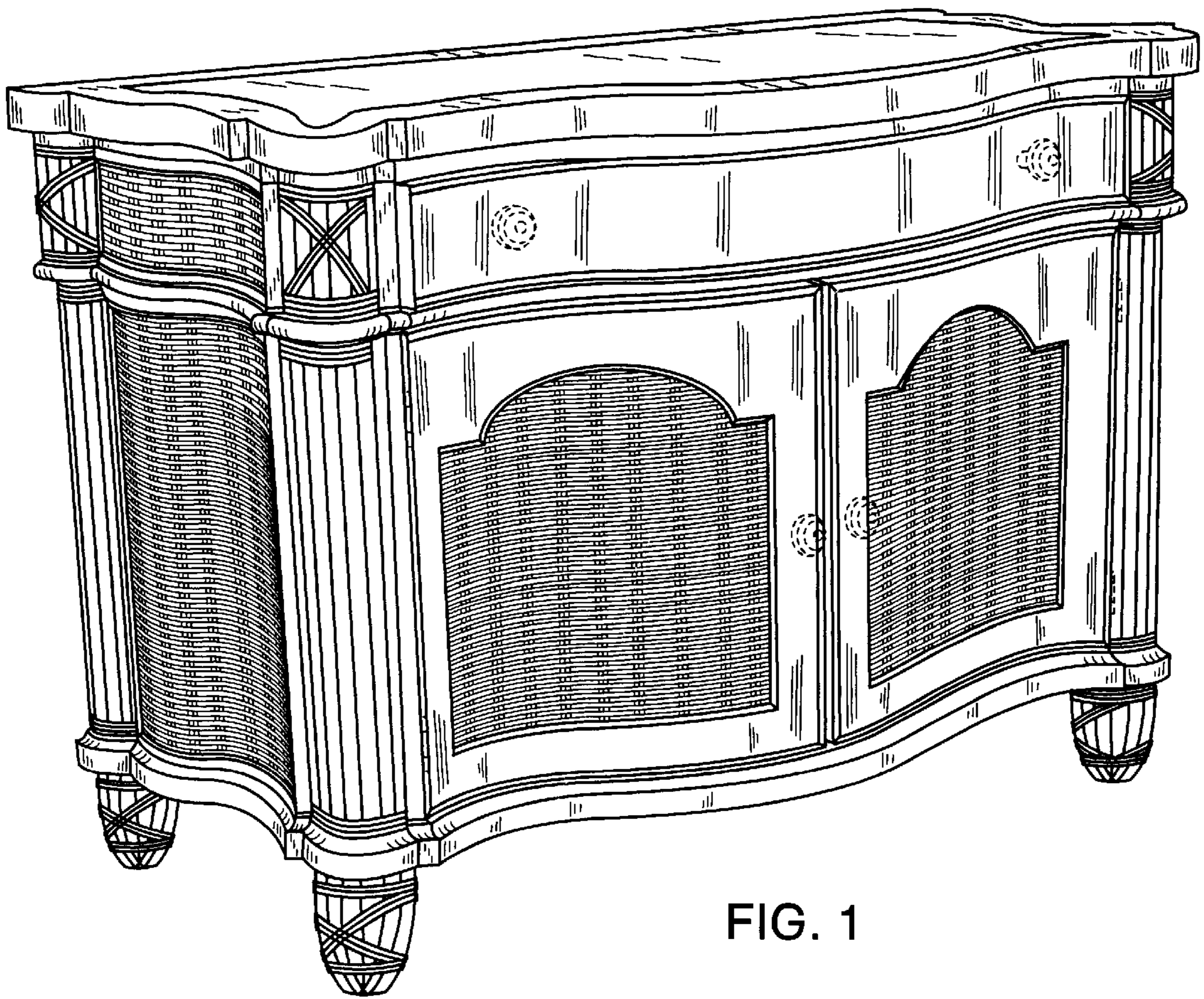


FIG. 1

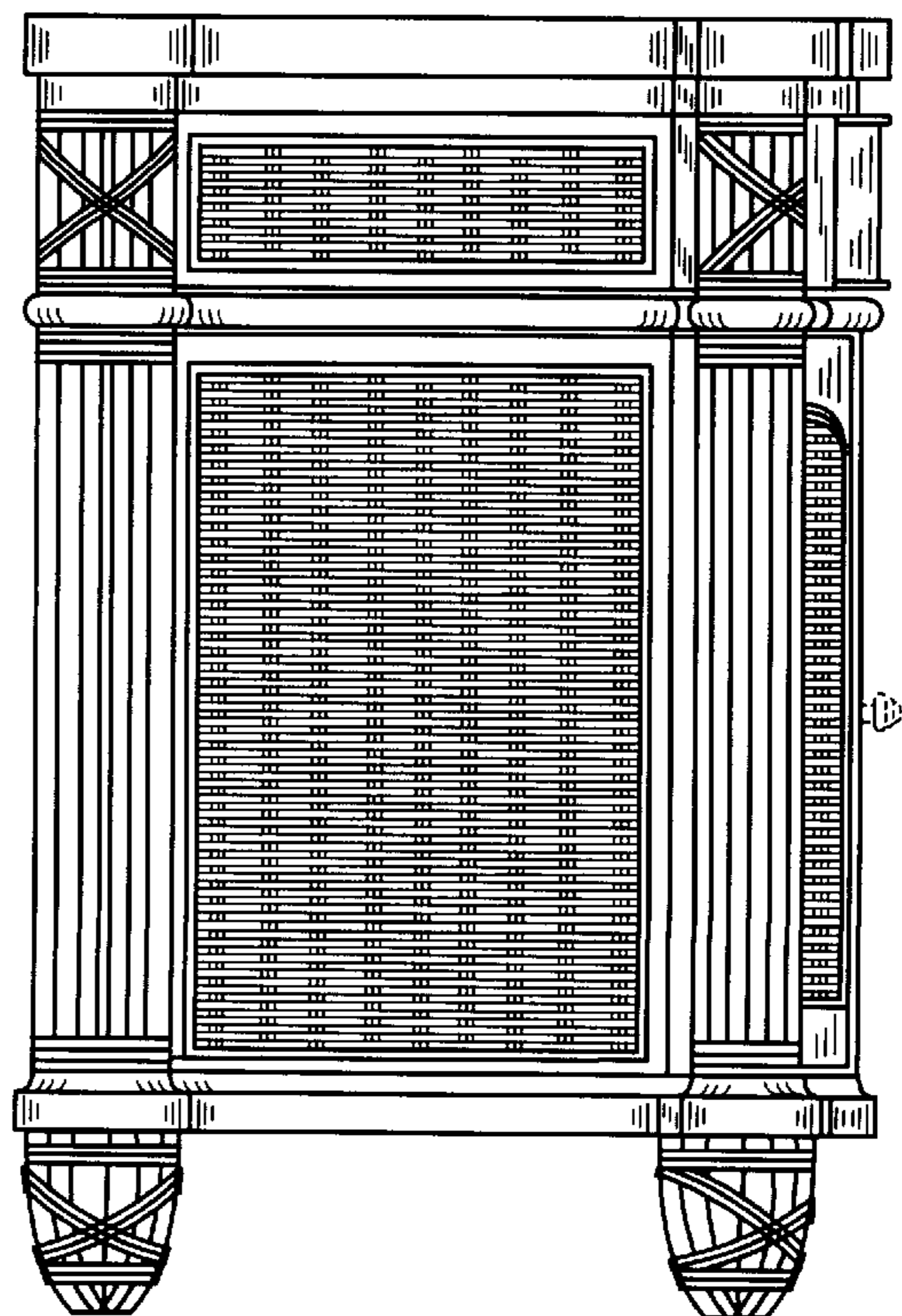


FIG. 2

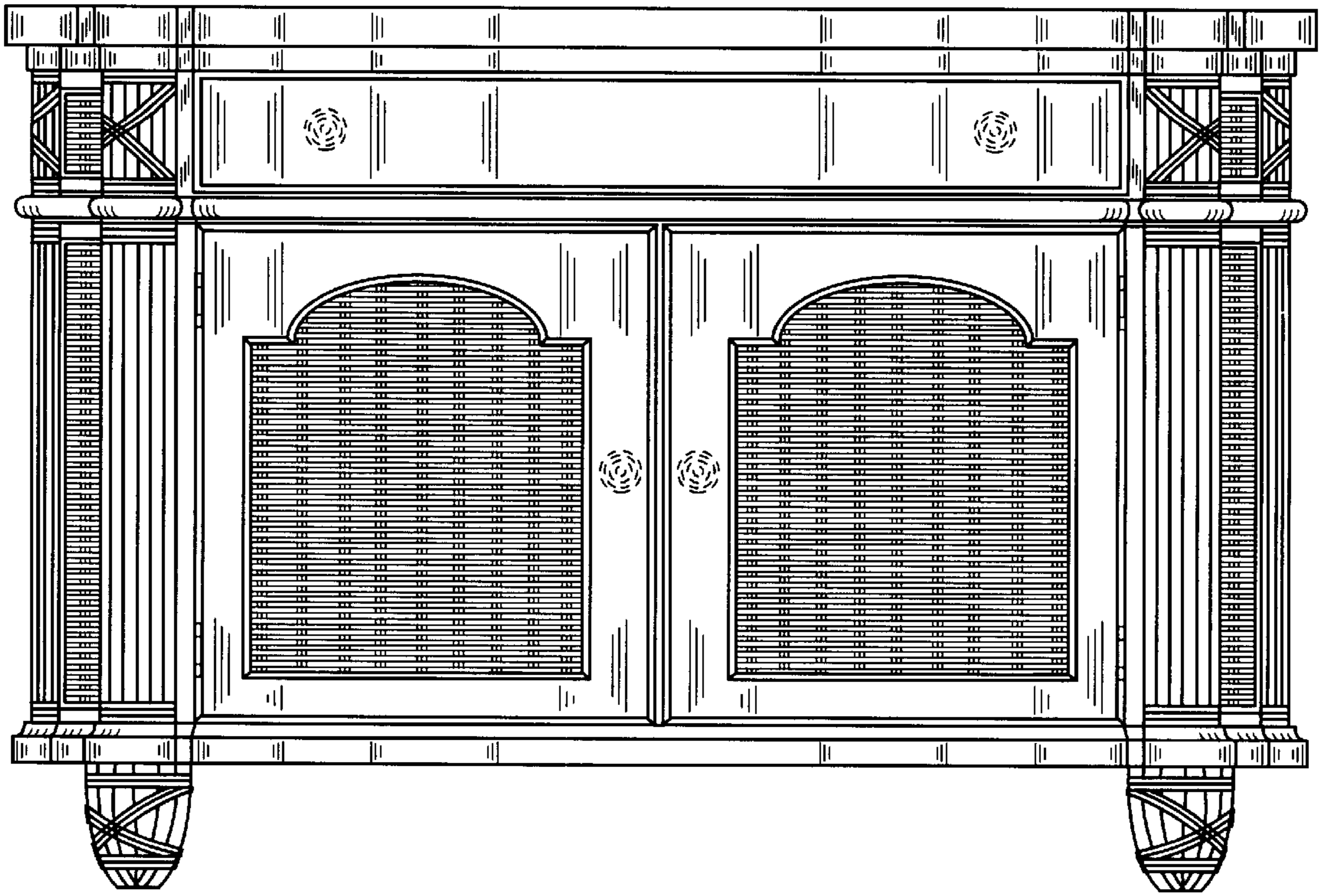


FIG. 3

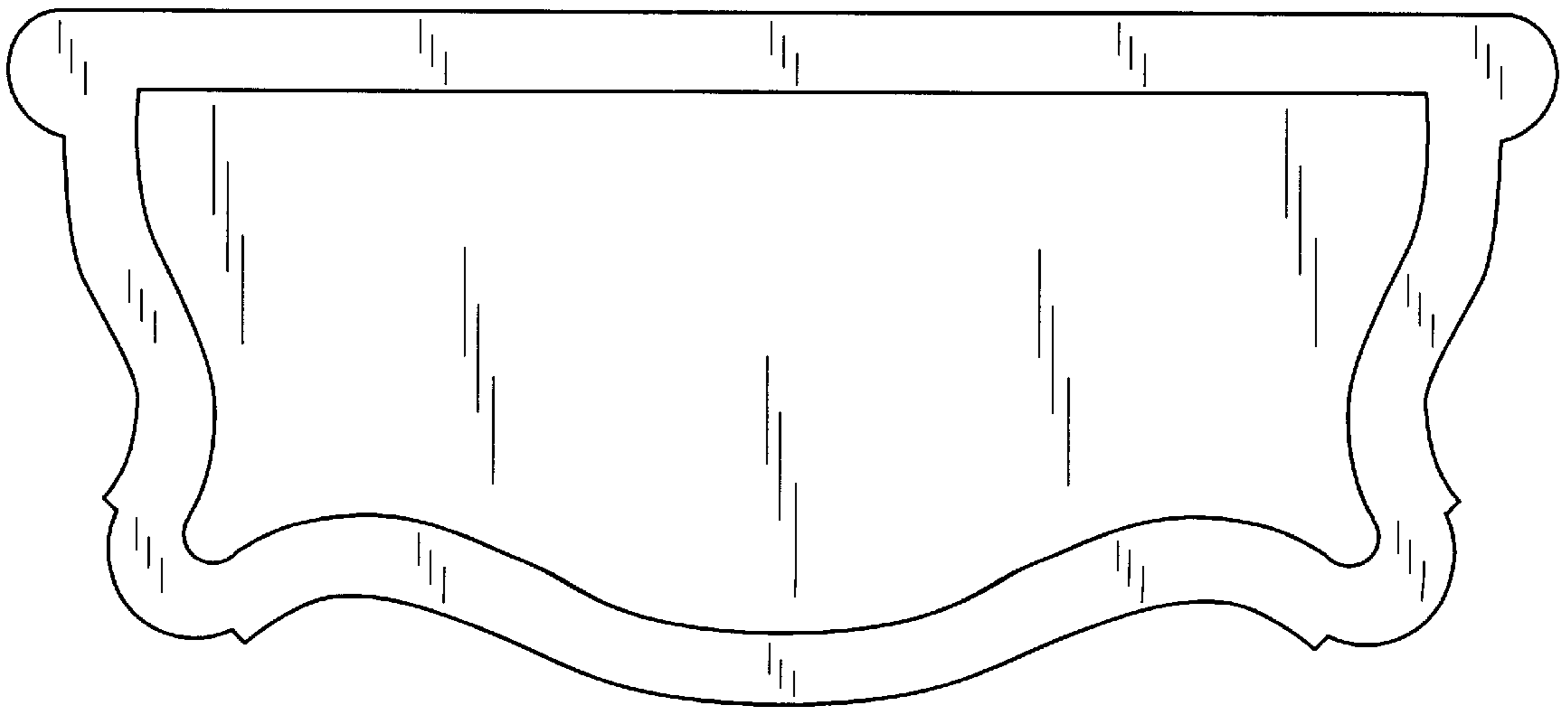


FIG. 4

UNITED STATES PATENT AND TRADEMARK OFFICE
CERTIFICATE OF CORRECTION

PATENT NO : D430,754

DATED : September 12, 2000


INVENTOR(S): Daniel David Wistehuff, Sr.

It is certified that error appears in the above-identified patent and that said Letters Patent are hereby corrected as shown below:

On the Title page, the assignee should be deleted.

Signed and Sealed this

First Day of May, 2001



NICHOLAS P. GODICI

Attest:

Attesting Officer

Acting Director of the United States Patent and Trademark Office