



US00D430750S

# United States Patent [19]

[11] **Patent Number: Des. 430,750**

**Withem**

[45] **Date of Patent: \*\* Sep. 12, 2000**

[54] **NOAH'S ARK TOY CHEST**

D. 230,366 2/1974 Schmidt ..... D21/542  
D. 411,348 1/1945 Schroeder ..... D21/542 X

[76] Inventor: **John E. Withem**, 424 N. 12<sup>th</sup> Ave.,  
Beech Grove, Ind. 46107

*Primary Examiner*—Cathron B. Matta  
*Attorney, Agent, or Firm*—Woodard, Emhardt, Naughton  
Moriarty & McNett

[\*\*] Term: **14 Years**

[21] Appl. No.: **29/113,380**

### [57] CLAIM

[22] Filed: **Nov. 3, 1999**

The ornamental design for a Noah's ark toy chest, as shown and described.

[51] **LOC (7) Cl. .... 06-04**

### DESCRIPTION

[52] **U.S. Cl. .... D6/434; D21/542**

[58] **Field of Search .... D6/434; D3/270,  
D3/271; D21/506, 507, 542, 833; 312/204**

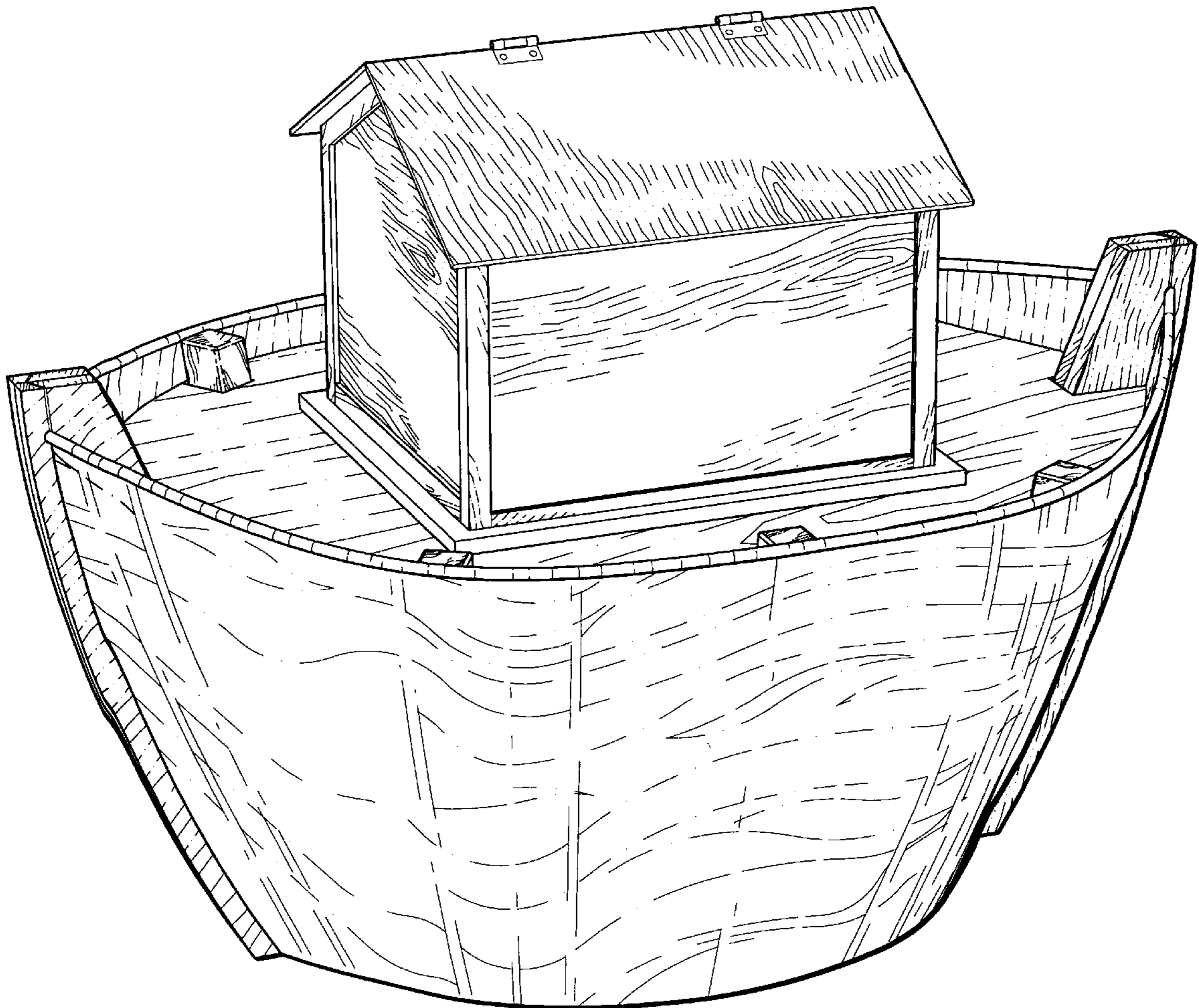
FIG. 1 is a perspective view of the Noah's ark toy chest showing my new design;  
FIG. 2 is a side view thereof;  
FIG. 3 is a top plan view thereof;  
FIG. 4 is an end view thereof; and,  
FIG. 5 is a bottom view thereof.

### [56] References Cited

#### U.S. PATENT DOCUMENTS

D. 140,088 1/1945 Russell ..... D21/542  
D. 229,846 1/1974 Ray et al. .... D21/542

**1 Claim, 5 Drawing Sheets**



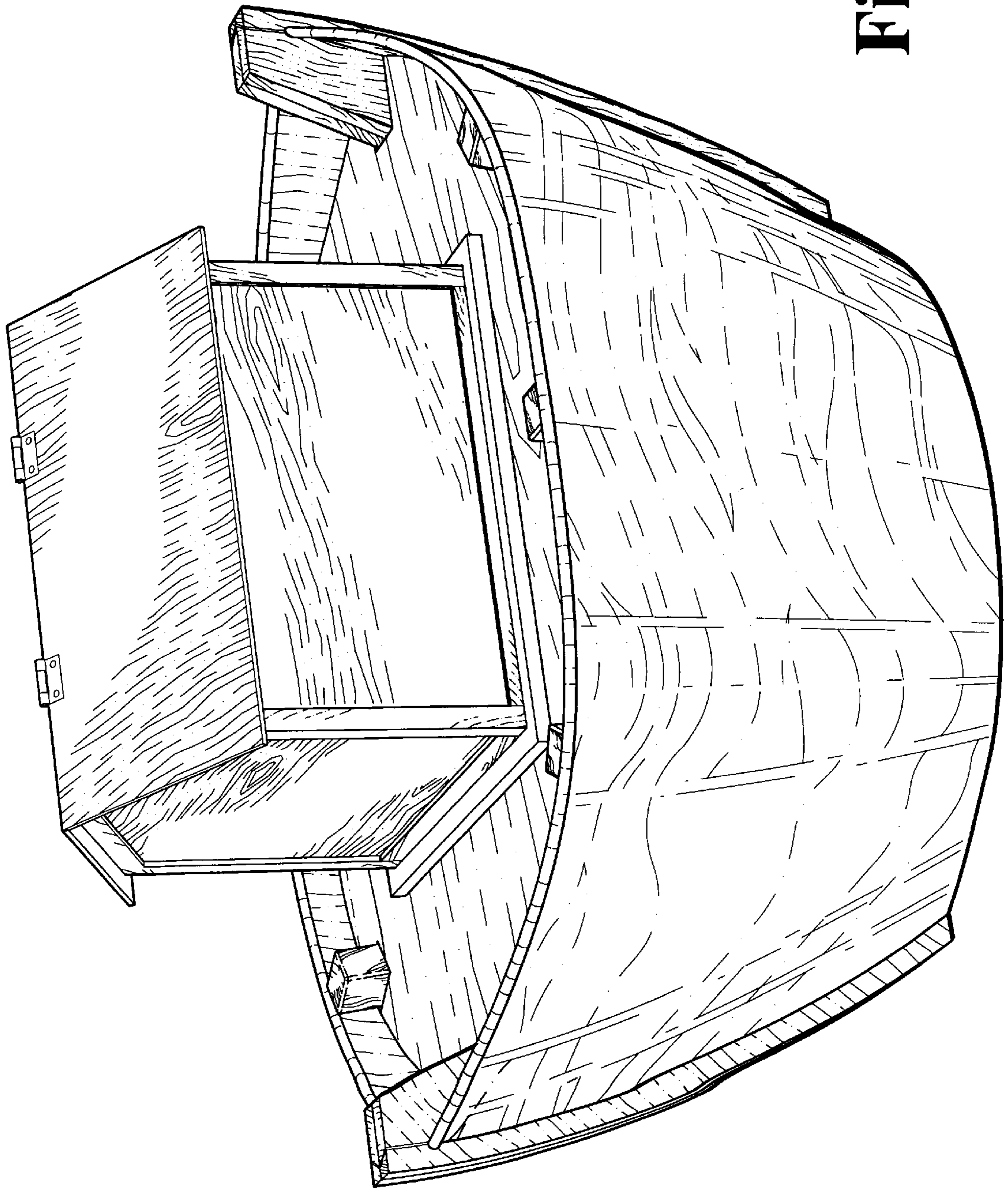


Fig. 1

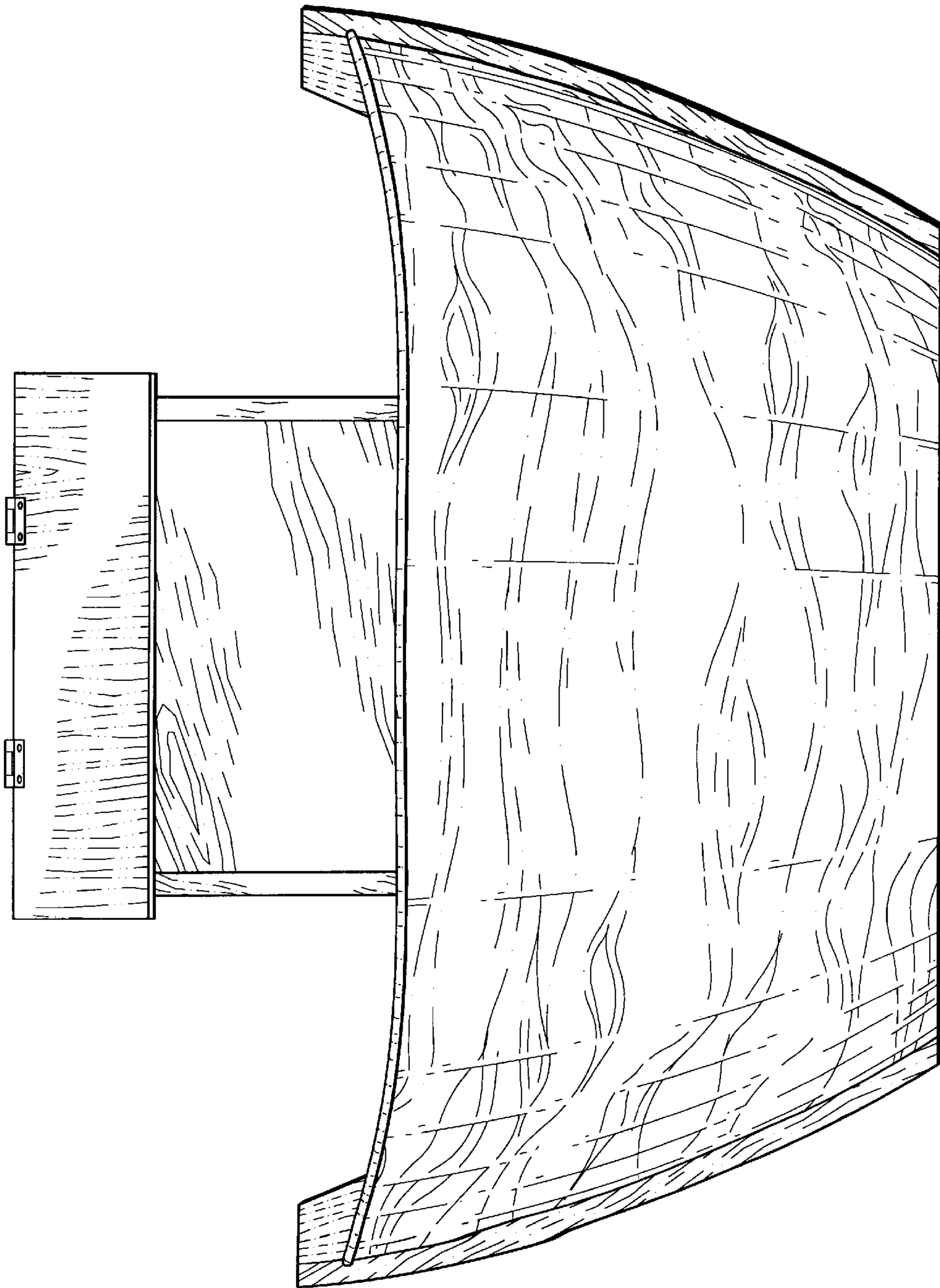


Fig. 2

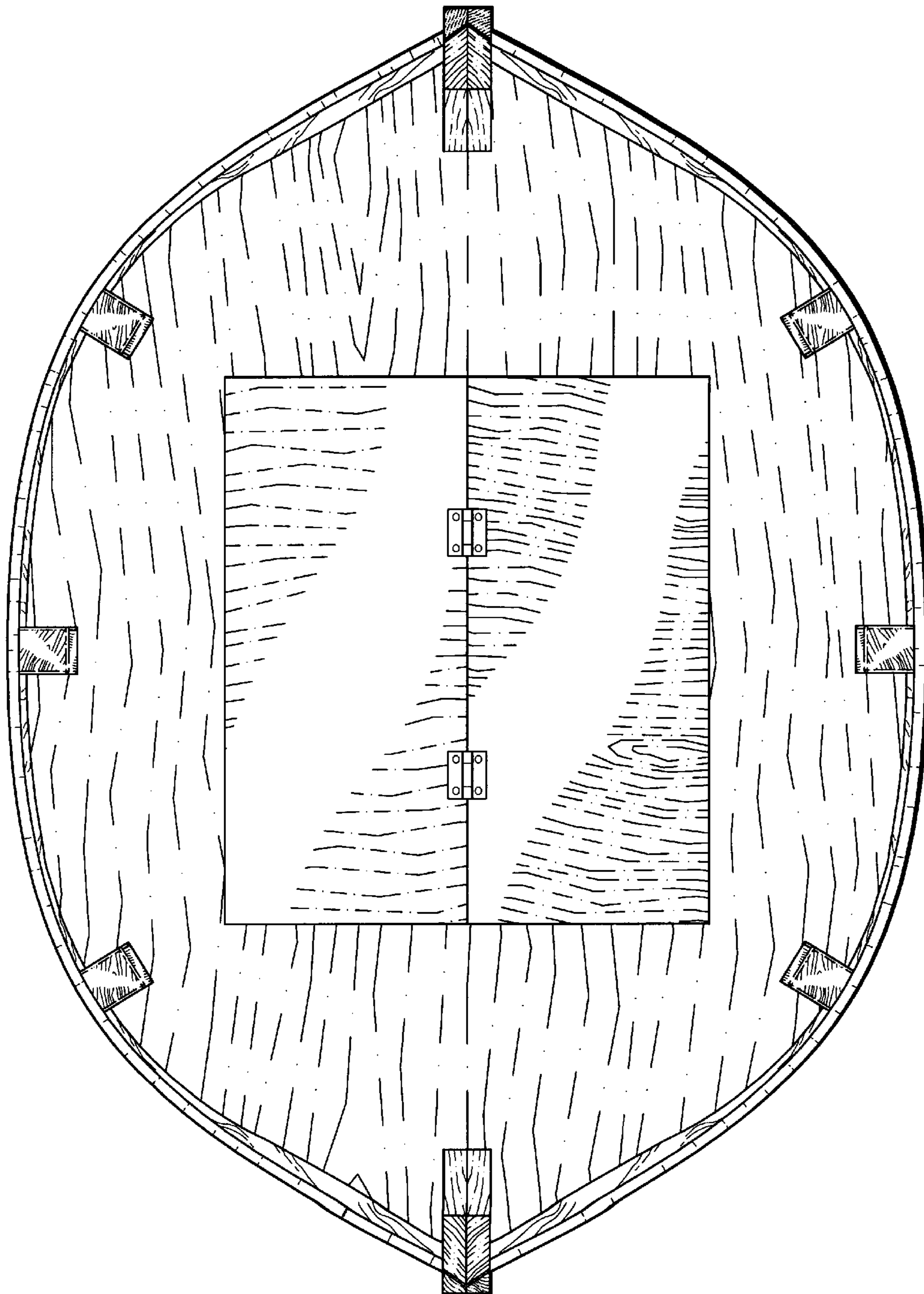
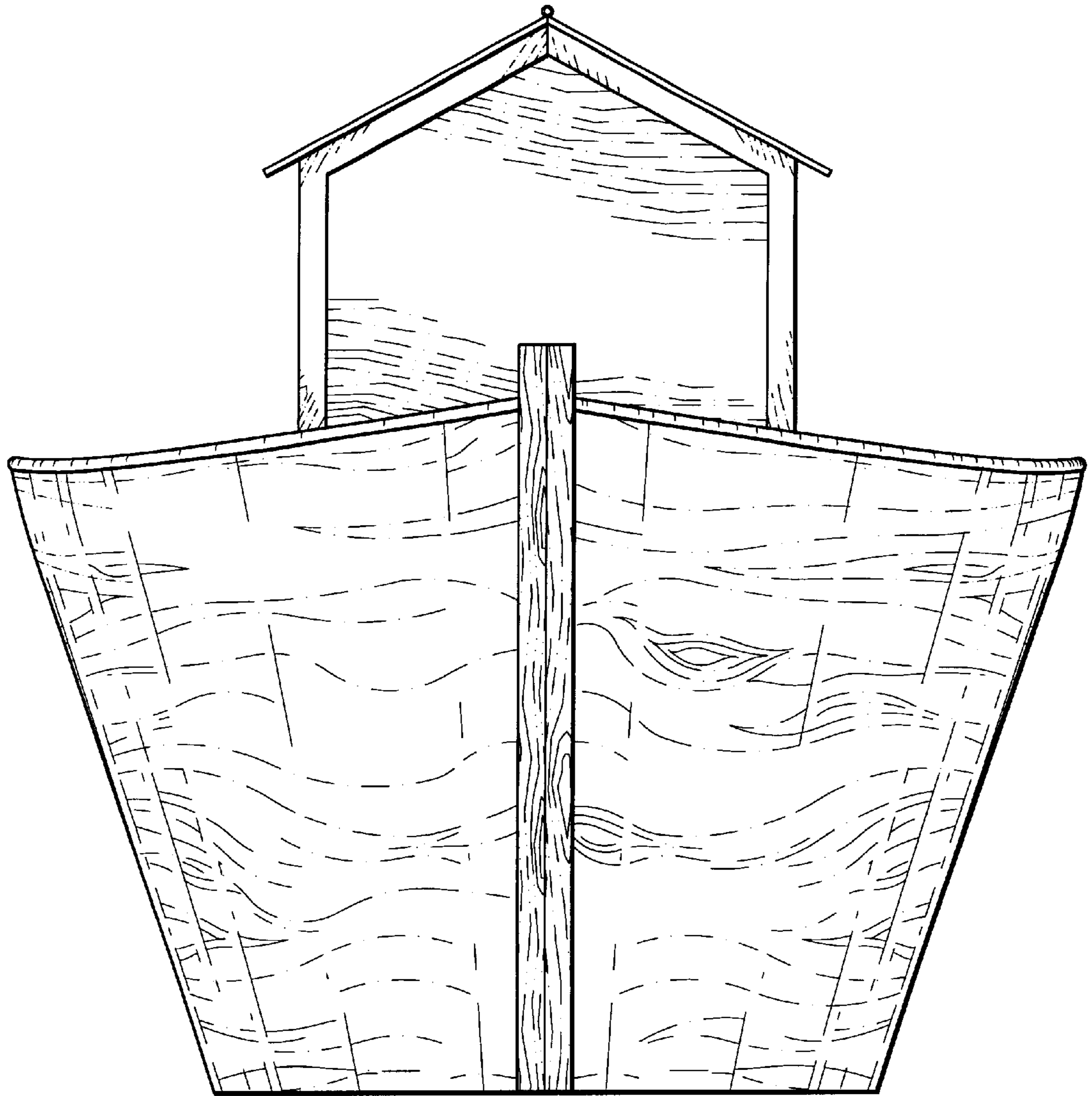


Fig. 3



**Fig. 4**

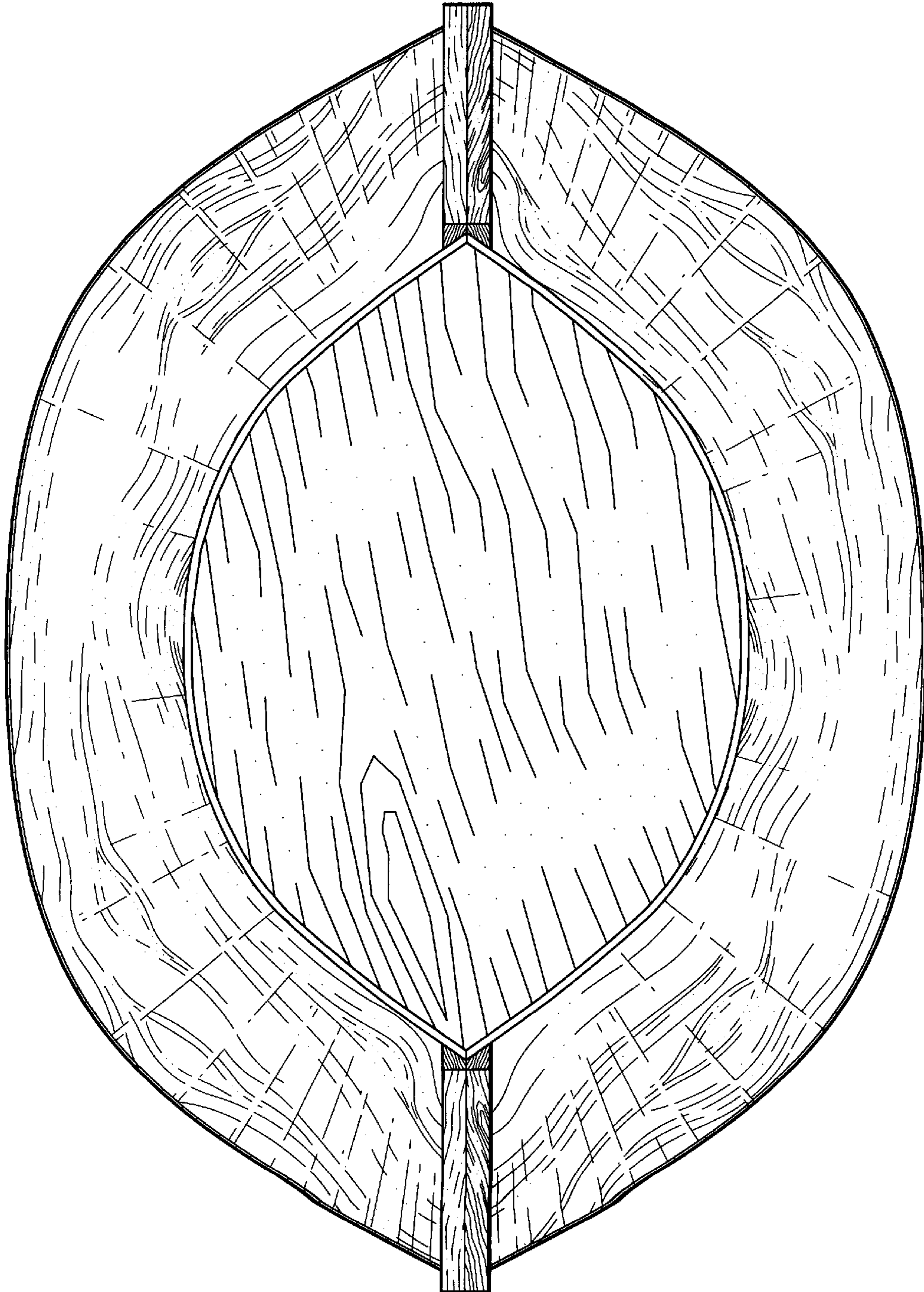


Fig. 5