



US00D430743S

United States Patent [19]

Pomeroy et al.

[11] Patent Number: Des. 430,743

[45] Date of Patent: ** Sep. 12, 2000

[54] DUAL CHAIR GLIDERS WITH TABLE

[75] Inventors: Charles Pomeroy; John T. Bycraft, both of South Bend, Ind.

[73] Assignee: Jack-Post Corporation, Buchanan, Mich.

[**] Term: 14 Years

[21] Appl. No.: 29/112,922

[22] Filed: Oct. 26, 1999

[51] LOC (7) Cl. 06-01

[52] U.S. Cl. D6/336; D6/344

[58] Field of Search D6/334, 335, 336, D6/344, 347, 364, 365, 369, 374, 376, 379, 381, 500-502; 297/258.1, 280, 281, 282, 344.21, 411.42, 411.44, 171, 452.63

[56] References Cited

U.S. PATENT DOCUMENTS

| | | | | |
|------------|--------|----------------|-------|--------|
| D. 135,777 | 6/1943 | Smith | | D6/347 |
| D. 265,952 | 8/1982 | Theodore | | D6/336 |
| D. 290,911 | 7/1987 | Pomeroy et al. | | D6/381 |
| D. 328,197 | 7/1992 | Braxton, III | | D6/347 |

| | | | | |
|------------|---------|----------------|-------|--------|
| D. 334,485 | 4/1993 | Pomeroy et al. | | D6/344 |
| D. 400,720 | 11/1998 | Pomeroy et al. | | D6/344 |
| D. 417,559 | 12/1999 | Pomeroy et al. | | D6/344 |

Primary Examiner—Doris V. Coles
Assistant Examiner—Mimosa De
Attorney, Agent, or Firm—Jenkins & Gilchrist

[57] CLAIM

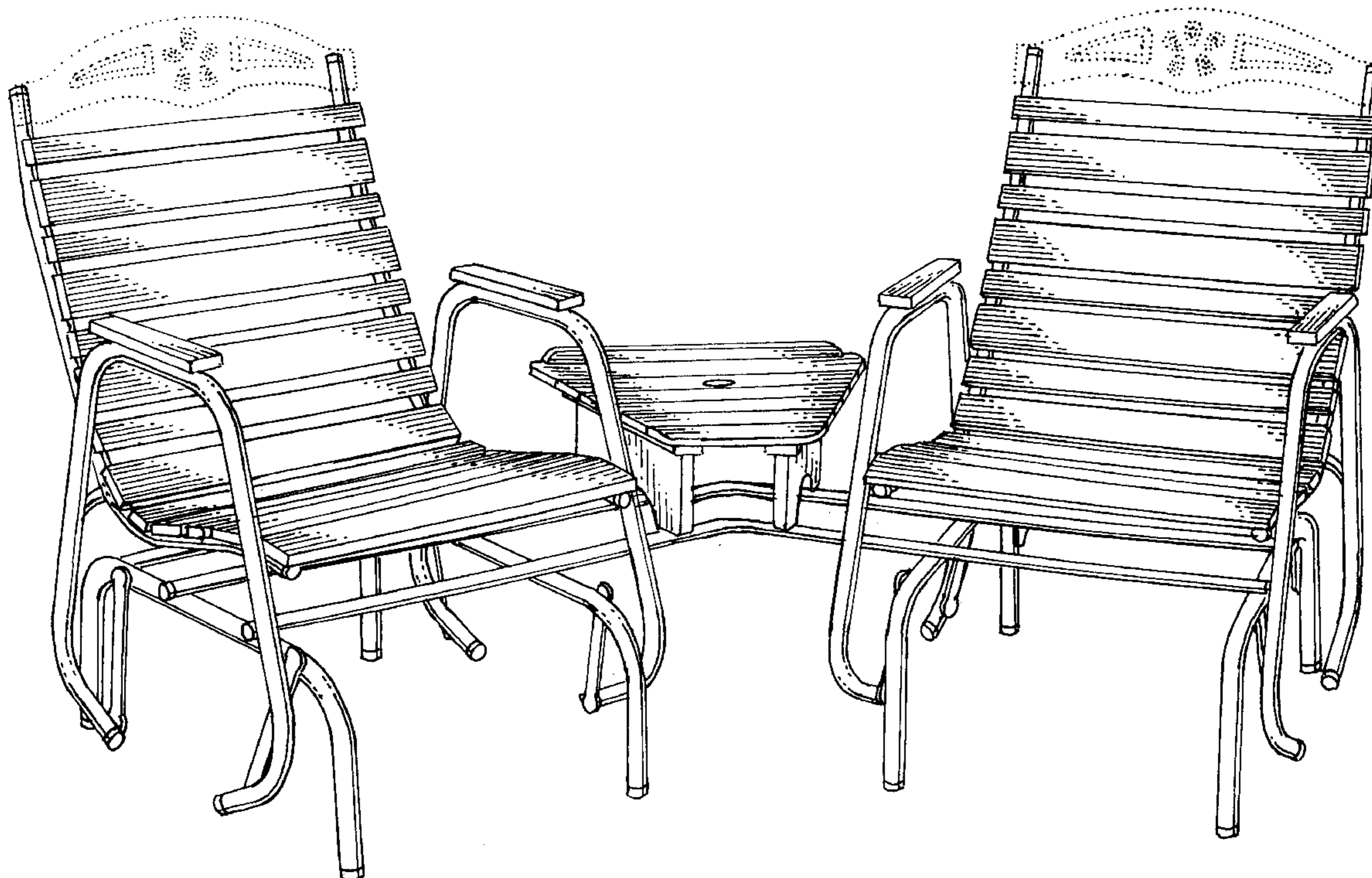
The ornamental design for dual chair gliders with table, as shown and described.

DESCRIPTION

FIG. 1 is an front perspective view of the dual chair gliders with table showing our new design; FIG. 2 is a top plan view; FIG. 3 is a bottom plan view; FIG. 4 is a front elevational view; FIG. 5 is a rear elevational view; and, FIG. 6 is an end elevational view, the opposite end being a mirror image thereof.

The broken line showing of the top portion of the dual chair gliders is for illustrative purposes only and forms no part of the claimed design.

1 Claim, 6 Drawing Sheets



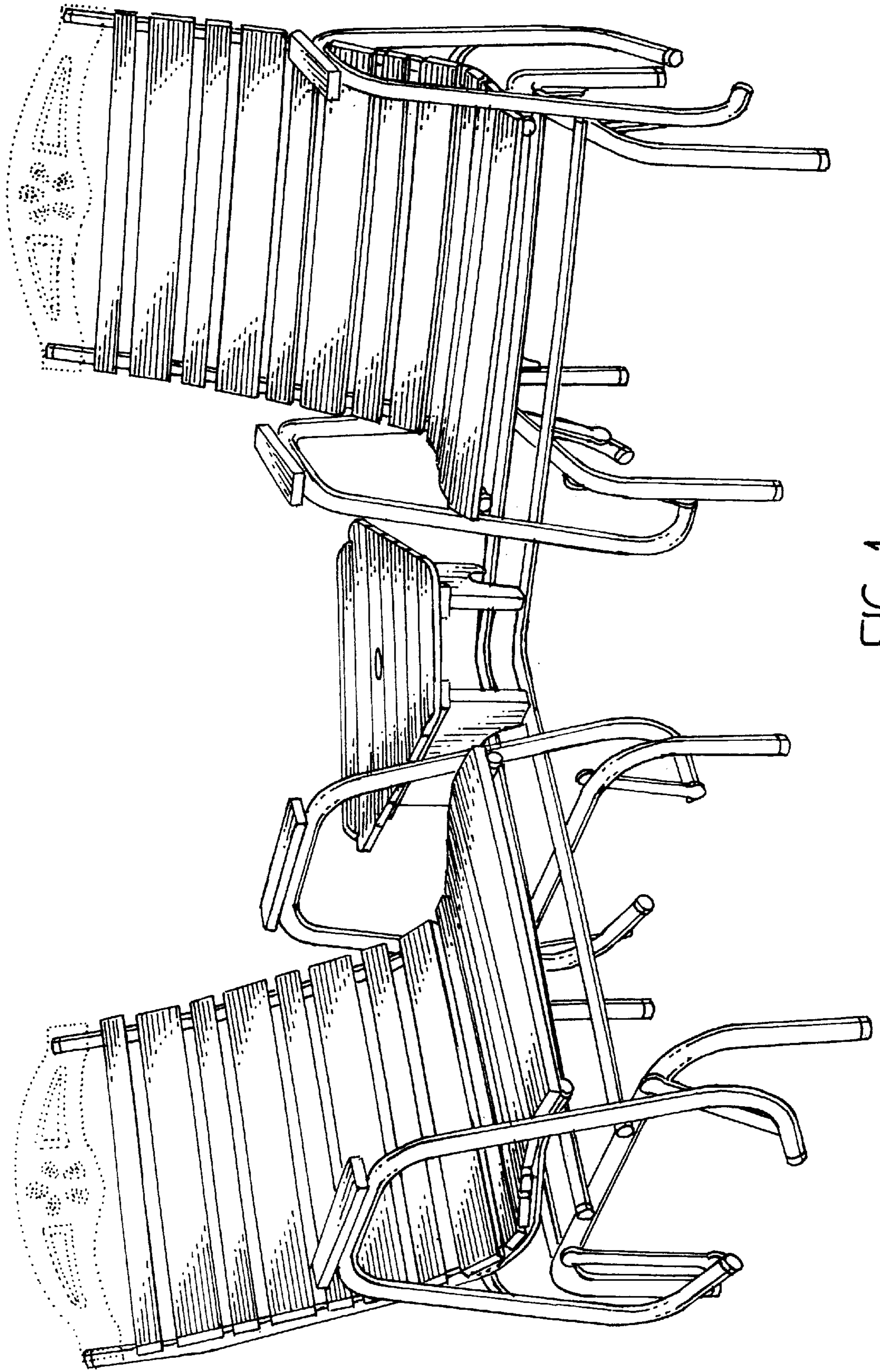


FIG. 1

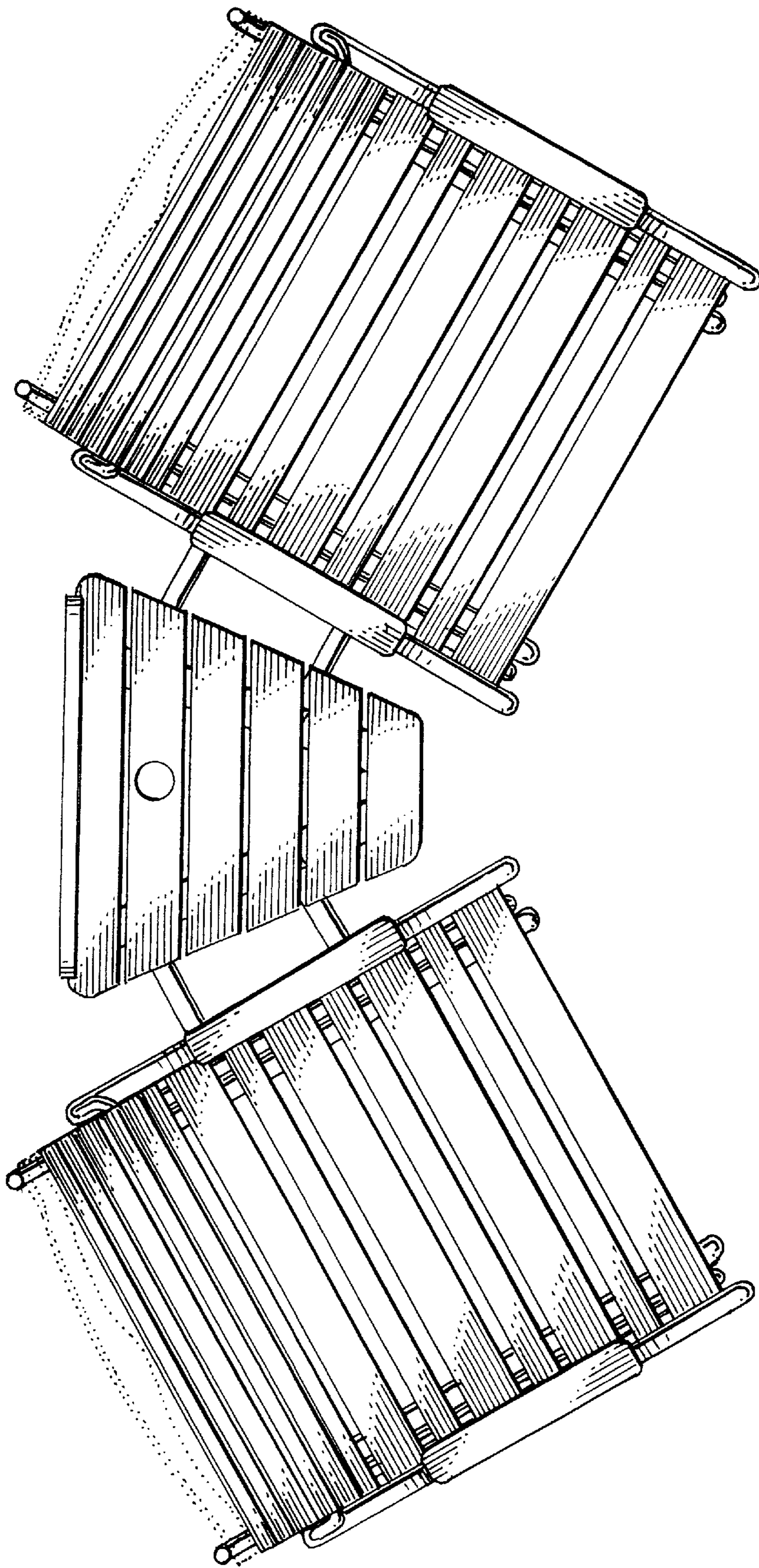


FIG. 2

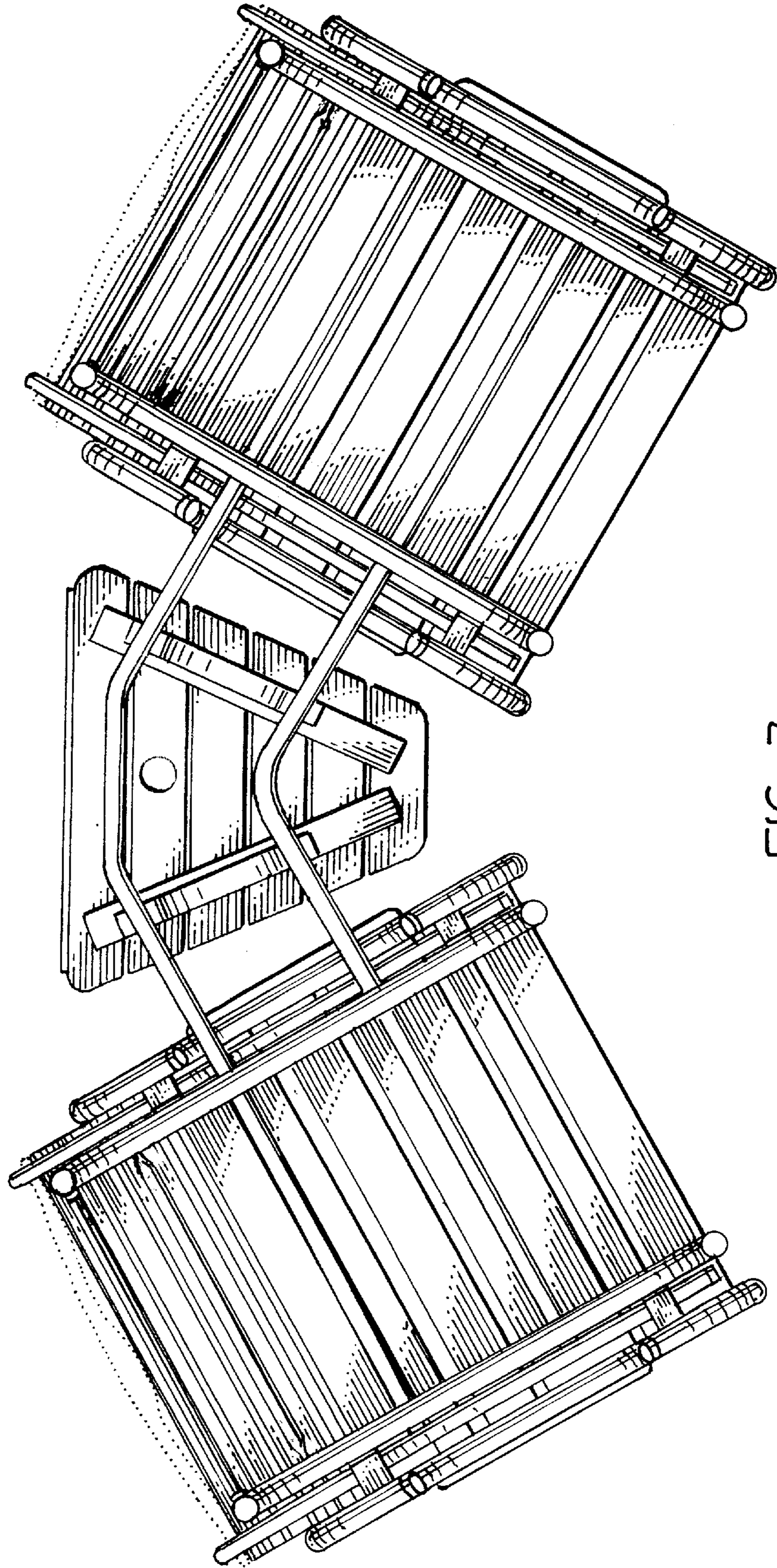


FIG. 3

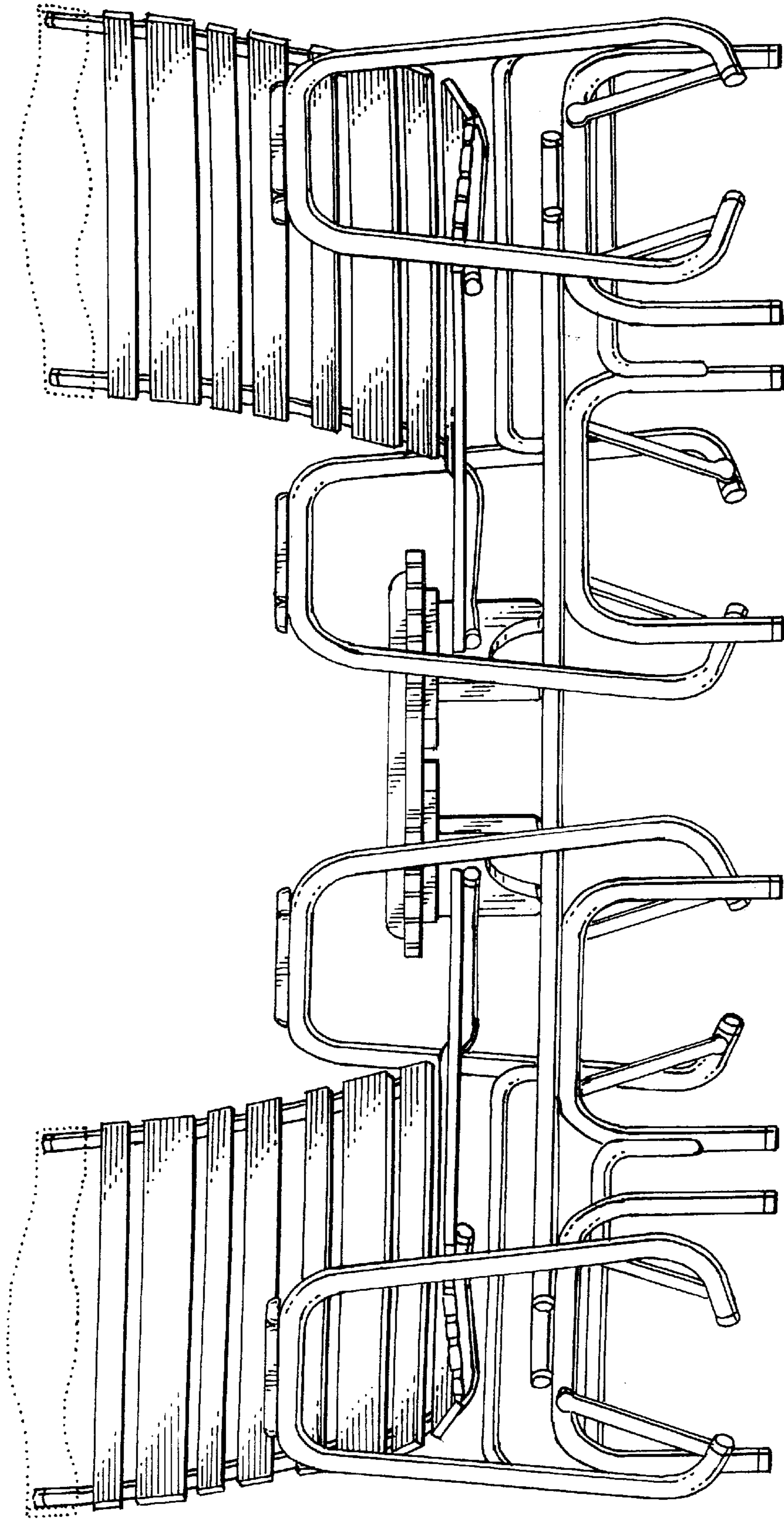


FIG. 4

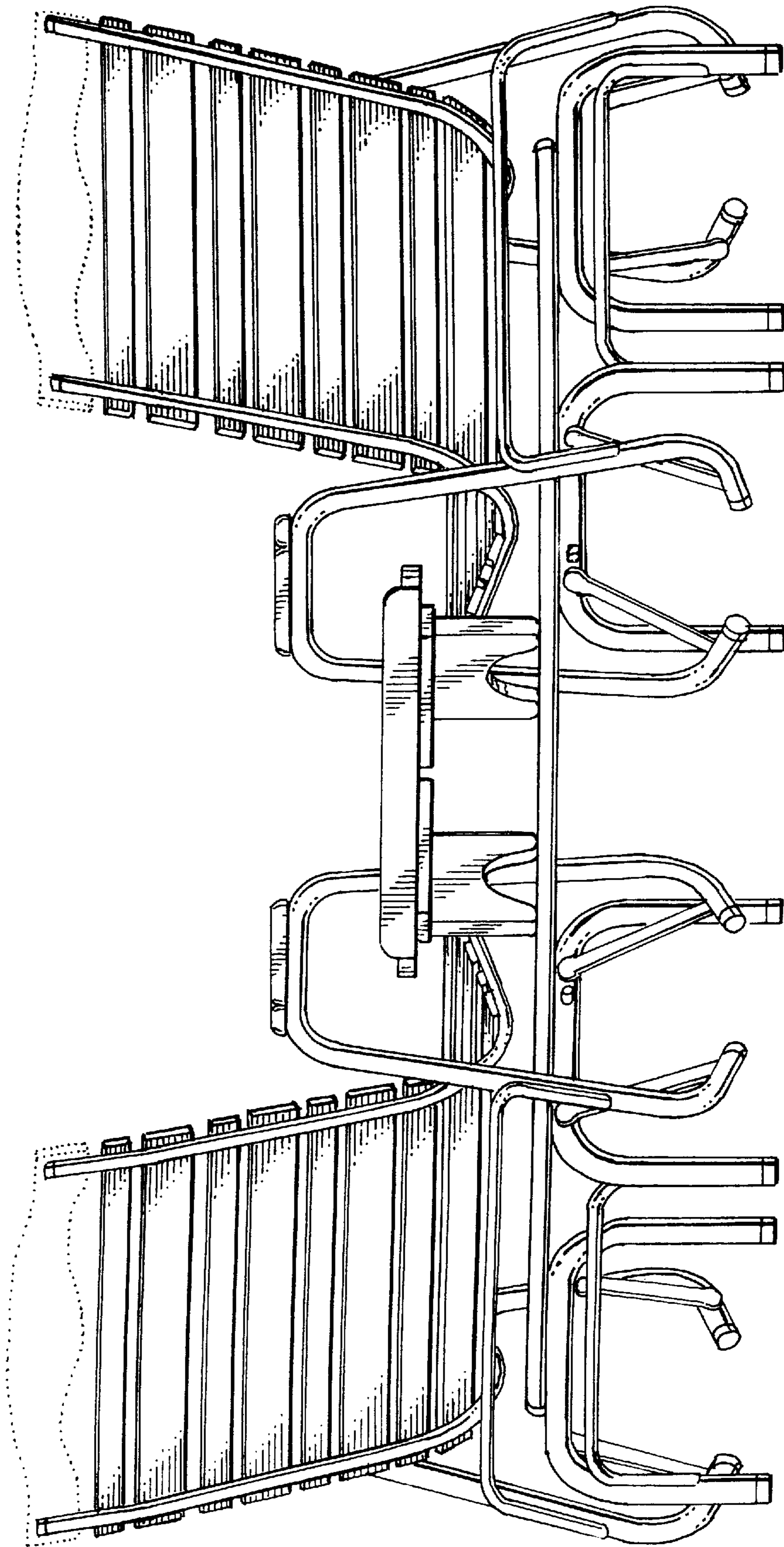


FIG. 5

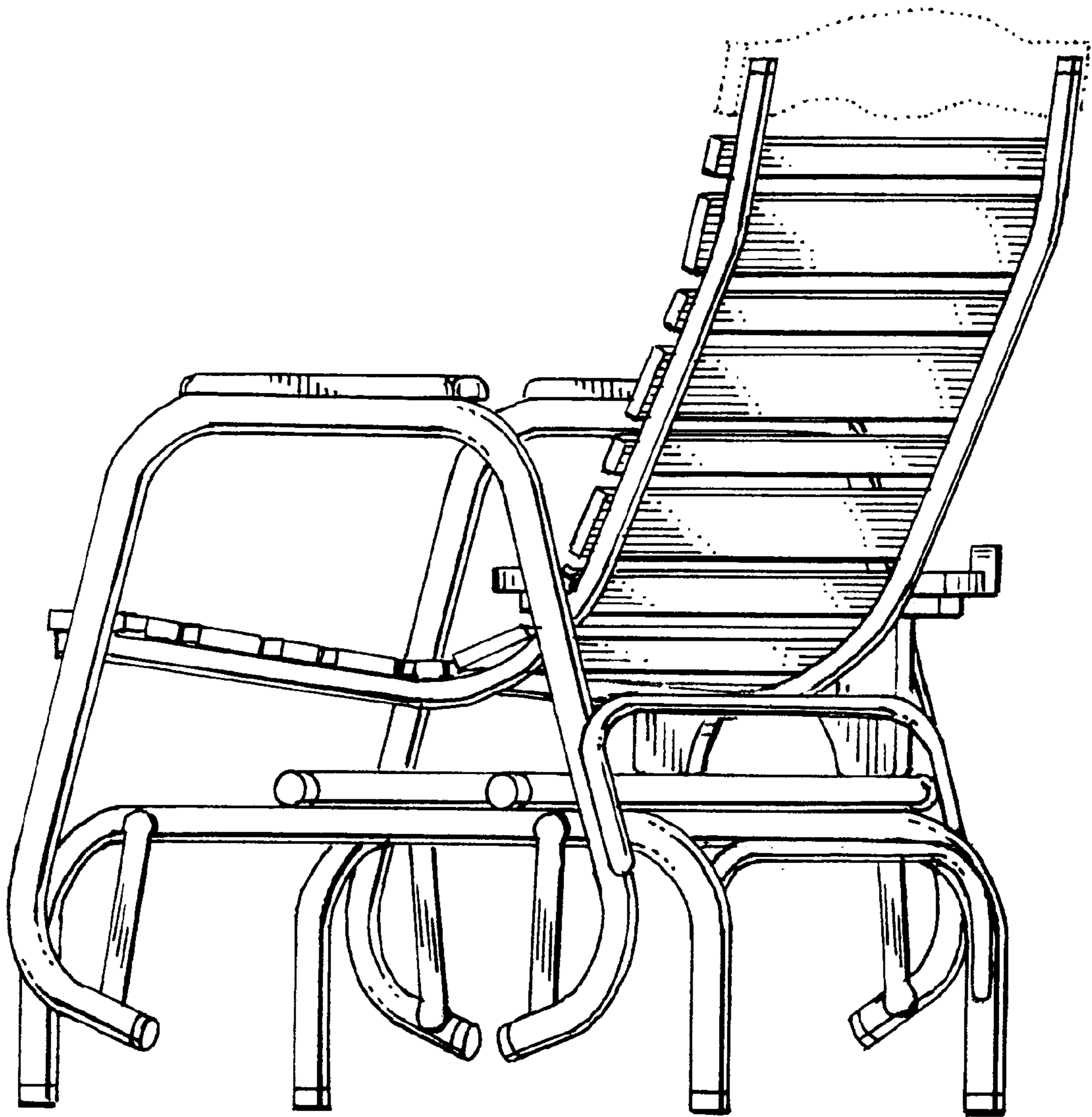


FIG. 6