



US00D430738S

United States Patent [19] Zaidman

[11] Patent Number: **Des. 430,738**

[45] Date of Patent: **** Sep. 12, 2000**

[54] SEATING FURNITURE

[75] Inventor: **S. Paul Zaidman**, Winnipeg, Canada

[73] Assignee: **Palliser Furniture Ltd.**, Winnipeg, Canada

[**] Term: **14 Years**

[21] Appl. No.: **29/099,844**

[22] Filed: **Jan. 29, 1999**

[51] LOC (7) Cl. **06-01**

[52] U.S. Cl. **D6/334; D6/381**

[58] Field of Search D6/334, 335, 336,
D6/364, 371, 373, 381, 500, 501, 502;
5/12.1; 297/232, 445.1

[56] **References Cited**

U.S. PATENT DOCUMENTS

D. 260,582	9/1981	Lüthy	D6/381
D. 362,128	9/1995	Natuzzi et al.	D6/381
D. 366,371	1/1996	Natuzzi et al.	D6/381
D. 369,480	5/1996	Natuzzi et al.	D6/381
D. 370,792	6/1996	Natuzzi et al.	D6/381
D. 372,808	8/1996	Natuzzi et al.	D6/381
D. 380,103	6/1997	Natuzzi et al.	D6/381
D. 383,326	9/1997	Hopfer	D6/381
D. 385,426	10/1997	Gibson	D6/381
D. 390,371	2/1998	Gibson	D6/381
D. 392,472	3/1998	Natuzzi et al.	D6/381
D. 400,368	11/1998	Natuzzi et al.	D6/381
D. 417,971	12/1999	Natuzzi et al.	D6/381

Primary Examiner—Gary D. Watson
Attorney, Agent, or Firm—Marshall, O’Toole, Gerstein,
Murray & Borun

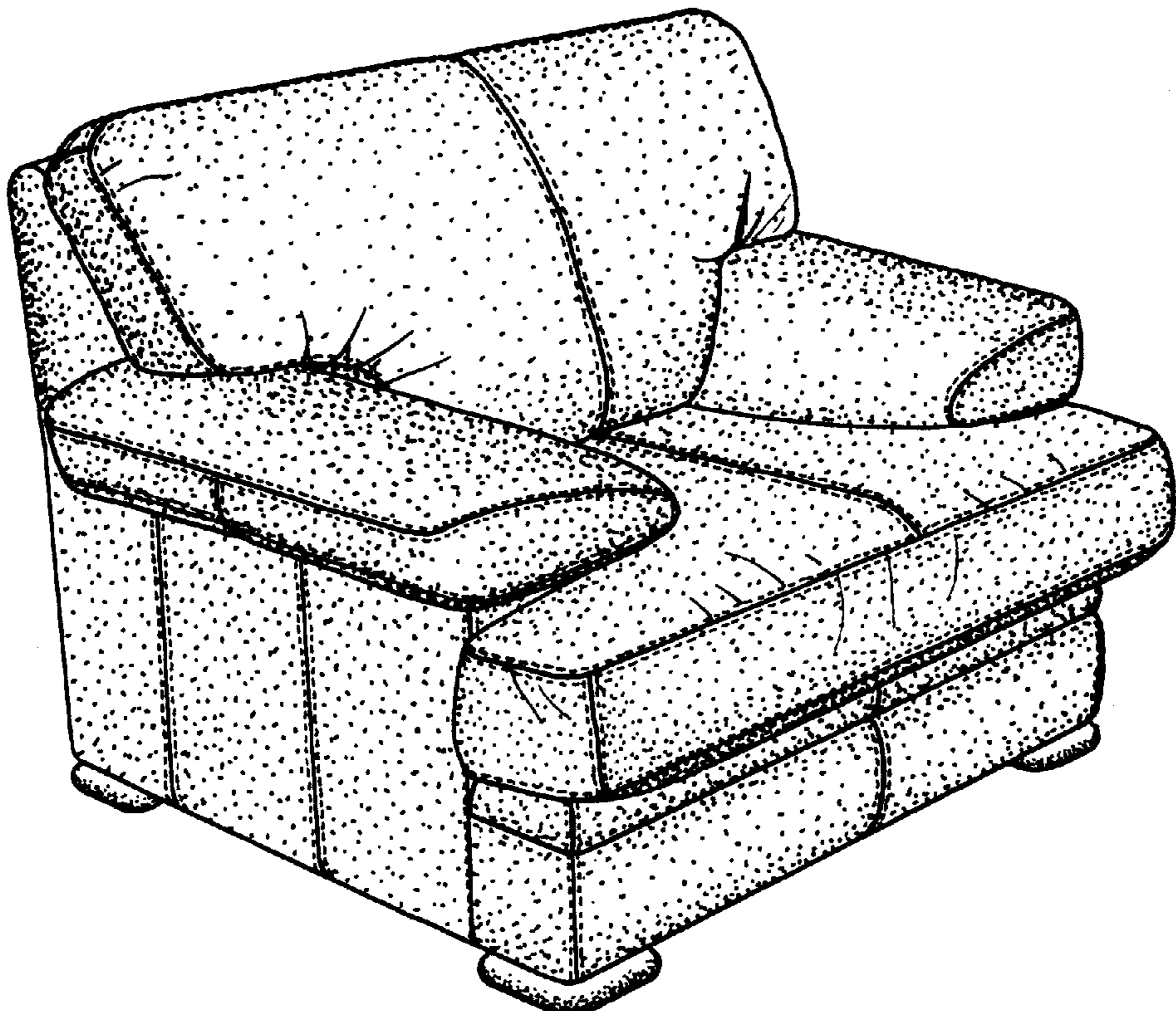
[57] **CLAIM**

The ornamental design for seating furniture, as shown and described.

DESCRIPTION

FIG. 1 is a front perspective view of a first embodiment of seating furniture embodying the design, FIG. 2 is a rear perspective view of the first embodiment, FIG. 3 is a front view of the first embodiment, FIG. 4 is a top view of the first embodiment, FIG. 5 is a right side view of the first embodiment, FIG. 6 is a front perspective view of a second embodiment of seating furniture embodying the design, FIG. 7 is a rear perspective view of the second embodiment, FIG. 8 is a front view of the second embodiment, FIG. 9 is a top view of the second embodiment, FIG. 10 is a right side view of the second embodiment, FIG. 11 is a front perspective view of a third embodiment of seating furniture embodying the design, FIG. 12 is a rear perspective view of the third embodiment, FIG. 13 is a front view of the third embodiment, FIG. 14 is a top view of the third embodiment; and, FIG. 15 is a right side view of the third embodiment. The side of each embodiment which has not been shown is a mirror image of the side shown. The broken lines shown in all views are understood to represent stitching.

1 Claim, 13 Drawing Sheets



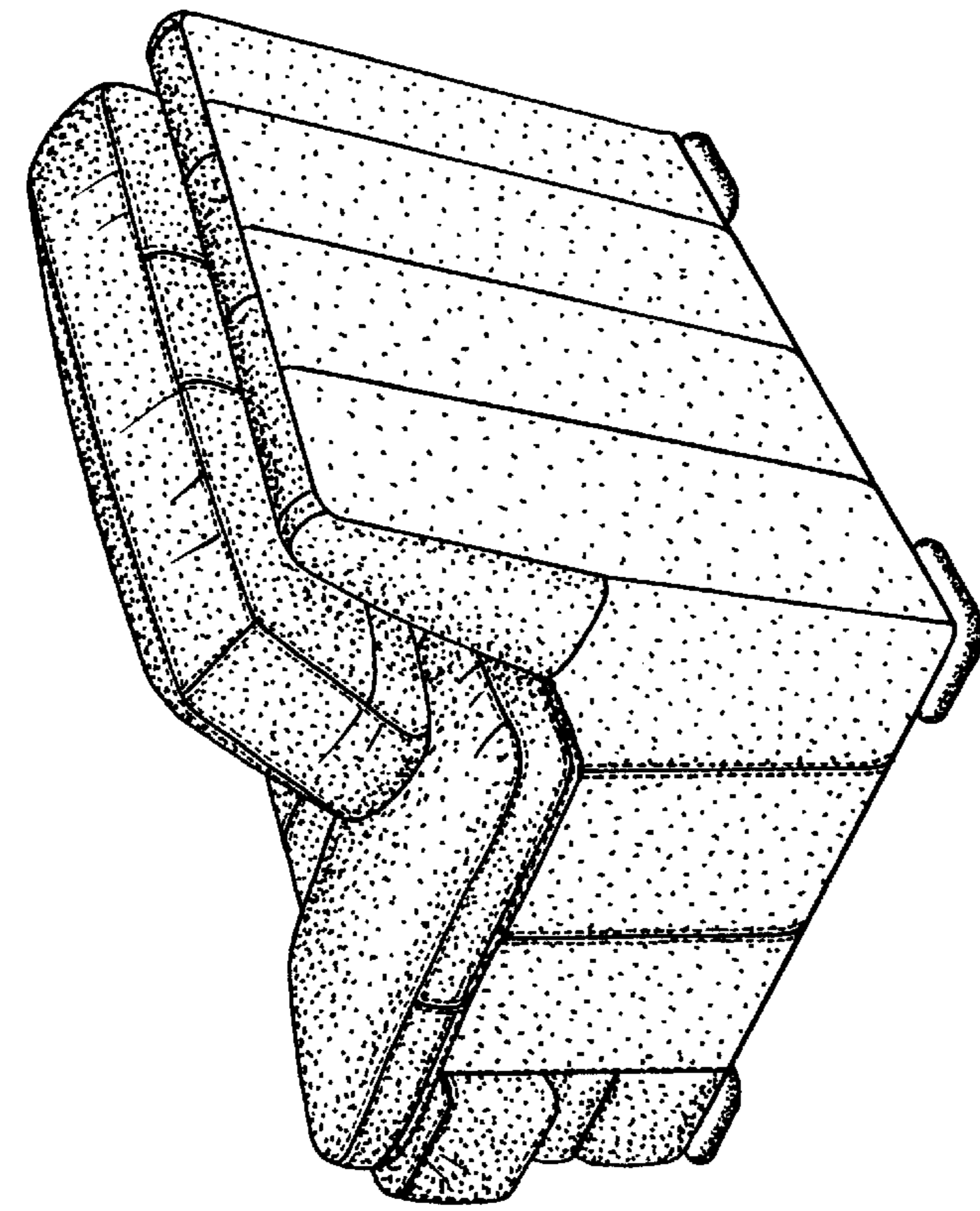


FIG. 1

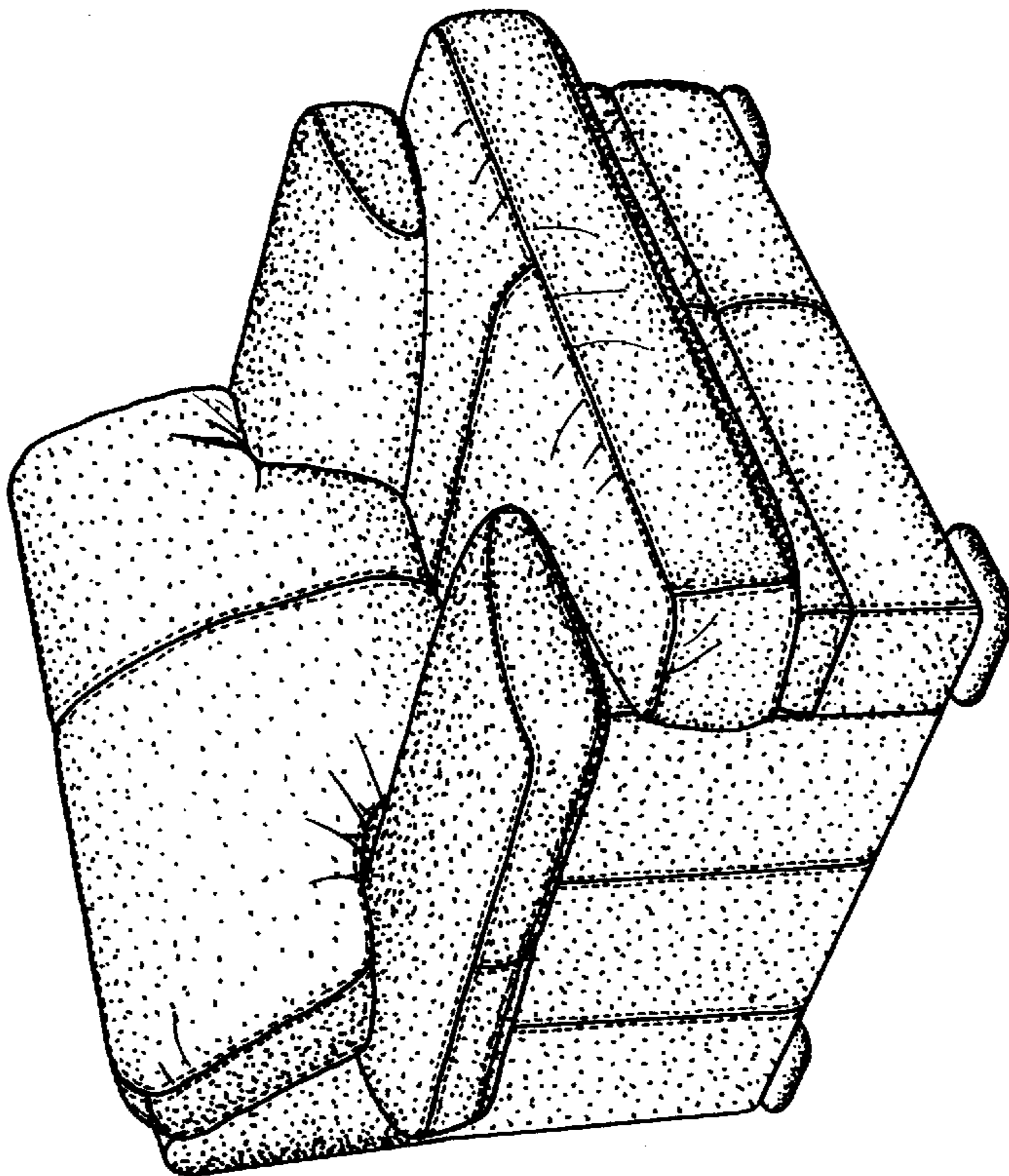


FIG. 2

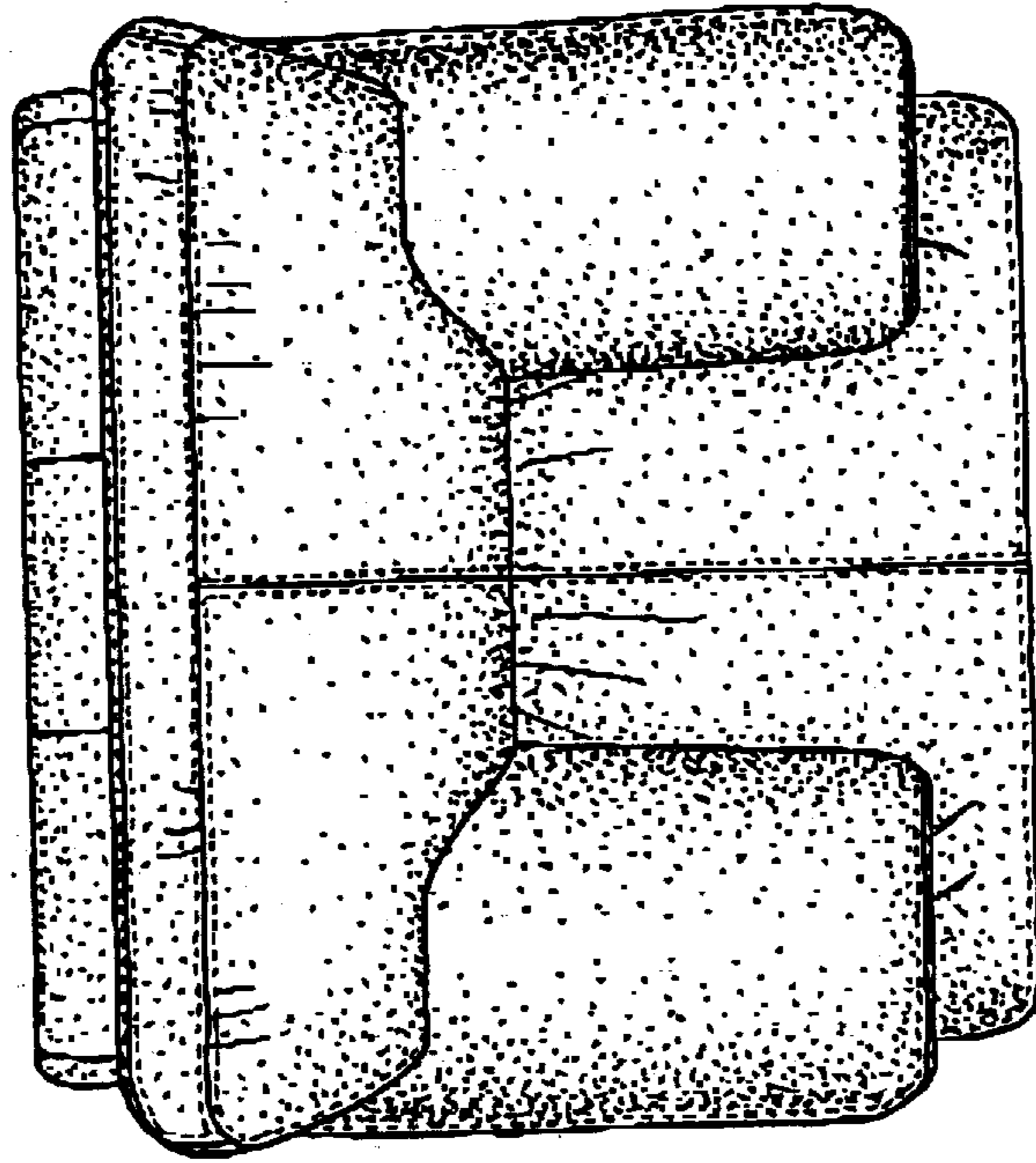


FIG. 4

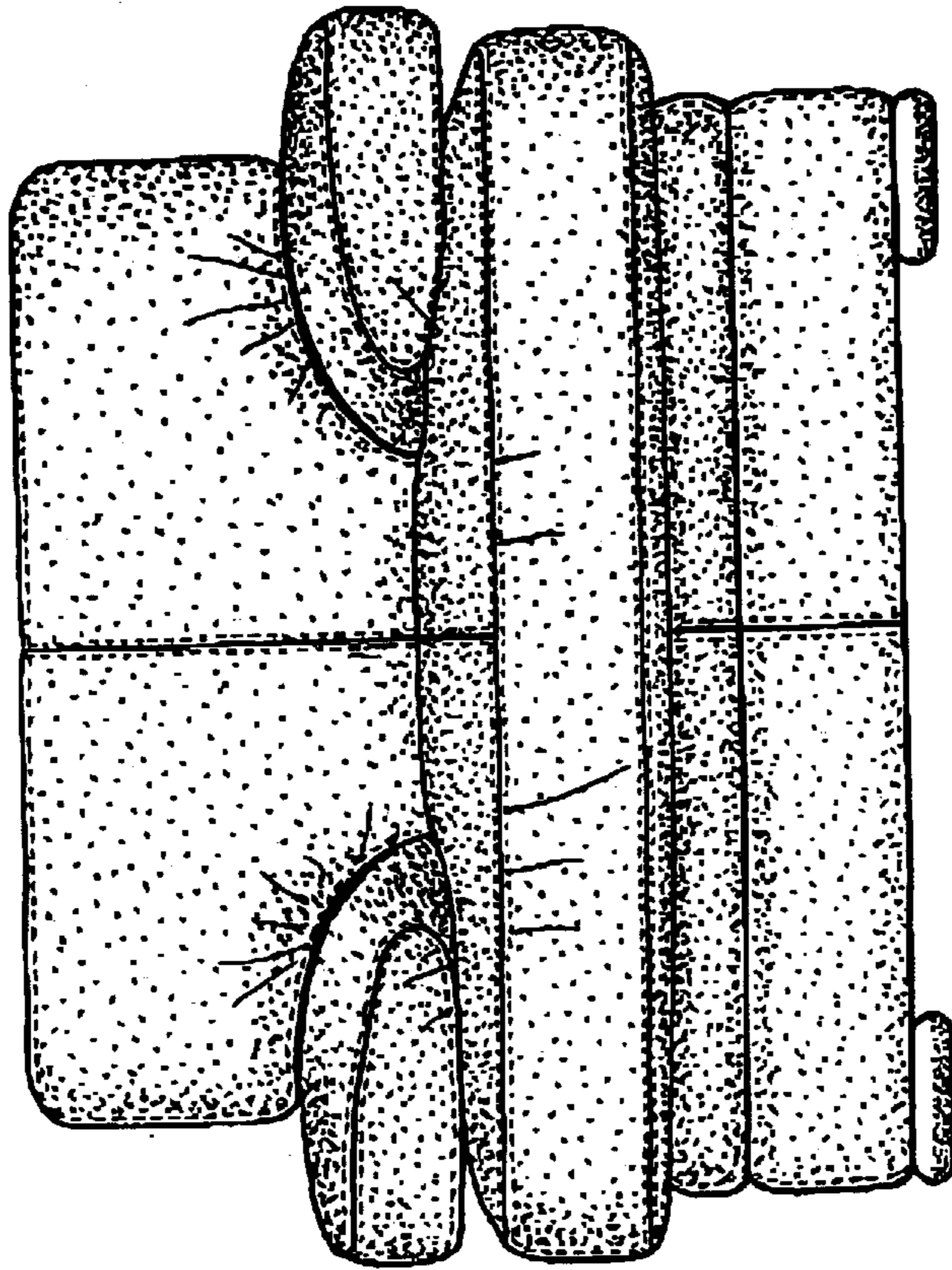


FIG. 3

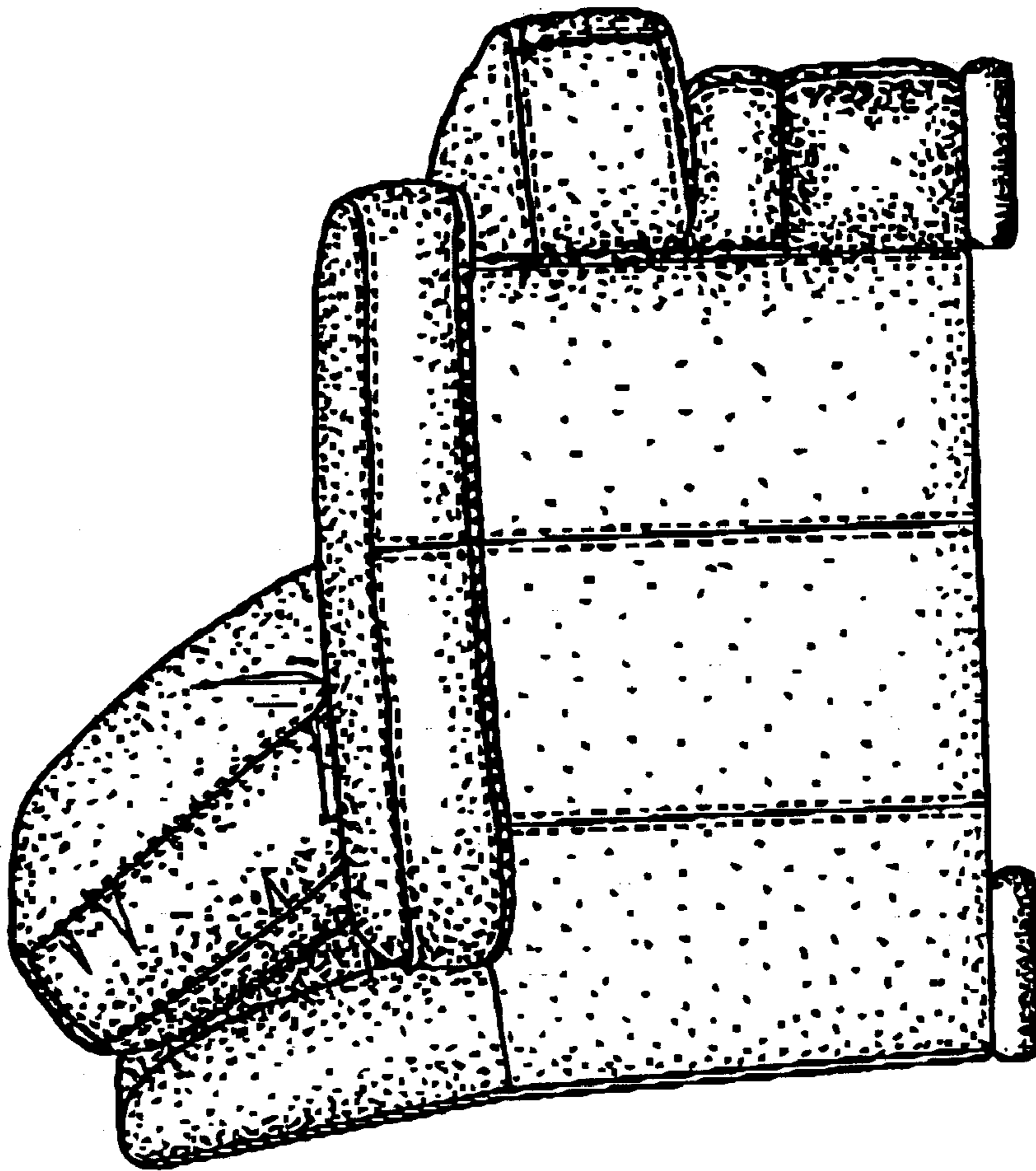


FIG. 5

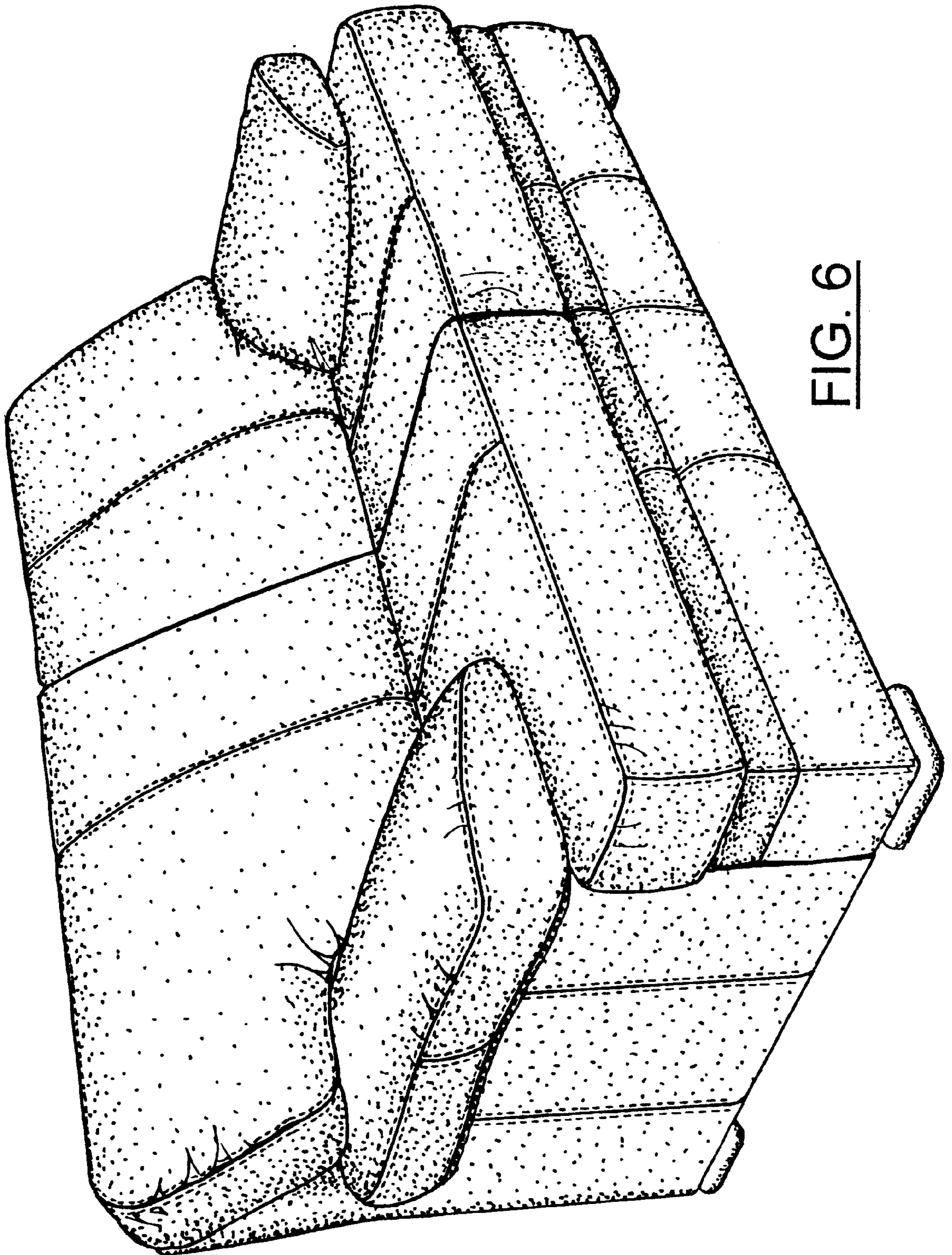


FIG. 6

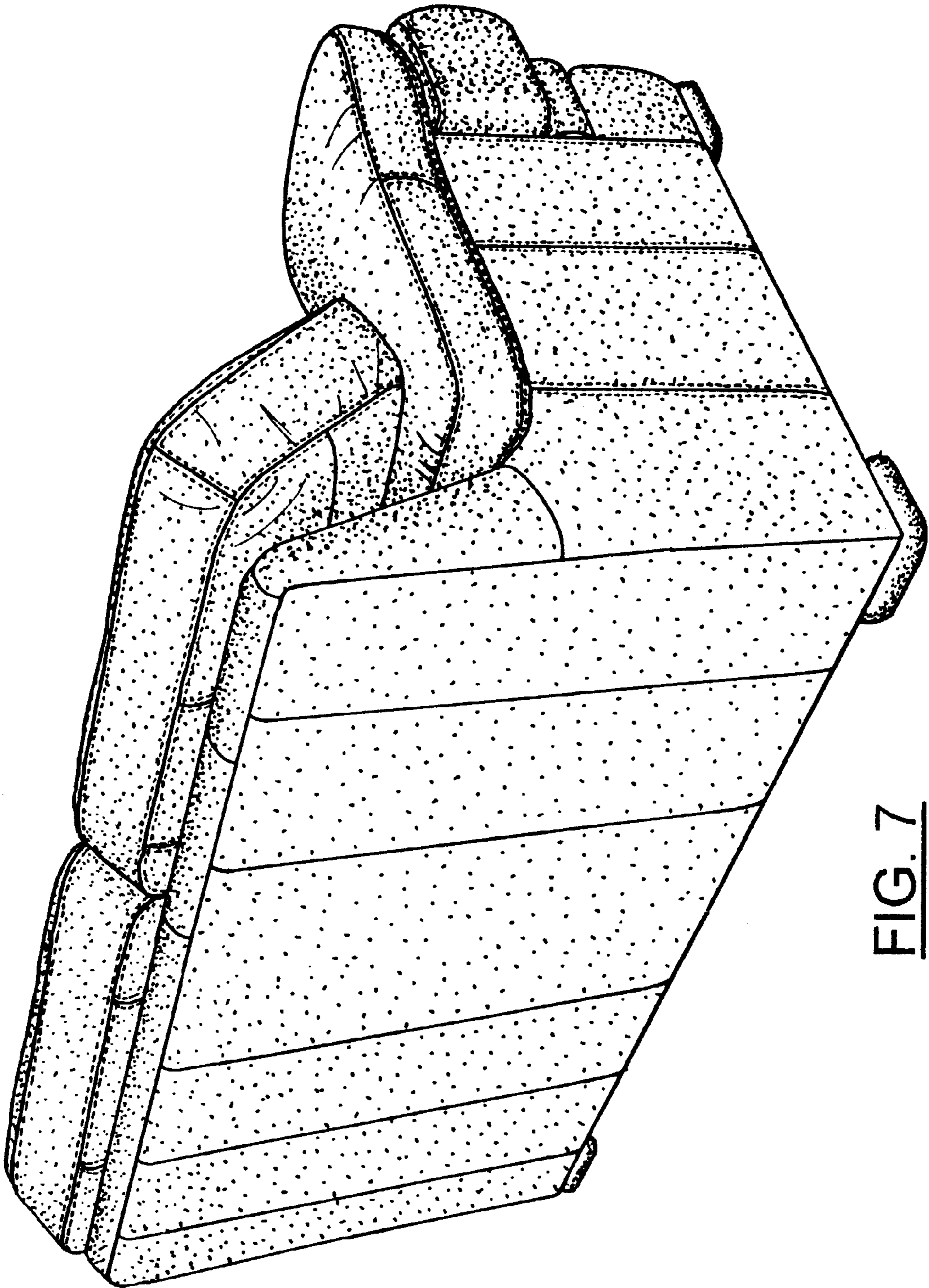


FIG. 7

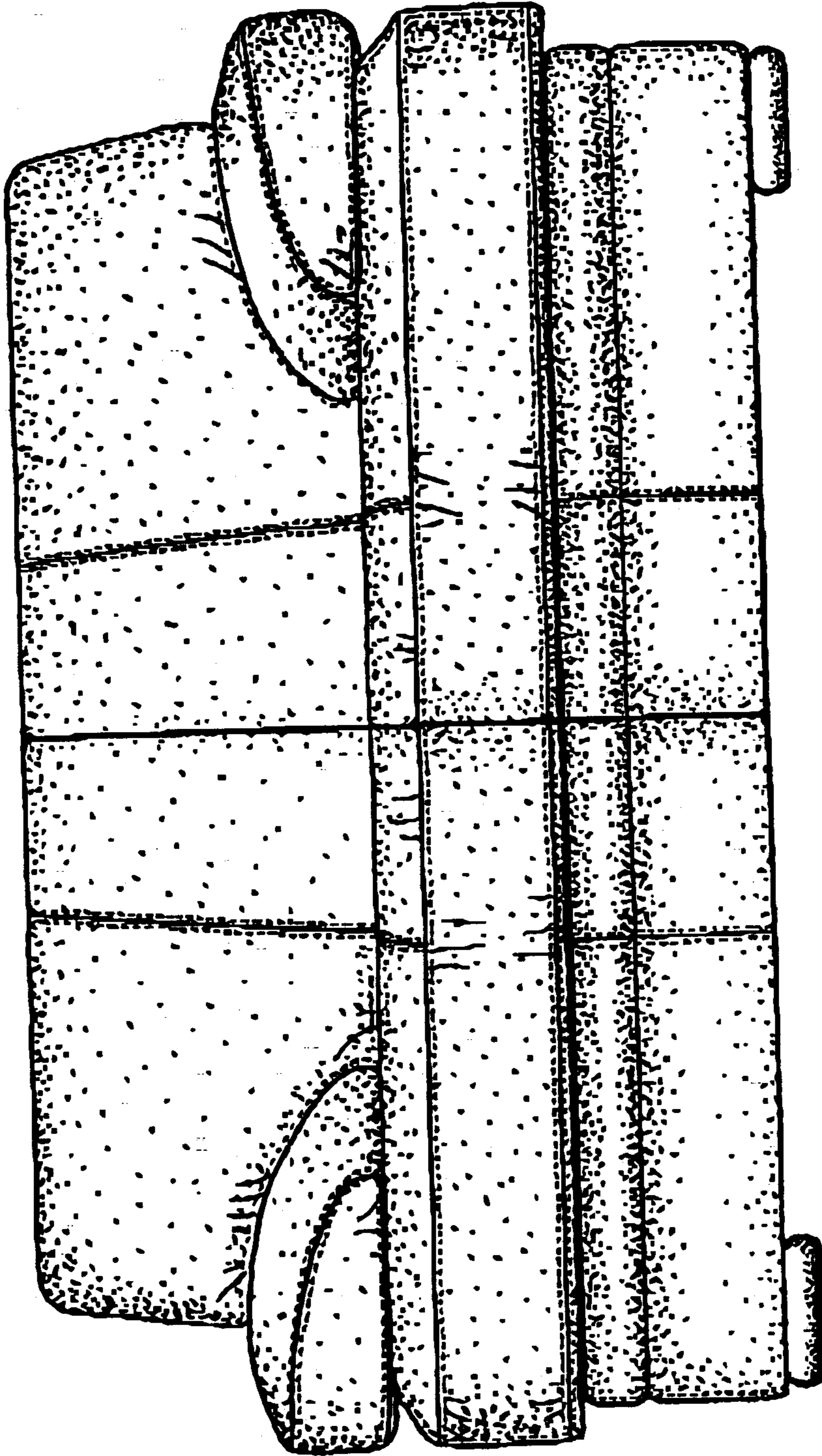


FIG. 8

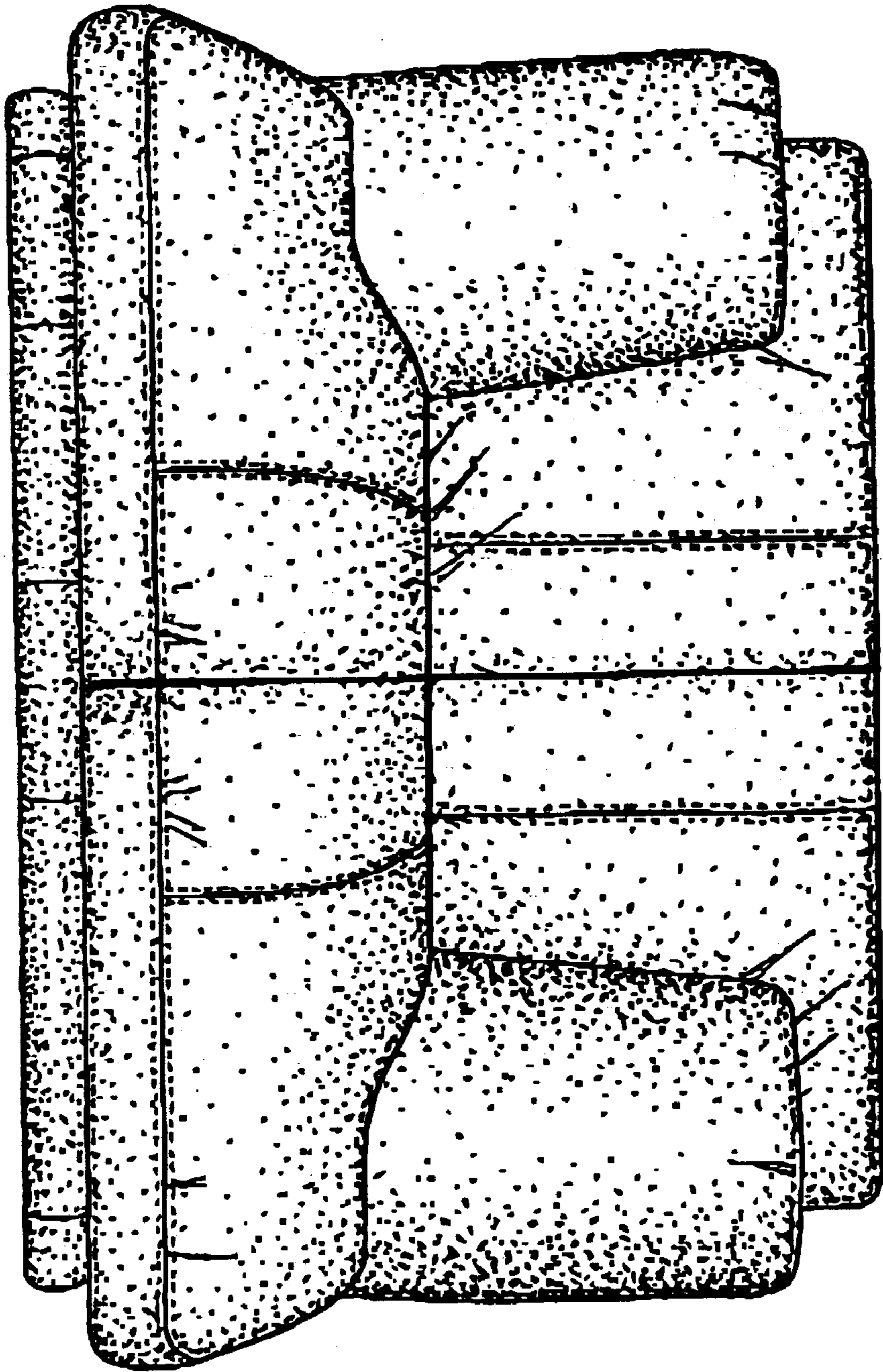


FIG. 9

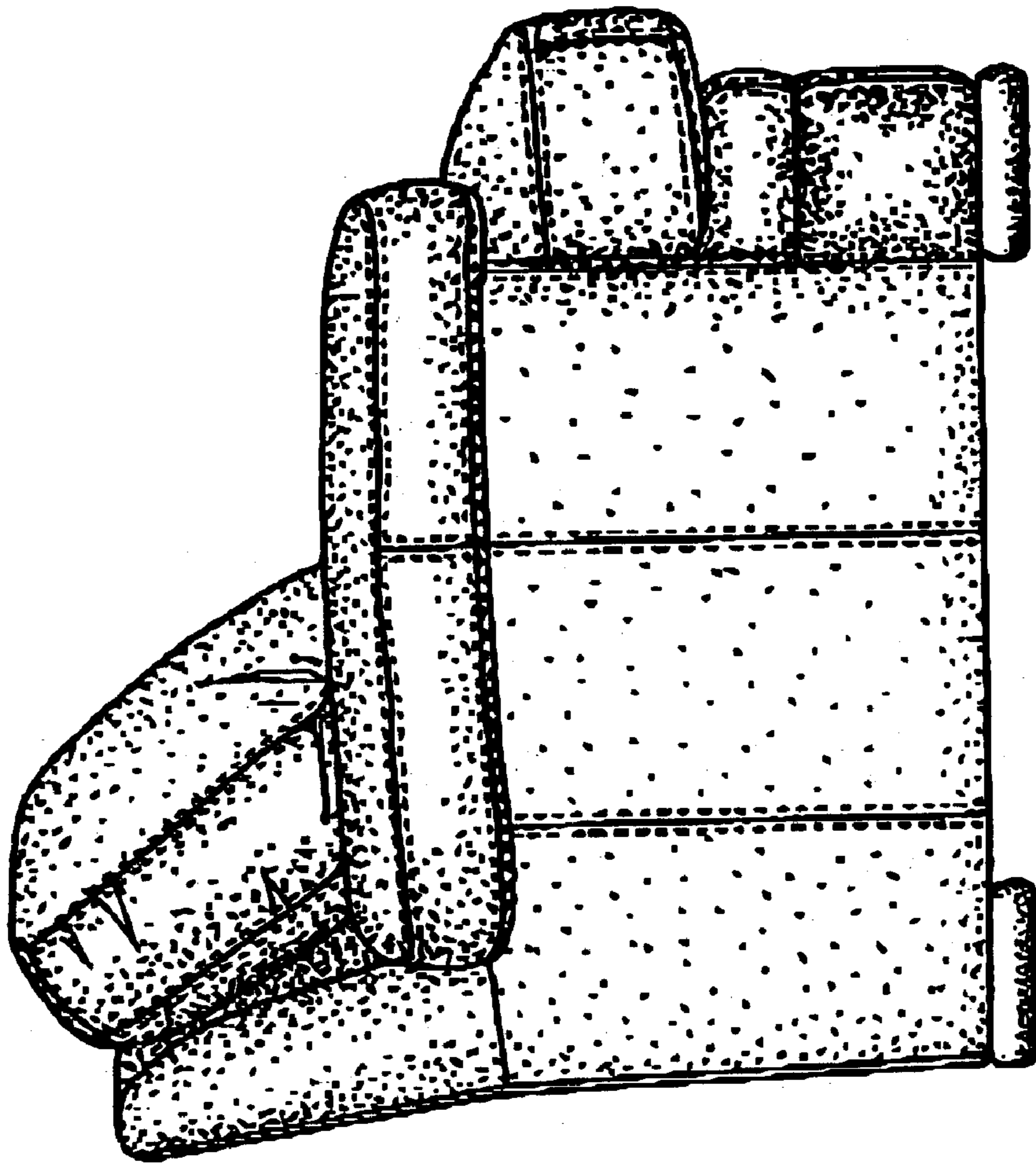


FIG. 10

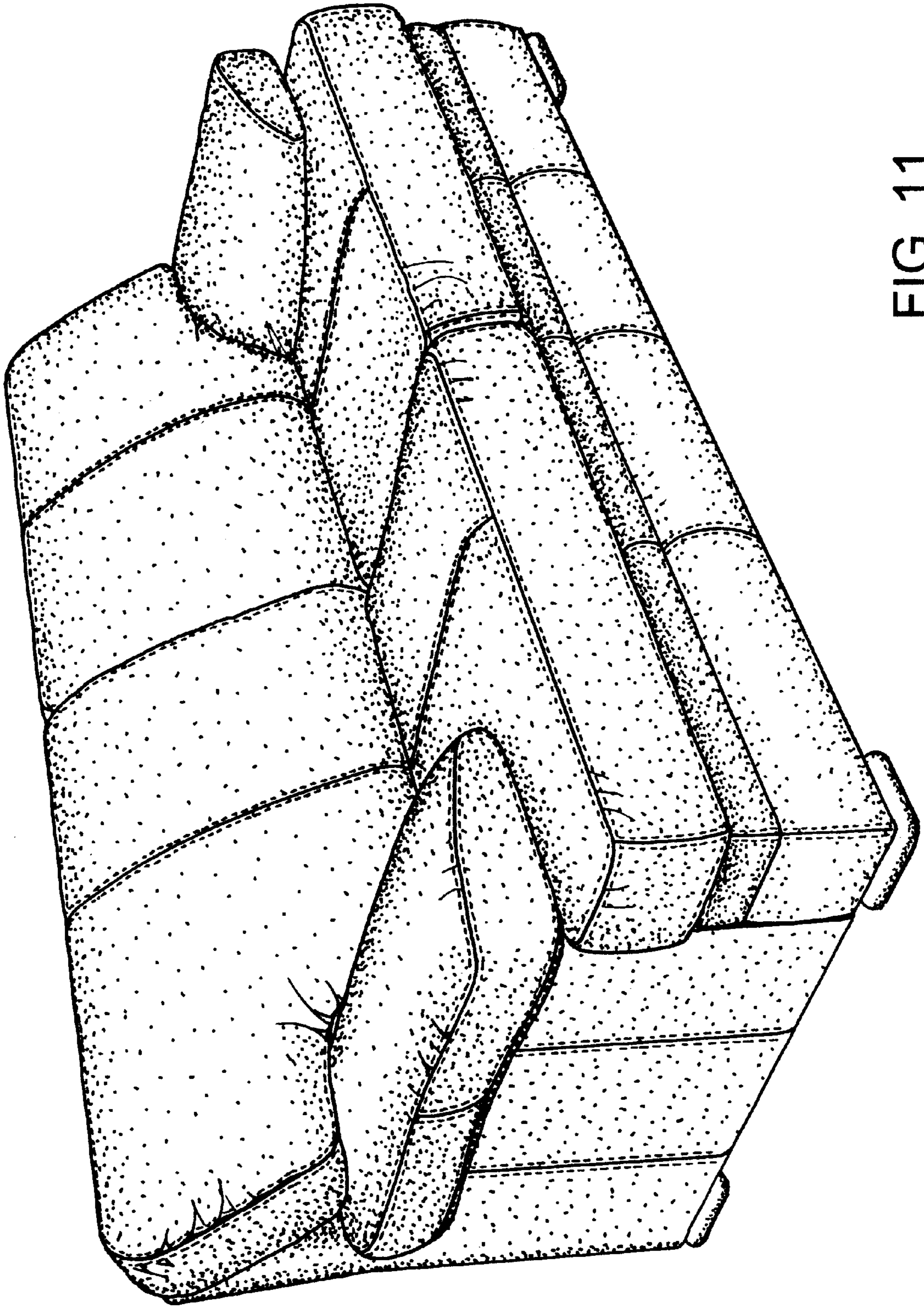


FIG. 11

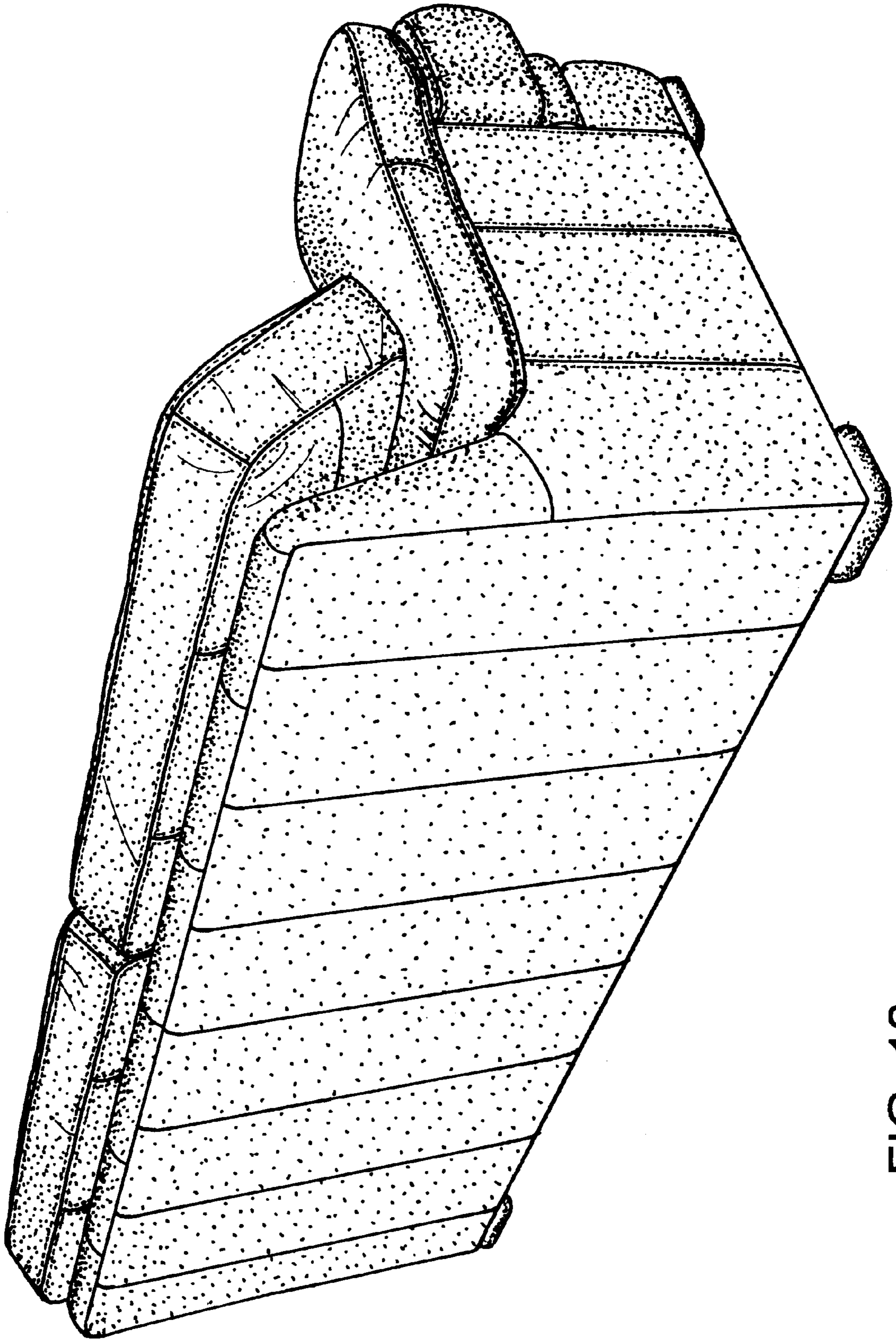


FIG. 12

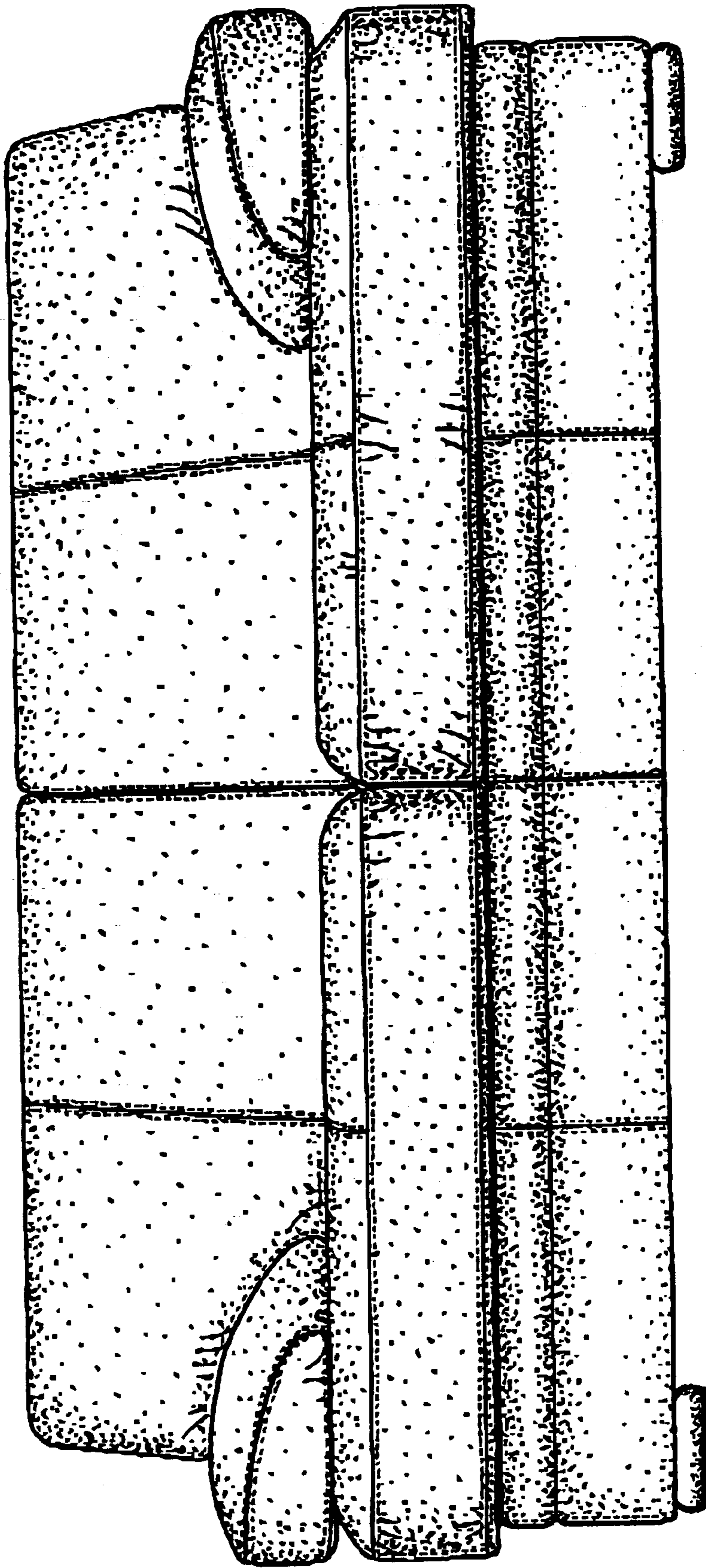


FIG. 13

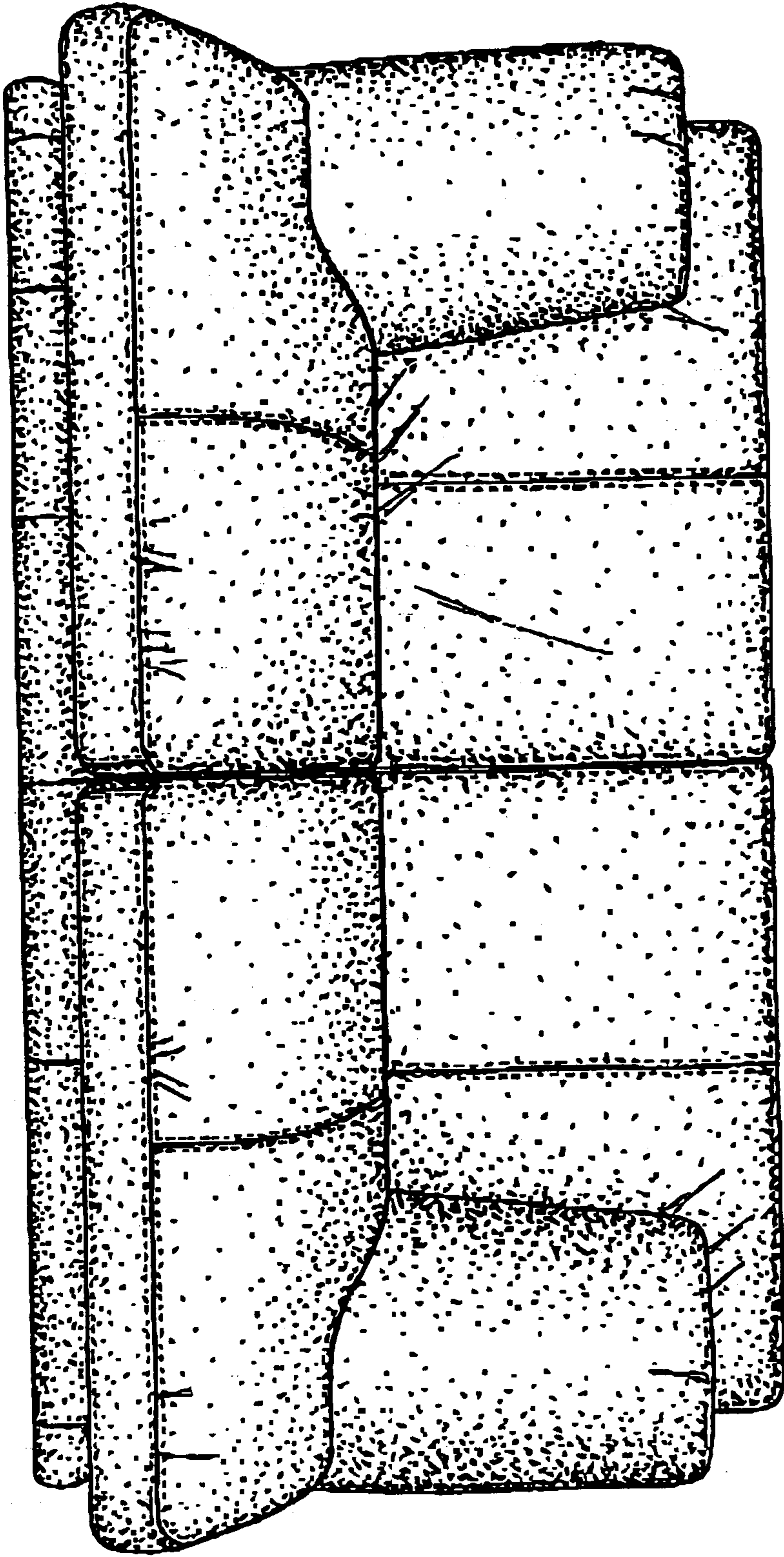


FIG. 14

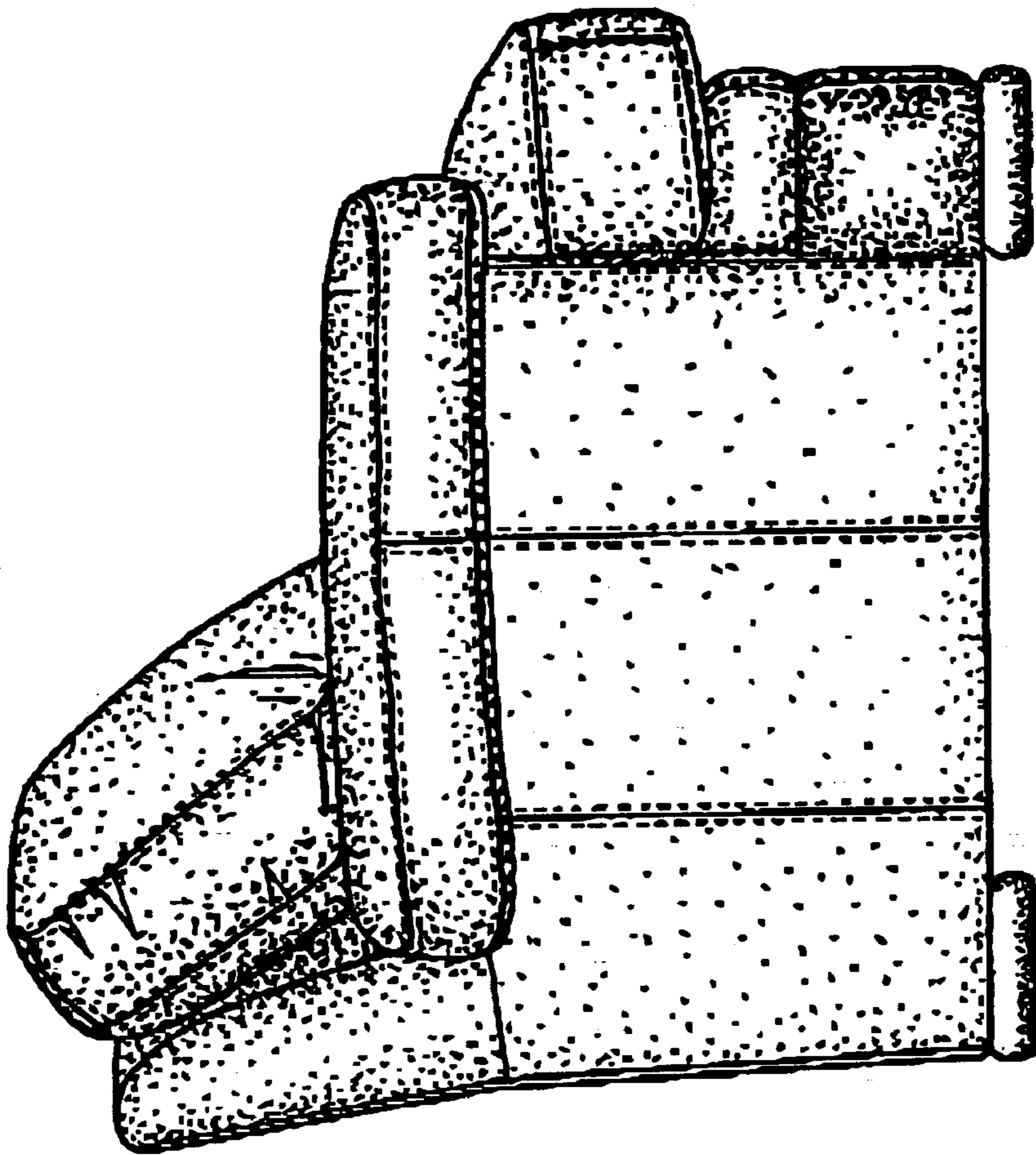


FIG. 15