

US00D430729S

United States Patent [19]

[11] **Patent Number: Des. 430,729**

Boyette et al.

[45] **Date of Patent: ** Sep. 12, 2000**

[54] **PAINT CAN CADDY**

[76] Inventors: **John W. Boyette; Faye O. Diebold,**
both of 2523 Sunnydale La., Pensacola,
Fla. 32534

[**] Term: **14 Years**

[21] Appl. No.: **29/113,590**

[22] Filed: **Nov. 8, 1999**

[51] **LOC (7) Cl. 03-01**

[52] **U.S. Cl. D3/315**

[58] **Field of Search** D3/229, 315; D32/53,
D32/53.1, 54; 248/146, 176.1; 220/632,
731, 700, 697, 698; 15/257; 206/361, 434

[56] **References Cited**

U.S. PATENT DOCUMENTS

D. 296,268	6/1988	Bozarth	D3/229
D. 300,970	5/1989	Walker	D32/54
D. 307,342	4/1990	Giallourakis	D32/53
D. 348,129	6/1994	Wolff	D32/53
D. 348,130	6/1994	Miller	D32/53
D. 368,158	3/1996	Dancyger et al.	D3/229 X
D. 389,626	1/1998	Lundy	D32/53
2,683,579	7/1954	Wallace	248/146
3,642,239	2/1972	Zeiler, Jr.	248/210
3,929,312	12/1975	Uke	248/346.1
4,206,570	6/1980	Cooper	47/71

4,765,360	8/1988	Baird	137/312
4,877,208	10/1989	Kennard, Jr.	248/146
4,890,807	1/1990	Desjardins	248/146
4,998,696	3/1991	Desjardins	248/146
5,028,023	7/1991	Allen	248/152
5,326,064	7/1994	Sapien	248/311.2
5,590,861	1/1997	Ardolino	248/146
5,759,275	6/1998	Shostak	118/504

Primary Examiner—Louis S. Zarfaz
Assistant Examiner—Catherine R. Oliver
Attorney, Agent, or Firm—Joseph N. Breaux

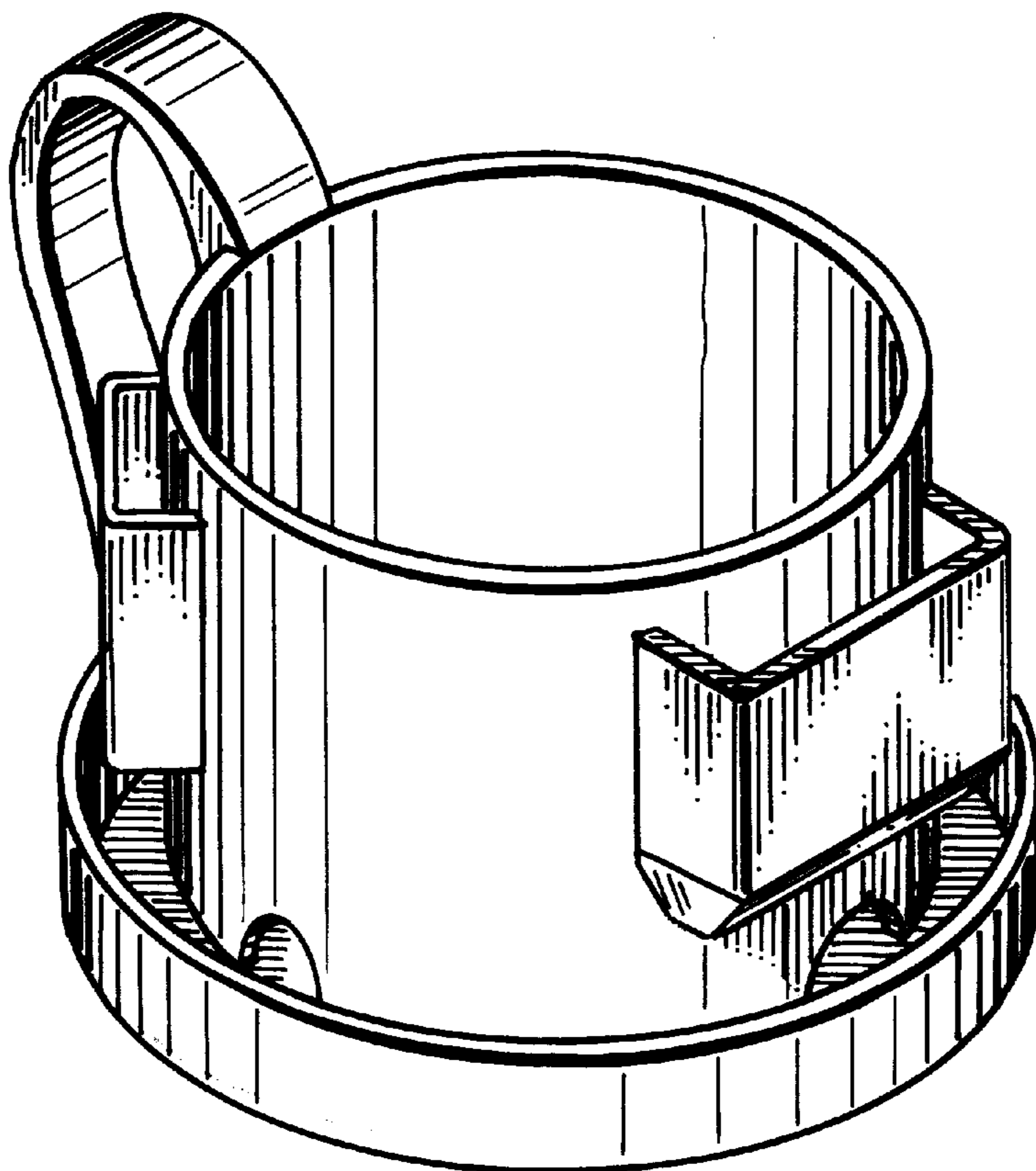
[57] **CLAIM**

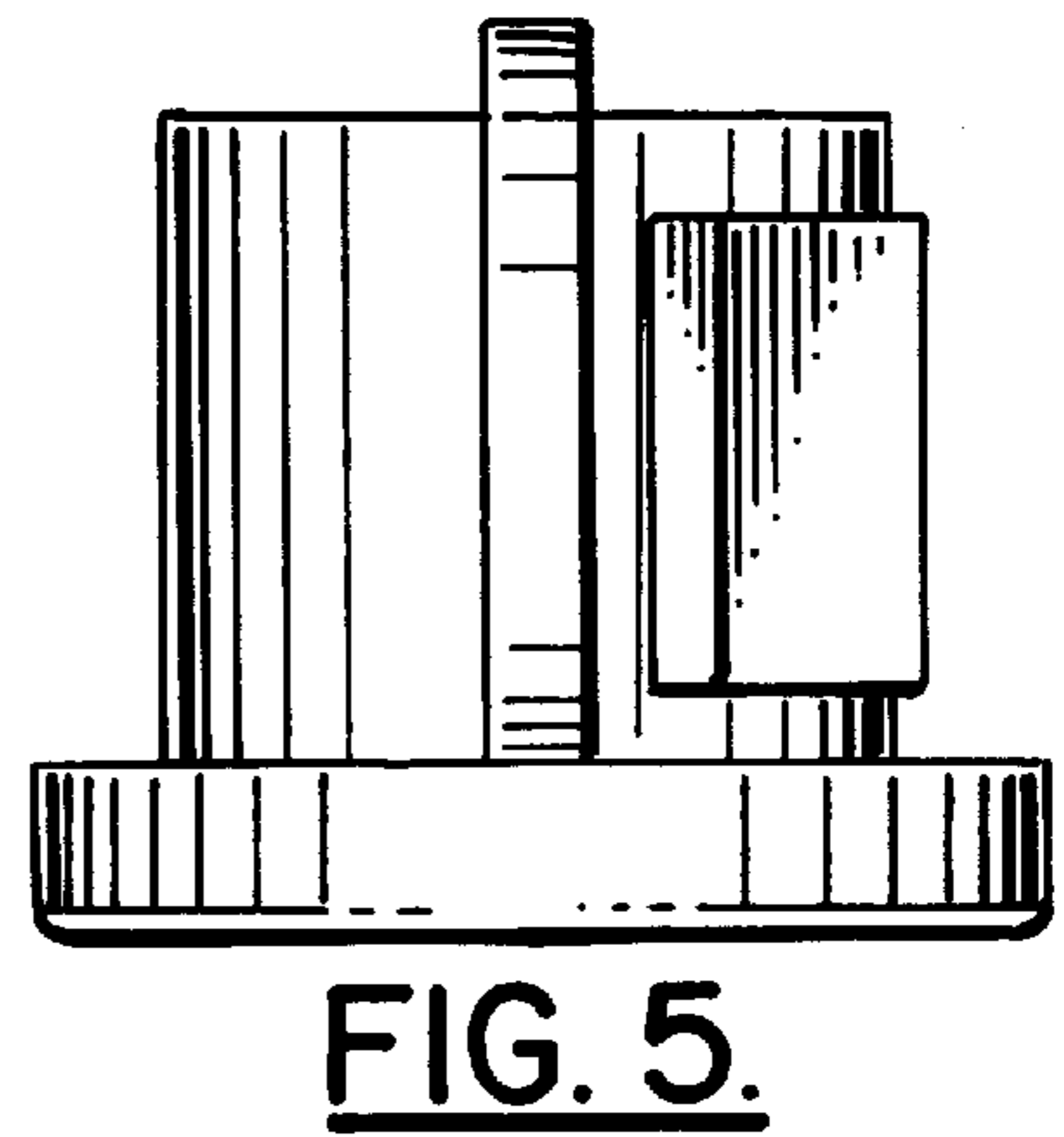
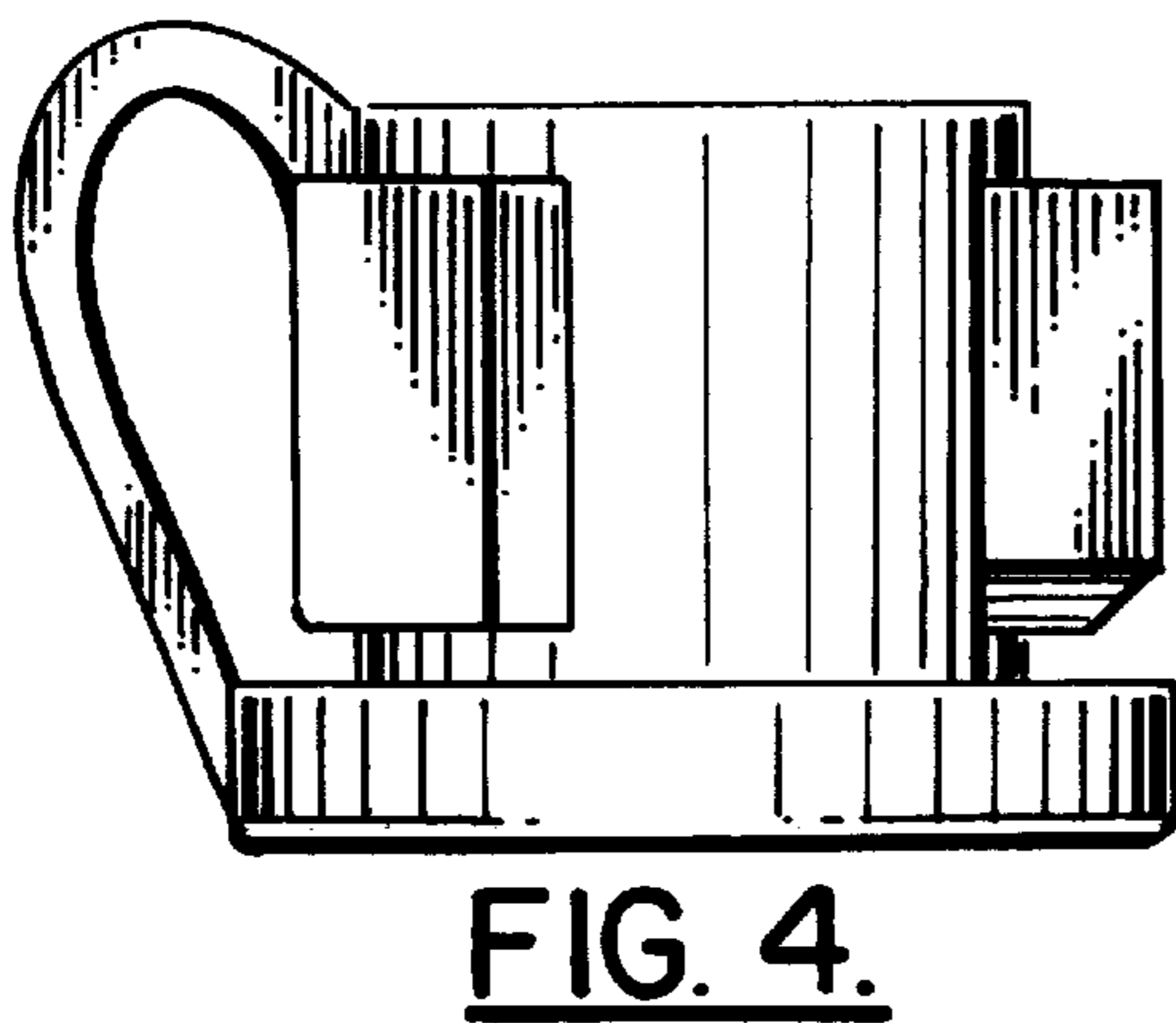
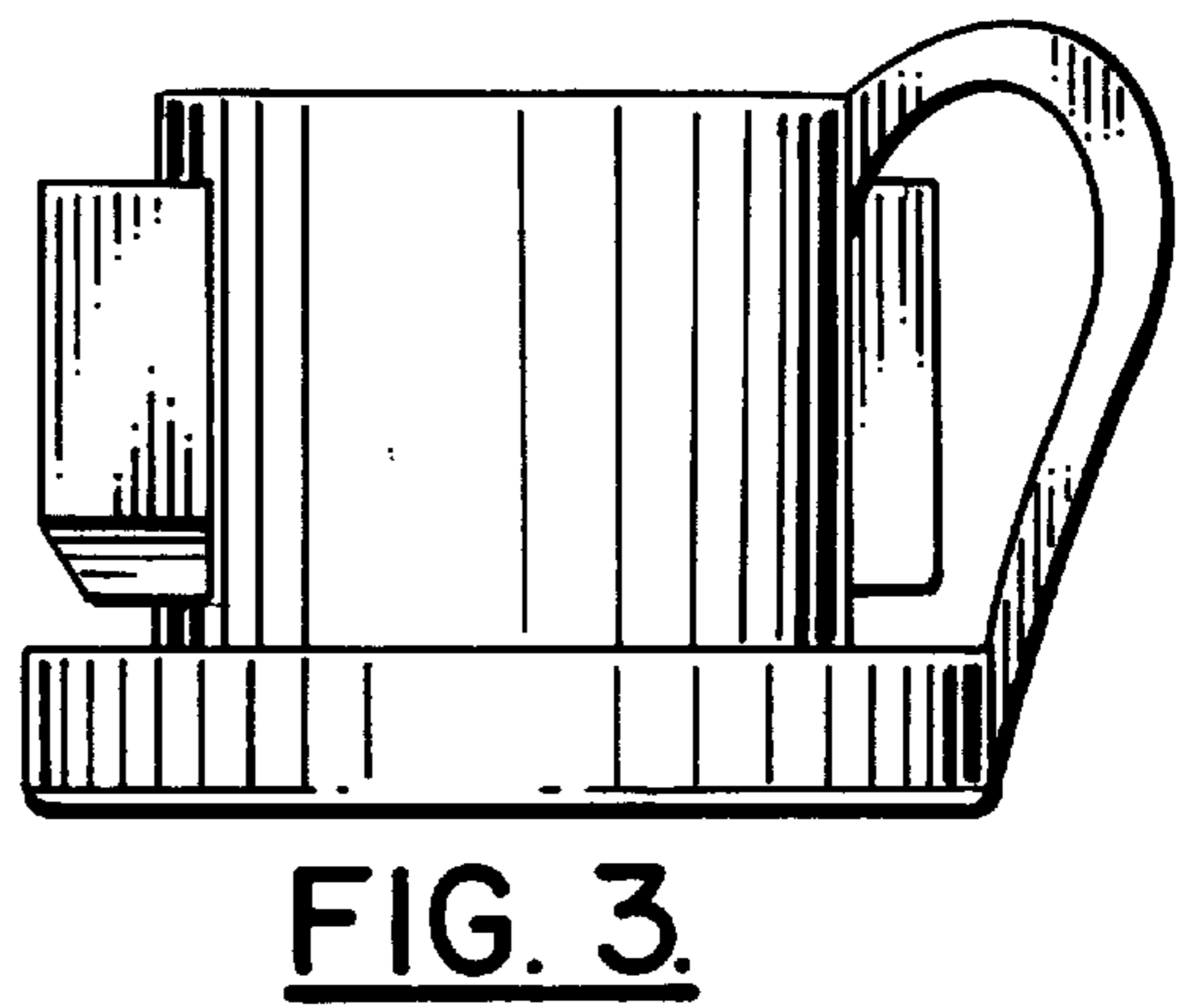
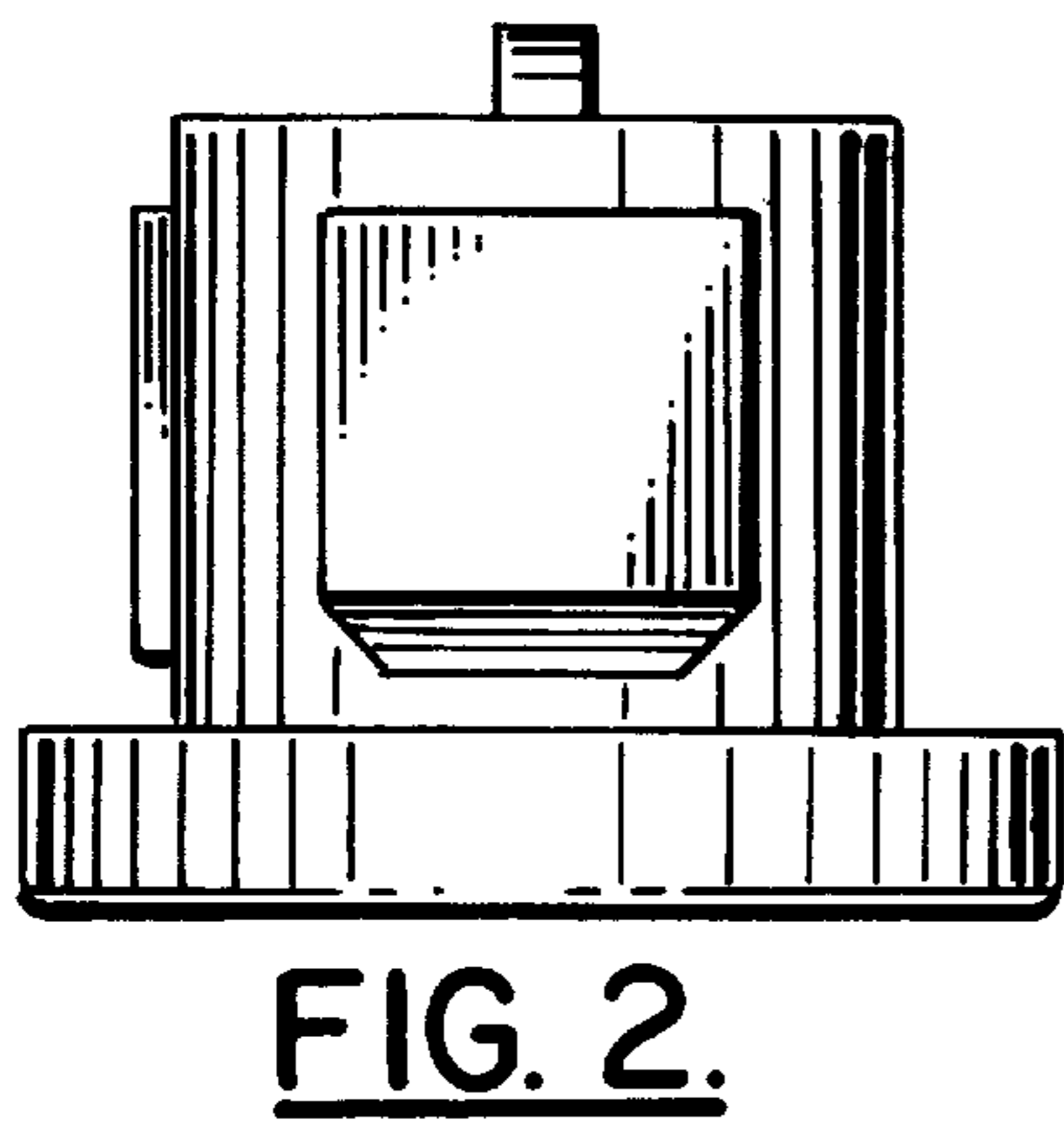
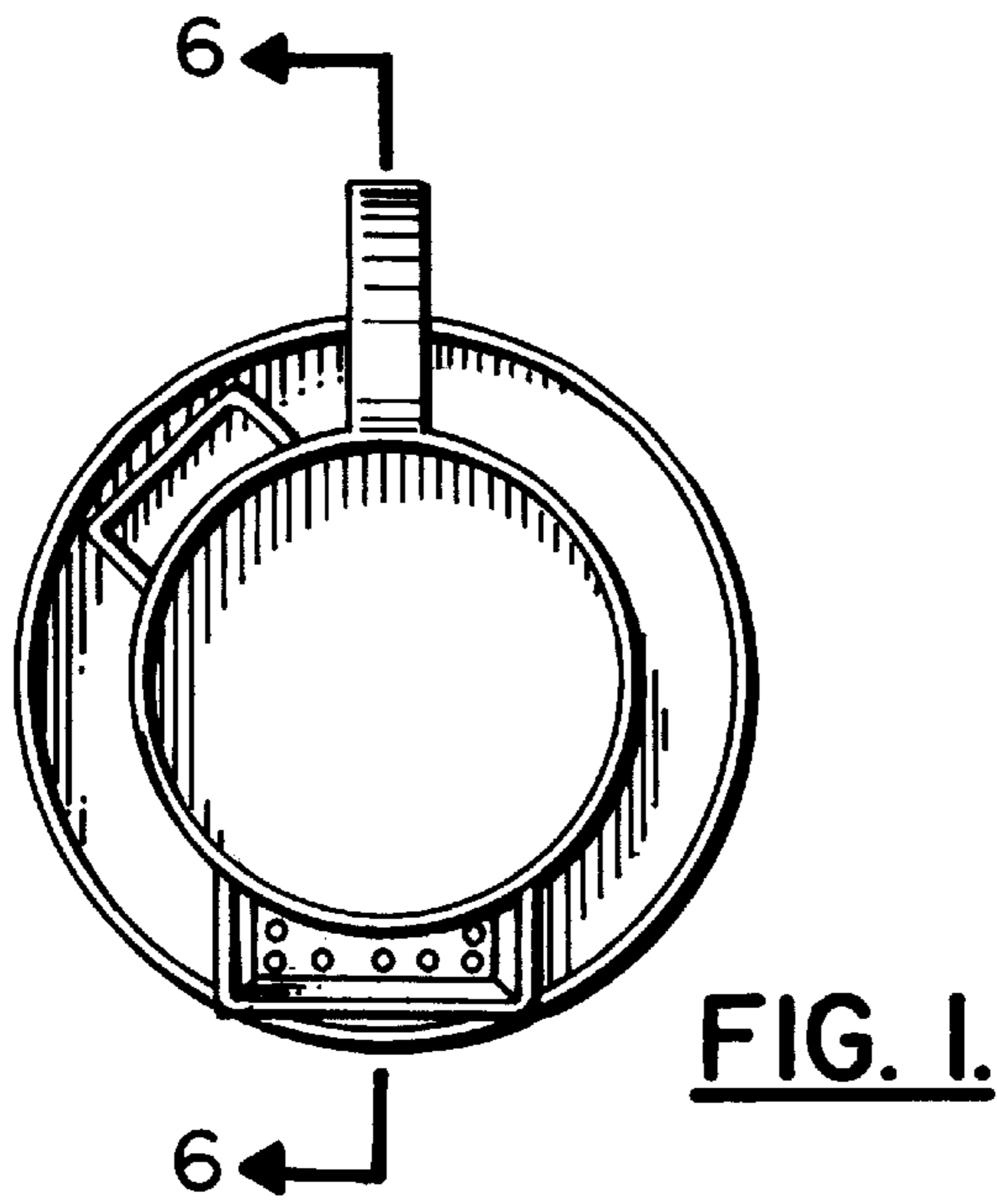
I/We claim the ornamental design for a paint can caddy, as shown.

DESCRIPTION

FIG. 1 is a top plan view of our paint can caddy showing our new design;
FIG. 2 is a front elevational view thereof;
FIG. 3 is a left side elevational view thereof;
FIG. 4 is a right side elevational view thereof;
FIG. 5 is a rear elevational view thereof;
FIG. 6 is a cross sectional view shown on line 6—6 of FIG. 1.
FIG. 7 is a bottom plan view thereof; and,
FIG. 8 is a perspective view thereof.

1 Claim, 2 Drawing Sheets





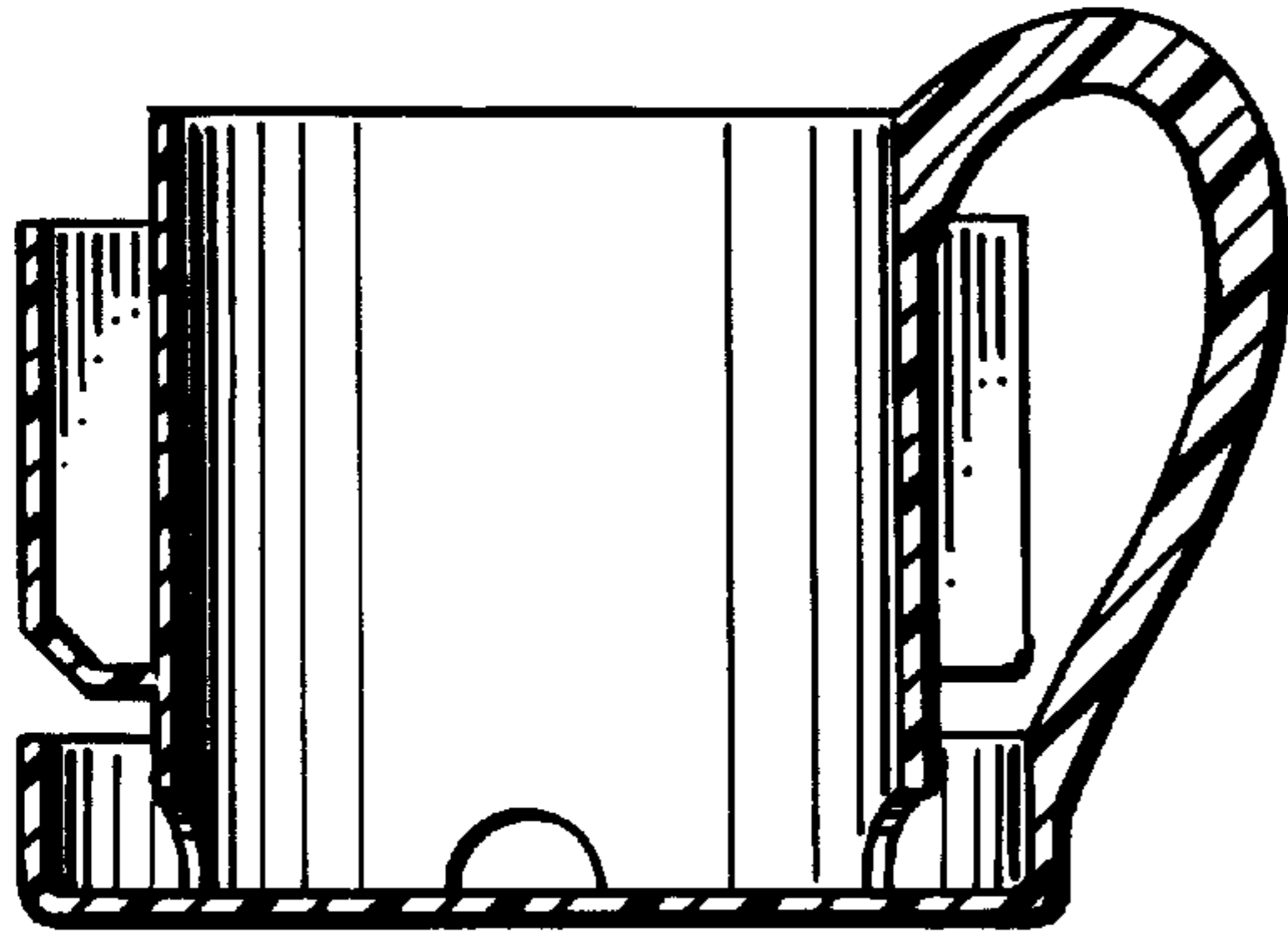


FIG. 6.

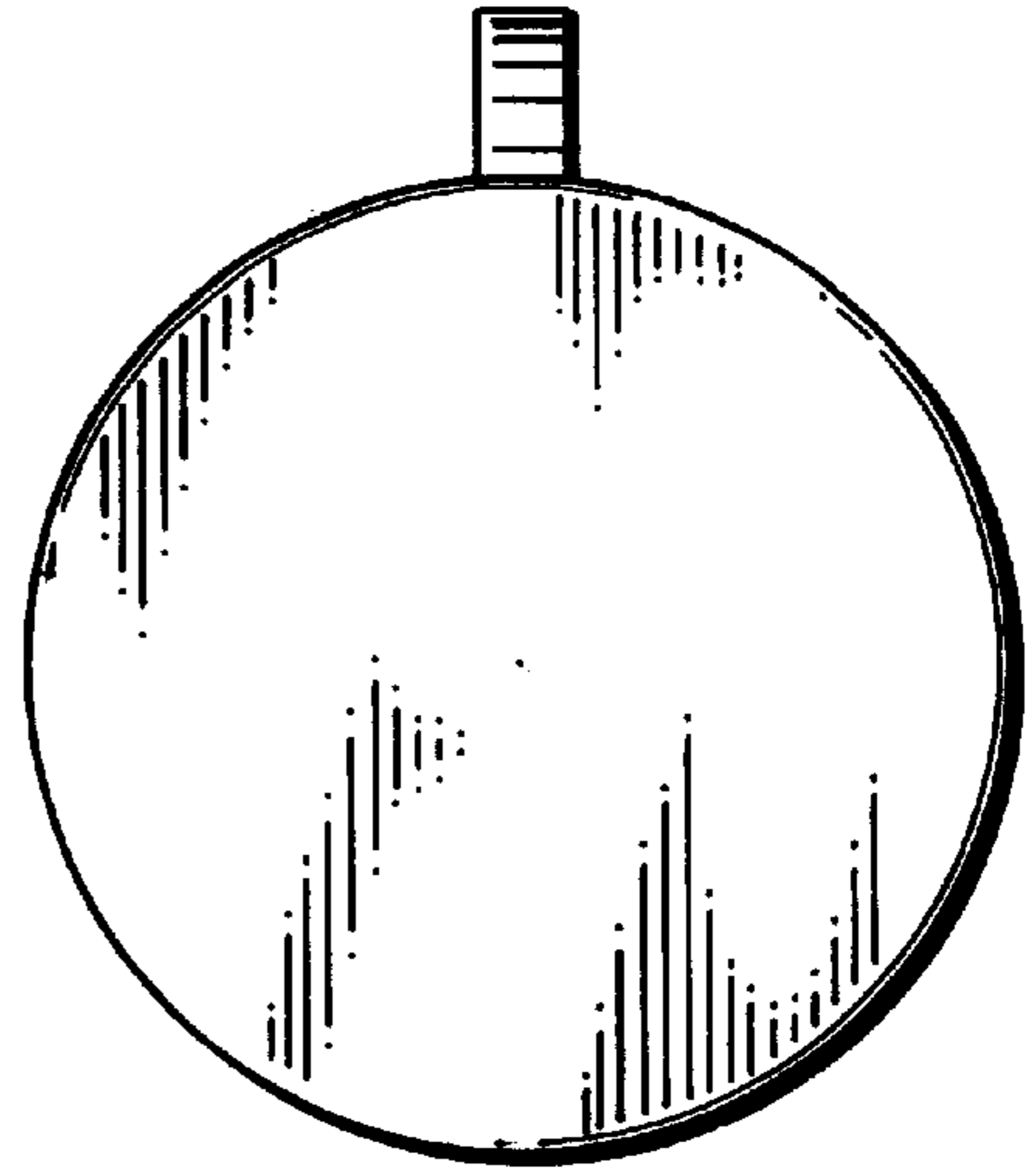


FIG. 7.

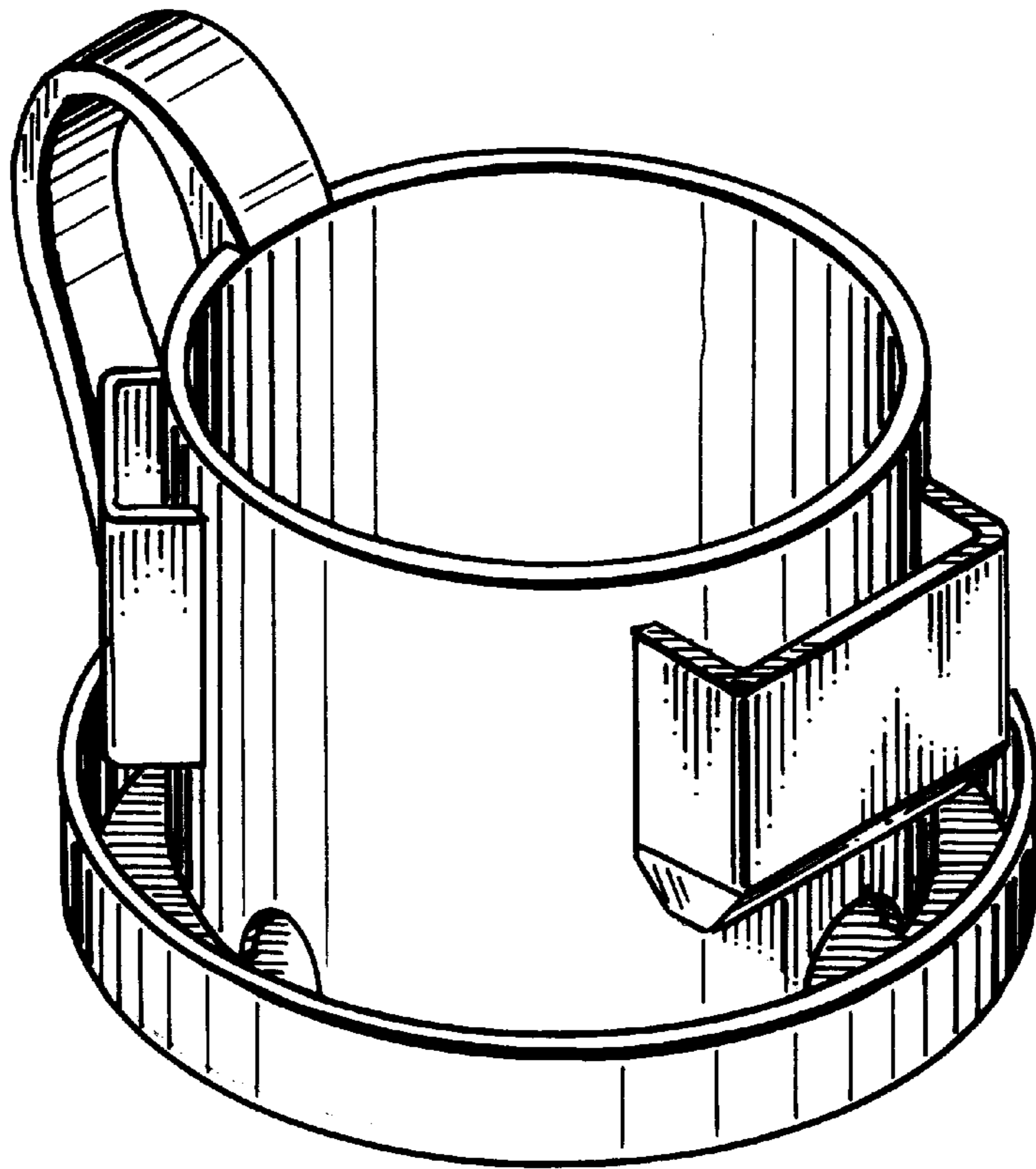


FIG. 8.