



US00D430727S

**United States Patent** [19]  
**Wisniewski**

[11] **Patent Number: Des. 430,727**  
[45] **Date of Patent: \*\* Sep. 12, 2000**

[54] **EYEGLASS CASE**

[75] Inventor: **Mark S. Wisniewski**, Blackstone, Mass.

[73] Assignee: **Justin Case, Inc.**, North Smithfield, R.I.

[\*\*] Term: **14 Years**

[21] Appl. No.: **29/109,826**

[22] Filed: **Aug. 23, 1999**

**Related U.S. Application Data**

[63] Continuation-in-part of application No. 08/972,418, Nov. 18, 1997, abandoned.

[51] **LOC (7) Cl.** ..... **03-01**

[52] **U.S. Cl.** ..... **D3/265; D3/201**

[58] **Field of Search** ..... **D3/201, 215, 219, D3/265, 266; D16/330; 206/5, 6; 224/67**

[56] **References Cited**

**U.S. PATENT DOCUMENTS**

D. 27,622	9/1897	Zoerb .	
D. 31,070	6/1899	Zoerb .	
D. 259,596	6/1981	Gray .....	D3/205
D. 262,585	1/1982	Anema .....	D3/205
D. 379,263	5/1997	Sussman .....	D3/264
D. 407,556	4/1999	Au .....	D3/265
D. 417,541	12/1999	Conway .....	D2/263
467,707	1/1892	Pruden .	
624,603	5/1899	Zoerb et al. .	
1,339,330	5/1920	Goelkel .	
2,148,637	2/1939	Oldham .	
2,187,178	1/1940	Schutz .	
2,203,402	6/1940	Bausch .	
2,332,266	10/1943	Segal .	

2,642,987	6/1953	Castelli .	
2,747,760	5/1956	Jacobson .	
2,785,797	3/1957	Rice .	
3,000,417	9/1961	Goldstein .	
5,312,029	5/1994	Tuber .....	224/67
6,026,950	2/2000	Wisniewski .....	206/6

**FOREIGN PATENT DOCUMENTS**

1174493	3/1959	France .
1736409	11/1989	Russian Federation .
180123	5/1922	United Kingdom .

*Primary Examiner*—Celia Murphy  
*Attorney, Agent, or Firm*—Salter & Michaelson

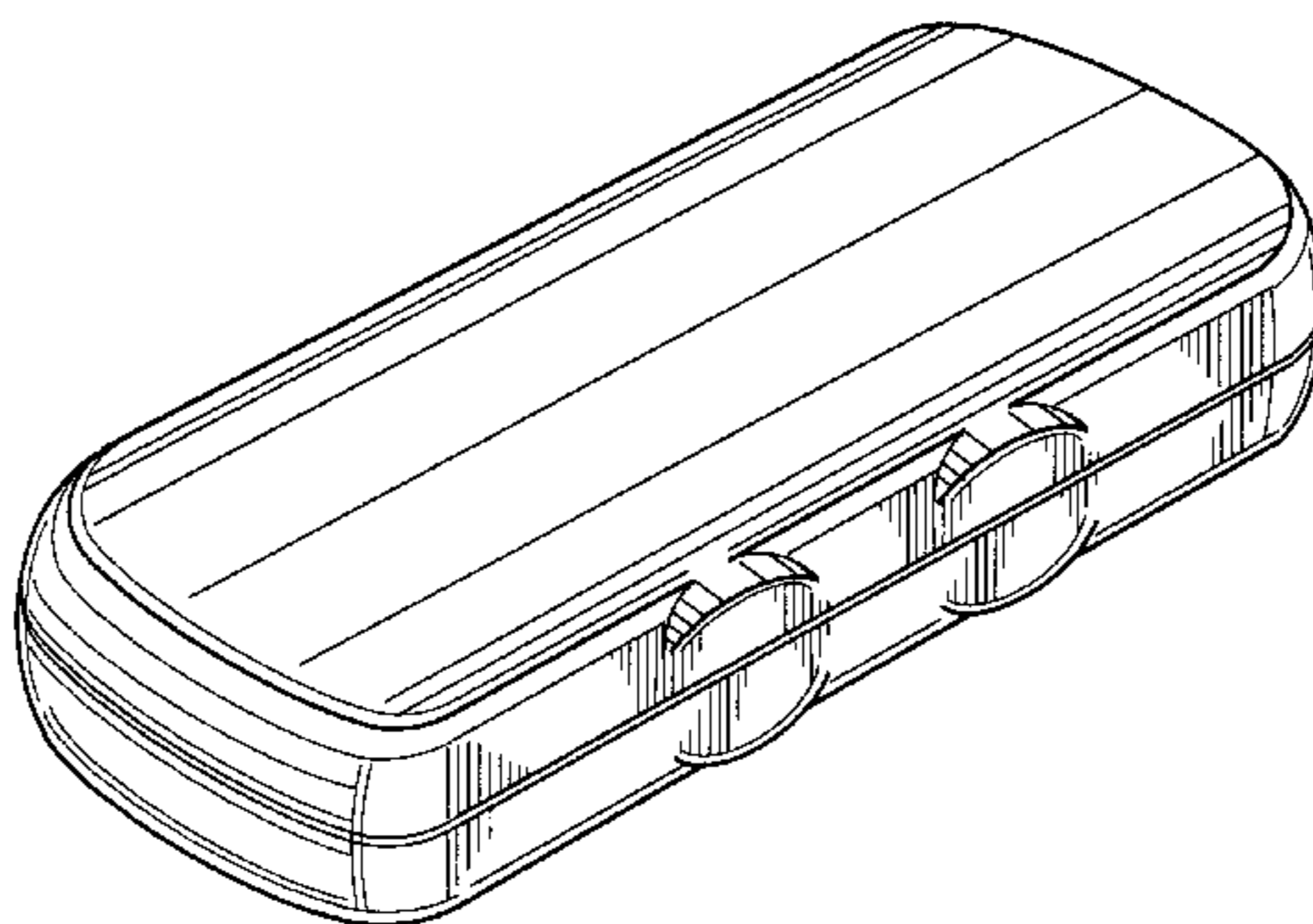
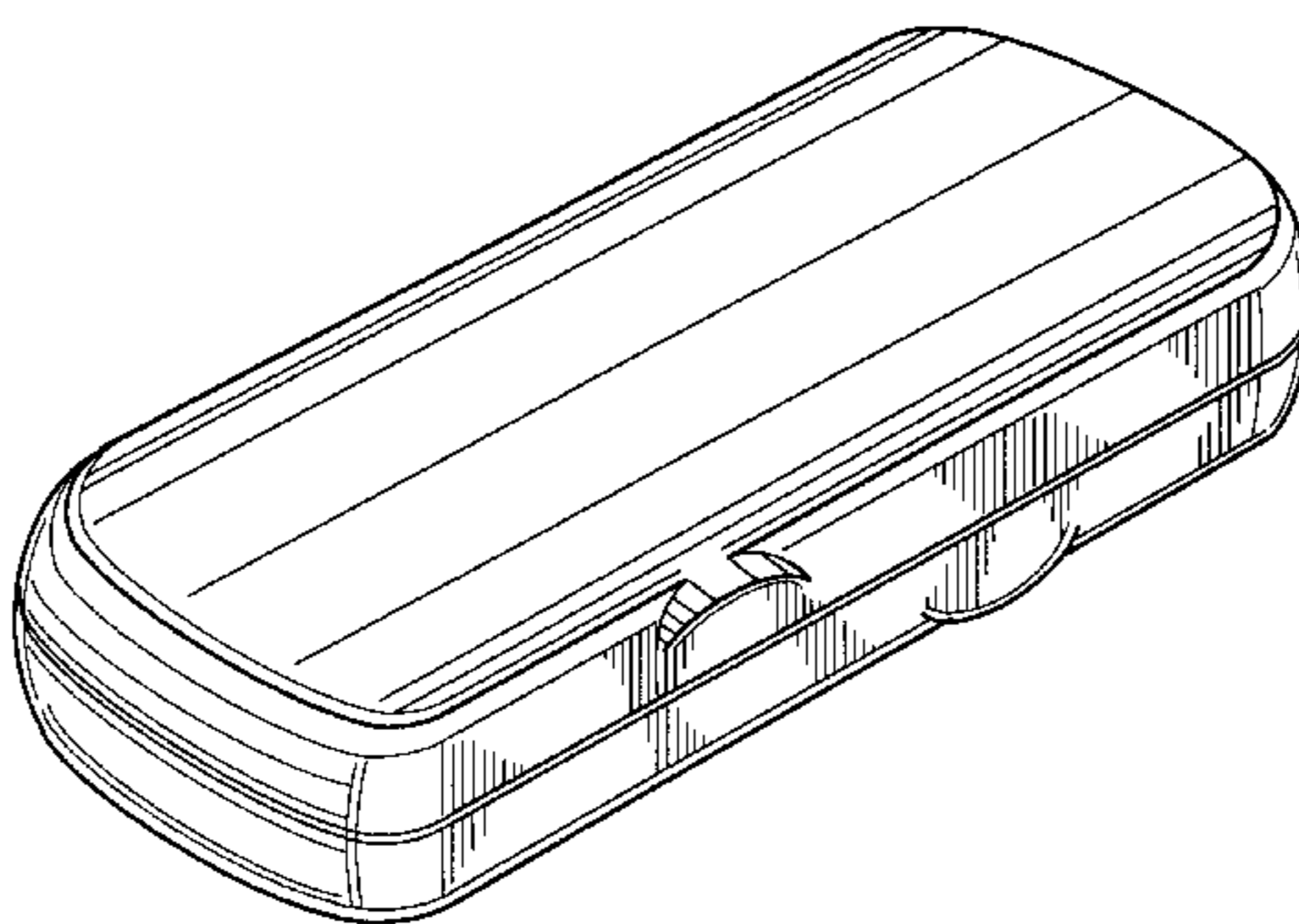
[57] **CLAIM**

The ornamental design for an eyeglass case, as shown and described.

**DESCRIPTION**

FIG. 1 is a perspective view of an eyeglass case showing my new design;  
FIG. 2 is a left side elevational view thereof, the right side being a mirror image;  
FIG. 3 is a front elevational view thereof;  
FIG. 4 is a rear elevational view thereof;  
FIG. 5 is a top plan view thereof;  
FIG. 6 is a bottom plan view thereof;  
FIG. 7 is a perspective view of an alternate embodiment of the design shown in FIG. 1;  
FIG. 8 is a left side elevational view of FIG. 7, the right side being a mirror image;  
FIG. 9 is a front elevational view of FIG. 7;  
FIG. 10 is a rear elevational view of FIG. 7;  
FIG. 11 is a top plan view of FIG. 7; and,  
FIG. 12 is a bottom plan view of FIG. 7.

**1 Claim, 8 Drawing Sheets**



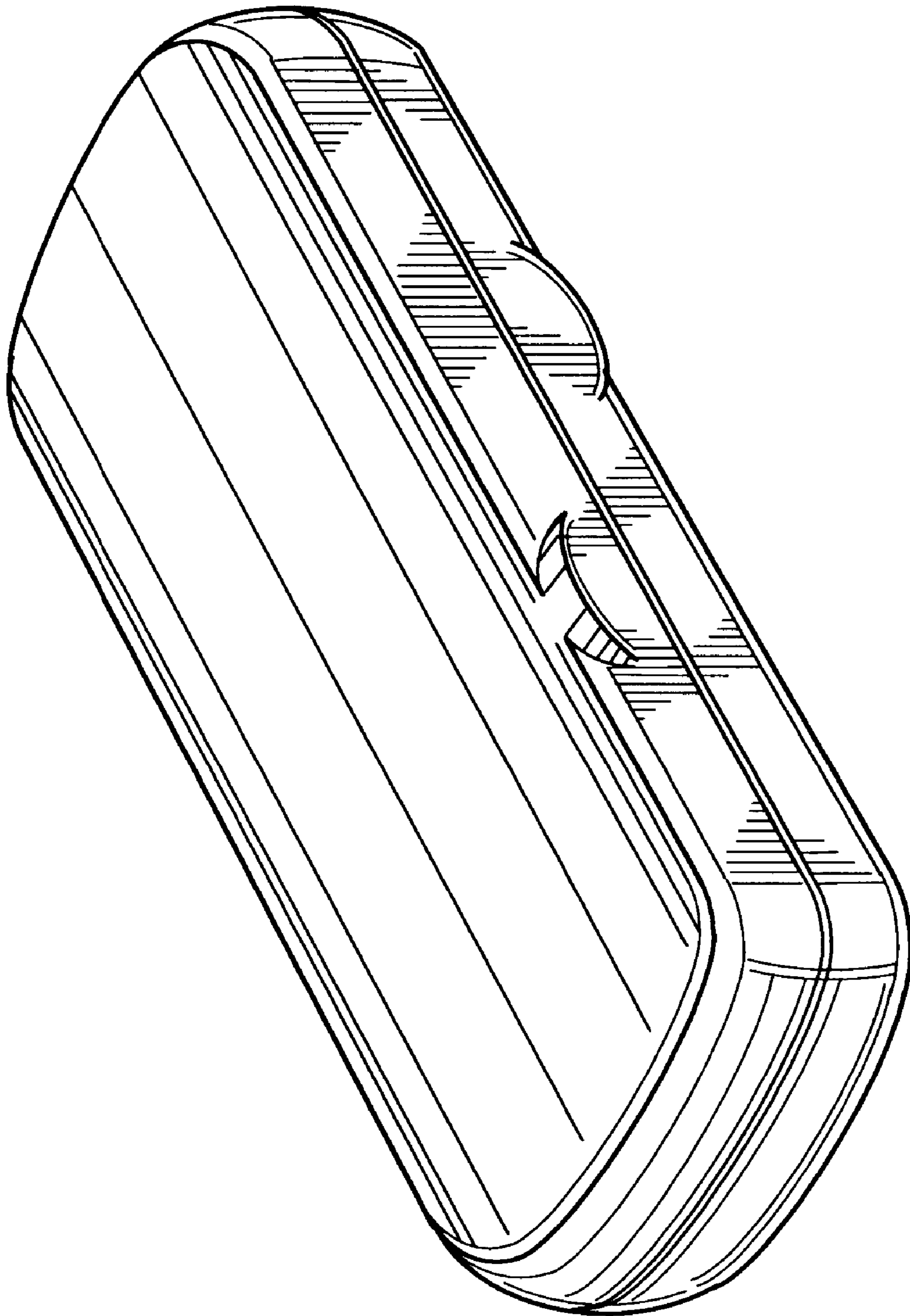


FIG. 1

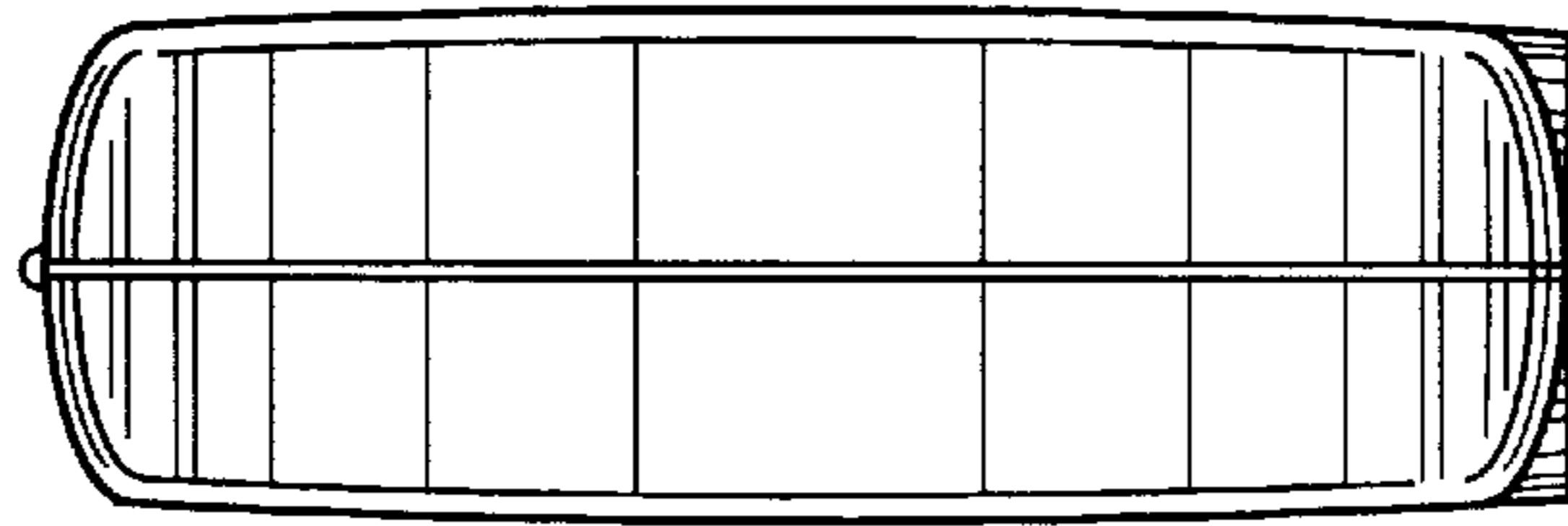


FIG. 2

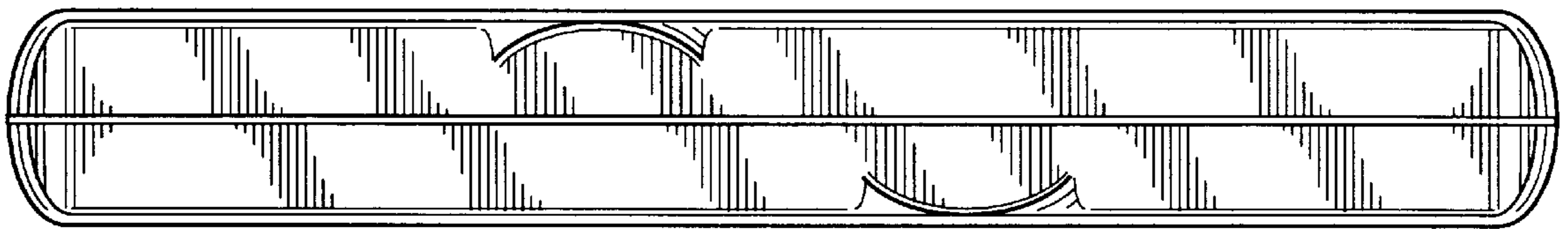


FIG. 3

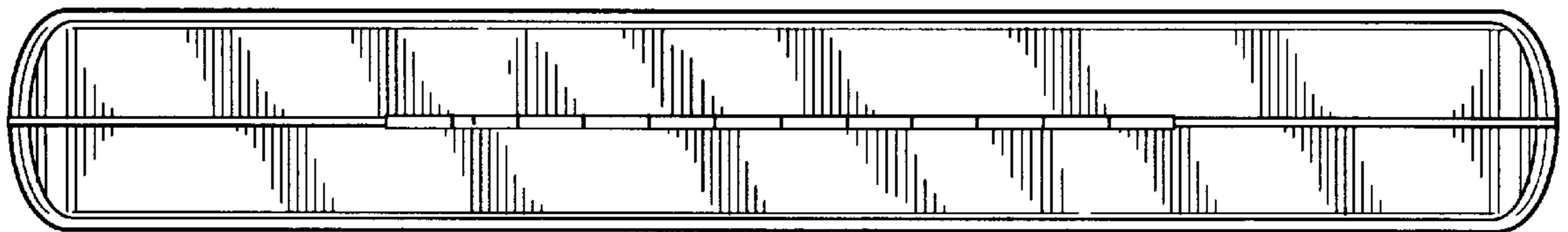


FIG. 4

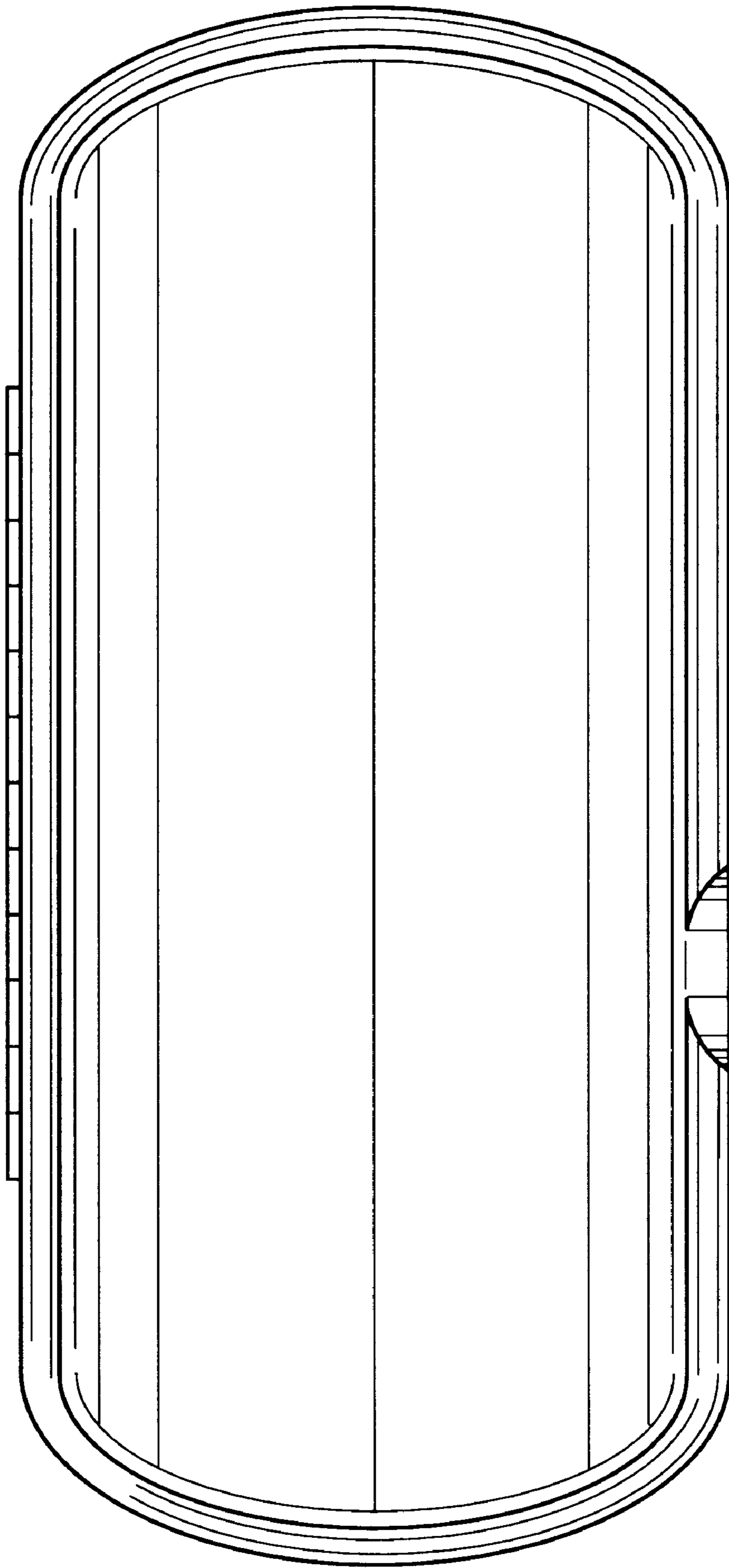


FIG. 5

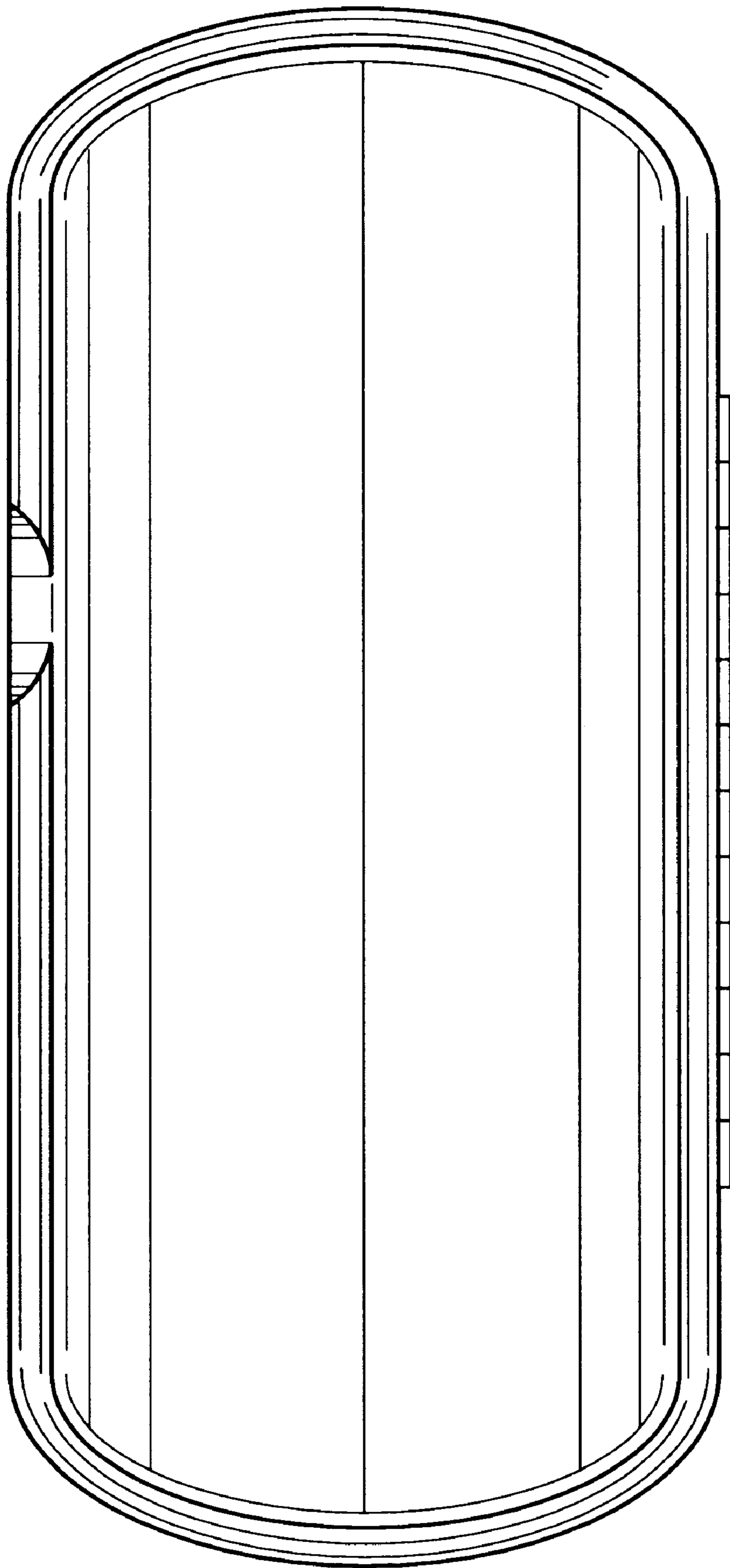


FIG. 6

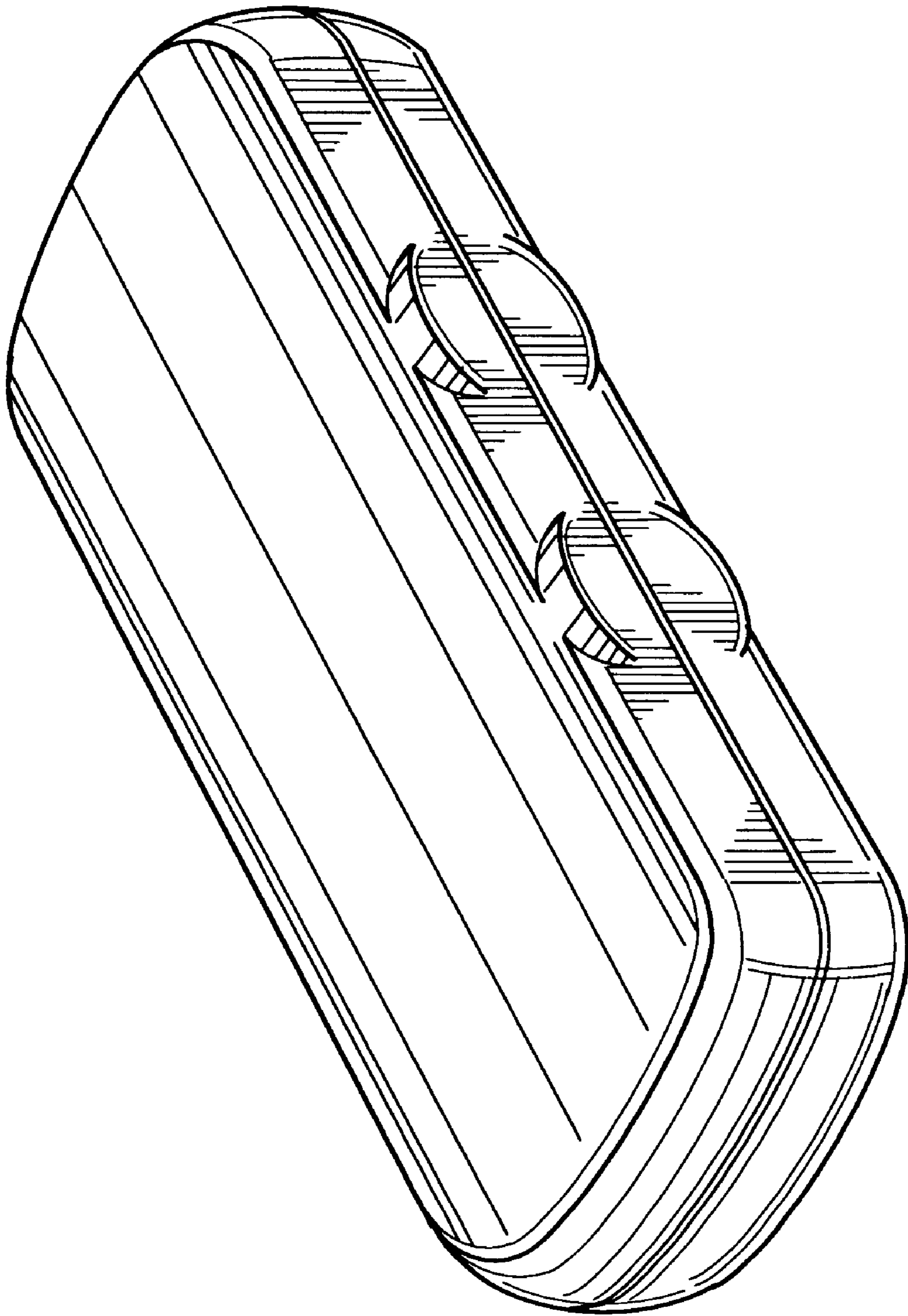


FIG. 7

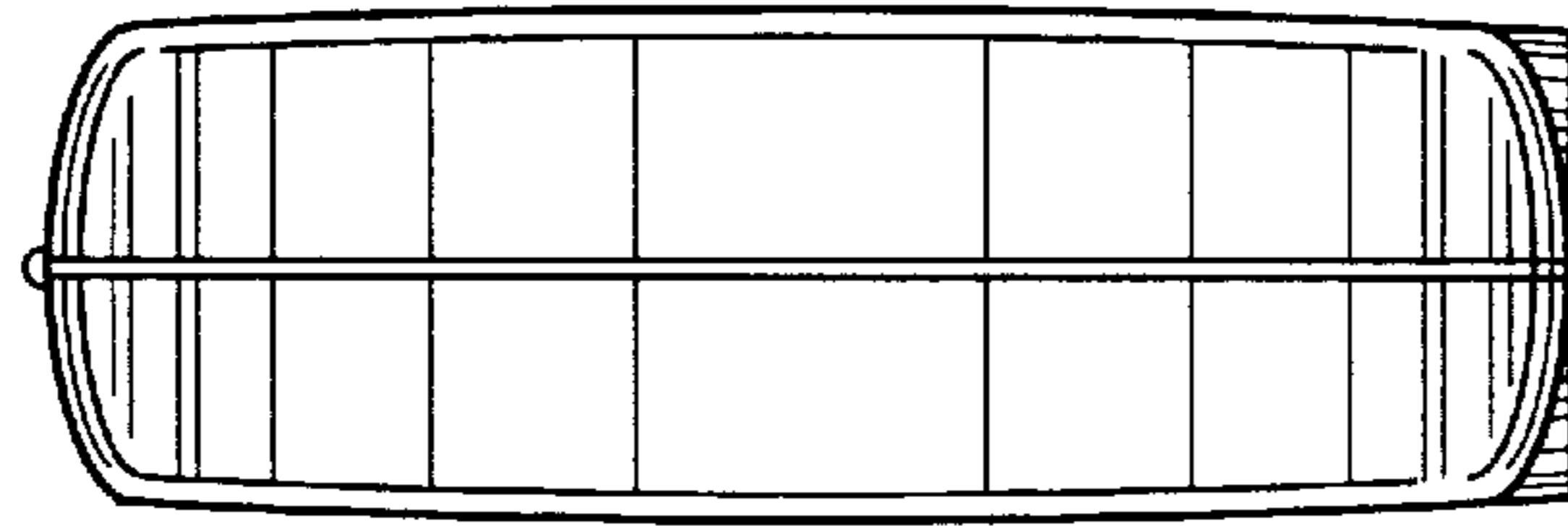


FIG. 8

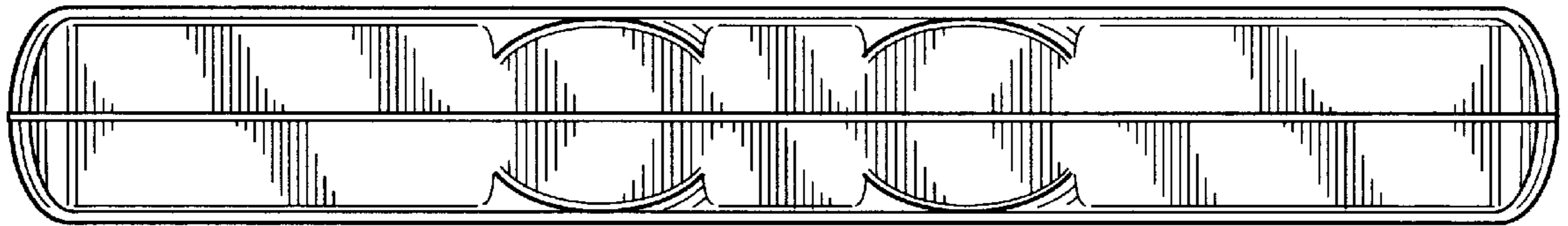


FIG. 9

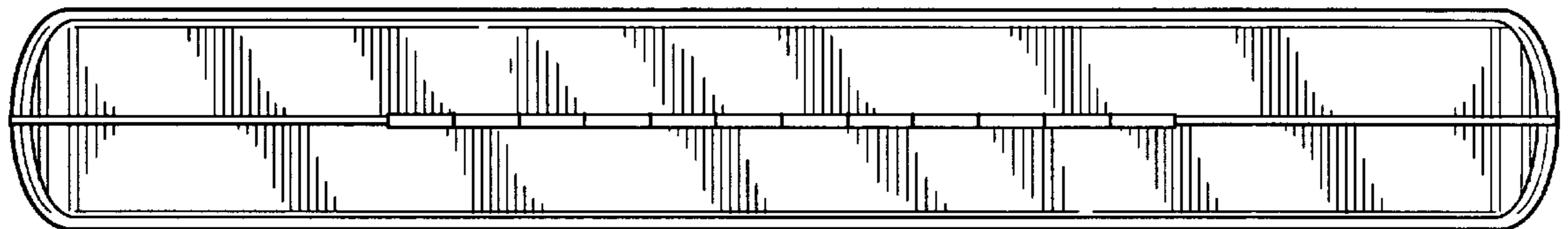


FIG. 10

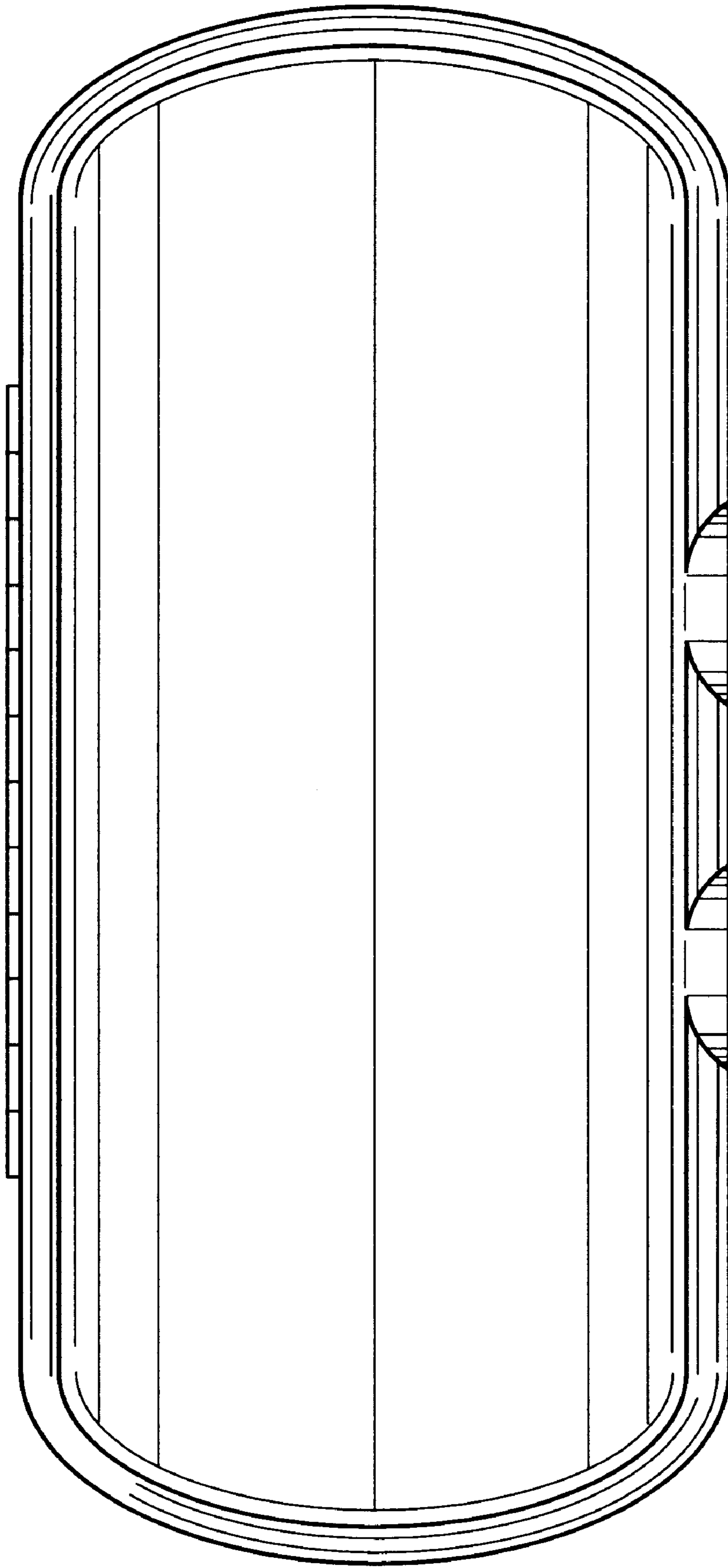


FIG. 11



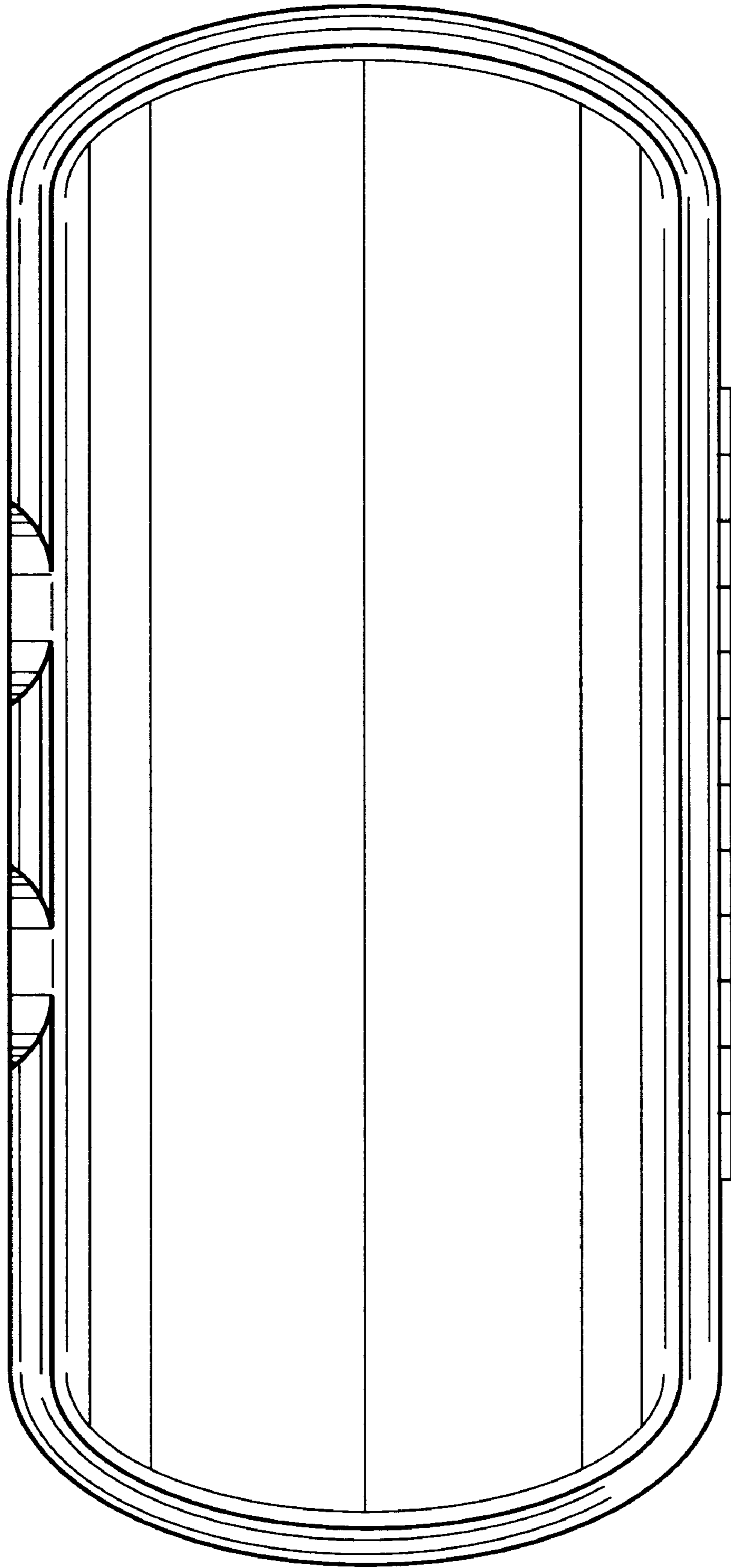


FIG. 12