



US00D430726S

United States Patent [19] Burbrink

[11] Patent Number: Des. 430,726

[45] Date of Patent: ** Sep. 12, 2000

[54] UMBRELLA HANDLE WITH FLASHLIGHT

[75] Inventor: David E. Burbrink, Coldspring, Ky.

[73] Assignee: totes Isotoner Corporation, Cincinnati, Ohio

[**] Term: 14 Years

[21] Appl. No.: 29/101,098

[22] Filed: Feb. 25, 1999

[51] LOC (7) Cl. 03-03

[52] U.S. Cl. D3/13; D26/38

[58] Field of Search D3/13, 12, 14;
D26/37, 38, 44, 46, 49; 135/15.1, 16, 910;
362/102, 157, 158

[56] **References Cited**

U.S. PATENT DOCUMENTS

- D. 48,512 2/1916 Glowacki .
- D. 48,633 2/1916 Glowacki .
- D. 48,634 2/1916 Glowacki .
- D. 56,737 12/1920 Chmielewski .
- D. 96,050 6/1935 Osterman .
- D. 96,051 6/1935 Osterman .
- D. 140,335 2/1945 Chapman D26/37
- D. 168,752 2/1953 Miller .
- D. 272,676 2/1984 MacDonald .
- D. 294,868 3/1988 Sim .
- D. 314,664 2/1991 Bonanno .
- D. 327,166 6/1992 Barker .
- D. 336,361 6/1993 Stanwood et al. .
- D. 353,041 12/1994 Stenberg .
- D. 388,201 12/1997 Zurwelle D26/37
- D. 404,154 1/1999 Breit D26/37
- D. 404,156 1/1999 Headley et al. D26/38
- D. 410,328 6/1999 Alajajian et al. D3/13
- 1,079,088 11/1913 Wysocki .
- 1,723,780 8/1929 Hayhoe .
- 2,478,325 8/1949 Russell .
- 2,734,124 2/1956 Funk .
- 2,966,578 12/1960 Coffey .
- 3,281,586 10/1966 Gonzalez .
- 4,788,995 12/1988 Rushing .
- 4,837,666 6/1989 Conkle .
- 4,867,187 9/1989 Divine .

- 4,872,468 10/1989 Cole .
- 4,881,154 11/1989 Tseng et al. .
- 4,989,123 1/1991 Best .
- 5,280,799 1/1994 Alajajian .
- 5,469,343 11/1995 Speck .
- 5,493,480 2/1996 Huang .
- 5,707,135 1/1998 Miller, Jr. .

FOREIGN PATENT DOCUMENTS

- 23332 9/1911 United Kingdom .
- 2224931 5/1990 United Kingdom .

OTHER PUBLICATIONS

Fu Tai, *Fog Light Flashlight Umbrella*, sales brochure, date unknown.

Primary Examiner—Louis Zarfaz
Assistant Examiner—Catherine R. Oliver
Attorney, Agent, or Firm—Wood, Herron & Evans

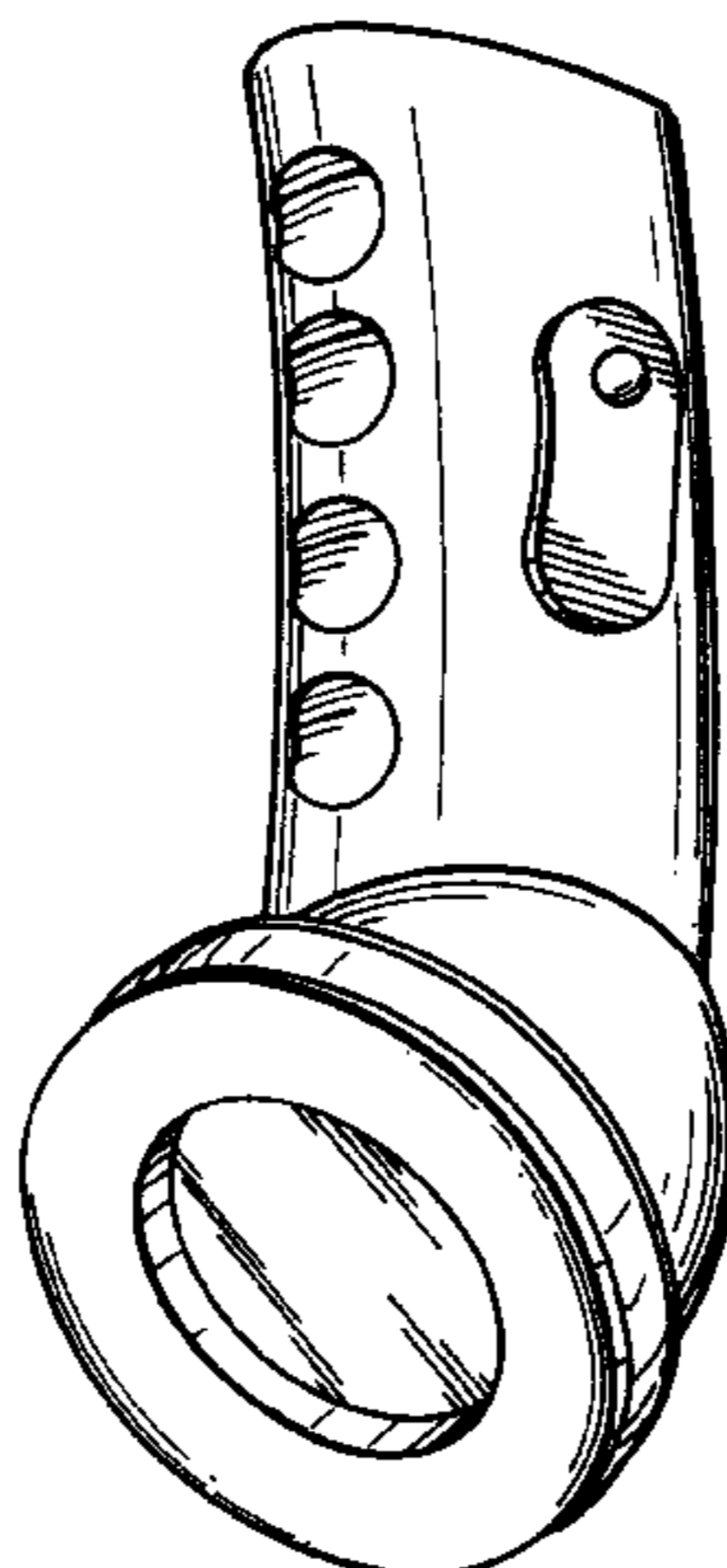
[57] **CLAIM**

The ornamental design for an umbrella handle with flashlight, as shown and described.

DESCRIPTION

FIG. 1 is a perspective view of an umbrella handle showing my new design; FIG. 2 is a right side view thereof; FIG. 3 is a left side view thereof; FIG. 4 is a front view thereof; FIG. 5 is a rear view thereof; FIG. 6 is a top view thereof; and FIG. 7 is a bottom plan view thereof. FIG. 8 is a perspective view of an alternative embodiment of the umbrella handle design; FIG. 9 is a right side view of the alternative embodiment; FIG. 10 is a left side view of the alternative embodiment; FIG. 11 is a front view of the alternative embodiment; FIG. 12 is a rear view of the alternative embodiment; FIG. 13 is a top view of the alternative embodiment; and, FIG. 14 is a bottom plan view of the alternative embodiment. The strap shown broken away in FIGS. 8–14 to indicate indeterminate length.

1 Claim, 3 Drawing Sheets



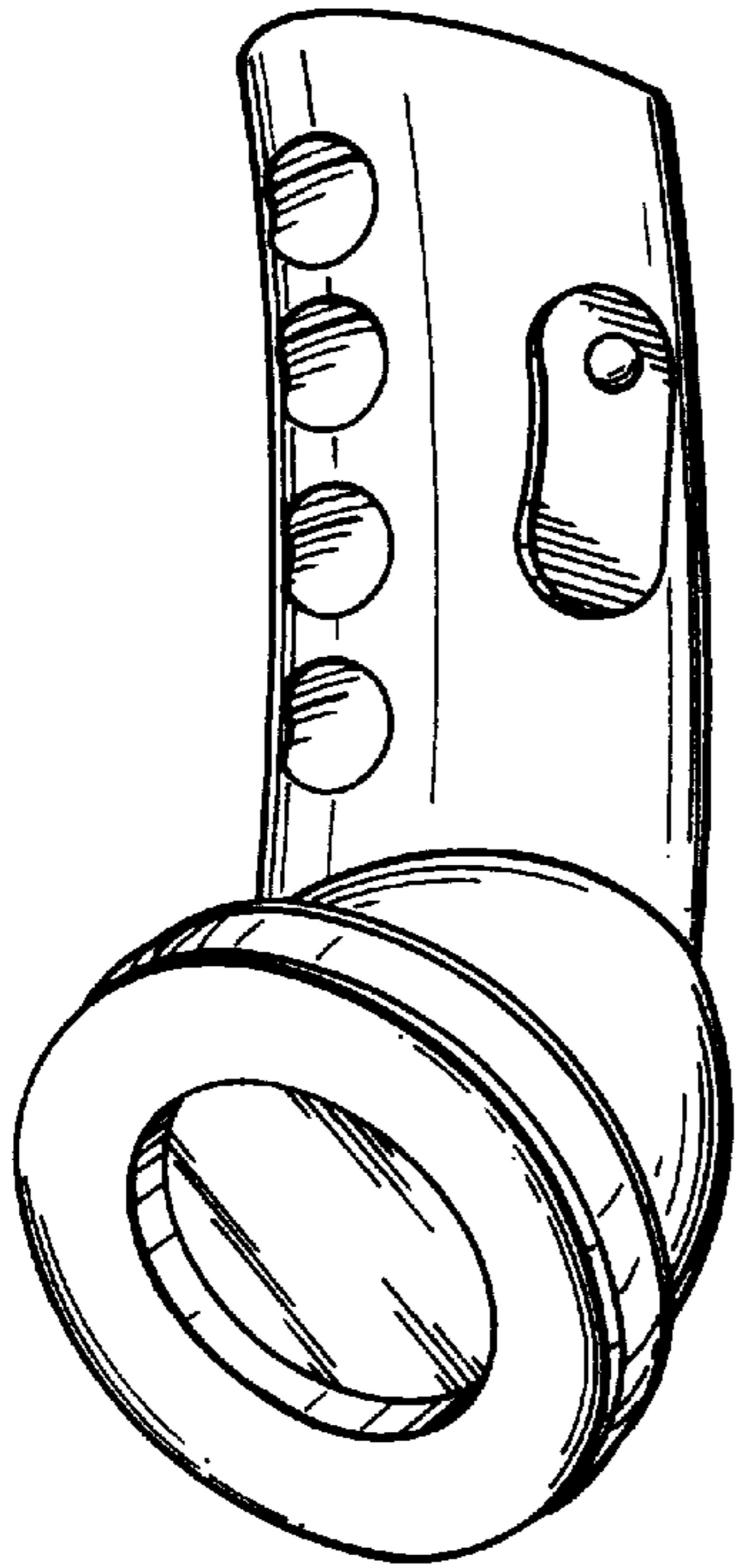


FIG.1

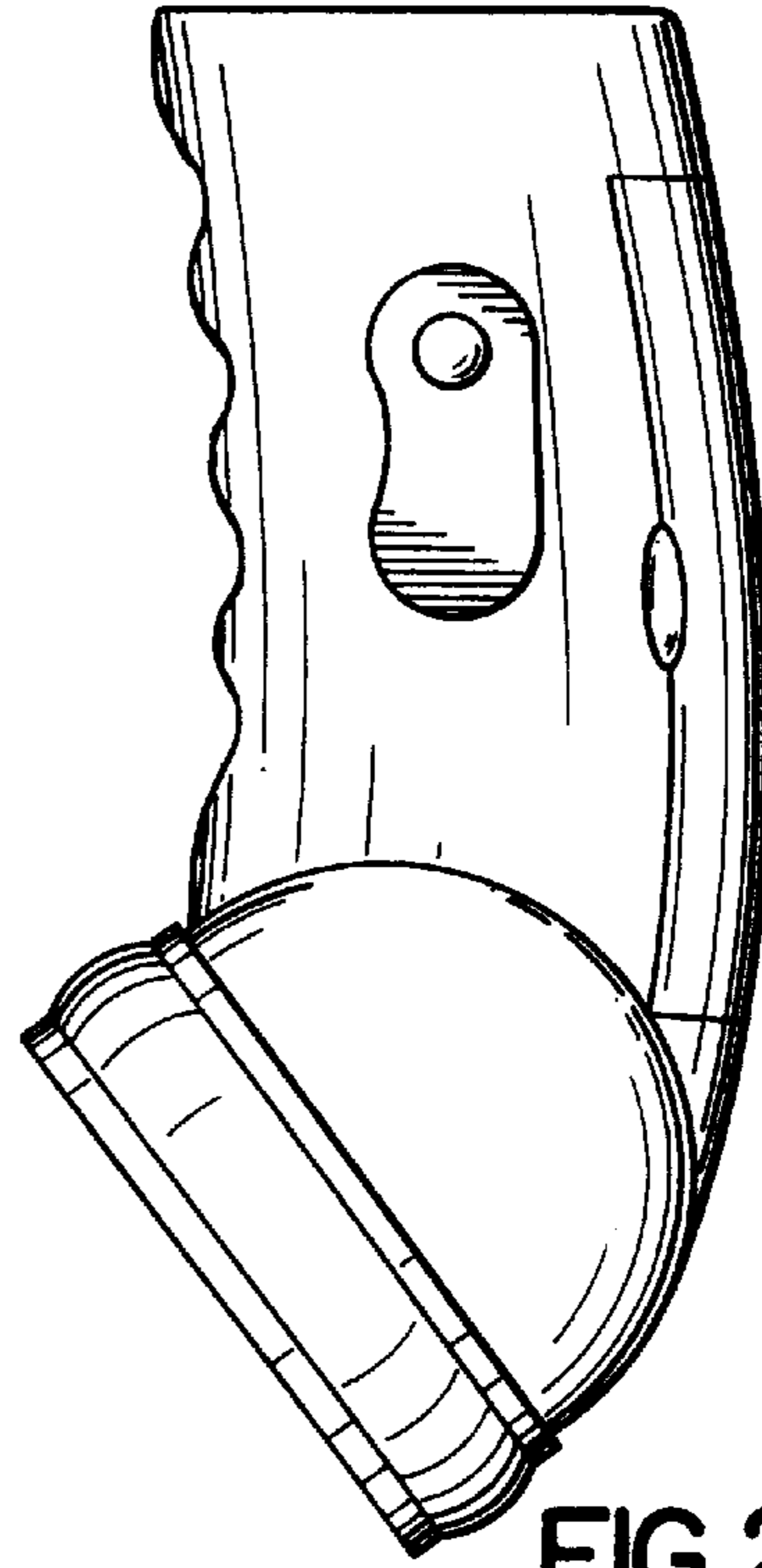


FIG.2

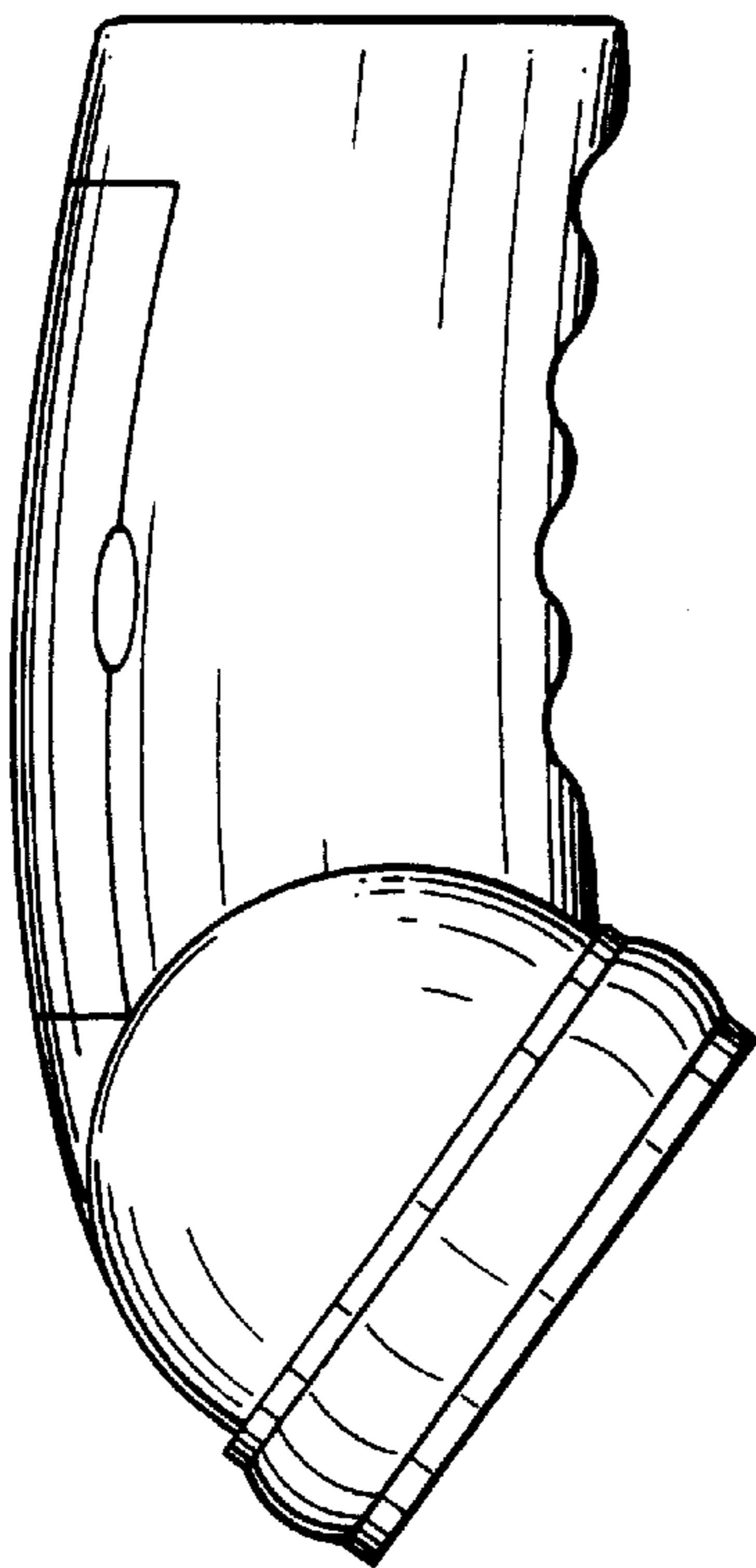


FIG.3

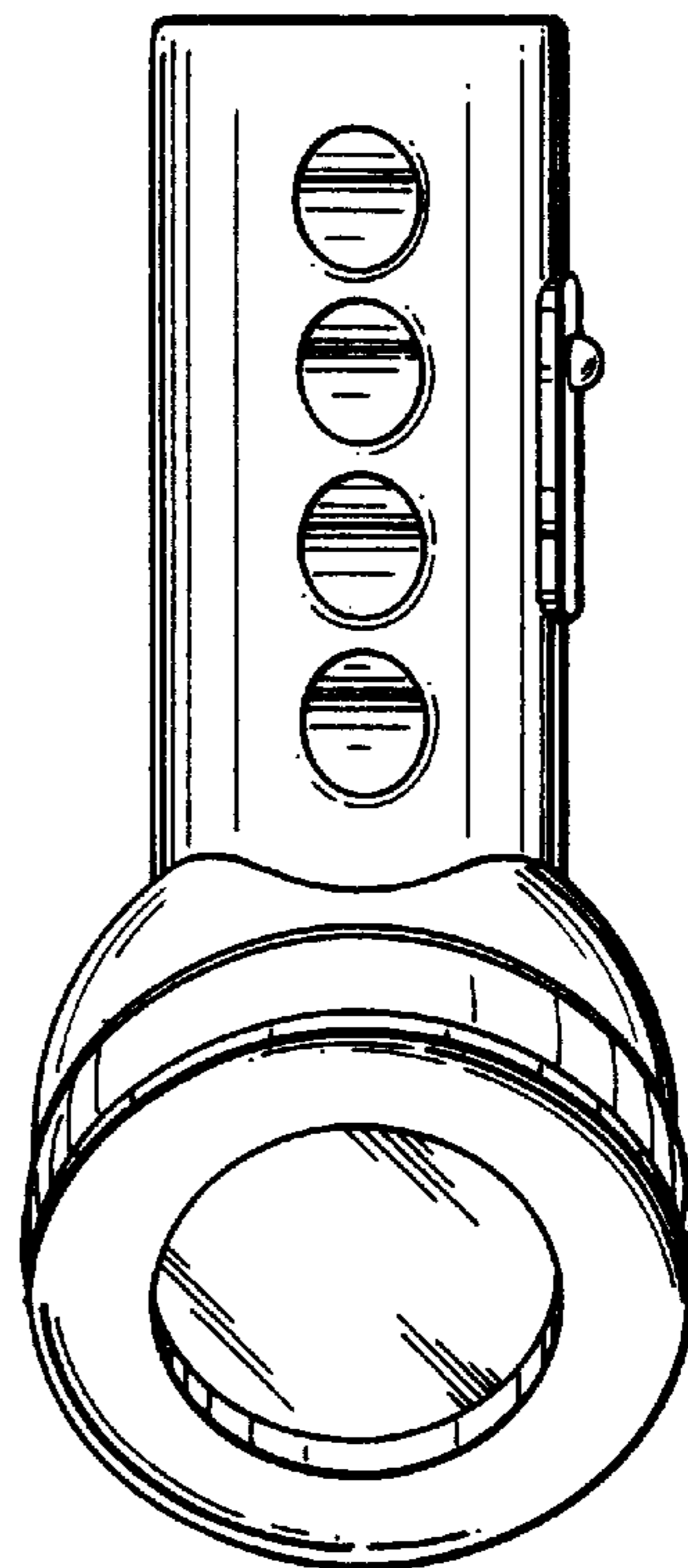


FIG.4

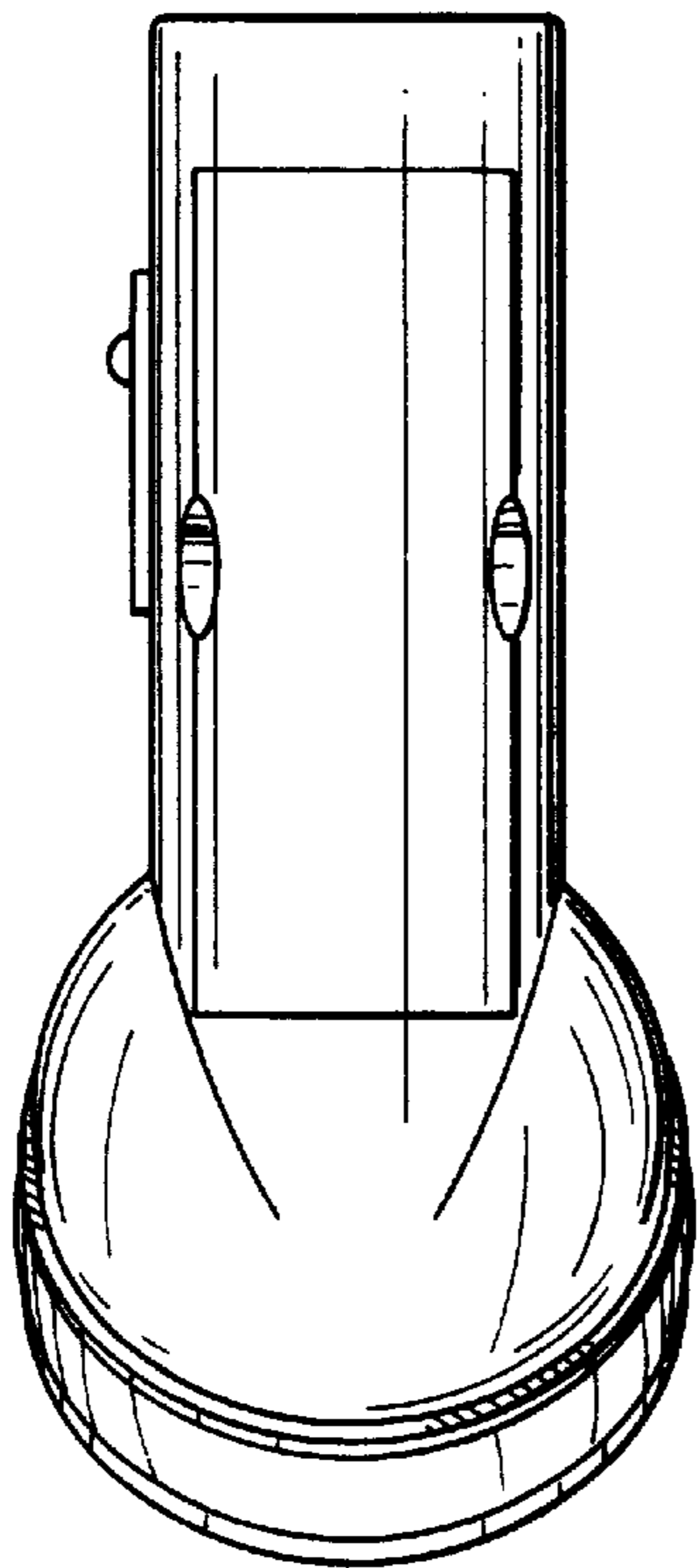


FIG. 5

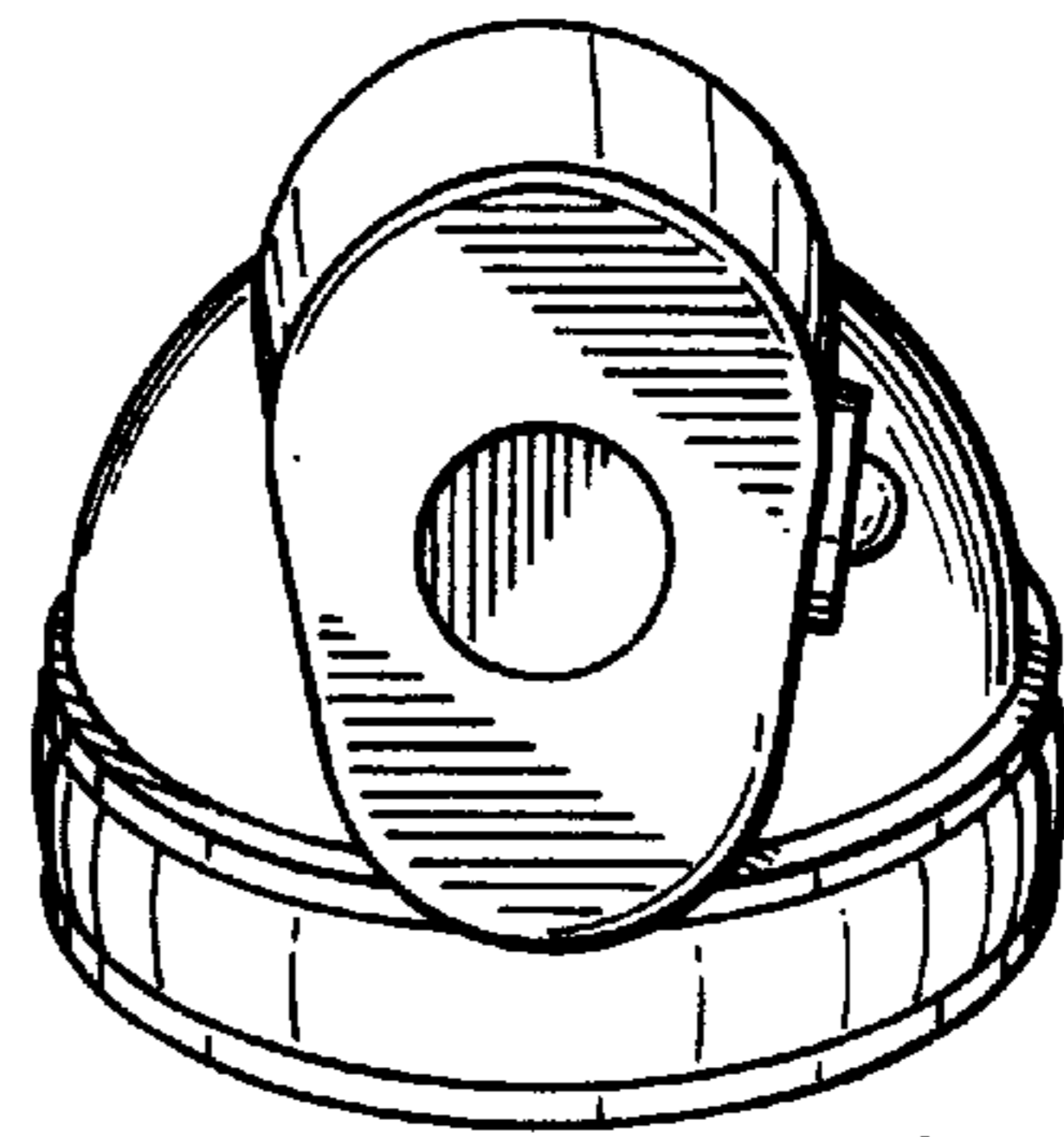


FIG. 6

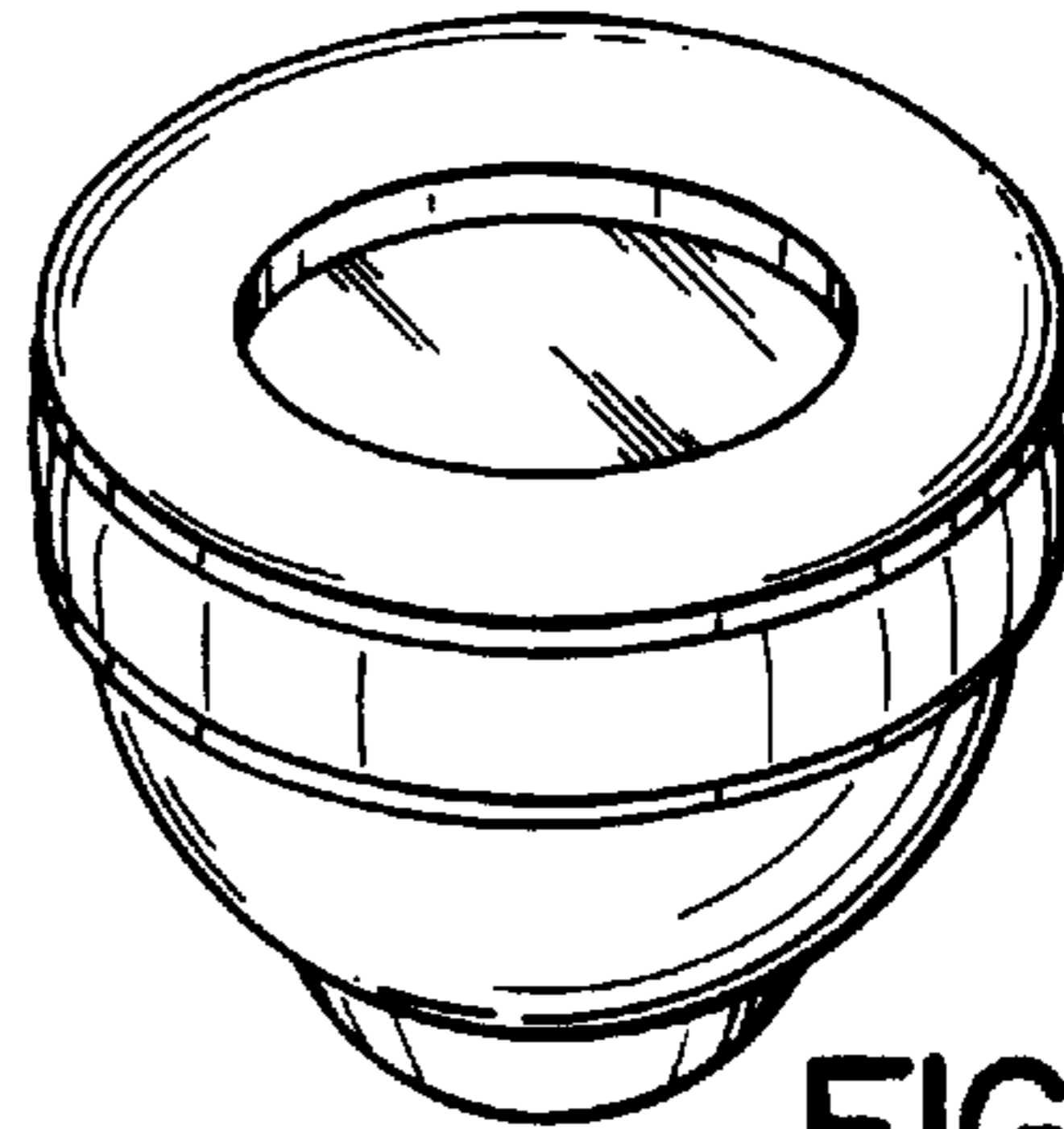


FIG. 7

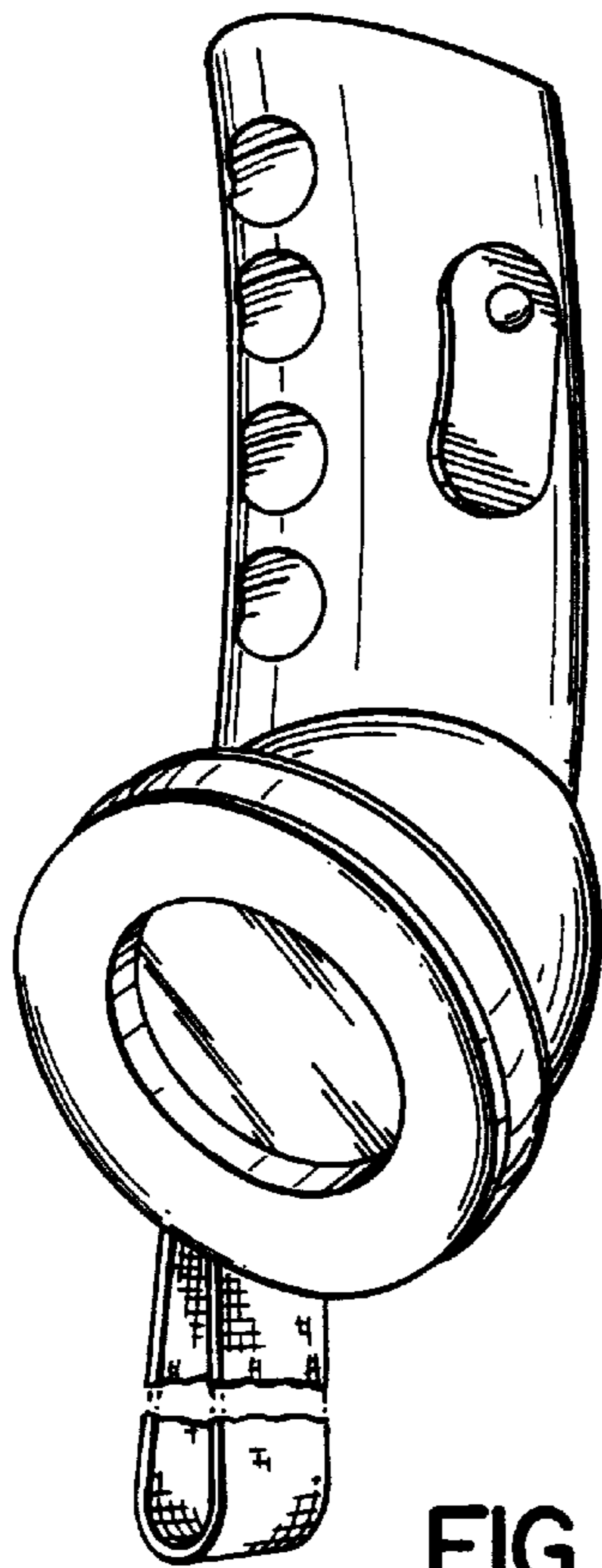


FIG. 8

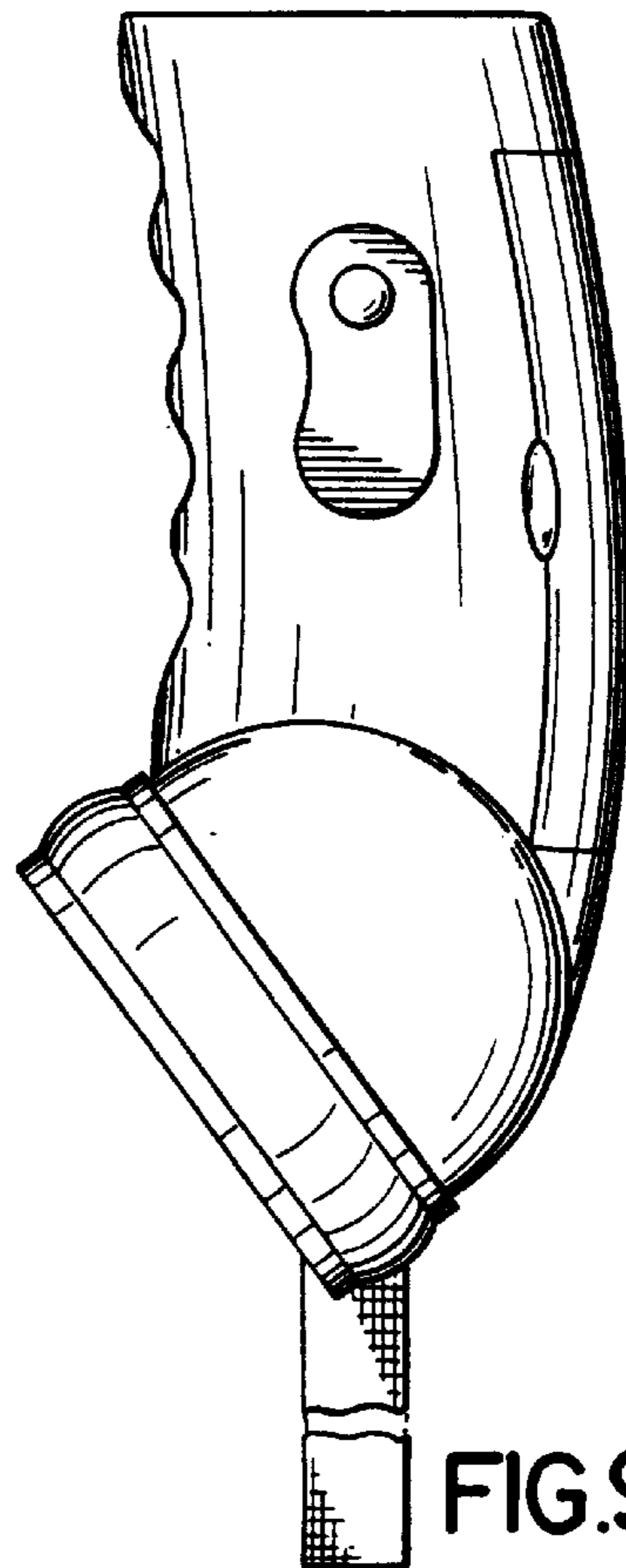


FIG. 9

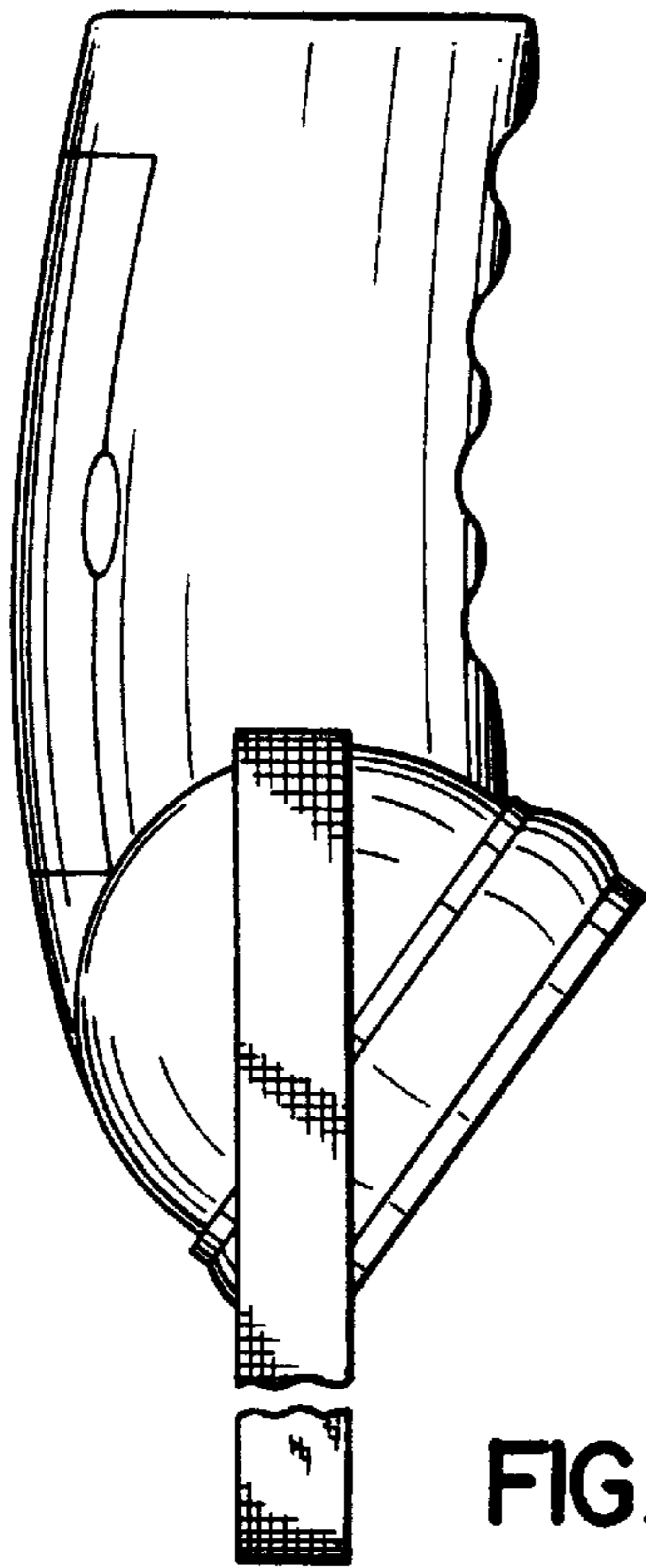


FIG.10

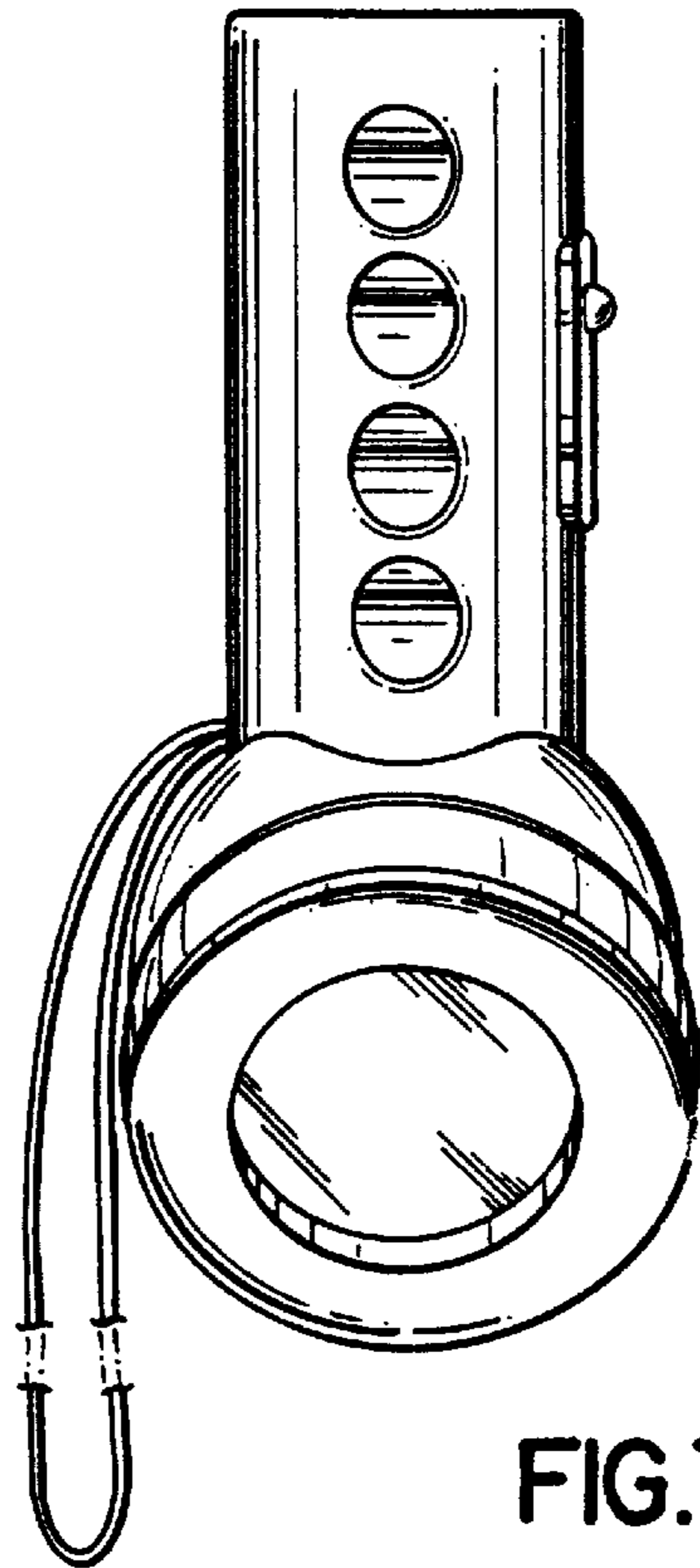


FIG.11

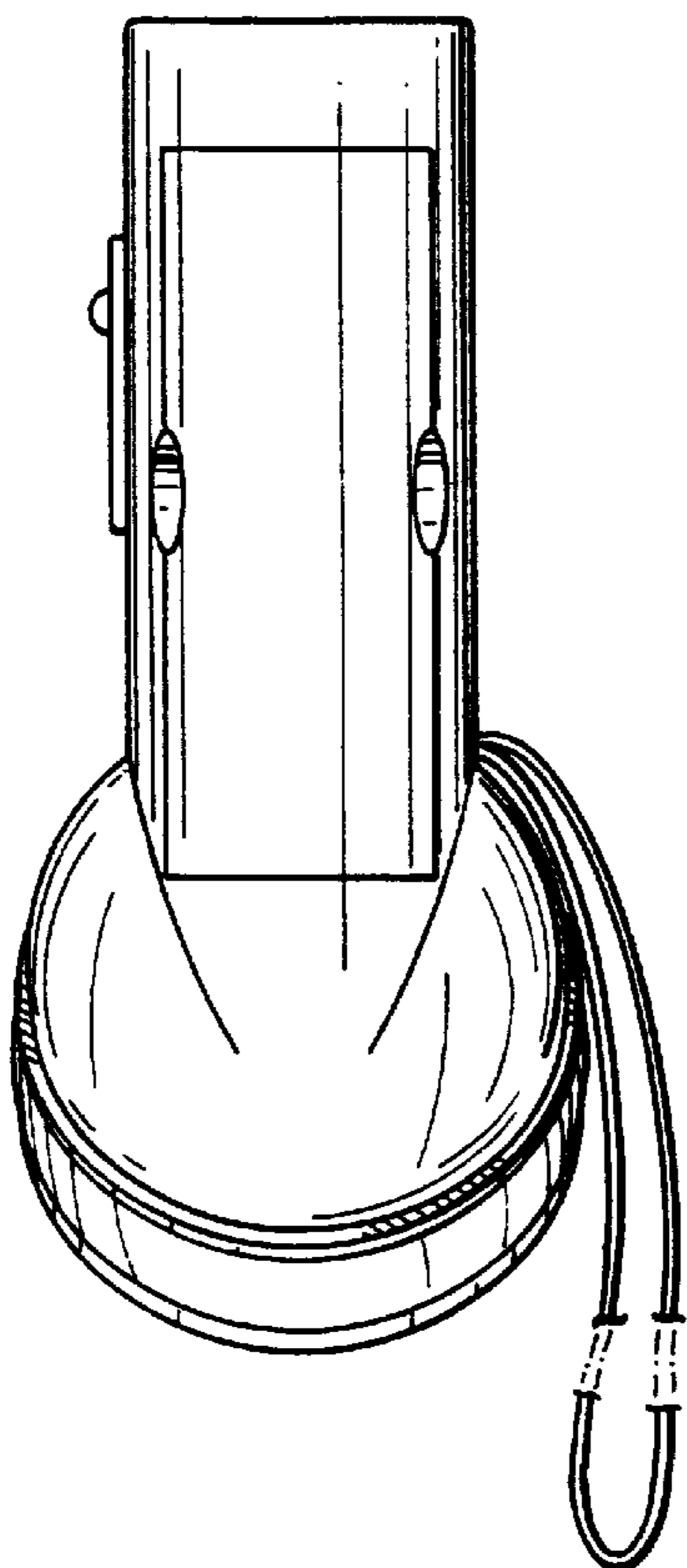


FIG.12

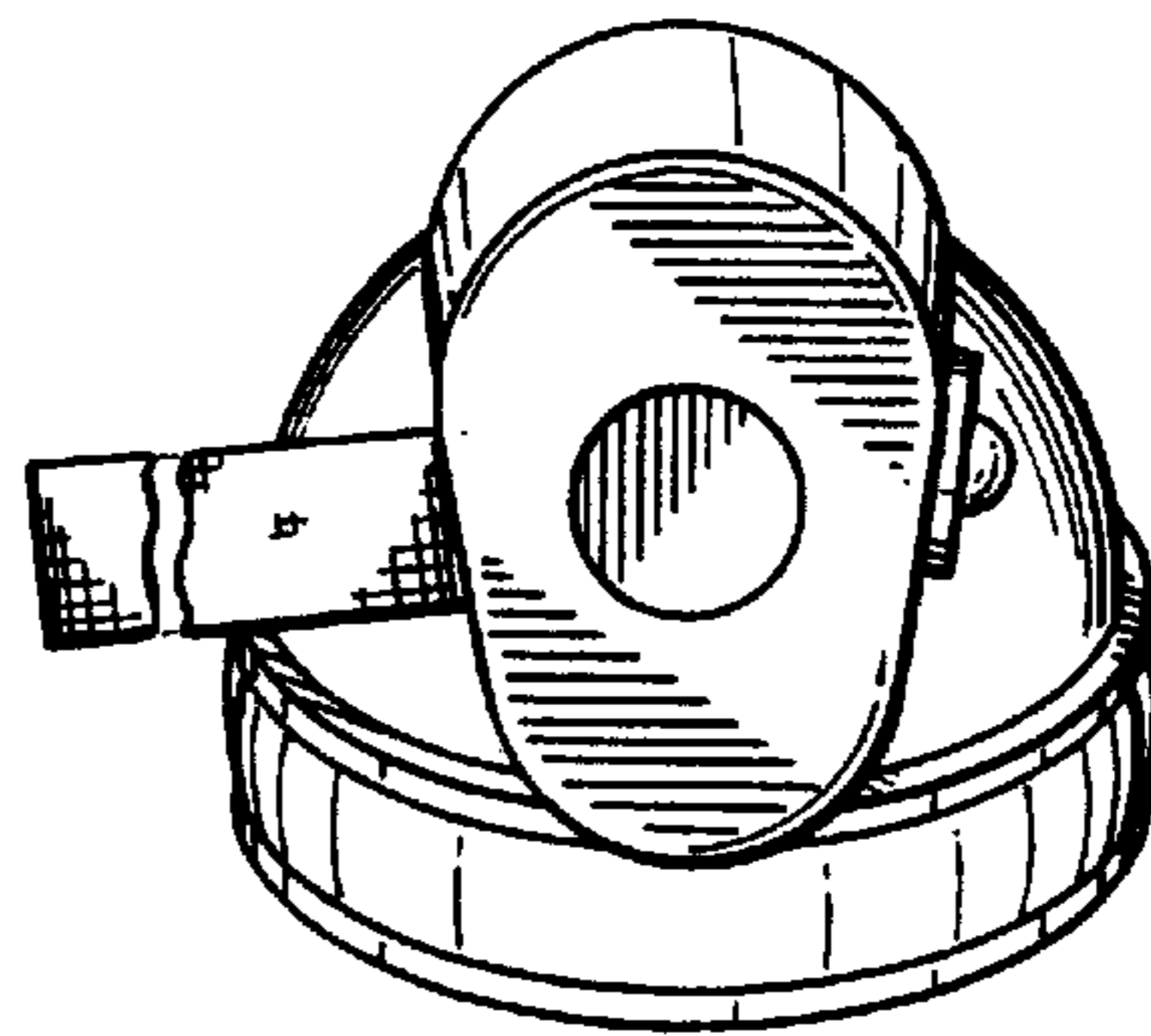


FIG.13

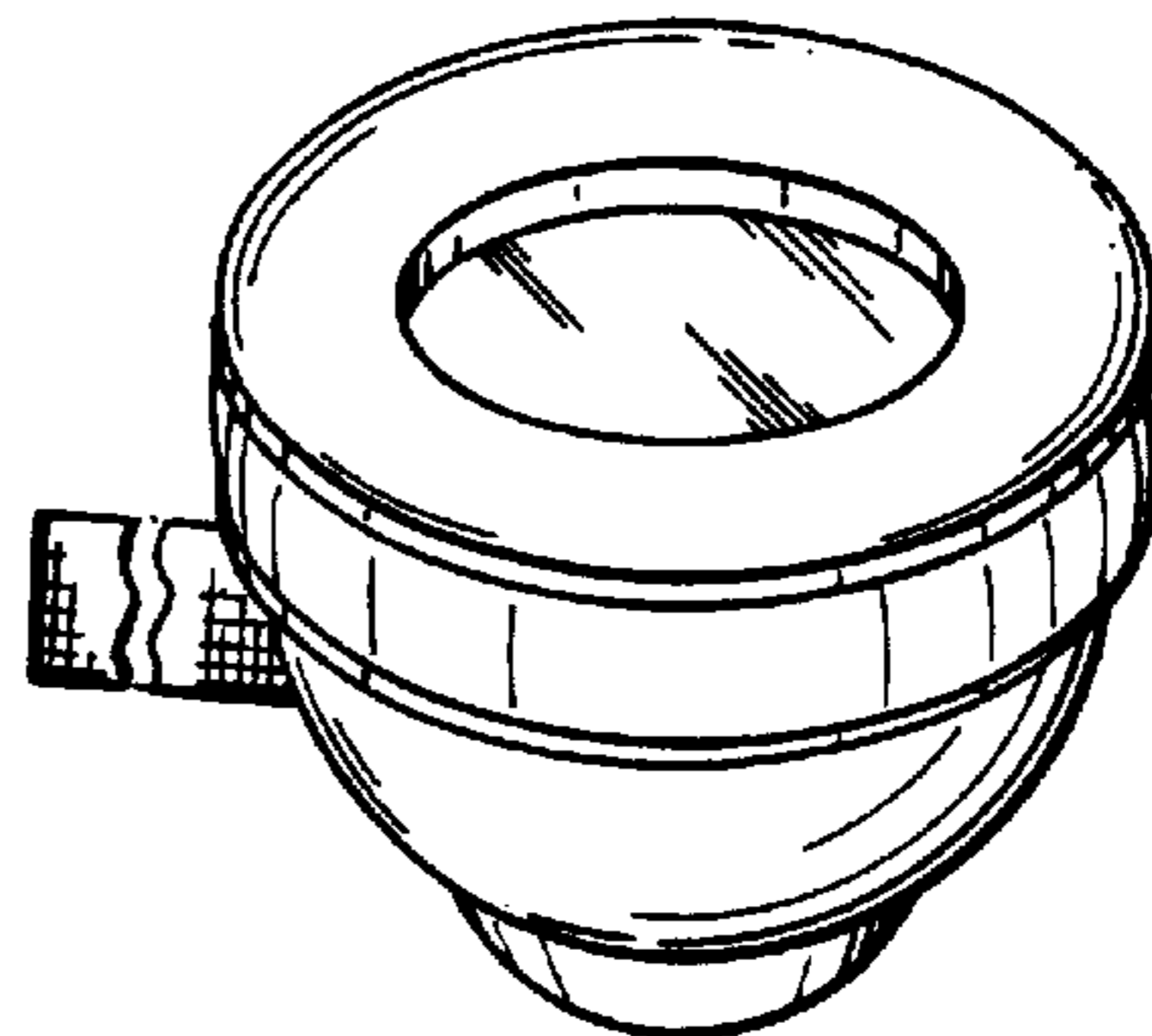


FIG.14