



US00D430712S

United States Patent [19] Song

[11] **Patent Number: Des. 430,712**

[45] **Date of Patent: ** Sep. 5, 2000**

[54] **ELECTRIC CLEANER**

[76] Inventor: **Seung-Wook Song**, 5-103 Kaepo 1-cha Woosung Apt., 503 Daechi 1-dong, Kangnam-gu, Seoul, Rep. of Korea

[**] Term: **14 Years**

[21] Appl. No.: **29/108,801**

[22] Filed: **Aug. 3, 1999**

[30] **Foreign Application Priority Data**

May 21, 1999 [KR] Rep. of Korea 99-11123

[51] **LOC (7) Cl.** **15-05**

[52] **U.S. Cl.** **D32/21**

[58] **Field of Search** D32/30, 23, 21, D32/25, 1; 15/326, 323, 320, 321, 327.1, 353, 246.5, 327.2

[56] **References Cited**

U.S. PATENT DOCUMENTS

D. 178,199	7/1956	Martins	D32/23
D. 357,336	4/1995	Moine et al.	D32/23
D. 383,575	9/1997	Griffin	D32/23
D. 389,962	1/1998	Berfield et al.	D32/23
4,435,877	3/1984	Barfield	15/326

OTHER PUBLICATIONS

Product Sheet of Jji Kae Enterprise Co. Ltd., 3200W 3-in-1 Wet/Dry & Shampoo Vacuum Cleaner, Copyright 1998, p. 1.
 Product Sheet of Shivn Feng Enterprise Co. Ltd., HF-3229 Multifunction Vacuum Cleaner—Wet and Dry, Copyright 1998, p. 1.
 Product Sheet of Jji Kae Enterprise Co. Ltd., 3223W Wet/Dry Vacuum Cleaner with 950W Power Consumption, Copyright 1998, p. 1.
 Product Sheet of Jji Kae Enterprise Co. Ltd., 3208W Vacuum Cleaner with 14-Liter Drum Capacity, Copyright 1998, p. 1.
 Product Sheet of Ningbo Fuda Electric Appliance Co. Ltd., ZL 1200-35 Vacuum Cleaner with Large Capacity Dust Bag, p. 1.

Product Sheet of Richyoung Industrial Co. Ltd., RY-A1014 Wet/Dry Vacuum Cleaner with a Tank Capacity of 15 Liters, p. 1.

Product Sheet entitled Luft-u.Raumreinigungssystem, HYLEA, p. 2 No Date Supplied.

Product Sheet of Align Machine Tool Co., Ltd., Wet/Dry Vacuum Cleaners, Inq. No. 3871, Taiwan No Date Supplied.

Product Sheet of TMB SRL, Wet/Dry Vacuum Cleaners, Italy No Date Supplied.

Product Sheet entitled Oilmist Fume, Vacuum Cleaners No Date Supplied.

Product of Kyung Seo Co., Ltd., Vacuum Cleaners No Date Supplied.

Product Sheet of Filter Queen, "An American Icon Since 1928", Majestic, p. 15 No Date Supplied.

Korean Advertisement, Vacuum Cleaners No Date Supplied.

U.S. Trademark Registration No. 1,976,252, Registered May 28, 1996, Configuration of Vacuum Cleaner, Health-Mor, Inc.

Primary Examiner—Mitchell Siegel

Attorney, Agent, or Firm—R. Neil Sudol; Henry D. Coleman

[57] **CLAIM**

The ornamental design for an electric cleaner, as shown and described.

DESCRIPTION

FIG. 1 is a perspective front view of a electric cleaner, showing my new design.

FIG. 2 is a side elevation view of the front of the electric cleaner.

FIG. 3 is a side elevation view of the rear of the electric cleaner.

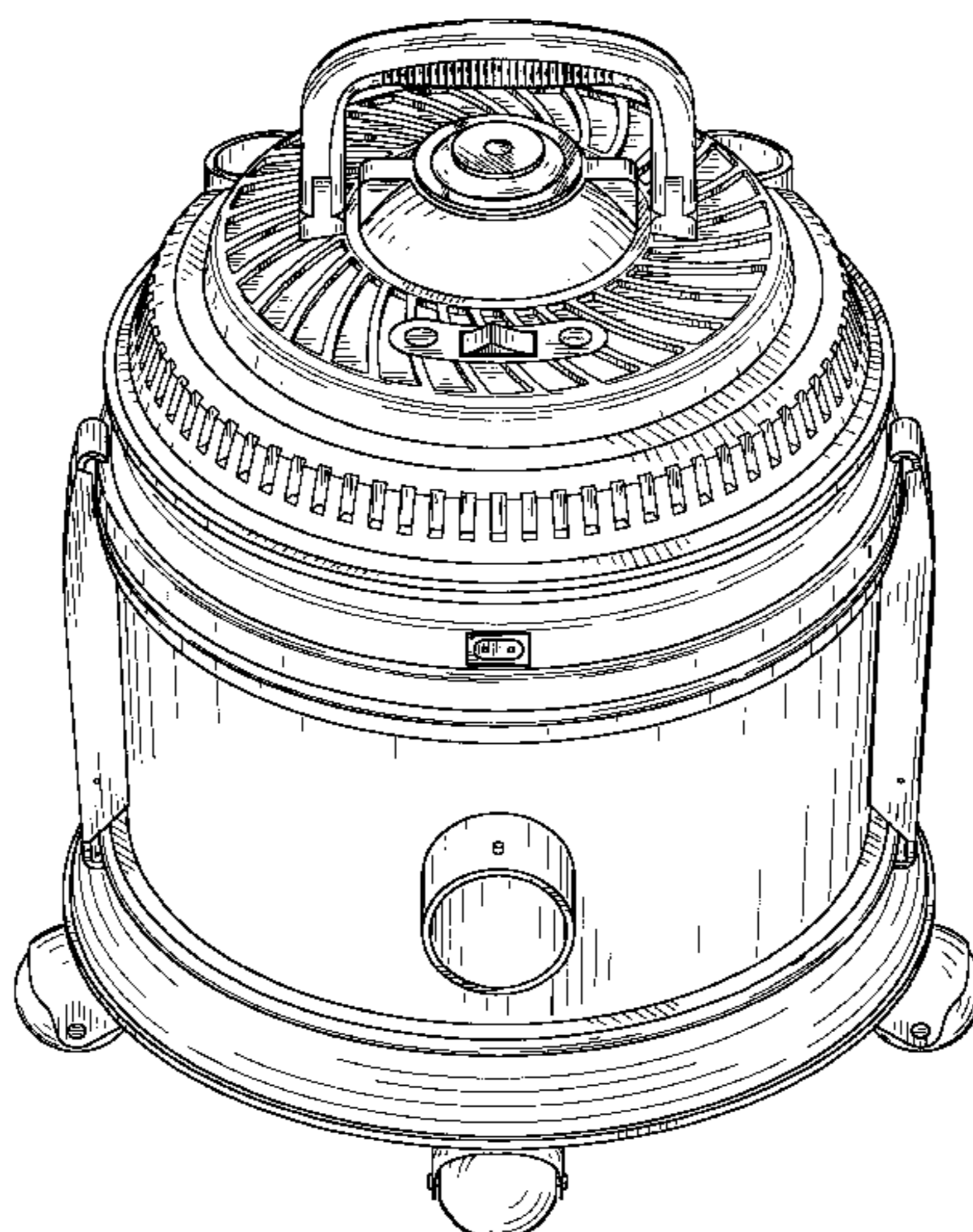
FIG. 4 is a side elevation view of one side plan of the electric cleaner.

FIG. 5 is a side elevation view of the other side of the electric cleaner.

FIG. 6 is a top view of the electric cleaner; and,

FIG. 7 is a bottom view of the electric cleaner.

1 Claim, 7 Drawing Sheets



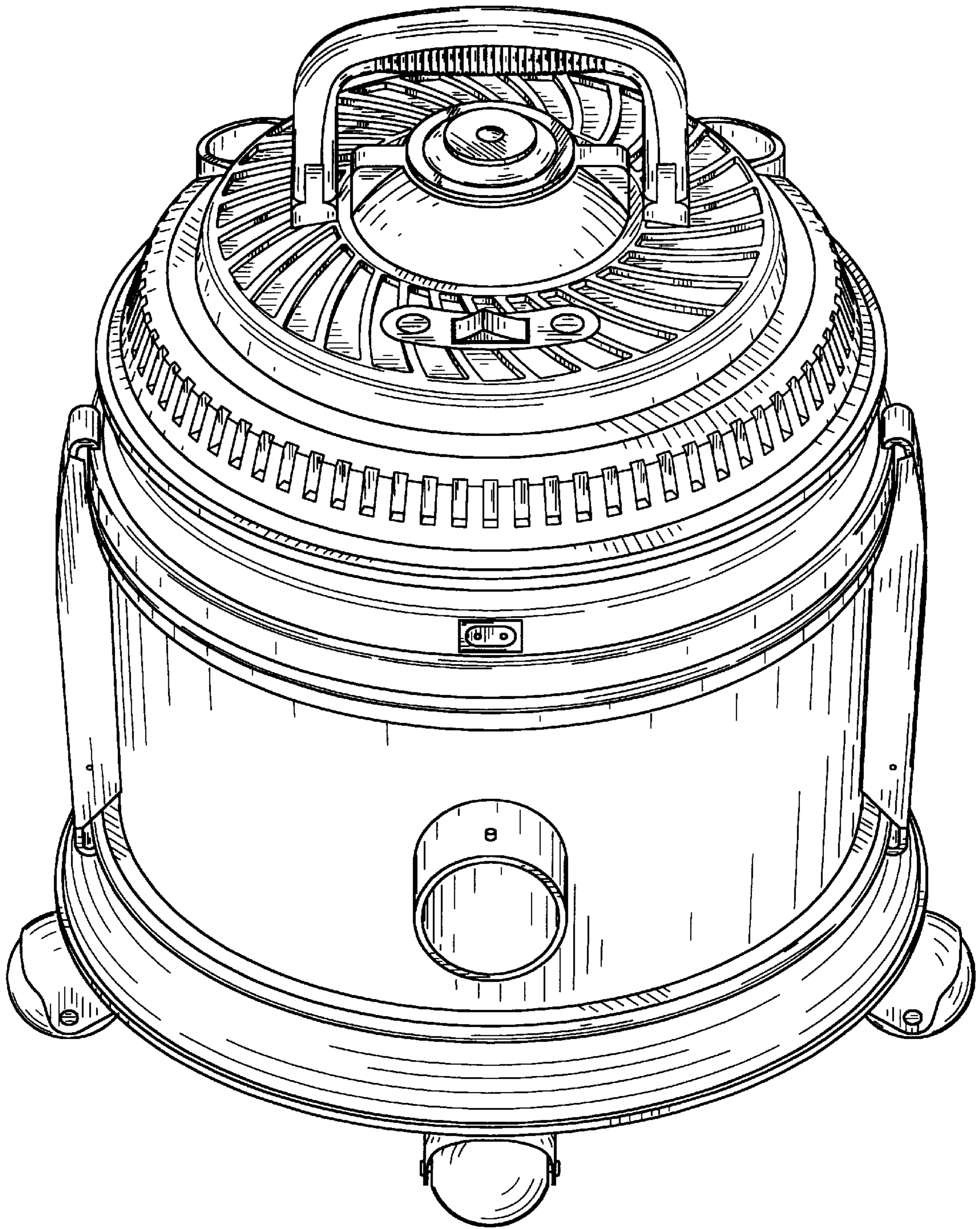


Fig.1

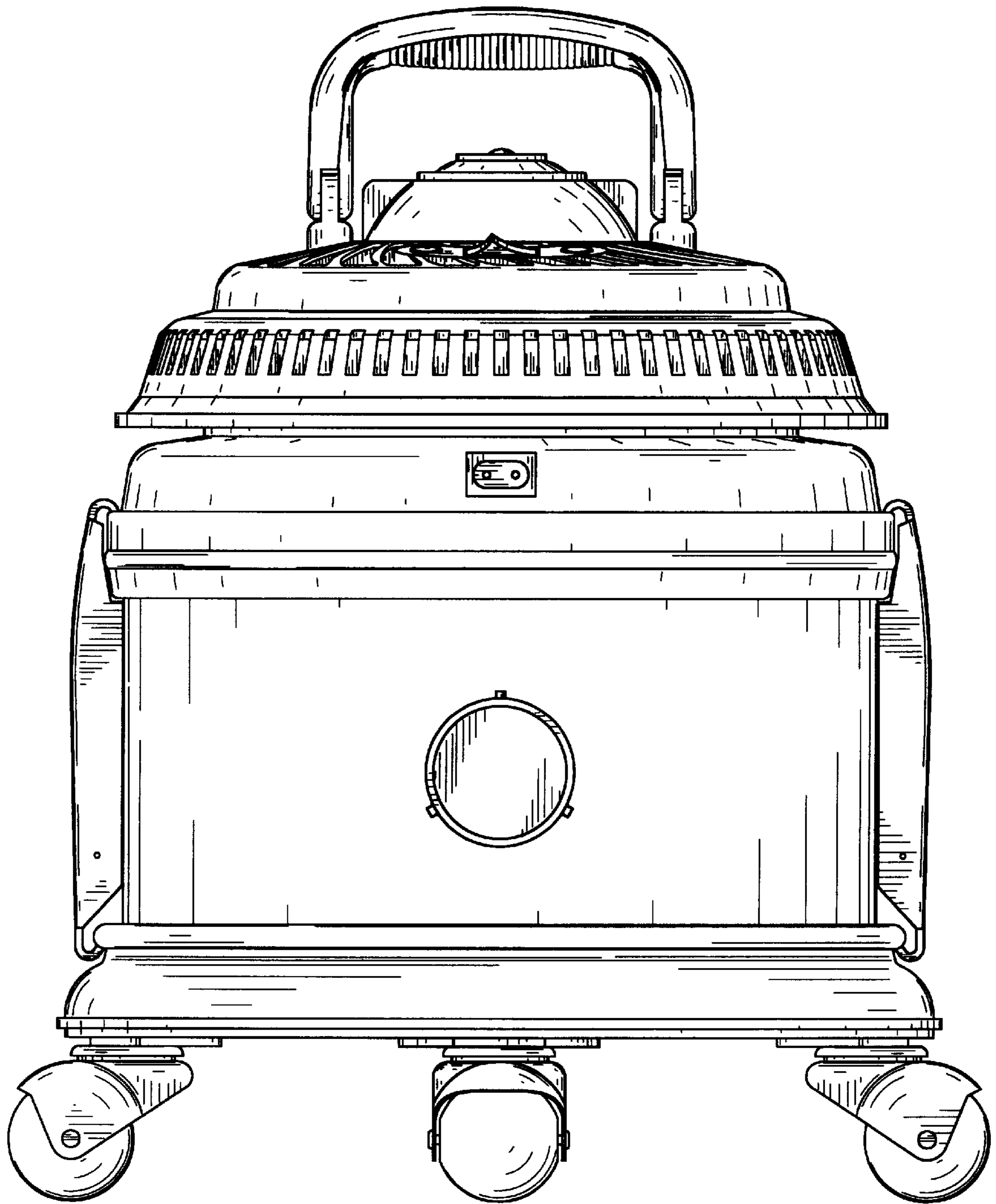


Fig.2

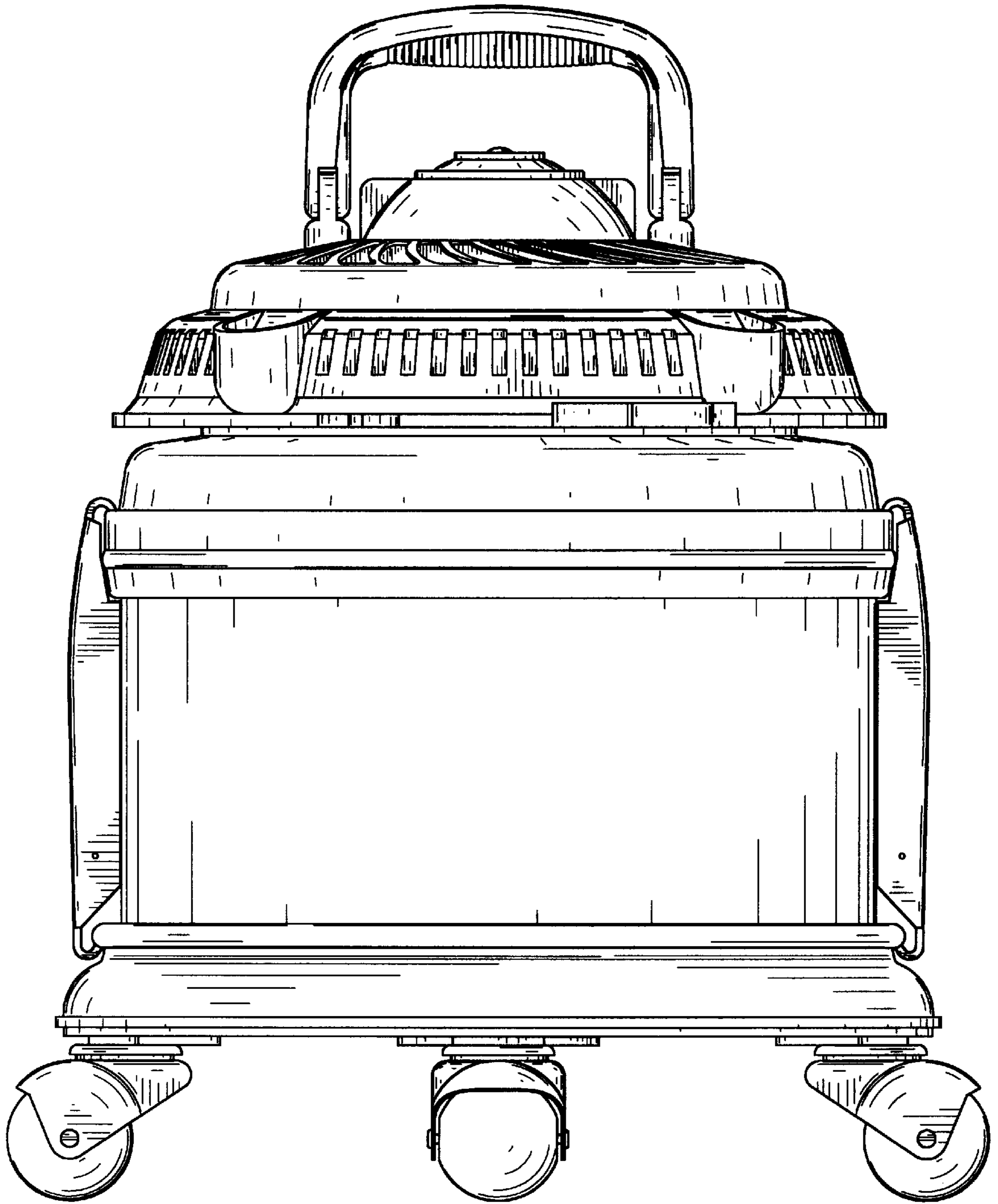


Fig.3

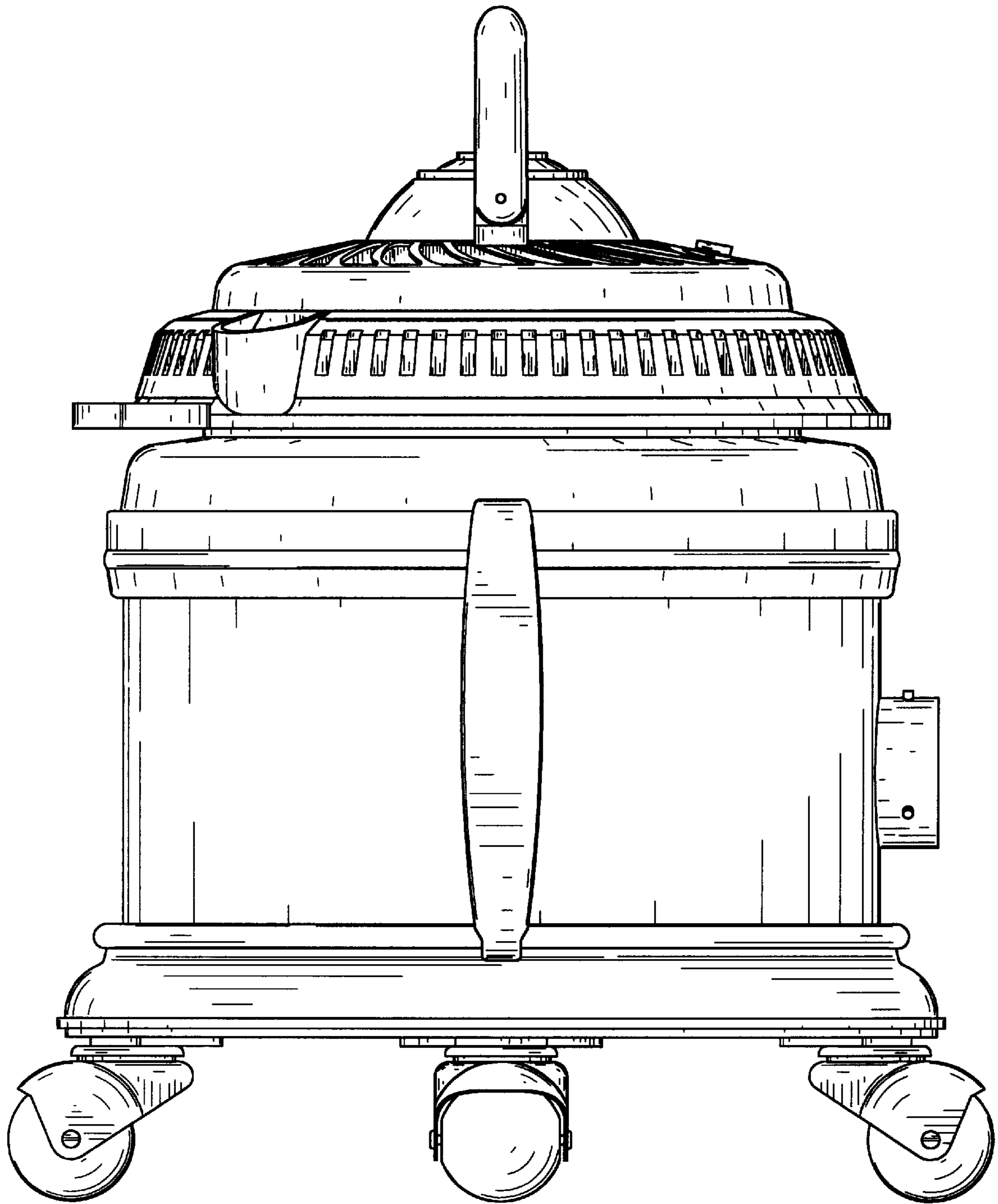


Fig.4

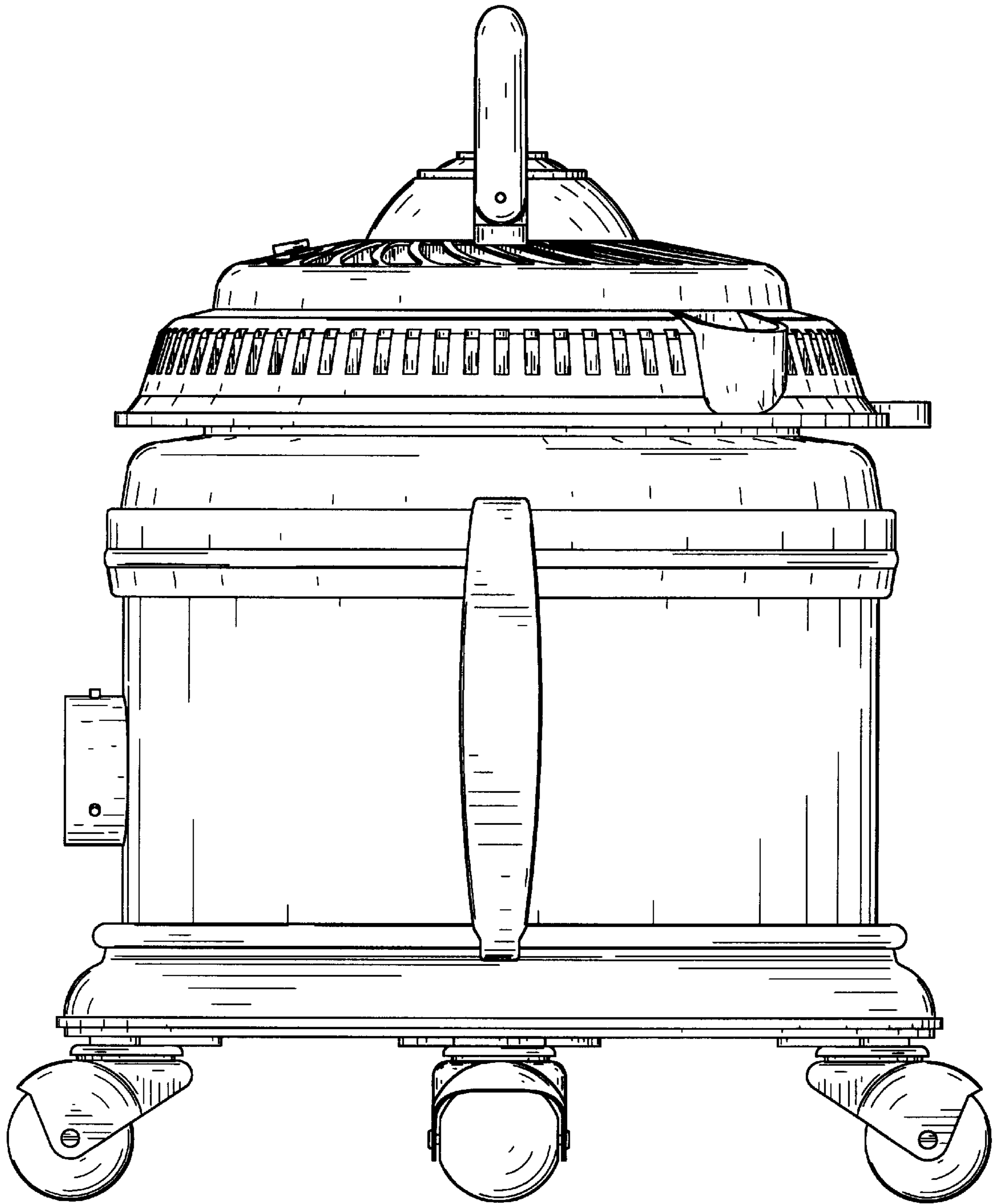


Fig.5

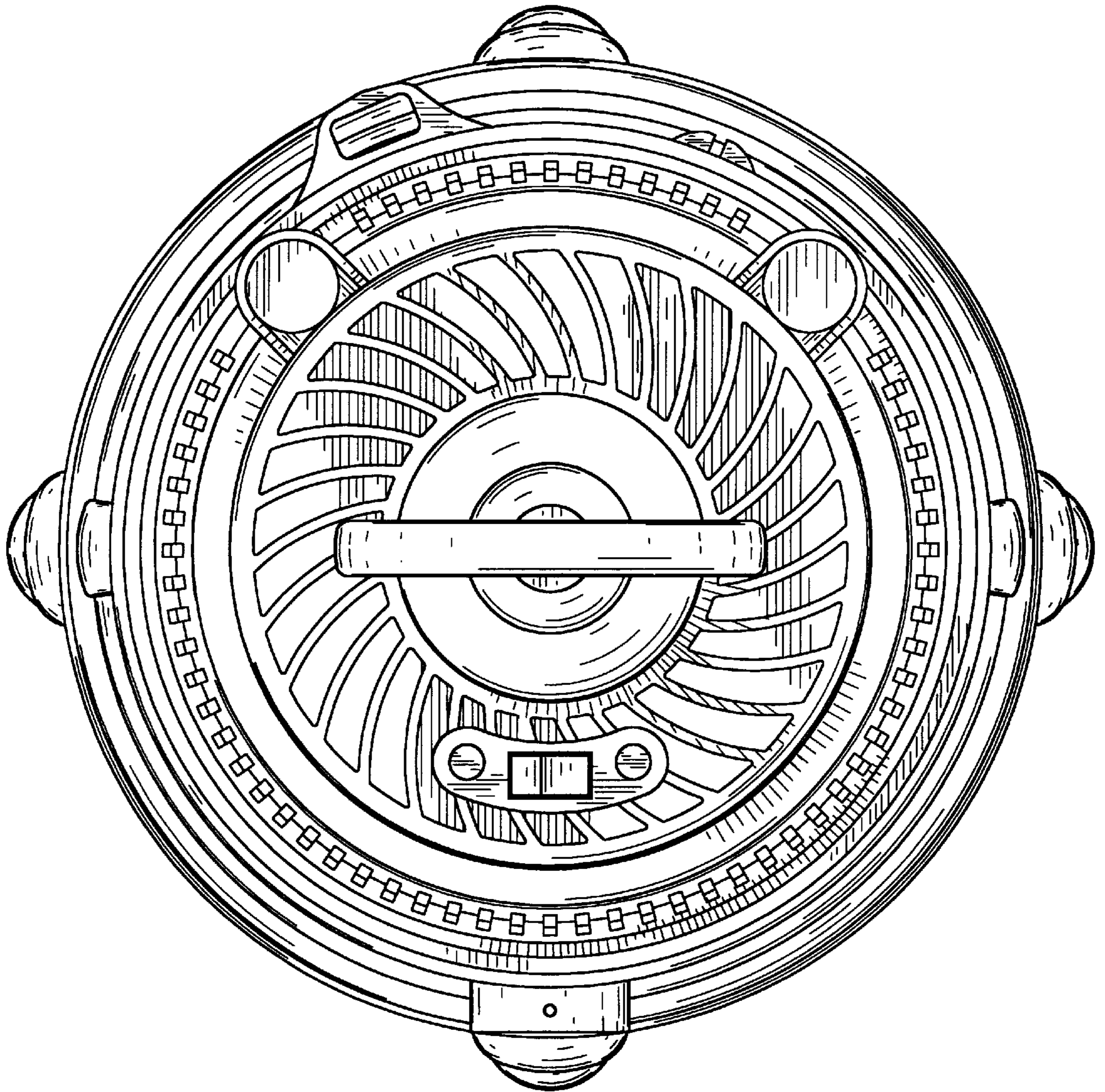


Fig.6

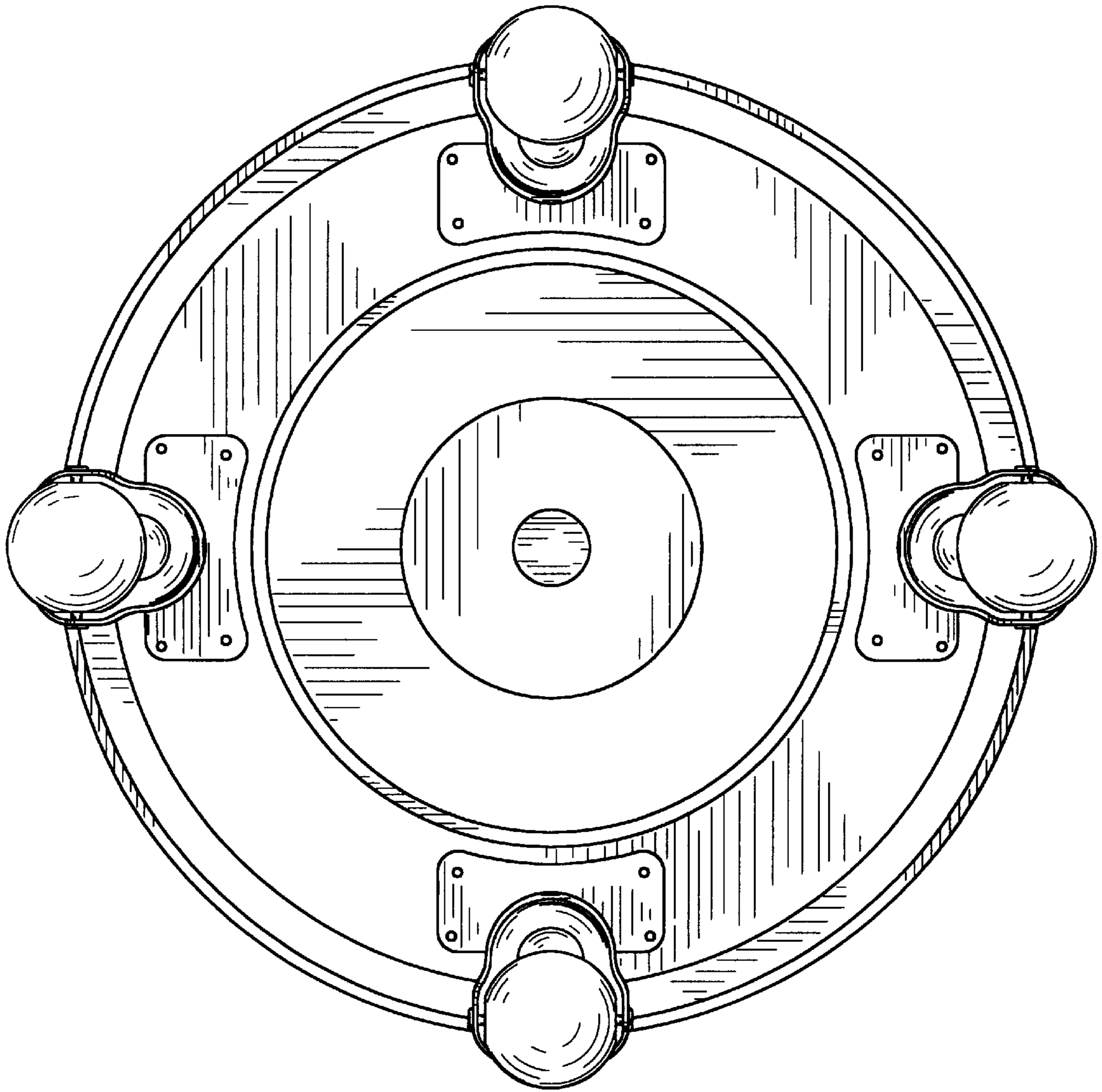


Fig.7