



US00D430701S

United States Patent [19]

[11] **Patent Number: Des. 430,701**

Cancellera

[45] **Date of Patent: ** Sep. 5, 2000**

[54] **ASHTRAY**

D. 258,149 2/1981 Babbish D27/102
D. 258,316 2/1981 Duh D27/102
1,440,046 12/1922 Ziplinsky 131/242 X

[76] Inventor: **Enzo Cancellera**, 260 Matheson Street,
Maple, Ontario, Canada, L6A 1B4

[**] Term: **14 Years**

Primary Examiner—Susan J. Lucas
Assistant Examiner—Jennifer Rivard

[21] Appl. No.: **29/111,627**

[57] **CLAIM**

[22] Filed: **Oct. 1, 1999**

The ornamental design for an ashtray, as shown and described.

[51] **LOC (7) Cl.** **27-03**

[52] **U.S. Cl.** **D27/102; D27/133**

[58] **Field of Search** D27/102, 103,
D27/133, 134, 135; 131/231, 235.1, 237.5,
240.1, 241, 242, 242.6

DESCRIPTION

[56] **References Cited**

FIG. 1 is a top view of the ashtray;
FIG. 2 is a perspective view of the ashtray; the opposite
perspective view is a mirror image thereof; and,
FIG. 3 is a bottom view of the ashtray.

U.S. PATENT DOCUMENTS

D. 187,969 5/1960 Bickford D27/133

1 Claim, 3 Drawing Sheets

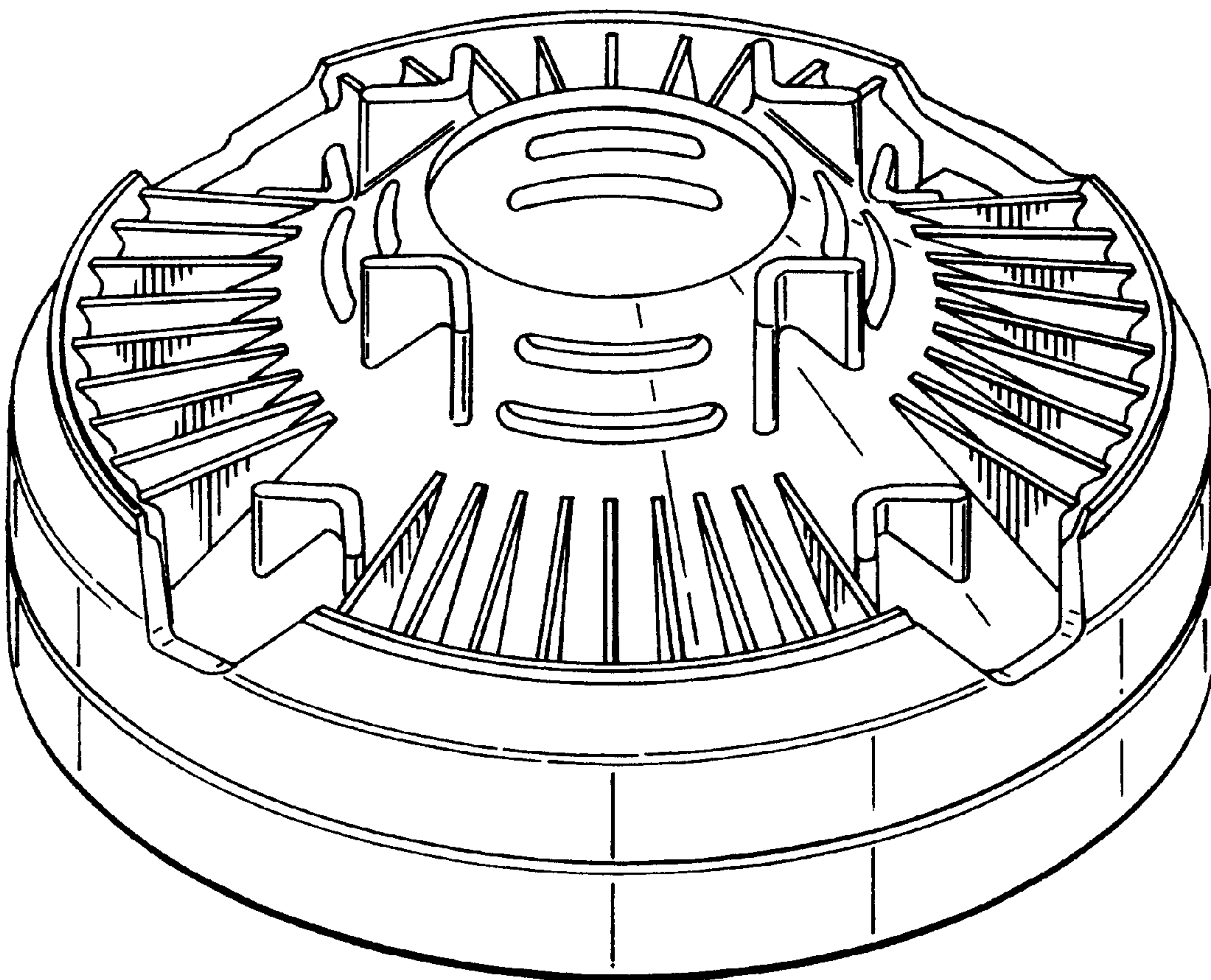


FIG. 1.

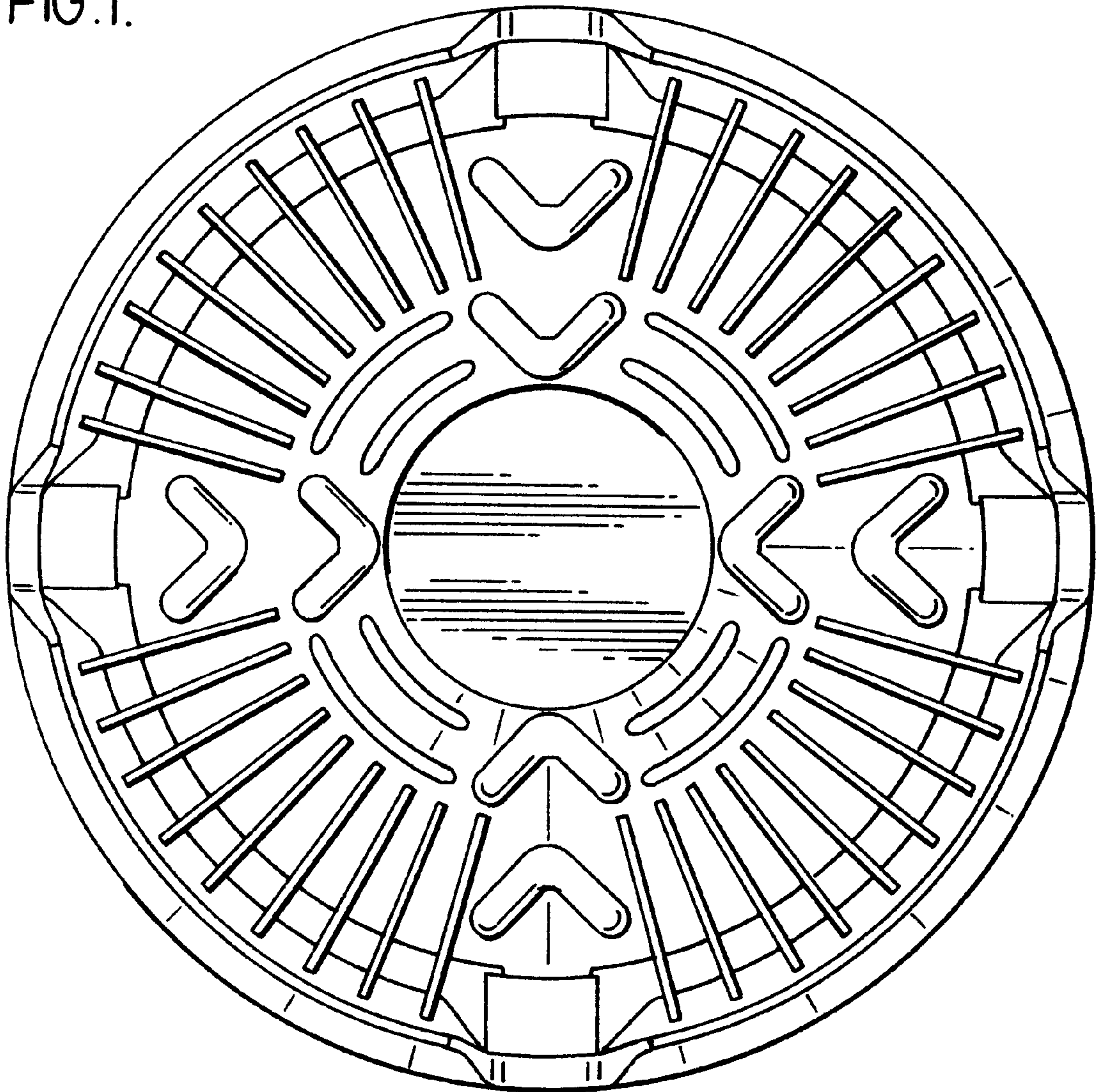


FIG. 2.

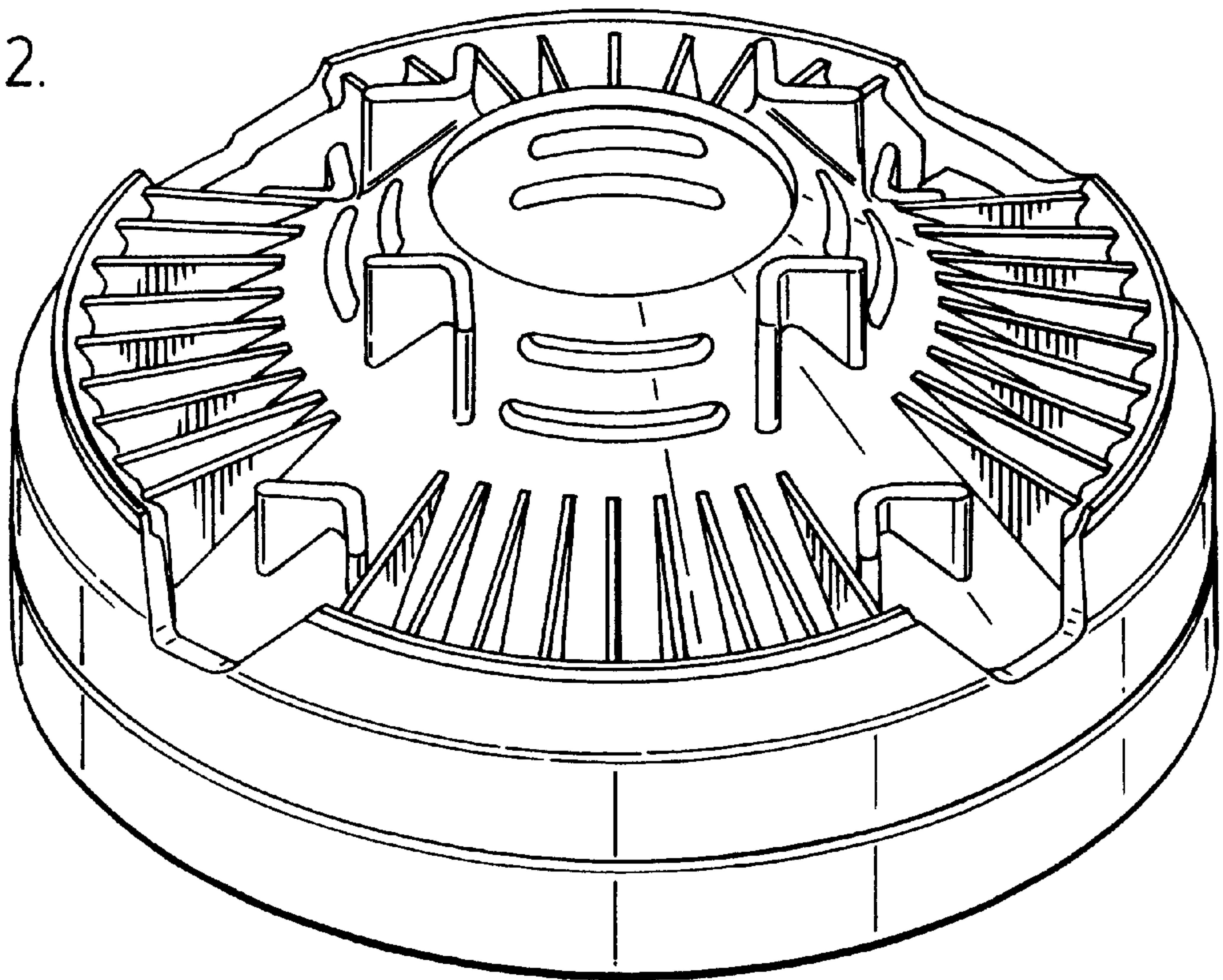


FIG. 3.

