



US00D430692S

United States Patent [19]

Nicholas

[11] Patent Number: Des. 430,692

[45] Date of Patent: ** Sep. 5, 2000

[54] CHANDELIER

[75] Inventor: Kenneth J. Nicholas, Parma, Ohio

[73] Assignee: The L. D. Kichler Co., Cleveland, Ohio

[**] Term: 14 Years

[21] Appl. No.: 29/115,502

[22] Filed: Dec. 15, 1999

[51] LOC (7) Cl. 26-05

[52] U.S. Cl. D26/86; D26/142

[58] Field of Search D26/72, 80-92; 362/404-408, 147

[56] References Cited

U.S. PATENT DOCUMENTS

- D. 408,574 4/1999 Dolan D26/84
- D. 413,177 8/1999 Miranda D26/84

OTHER PUBLICATIONS

- Bright lighting catalog, Jan. 1995, p. 16, chandelier A03008H.
- Minka-Lavery lighting catalog, 1995, p. 23 chandelier #DA2200.
- Quoizel lighting catalog, 1997, p. 20, chandelier #CP556Z.

Primary Examiner—Susan J. Lucas

Attorney, Agent, or Firm—Watts, Hoffmann, Fisher & Heinke, Co., LPA

[57] CLAIM

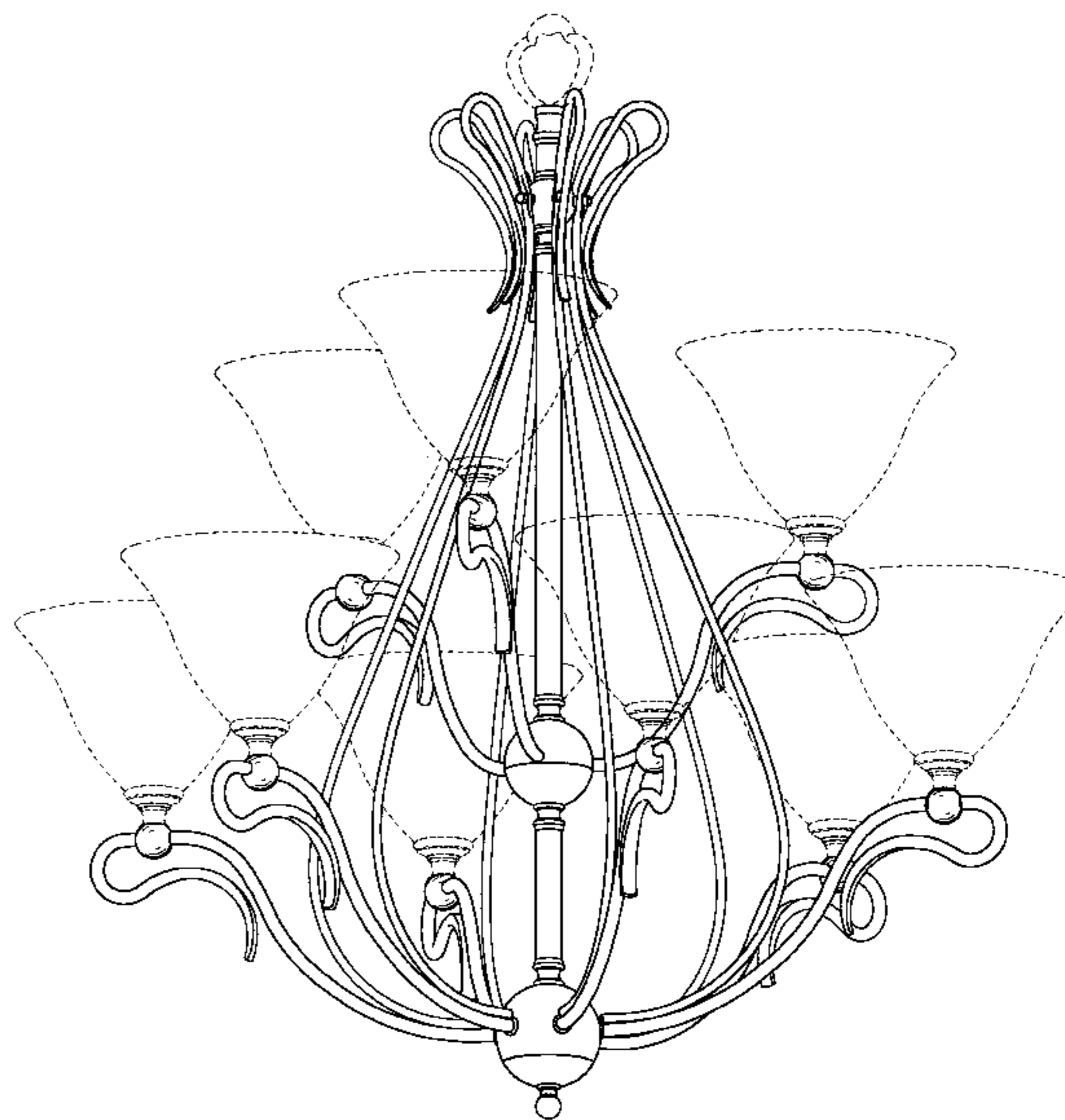
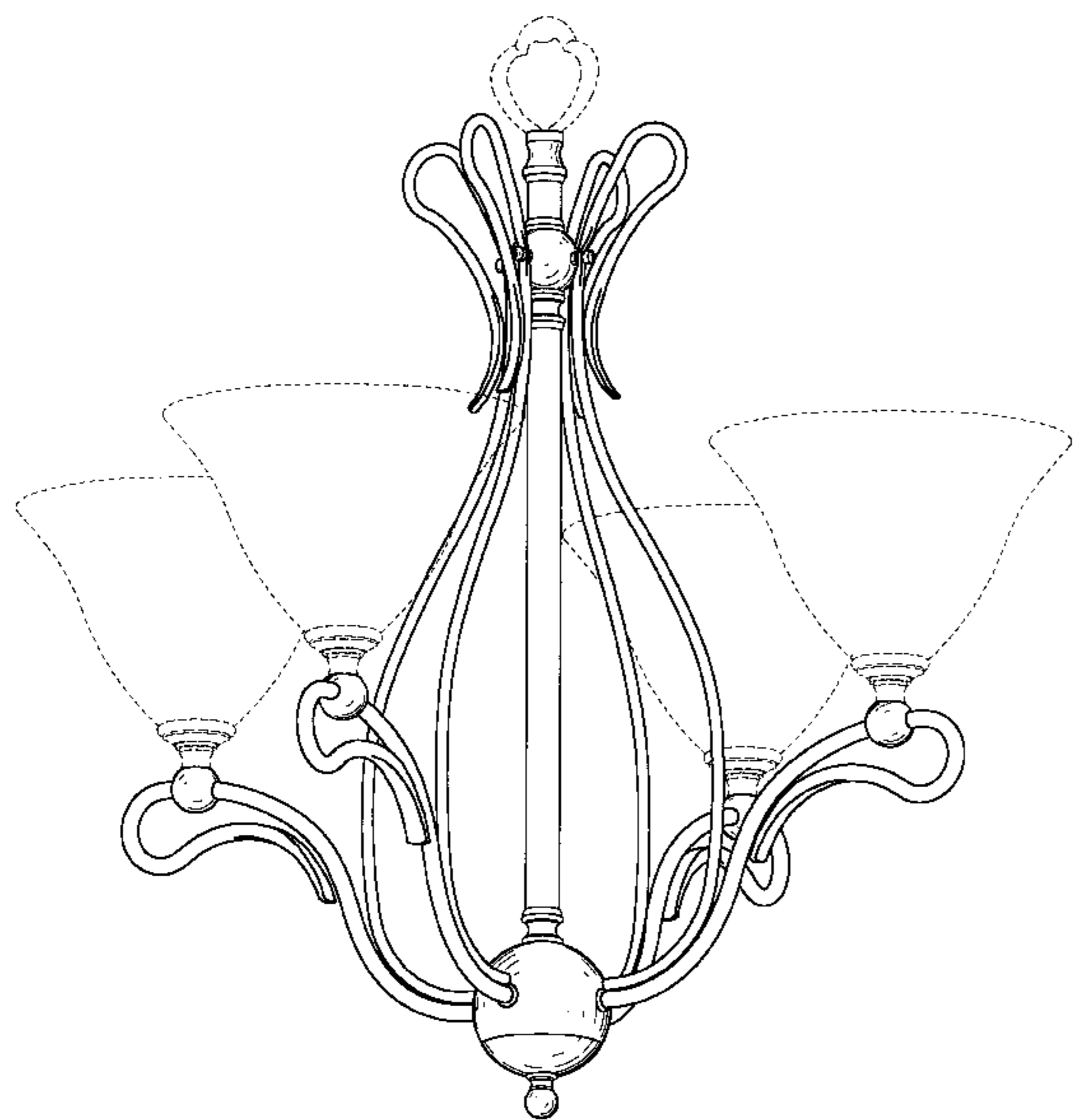
I claim the ornamental design for a chandelier, as shown and described.

DESCRIPTION

- FIG. 1 is a perspective view of the chandelier showing my new design;
- FIG. 2 is a front elevational view of the chandelier, the rear elevational view being identical;
- FIG. 3 is a right side elevational view of the chandelier, the left side elevational view being identical;
- FIG. 4 is a top plan view of the chandelier;
- FIG. 5 is a bottom plan view of the chandelier;
- FIG. 6 is a perspective view of the second embodiment of the chandelier showing my new design;
- FIG. 7 is a rear elevational view of the chandelier;
- FIG. 8 is a front elevational view of the chandelier;
- FIG. 9 is a left side elevational view of the chandelier, the right side elevational view being a mirror image;
- FIG. 10 is a top plan view of the chandelier; and,
- FIG. 11 is a bottom plan view of the chandelier.

The broken lines shown are for illustrative purposes only and form no part of the claimed design.

1 Claim, 11 Drawing Sheets



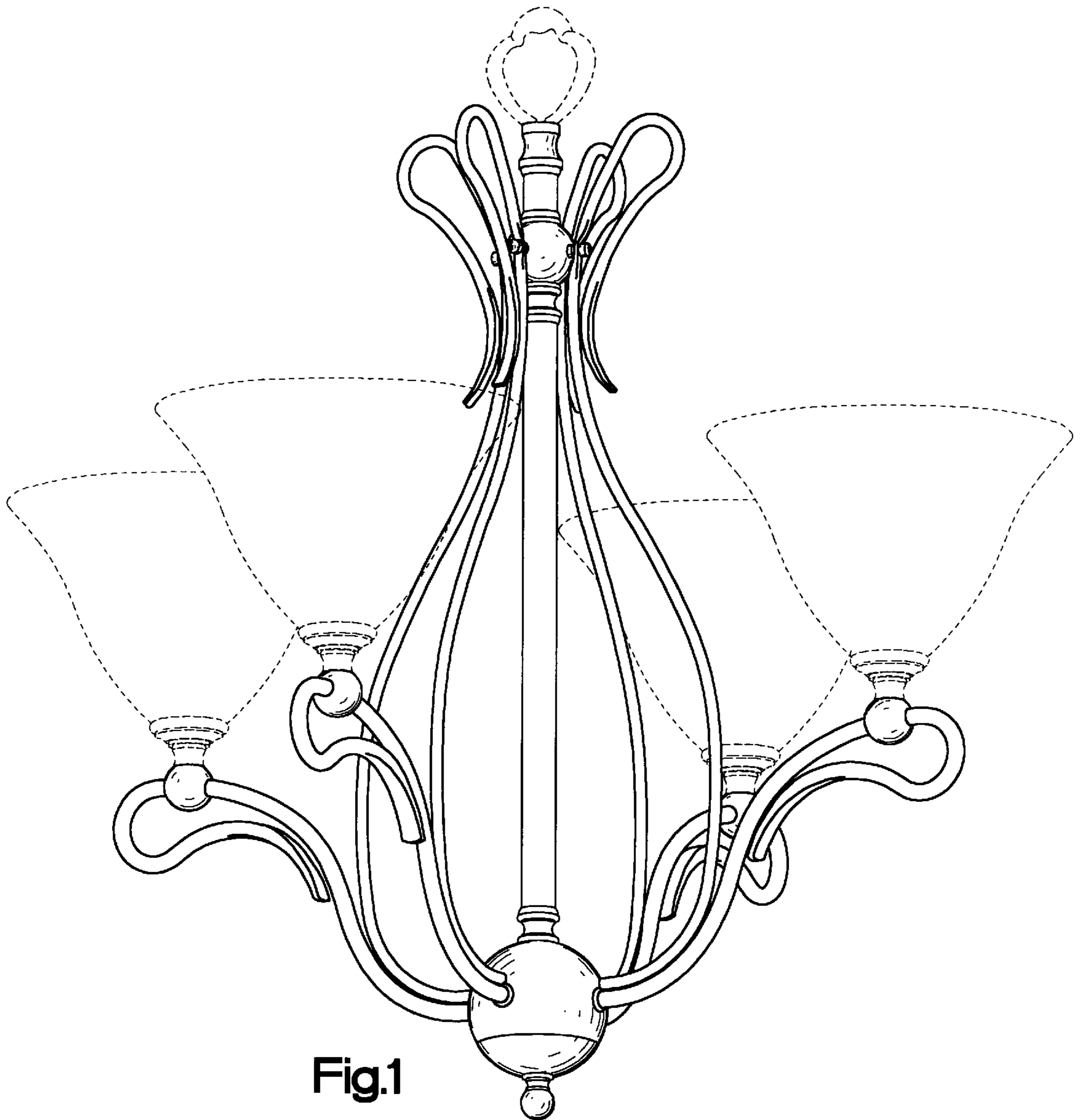


Fig.1

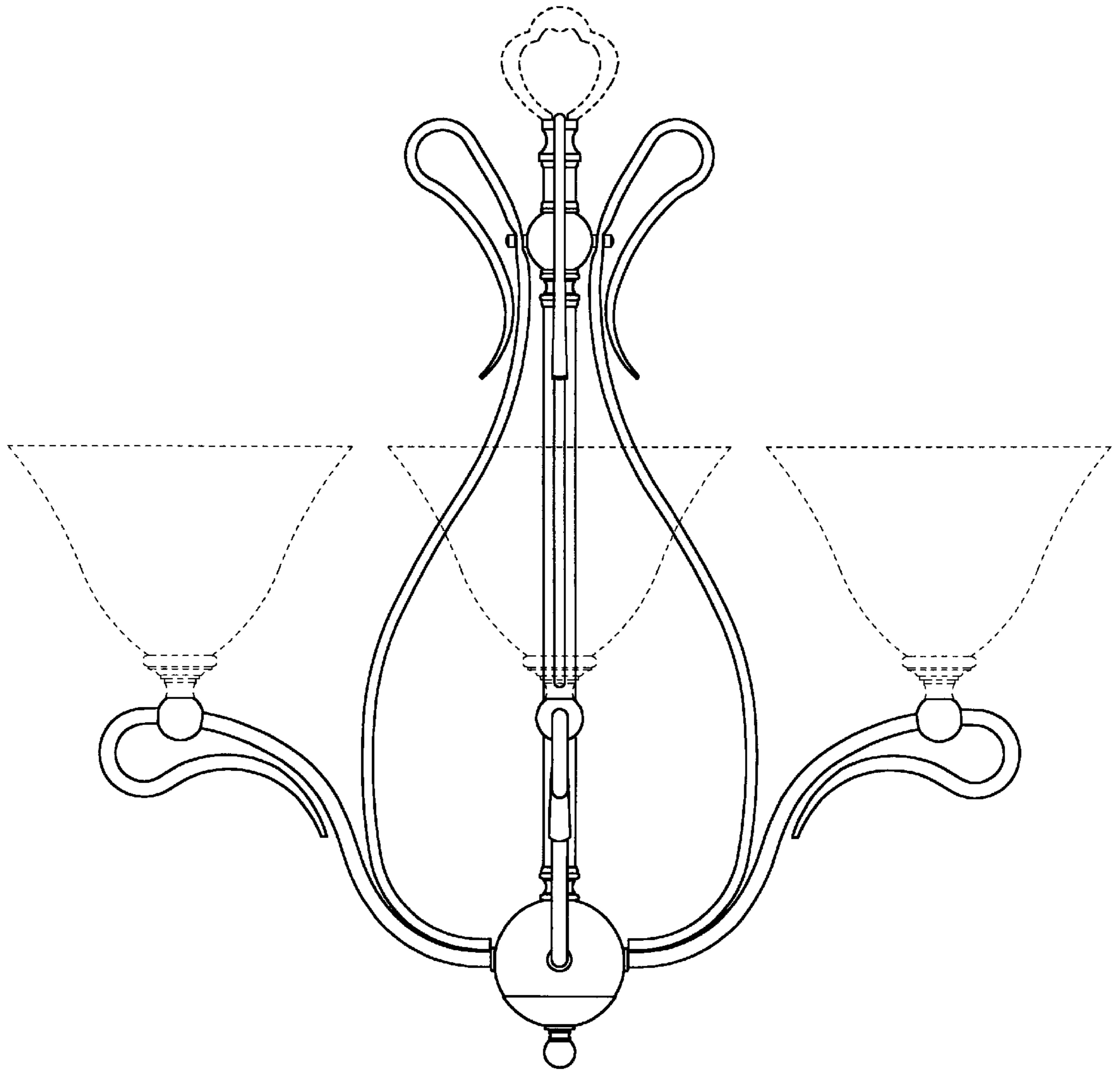


Fig.2

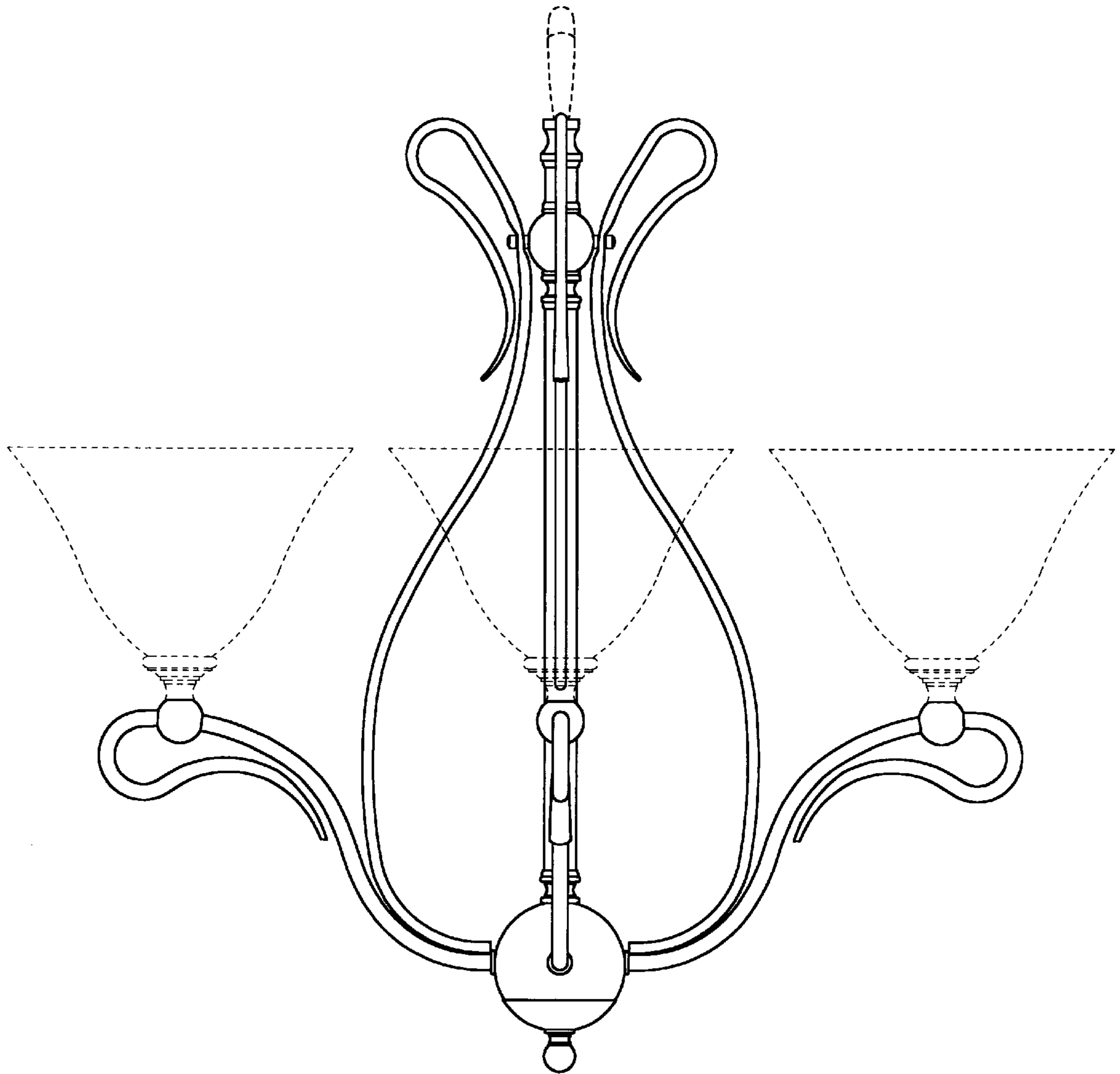


Fig.3

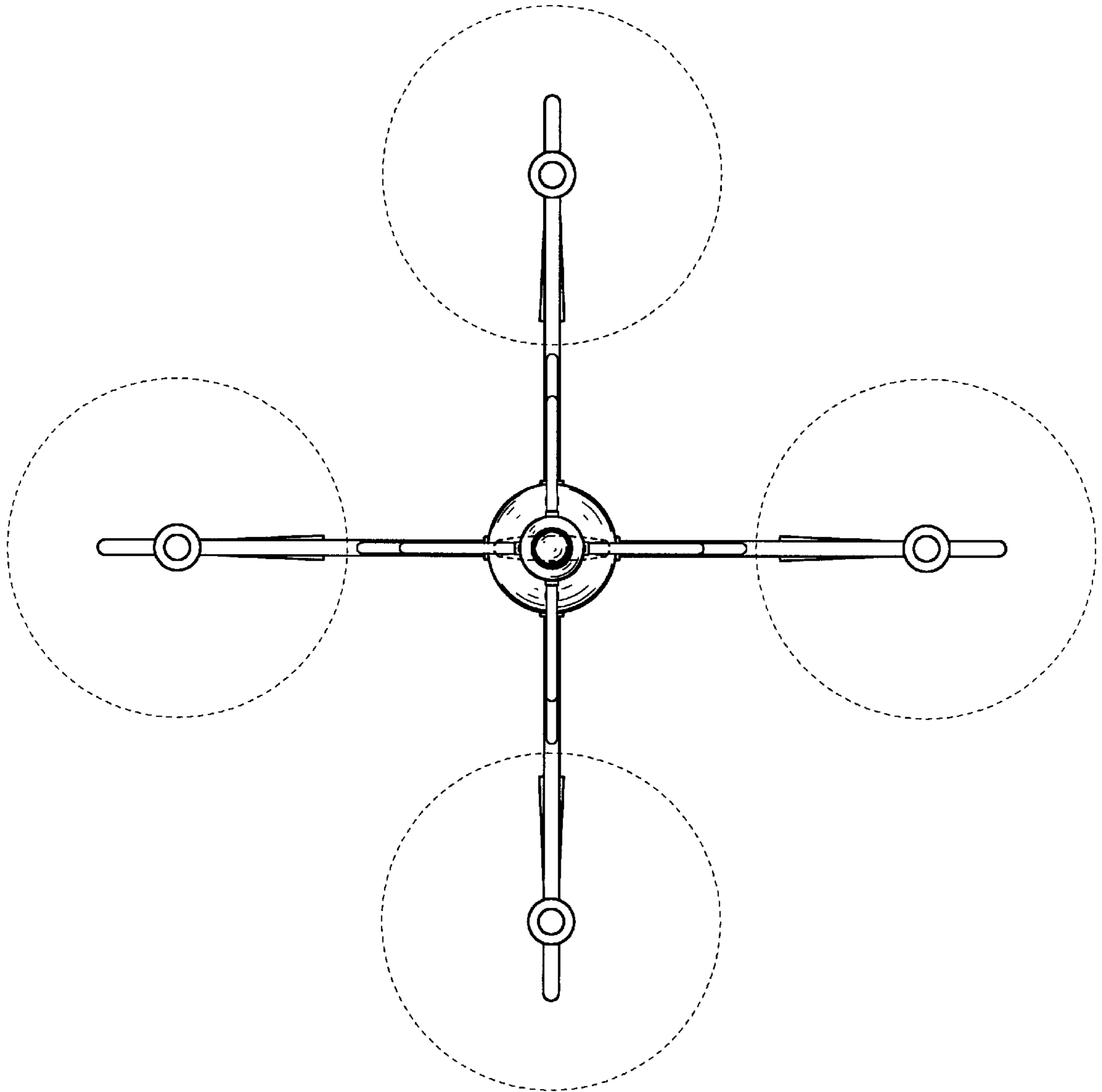


Fig.4

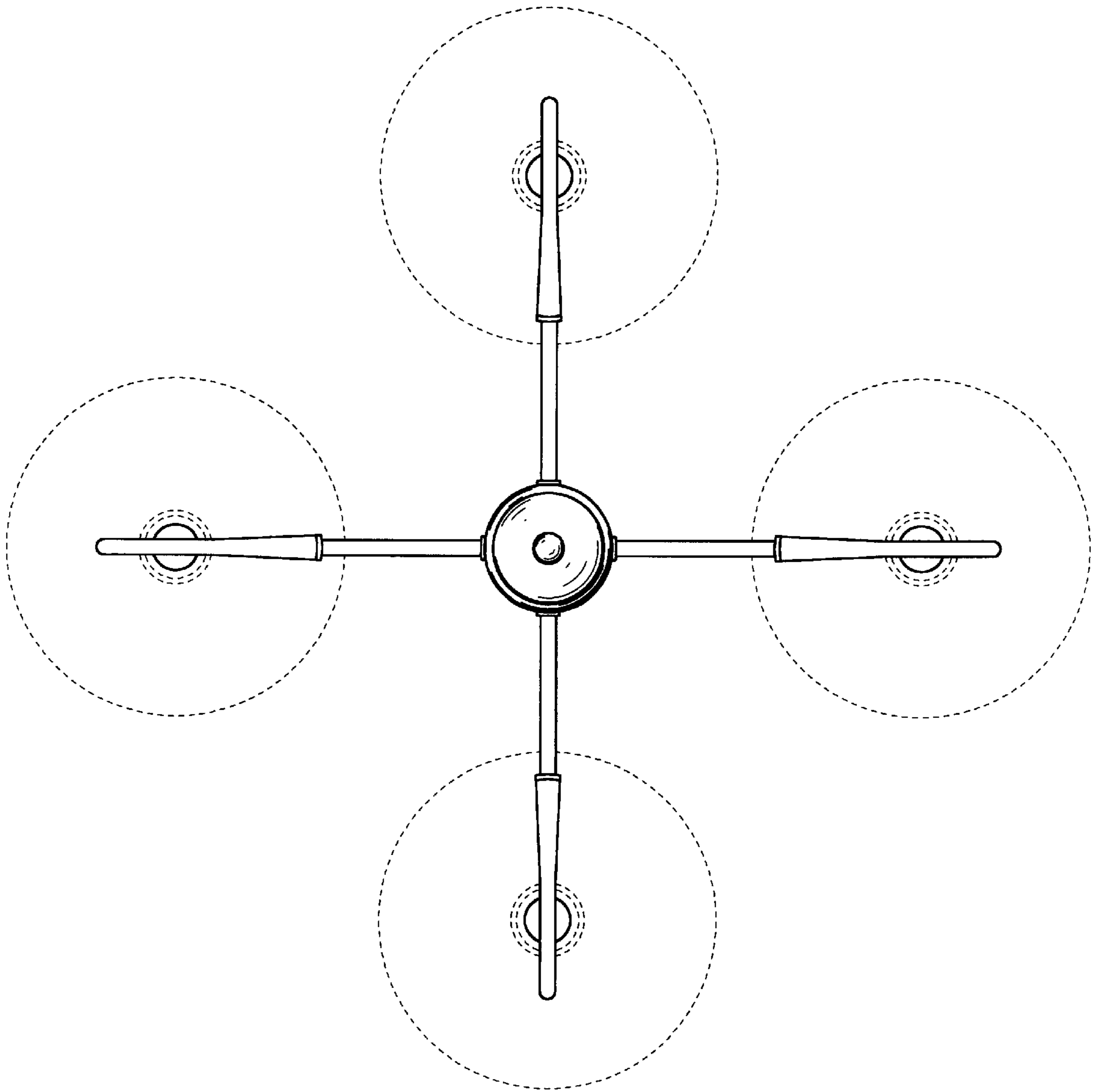


Fig.5

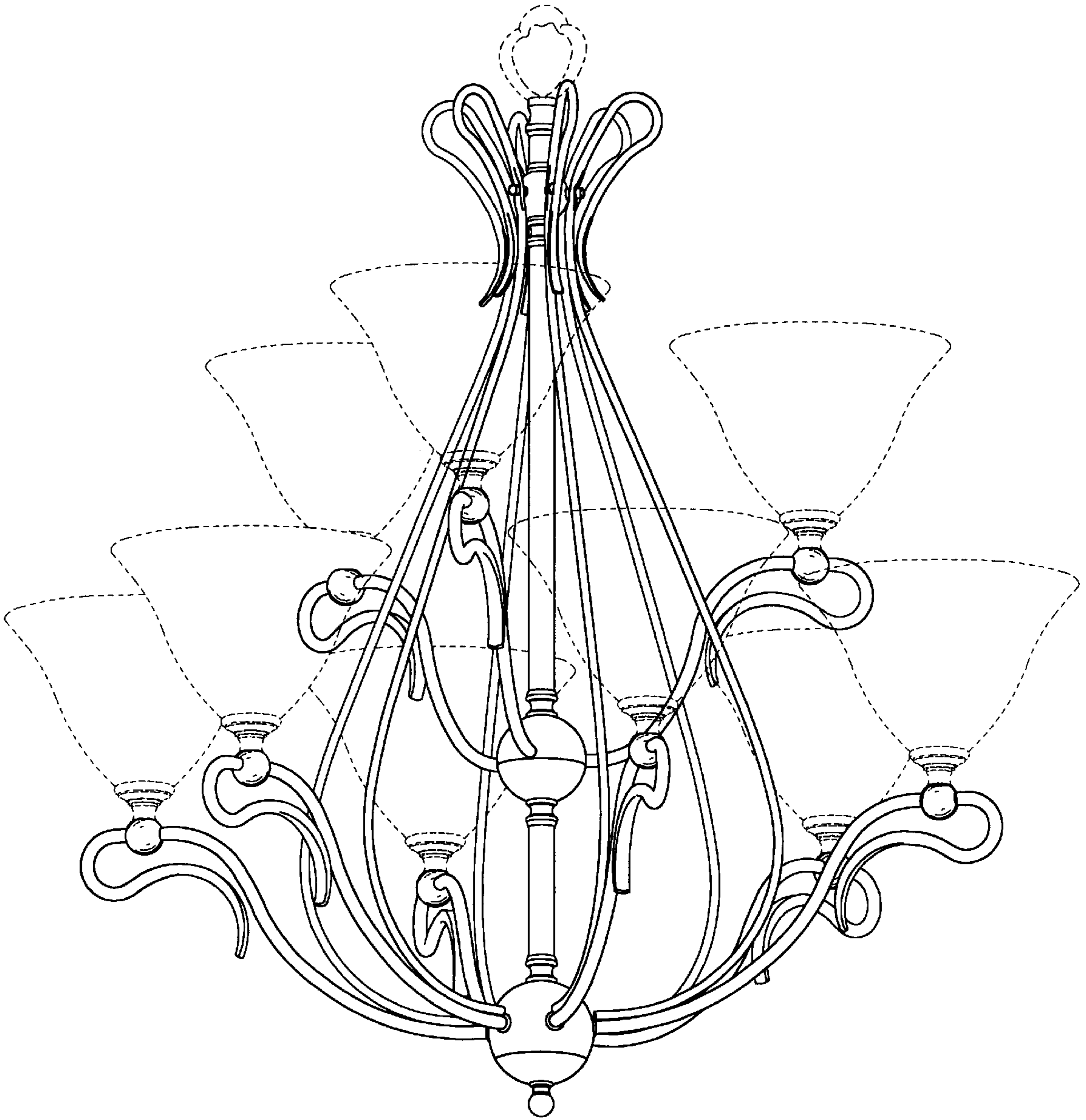


Fig.6

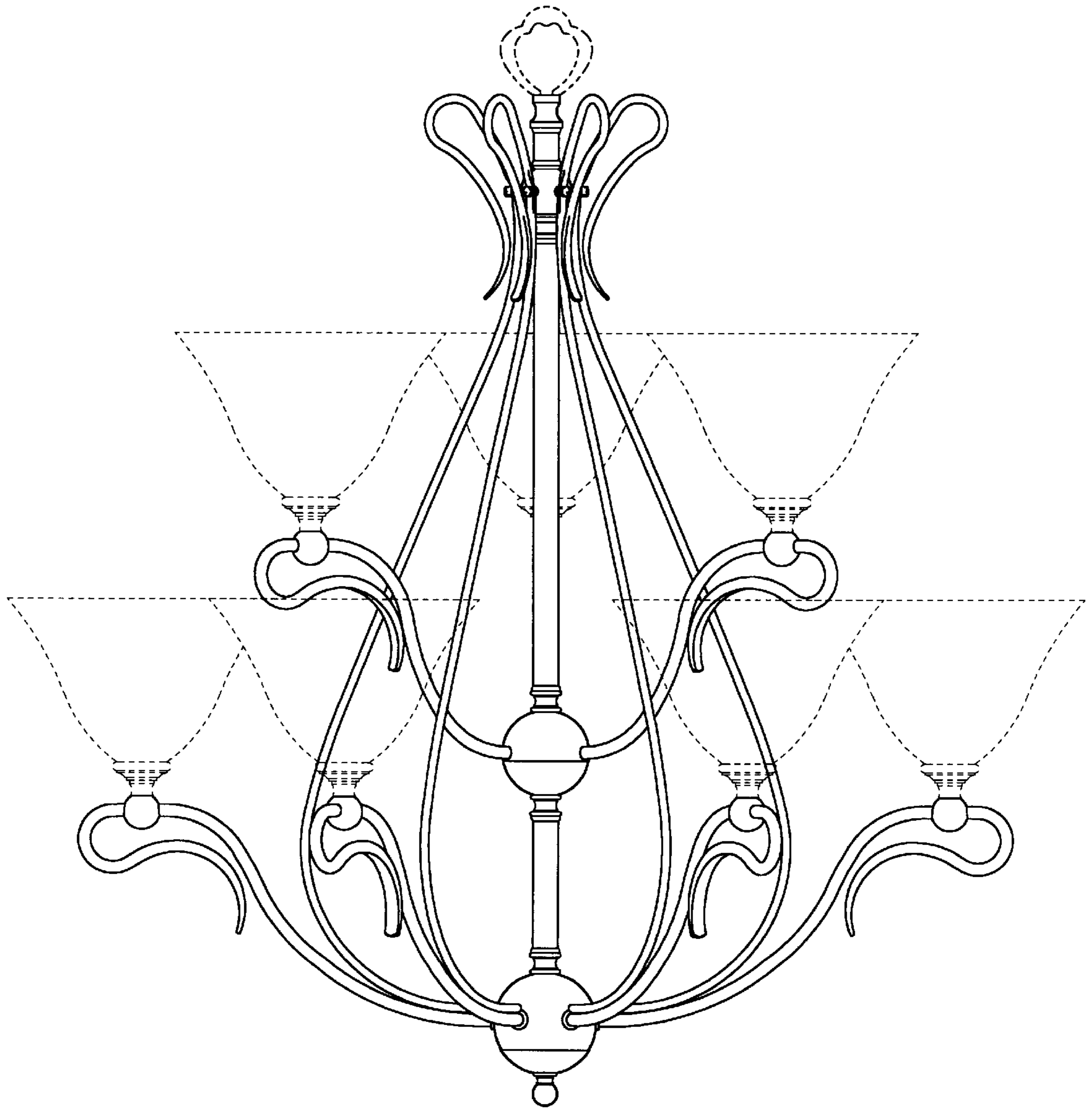


Fig.7

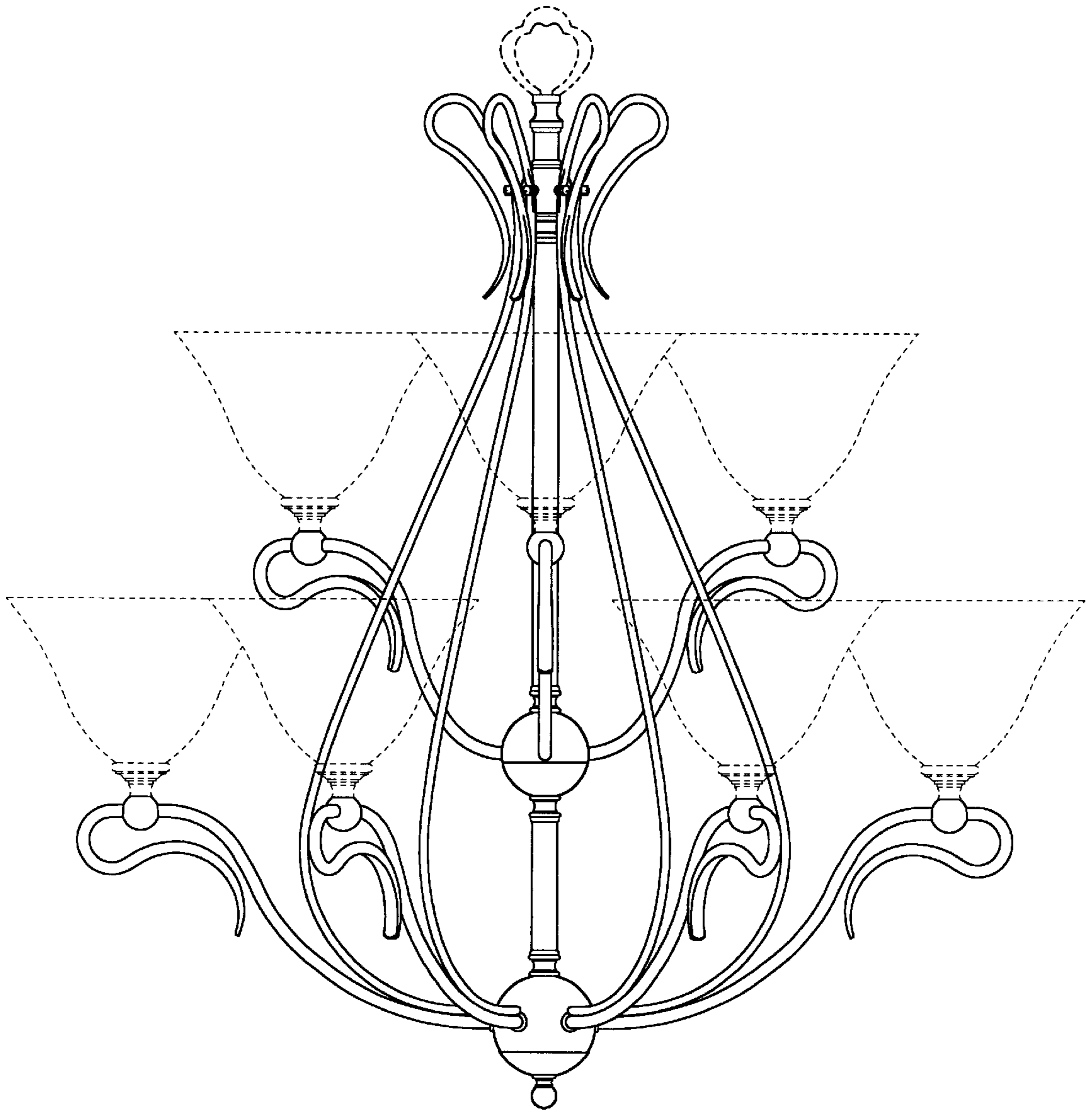


Fig.8

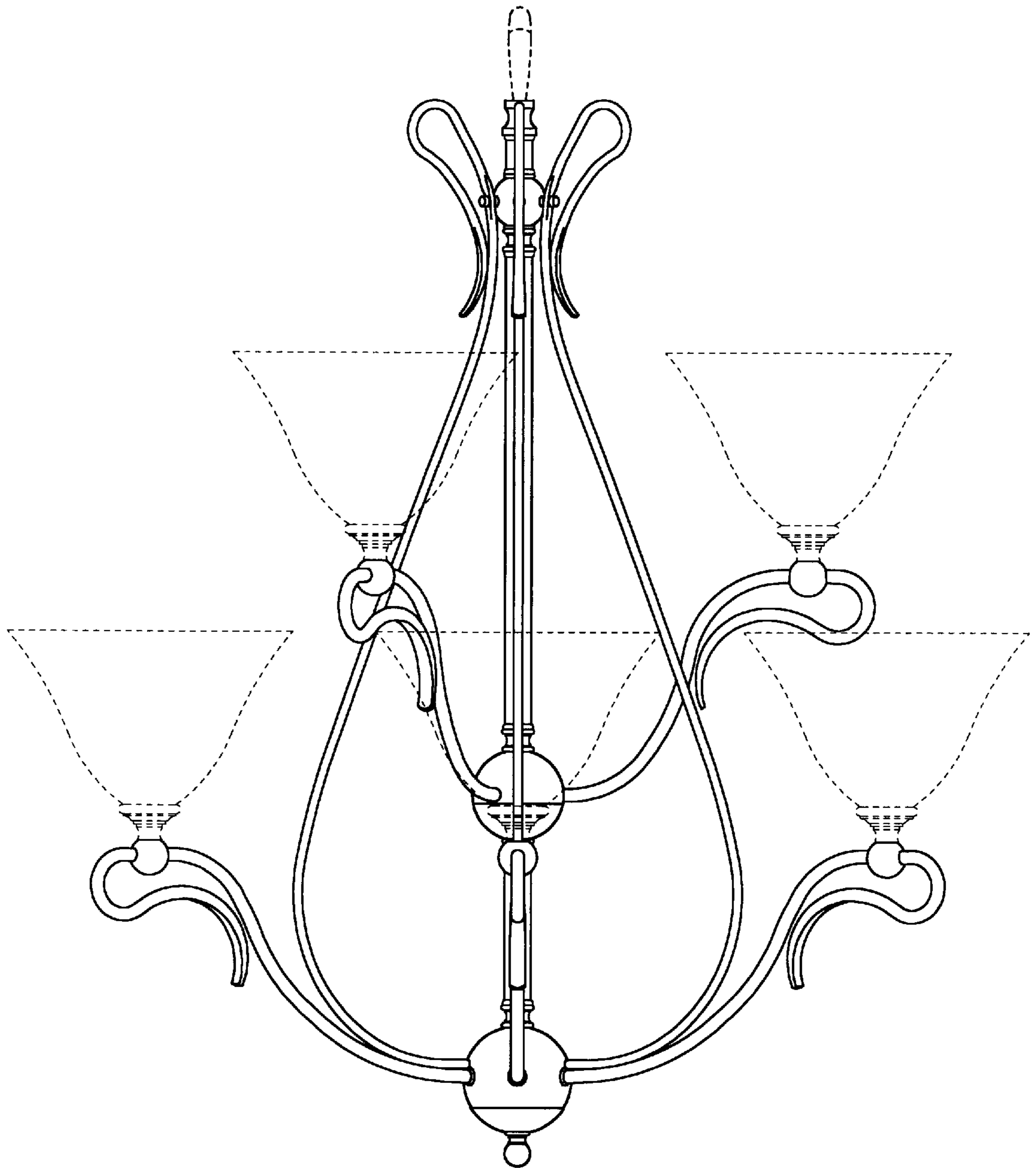


Fig.9

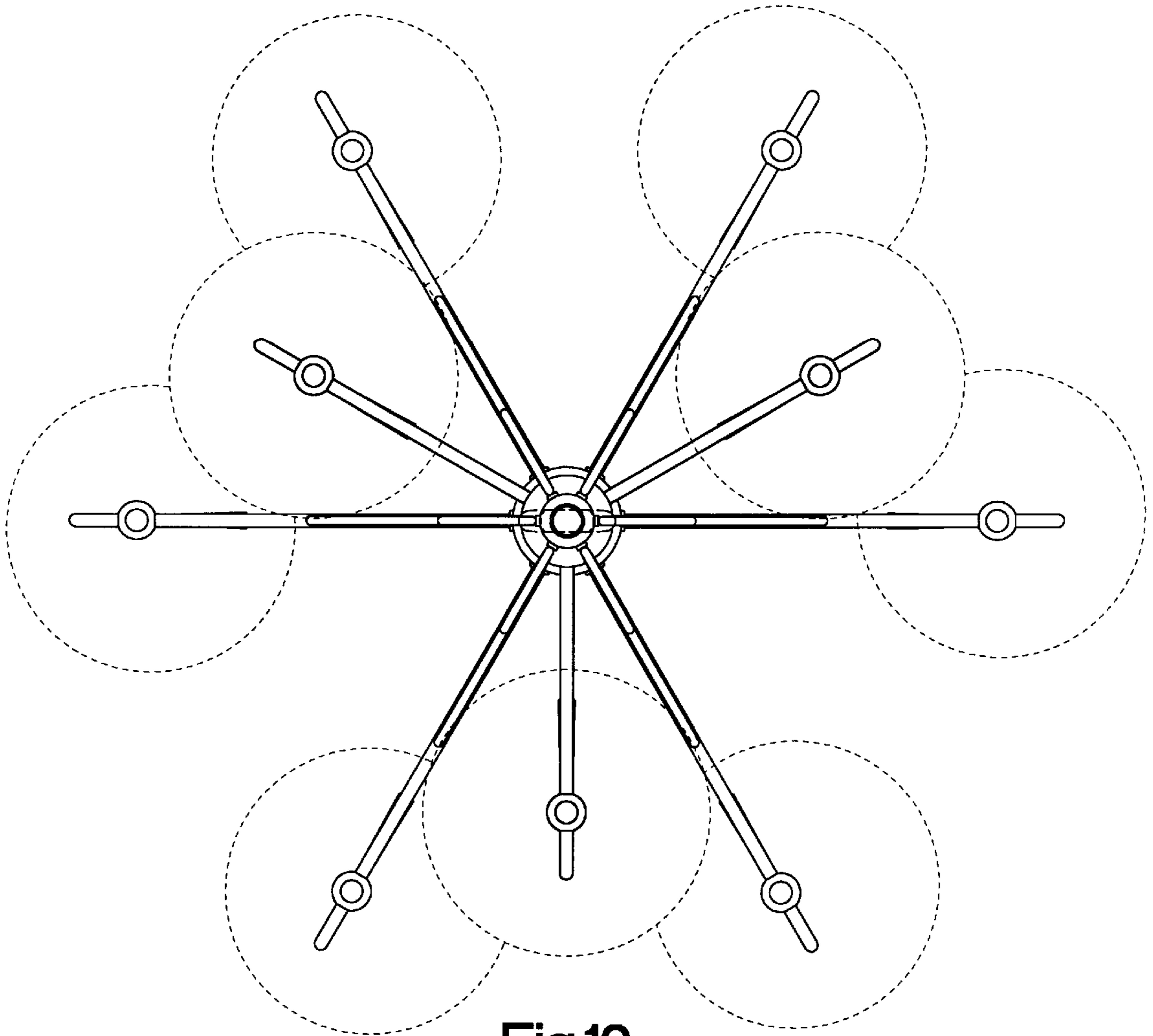


Fig.10

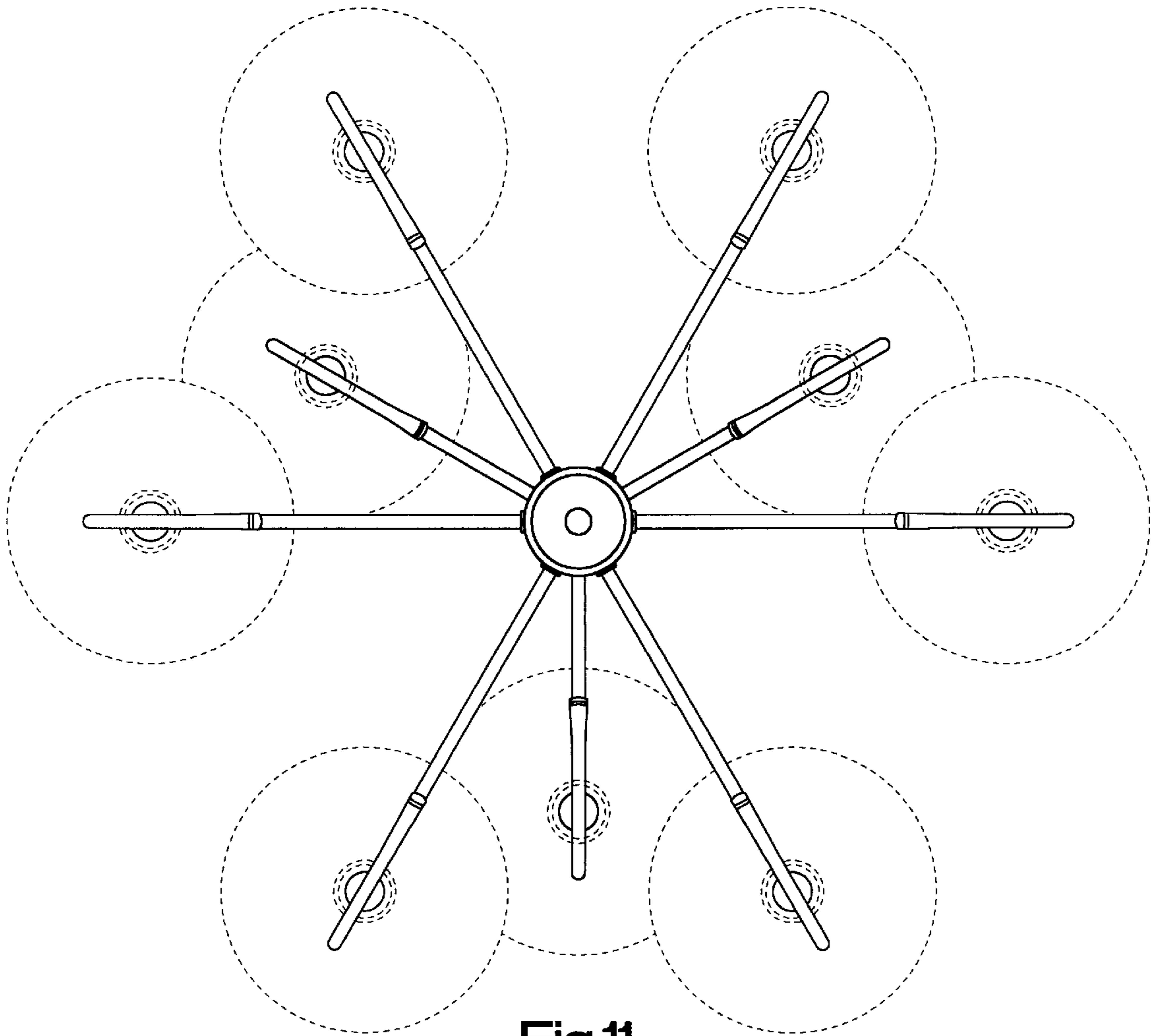


Fig.11