



US00D430691S

United States Patent [19]

[11] Patent Number: **Des. 430,691**

Von Kluck

[45] Date of Patent: **** Sep. 5, 2000**

[54] **CHANDELIER**

Attorney, Agent, or Firm—Watts, Hoffmann, Fisher & Heinke, Co., LPA

[75] Inventor: **Kevin Von Kluck**, Hudson, Ohio

[57] CLAIM

[73] Assignee: **The L. D. Kichler Co.**, Cleveland, Ohio

I claim the ornamental design for a chandelier, as shown and described.

[**] Term: **14 Years**

DESCRIPTION

[21] Appl. No.: **29/100,922**

FIG. 1 is a perspective view of a chandelier showing my new design;

[22] Filed: **Feb. 22, 1999**

FIG. 2 is a front elevational view of the chandelier, the rear elevational view being identical;

[51] **LOC (7) Cl.** **26-05**

FIG. 3 is a right side elevational view of the chandelier, the left side elevational view being identical;

[52] **U.S. Cl.** **D26/85**

FIG. 4 is a top plan view of the chandelier;

[58] **Field of Search** D26/72, 80-92;
362/404-408, 147

FIG. 5 is a bottom plan view of the chandelier;

[56] References Cited

FIG. 6 is a perspective view of the second embodiment of a chandelier showing my new design;

U.S. PATENT DOCUMENTS

FIG. 7 is a front elevational view of the chandelier, the rear elevational view being a mirror image;

D. 384,432 9/1997 Octavio D26/84

FIG. 8 is a left side elevational view of the chandelier;

D. 417,523 12/1999 Von Kluck D26/144

FIG. 9 is a right side elevational view of the chandelier;

OTHER PUBLICATIONS

FIG. 10 is a top plan view of the chandelier; and,

Progress lighting catalog, 1990, p. 13, chandelier # TC4103-10.

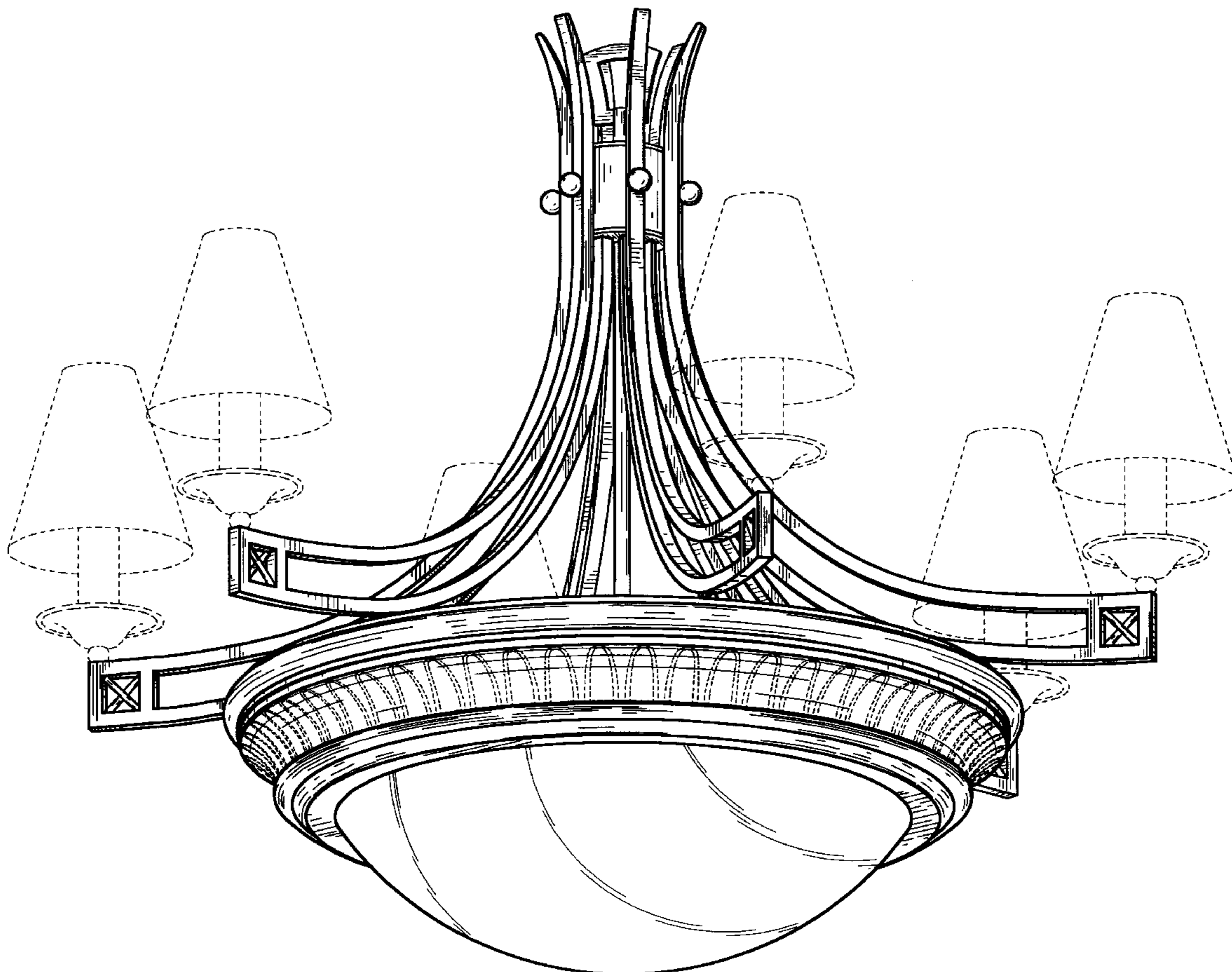
FIG. 11 is a bottom plan view of the chandelier.

Quoizel lighting catalog, 1997, p. 23, chandelier # QG12115GA.

The broken lines shown are for illustrative purposes only and form no part of the claimed design.

Primary Examiner—Susan J. Lucas

1 Claim, 11 Drawing Sheets



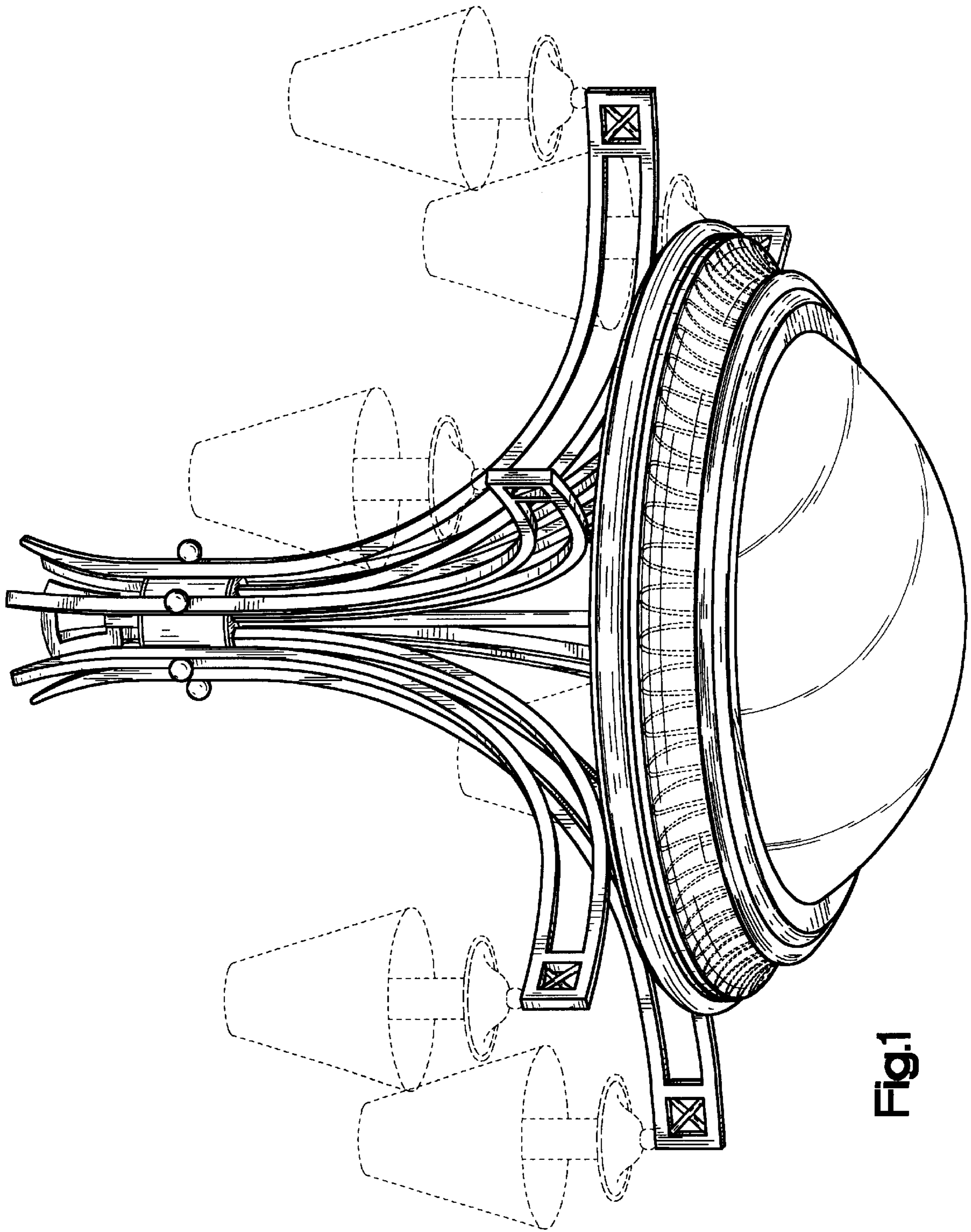


Fig.1

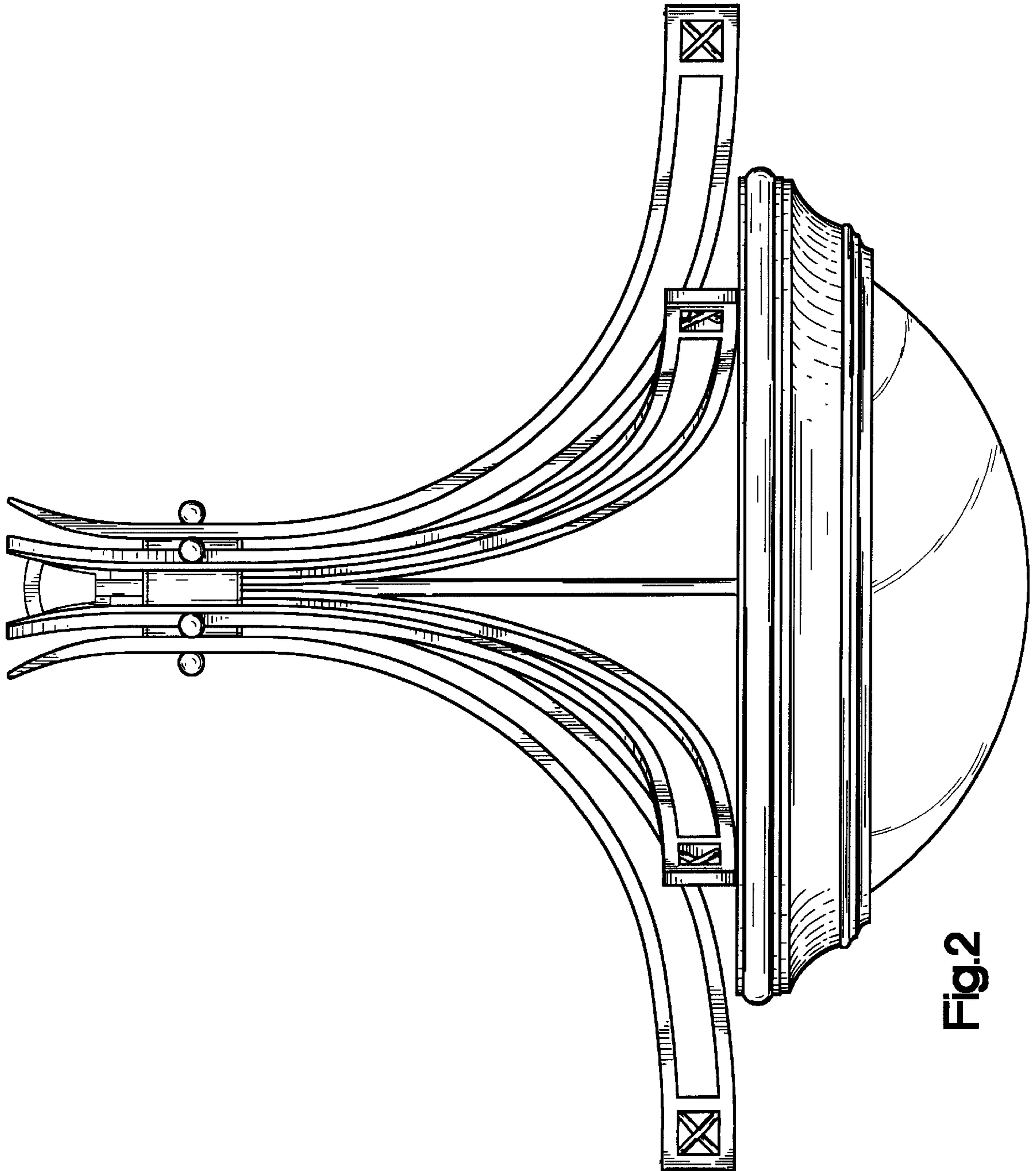


Fig. 2

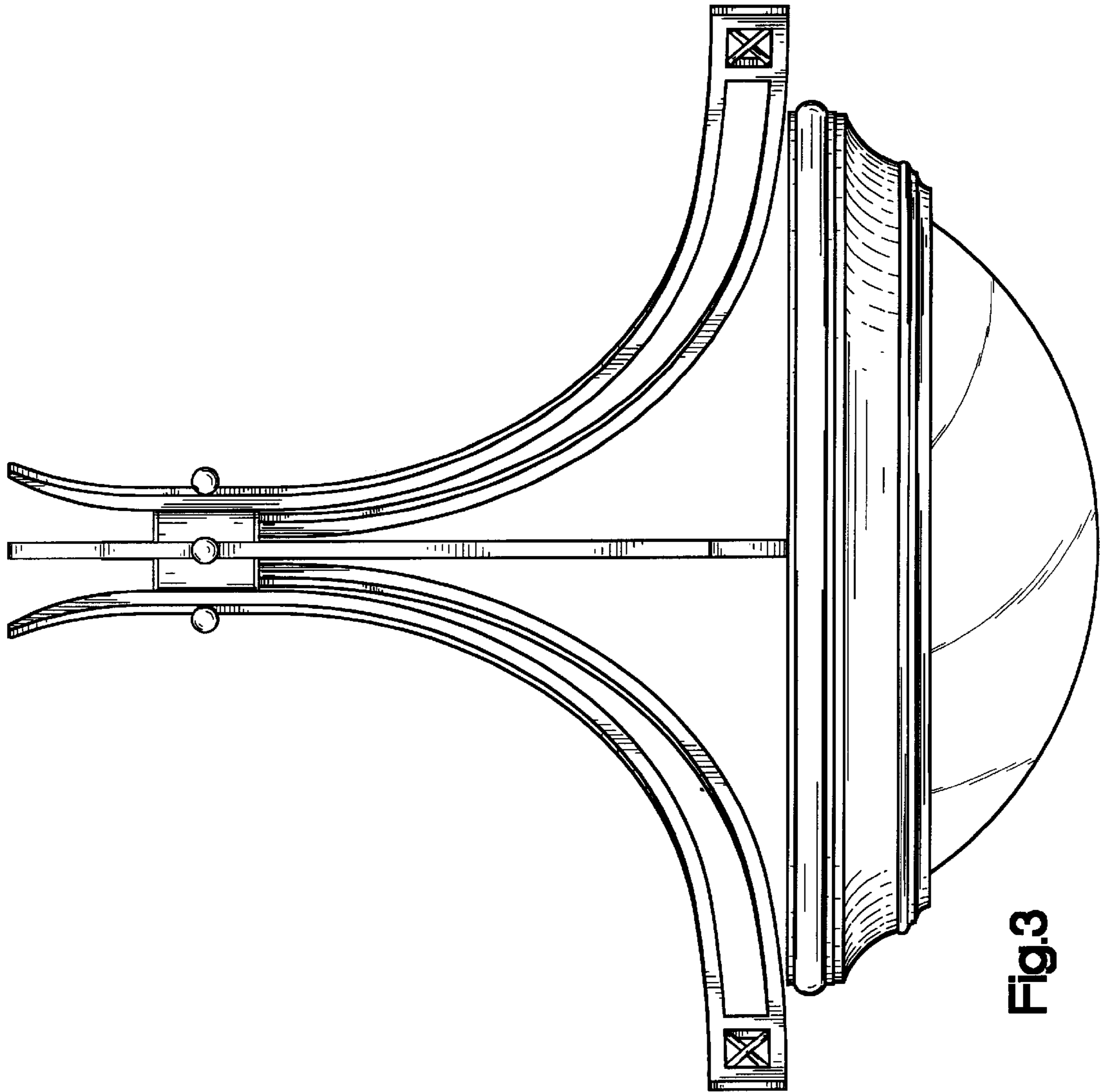


Fig.3

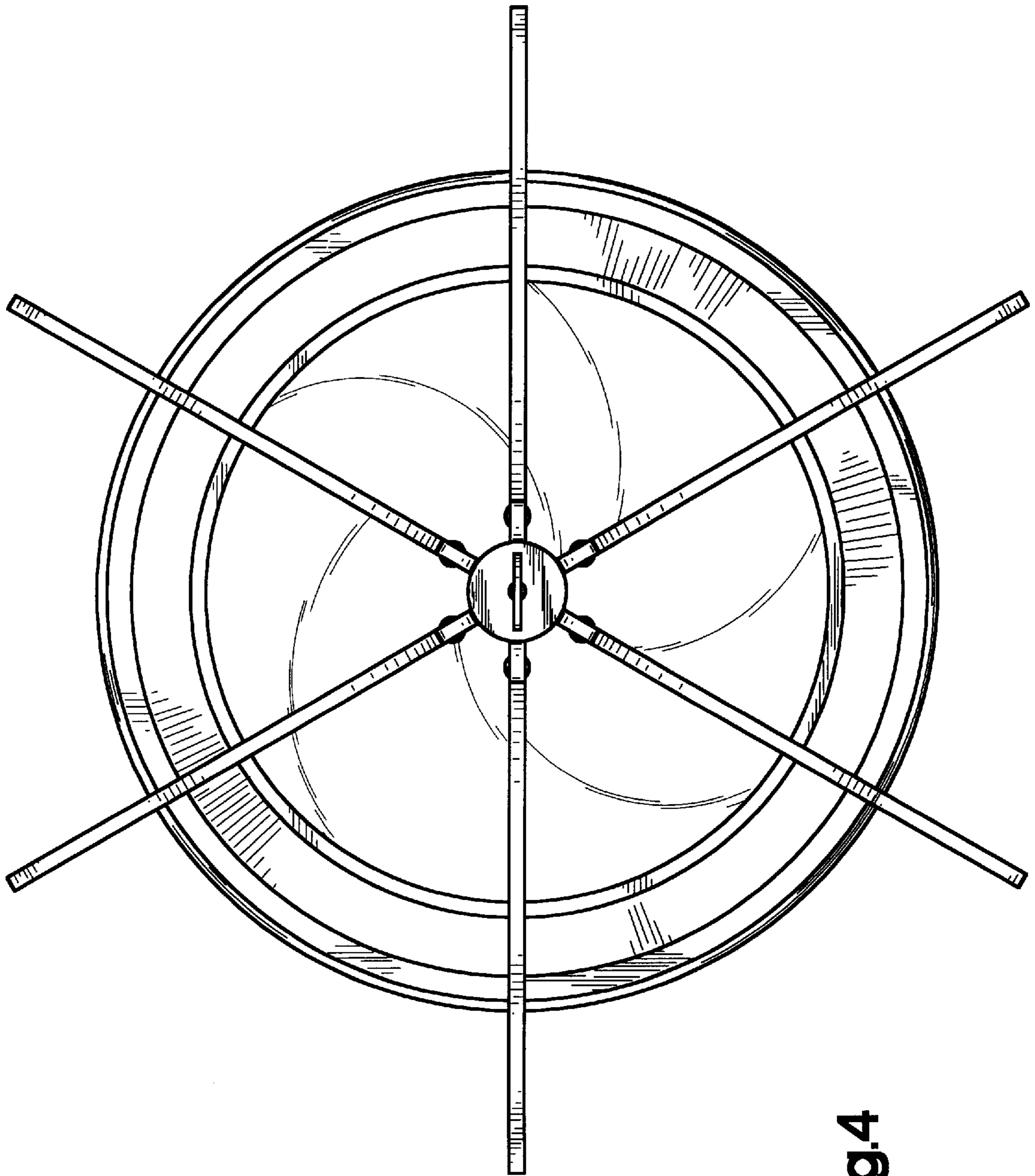


Fig.4

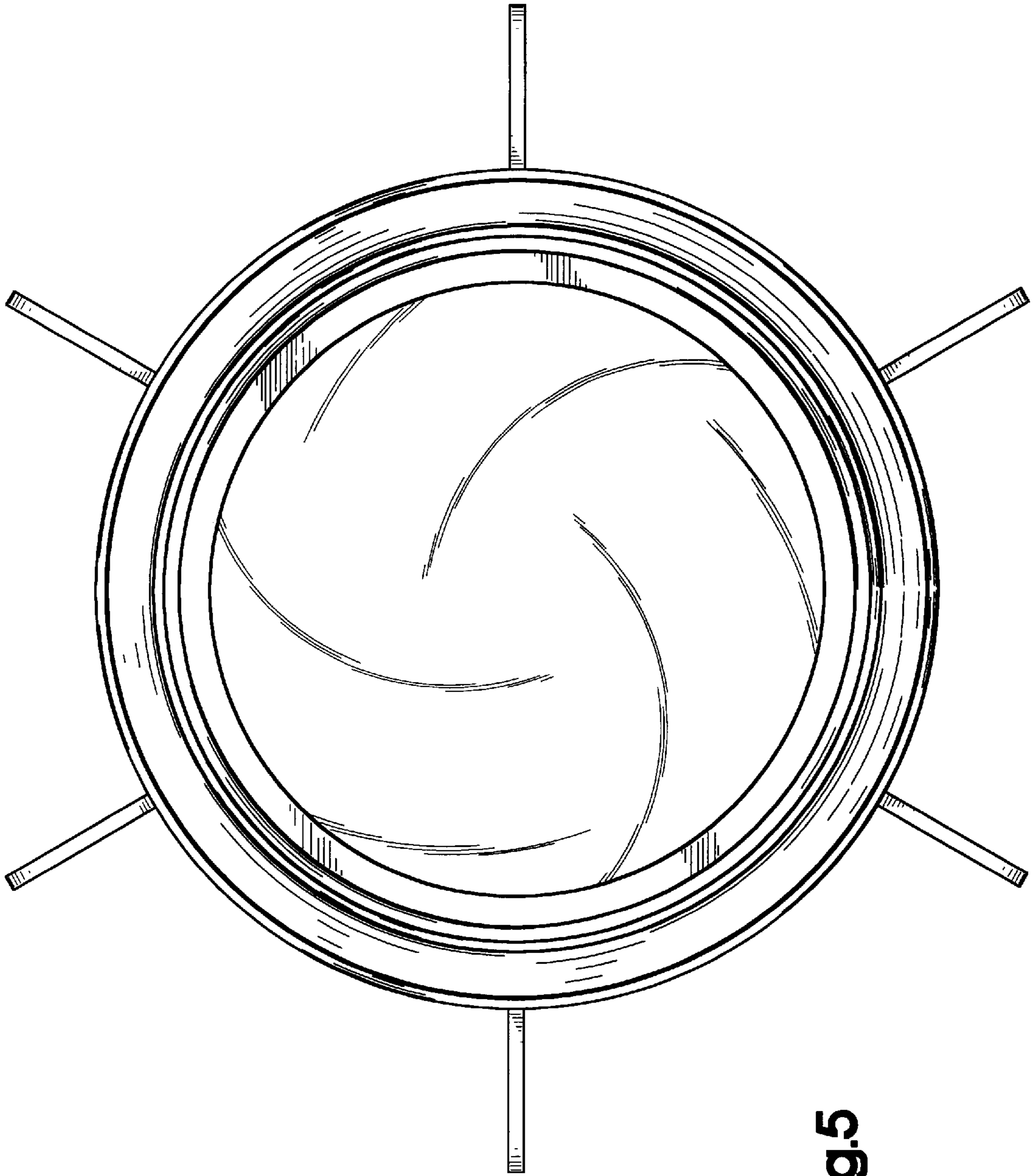


Fig.5

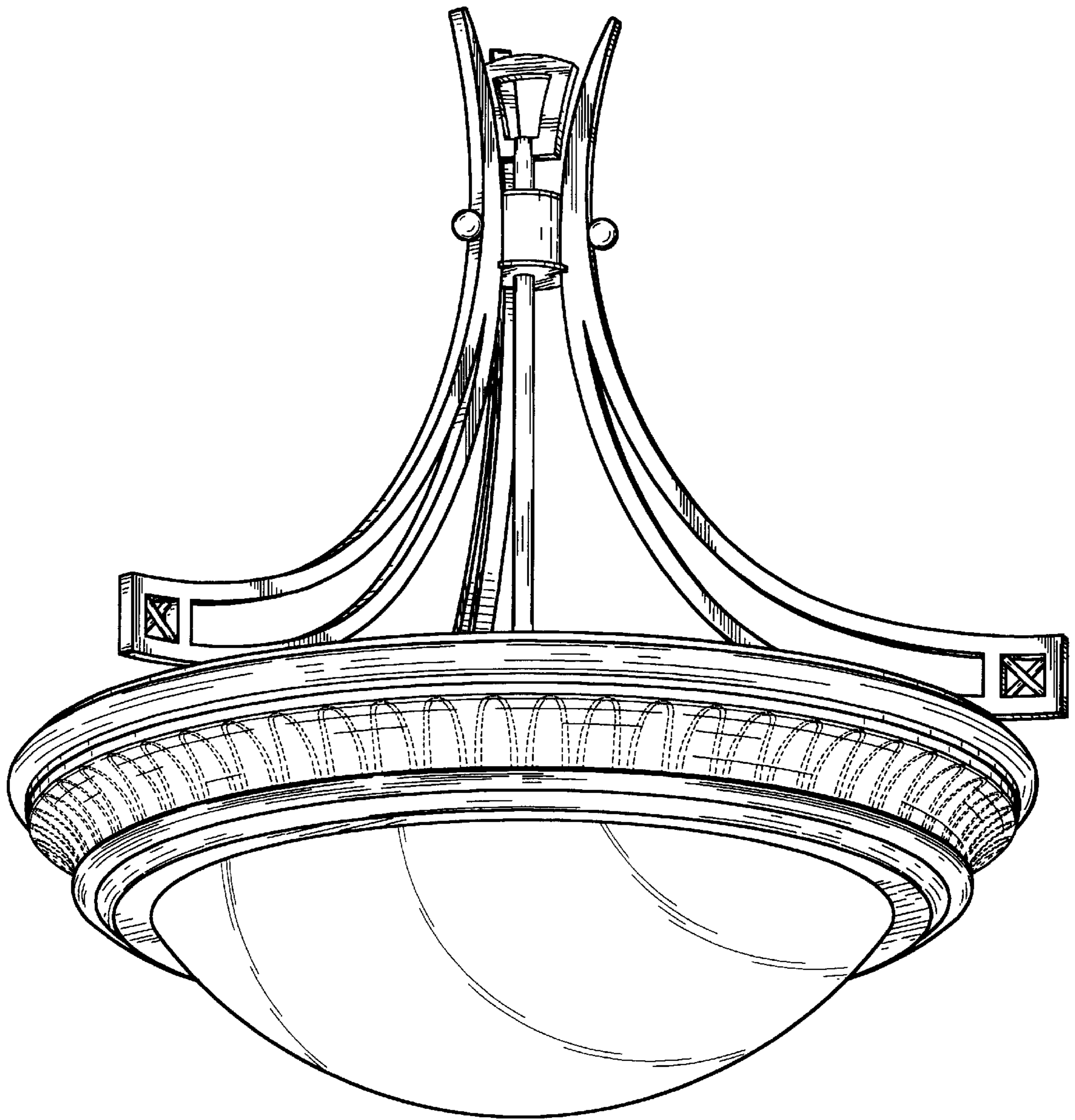


Fig.6

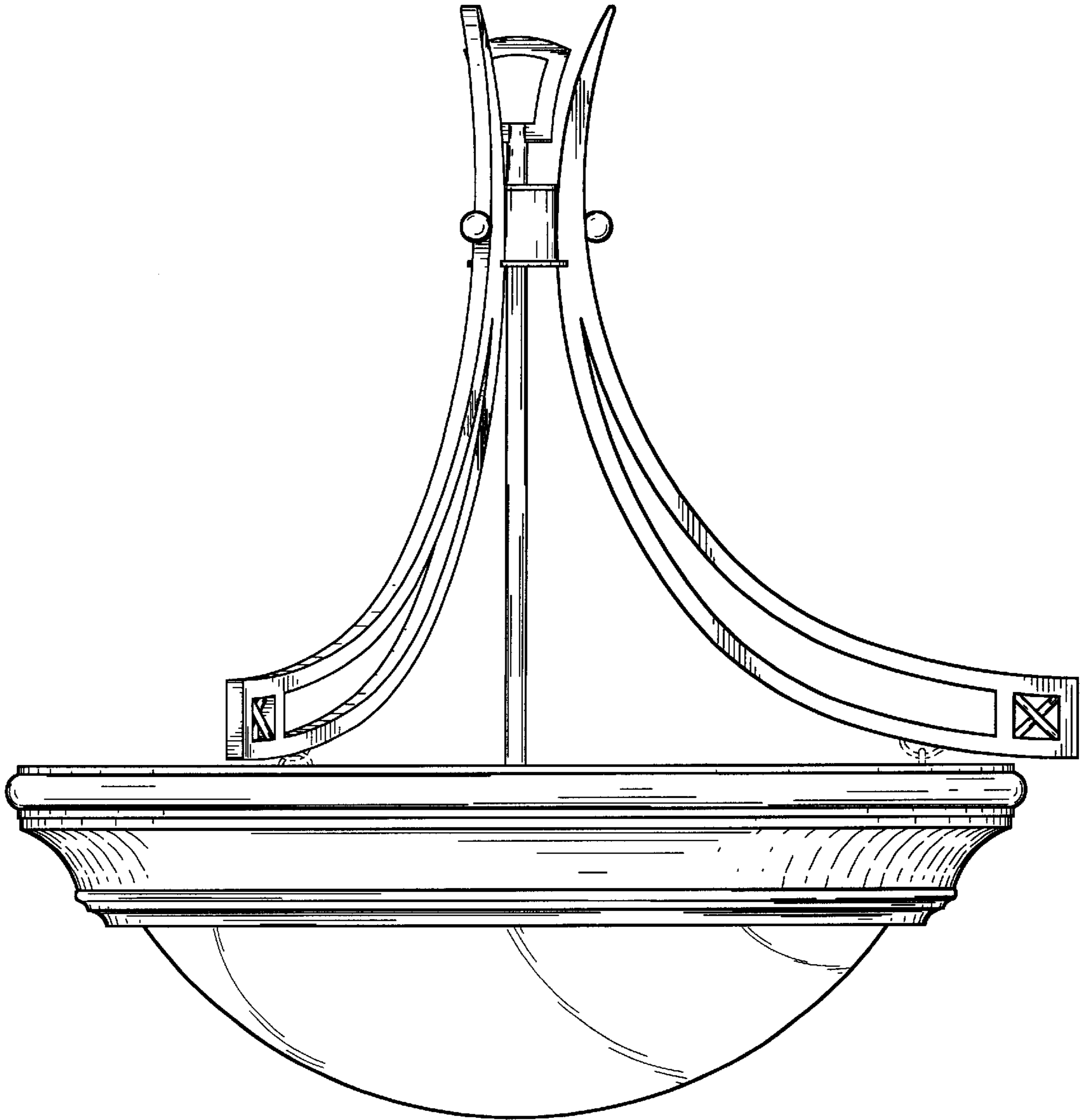


Fig.7

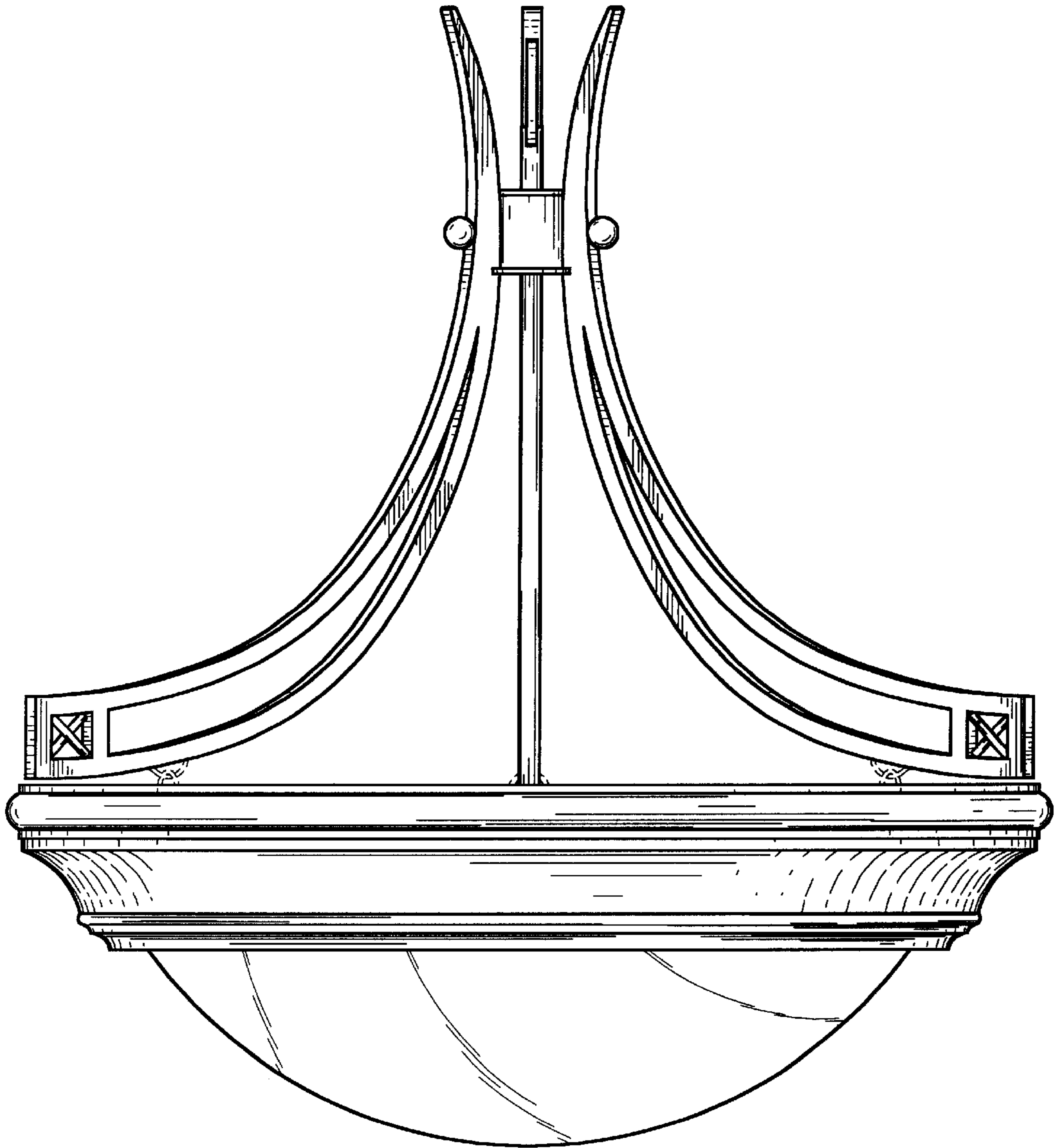


Fig.8

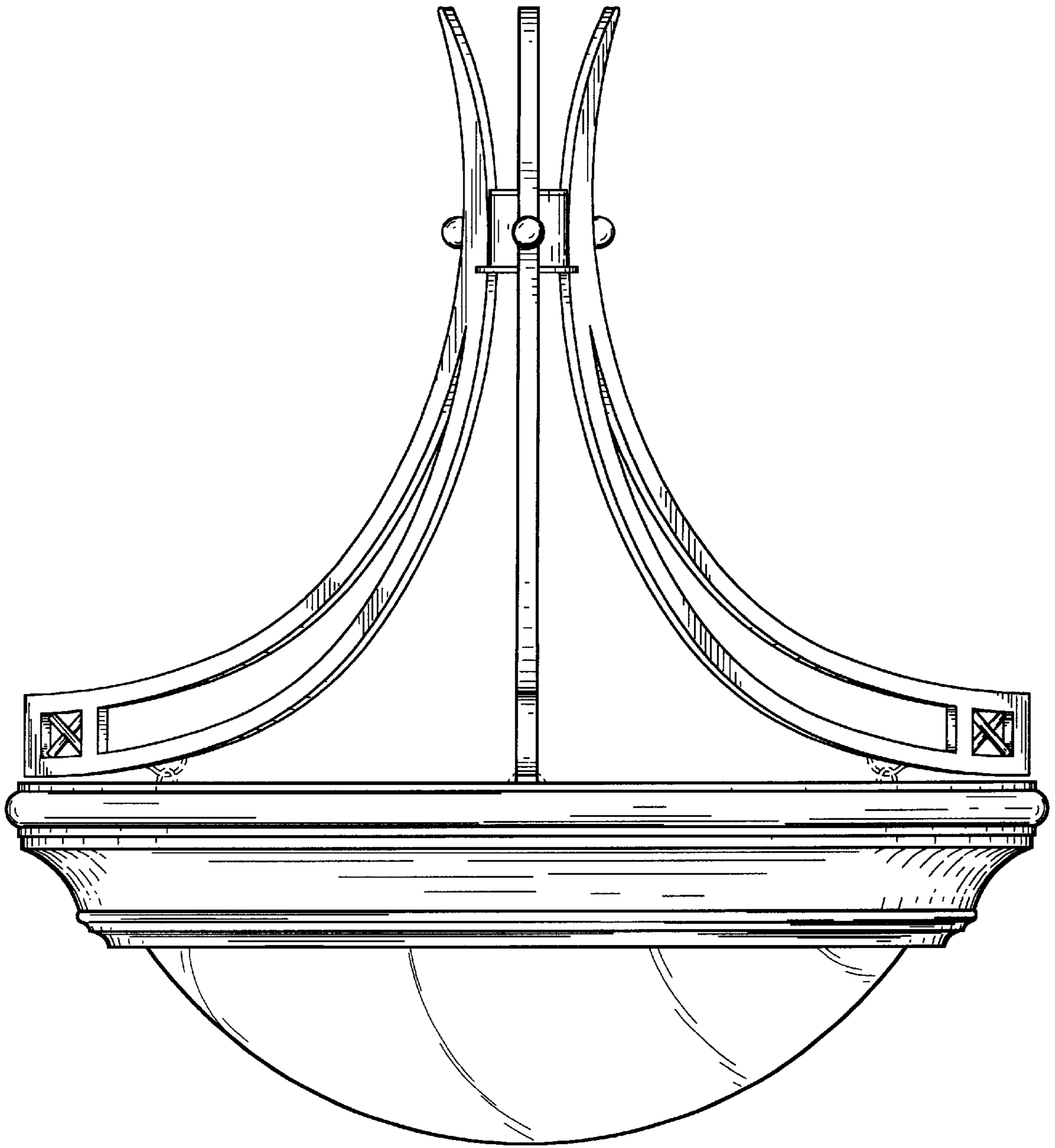


Fig.9

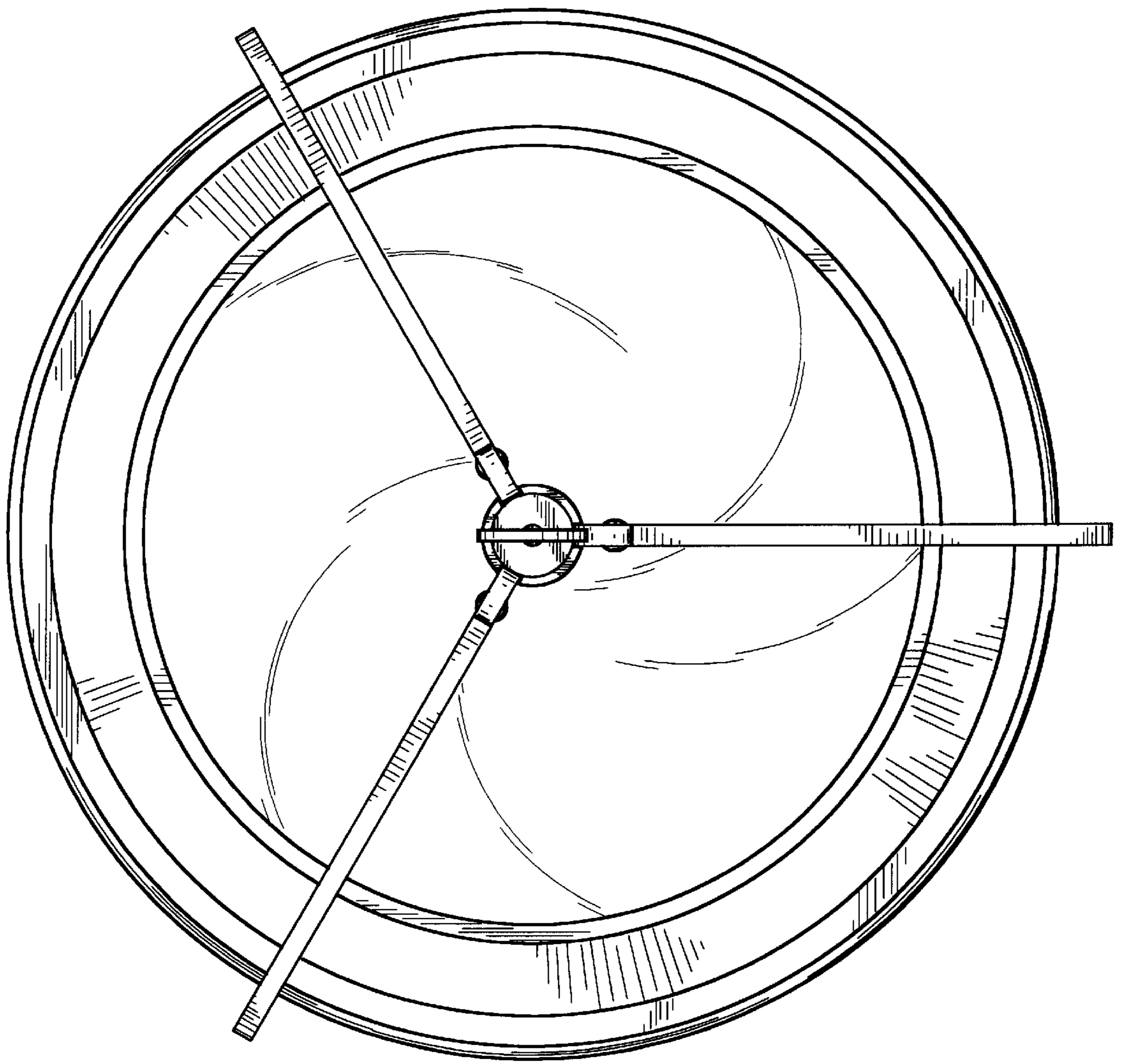


Fig.10

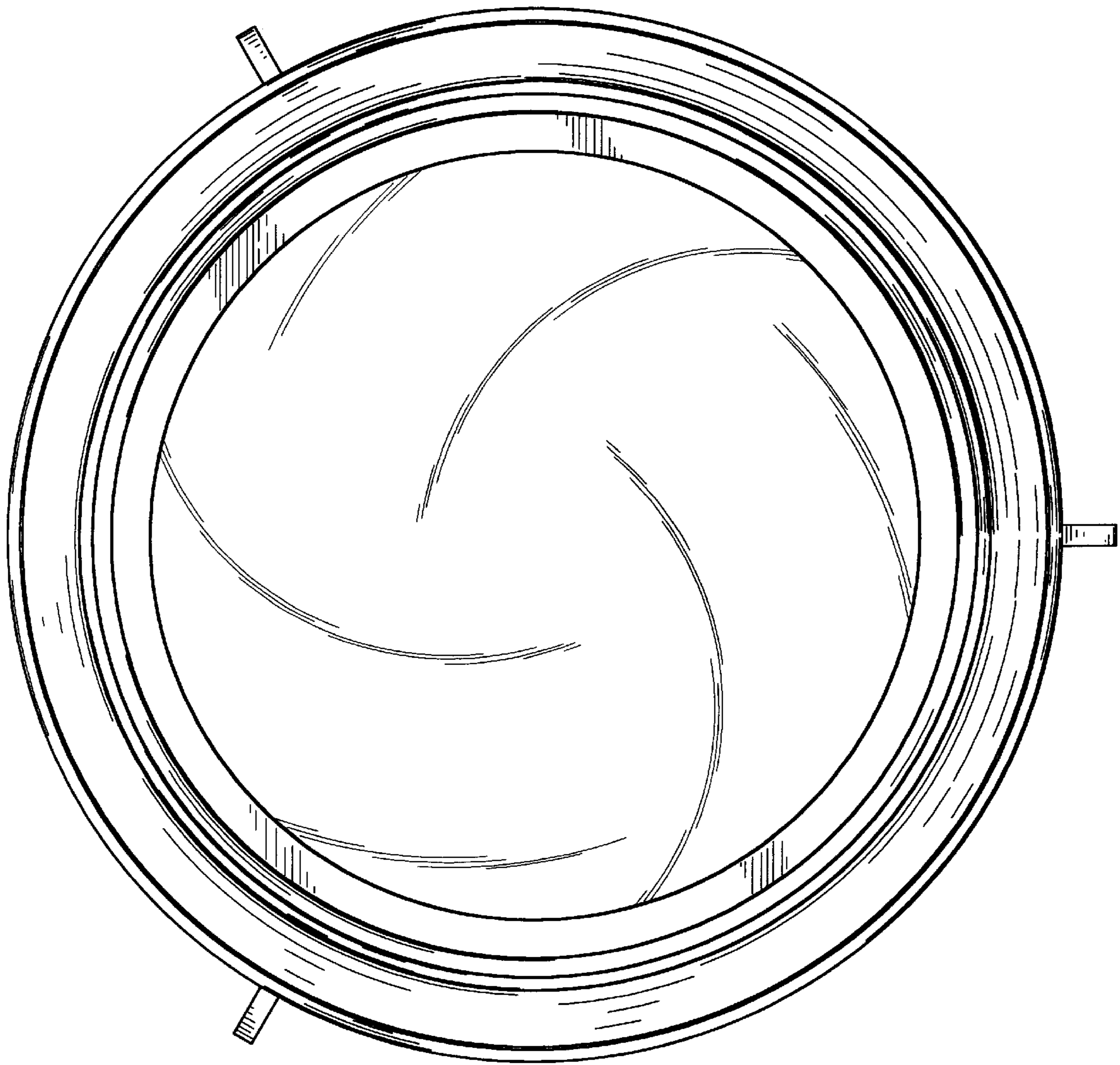


Fig.11