



US00D430689S

United States Patent [19]
Chiang

[11] **Patent Number: Des. 430,689**

[45] **Date of Patent: ** Sep. 5, 2000**

[54] **CHANDELIER**

[76] Inventor: **Thomas Chiang**, 28 W. 335 Picardy Ct., Winfield, Ill. 60190

[**] Term: **14 Years**

[21] Appl. No.: **29/096,372**

[22] Filed: **Nov. 12, 1998**

[51] **LOC (7) Cl.** **26-05**

[52] **U.S. Cl.** **D26/80**

[58] **Field of Search** D26/72, 80-92,
D26/142, 143, 144, 145, 155; 362/432,
147

[56] **References Cited**

PUBLICATIONS

Forecast lighting catalog, p. 32, chandelier #150-16, Jan. 1993.

Progress lighting catalog, p. 21, chandelier, #P4072-10, Jul. 1994.

Primary Examiner—Susan J. Lucas
Attorney, Agent, or Firm—Robert L. Marsh

[57] **CLAIM**

The ornamental design for a chandelier, as shown and described.

DESCRIPTION

FIG. 1 is a front elevational view of a new design for a chandelier;

FIG. 2 is a top view thereof,

FIG. 3 is a right side elevational view thereof;

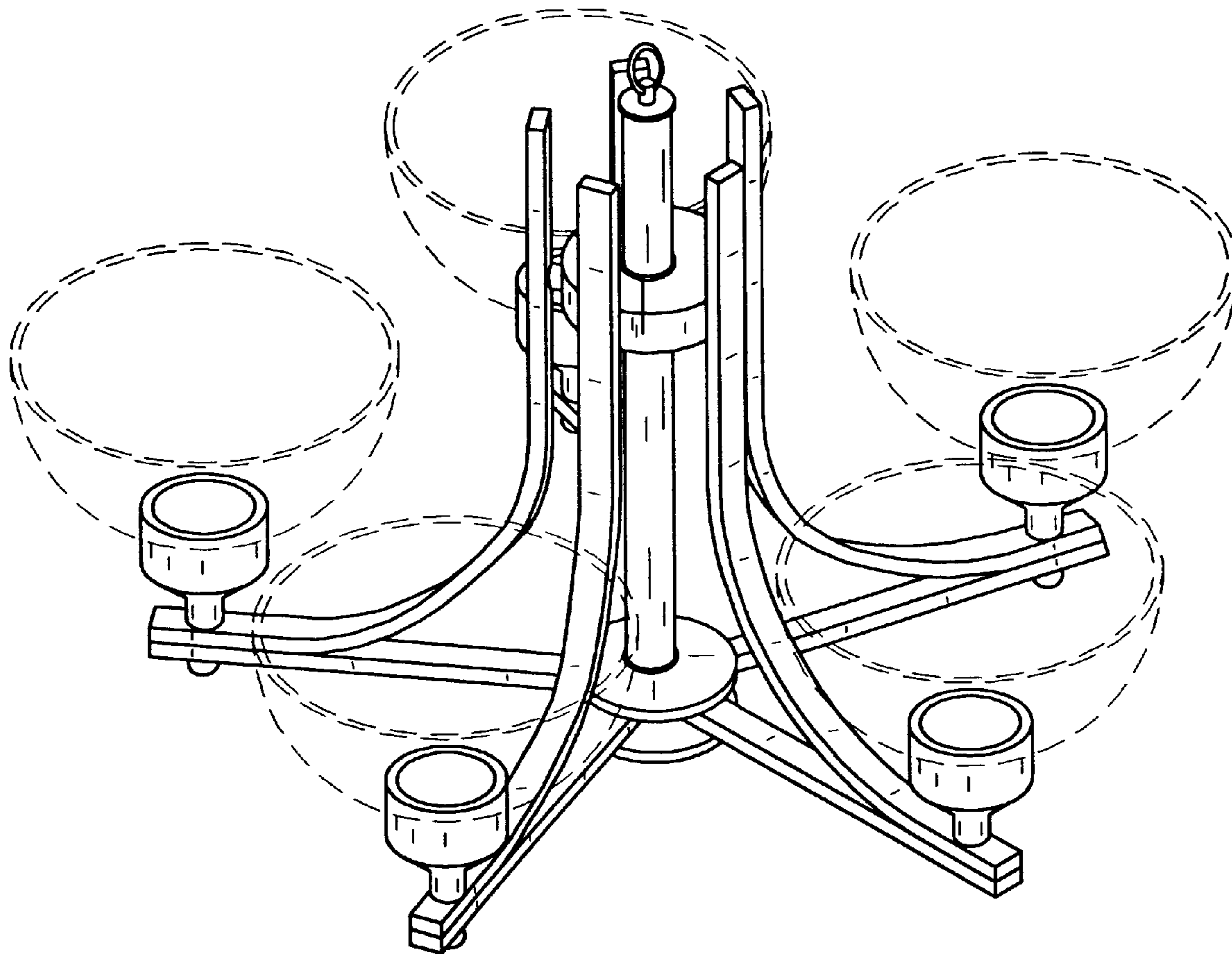
FIG. 4 is a rear elevational view thereof;

FIG. 5 is a bottom view thereof;

FIG. 6 is a left elevational view thereof; and,

FIG. 7 is a perspective view thereof.

1 Claim, 3 Drawing Sheets



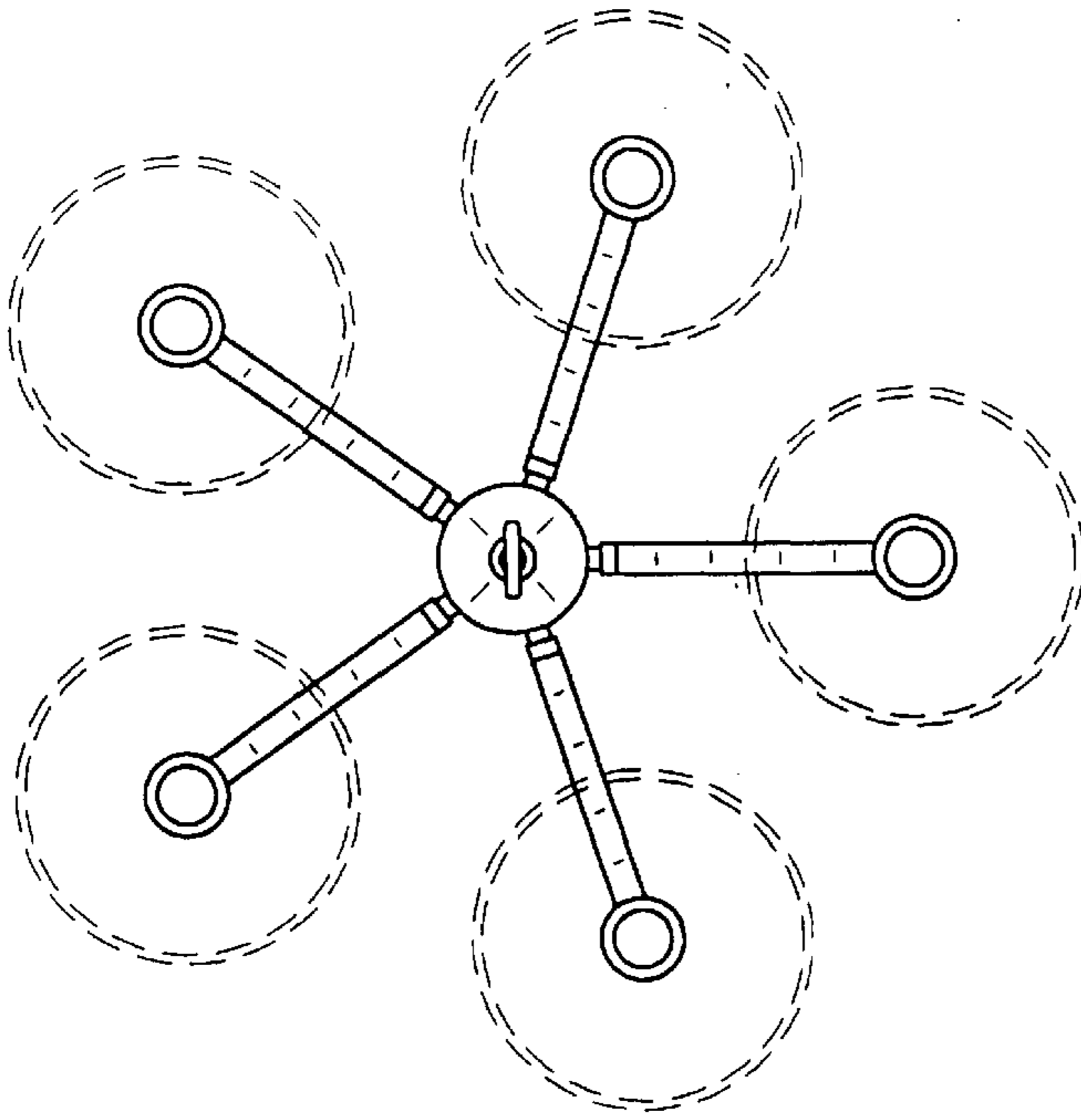


FIG. 2

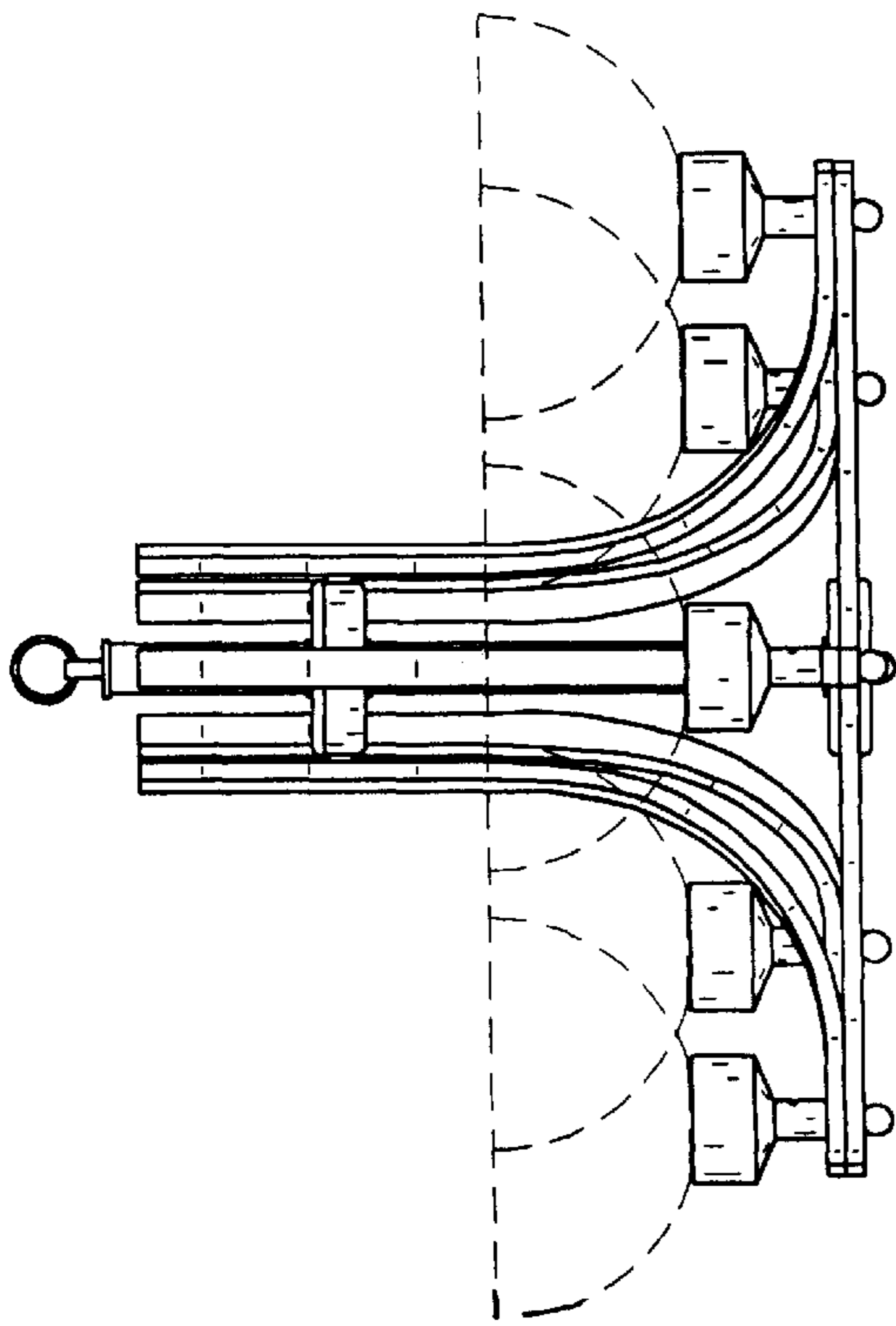


FIG. 1

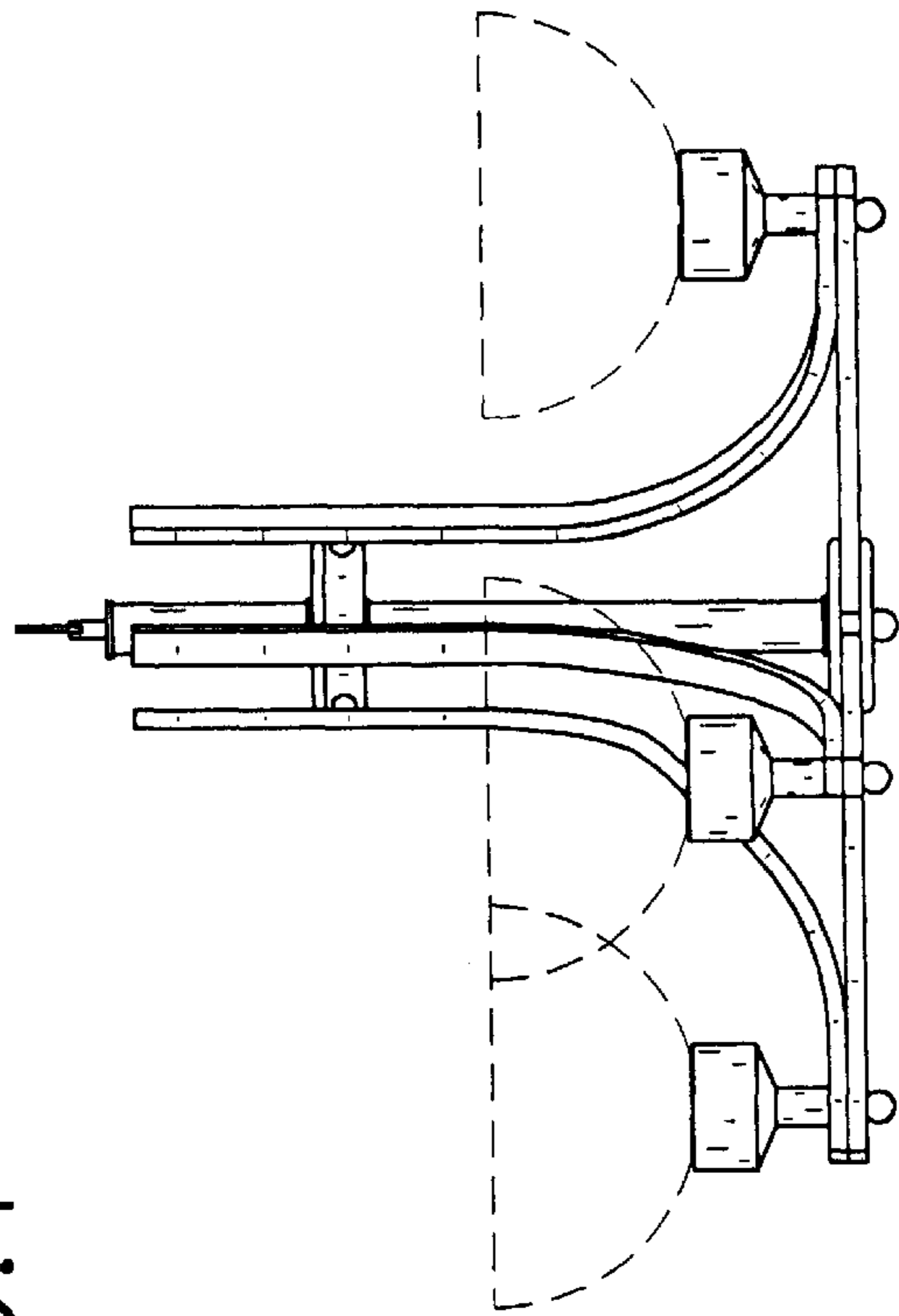


FIG. 3

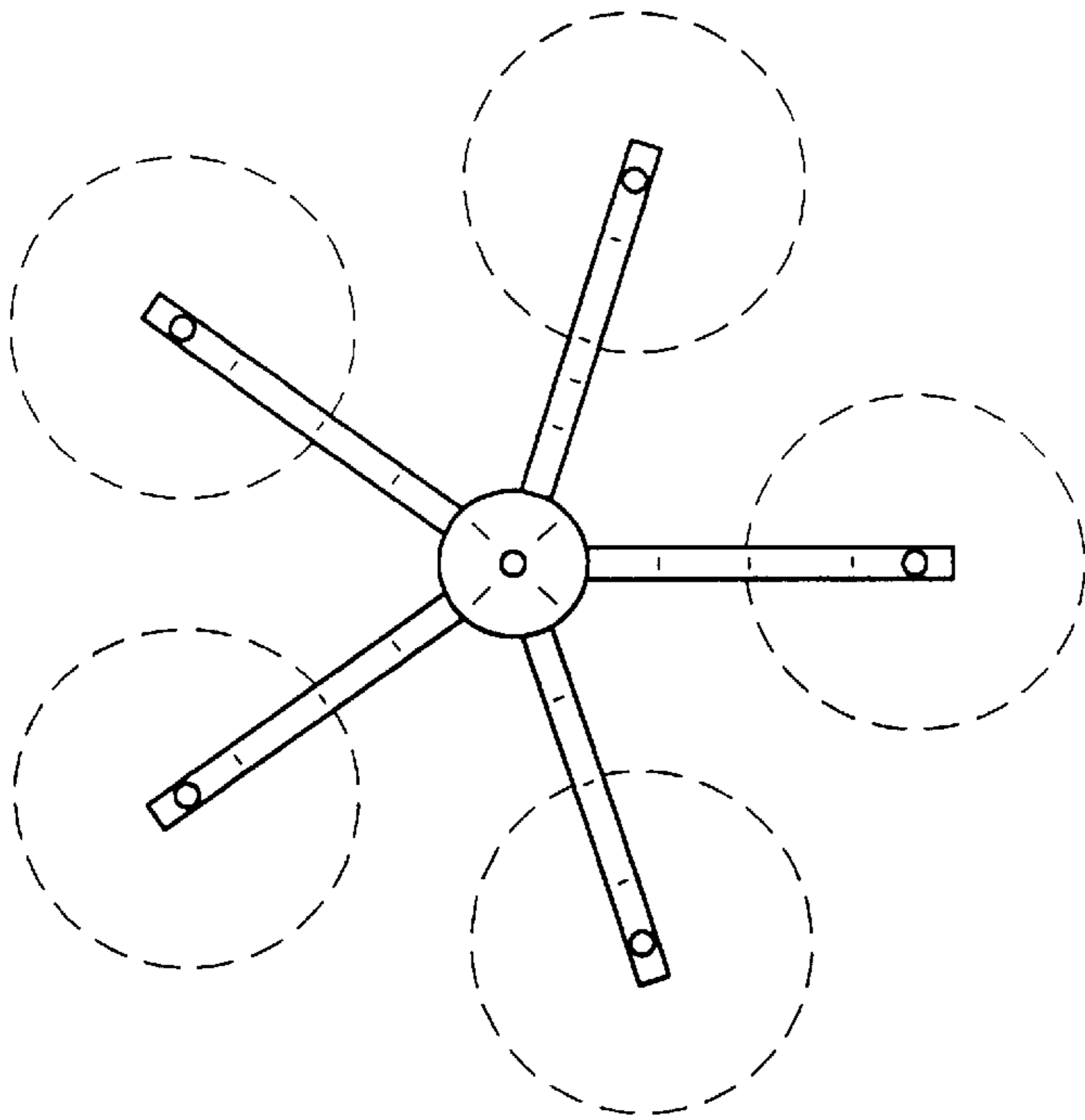


FIG. 5

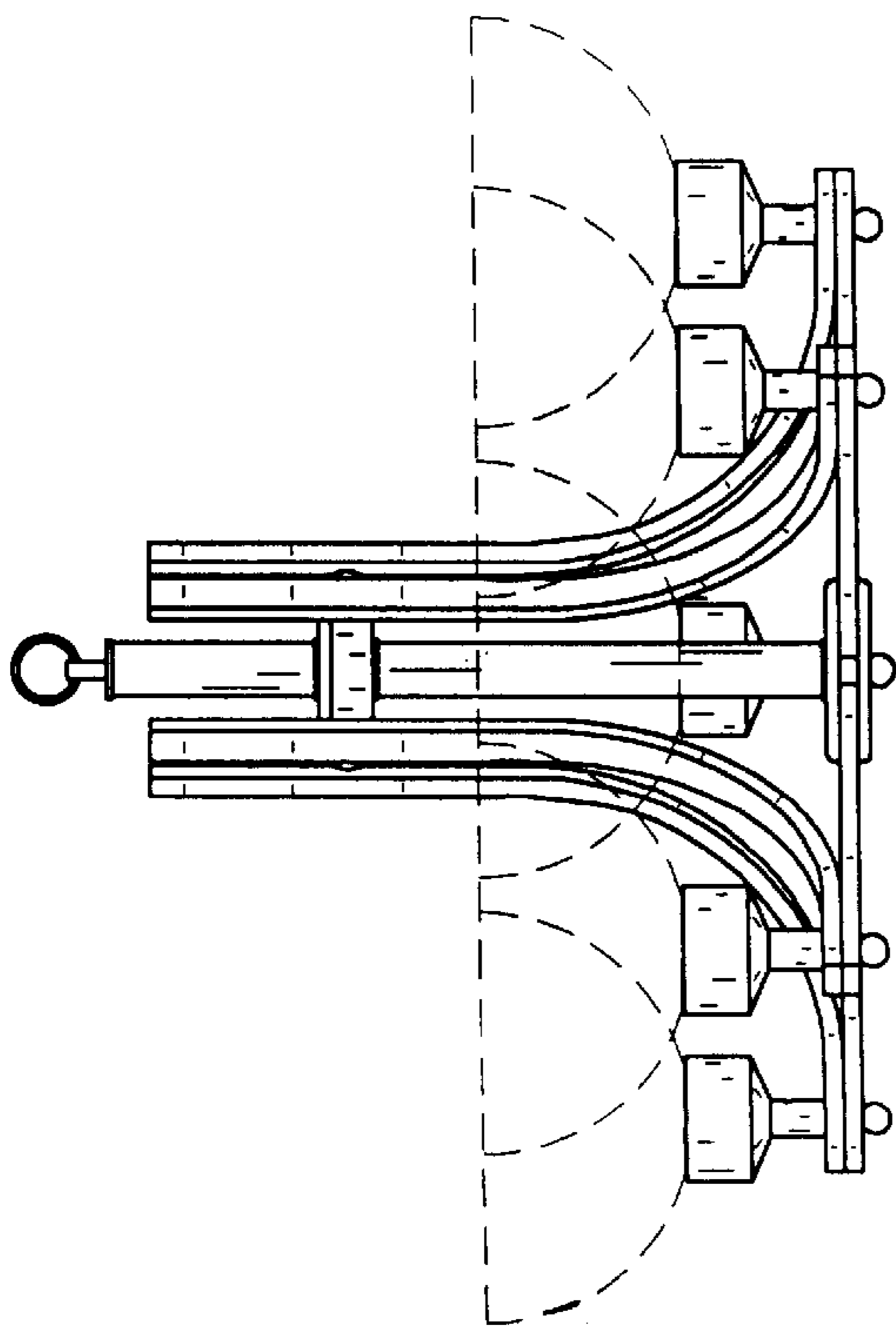


FIG. 4

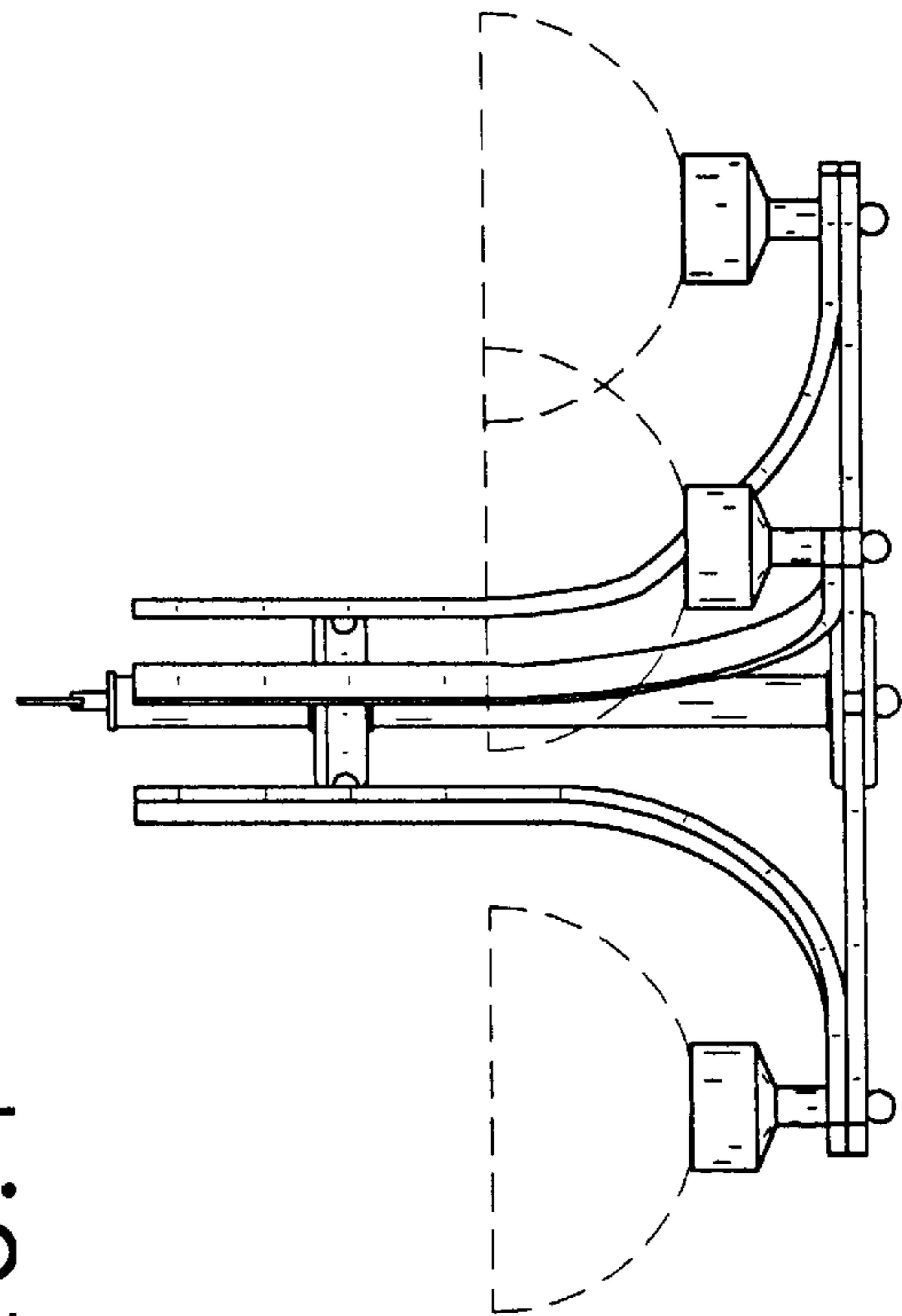


FIG. 6

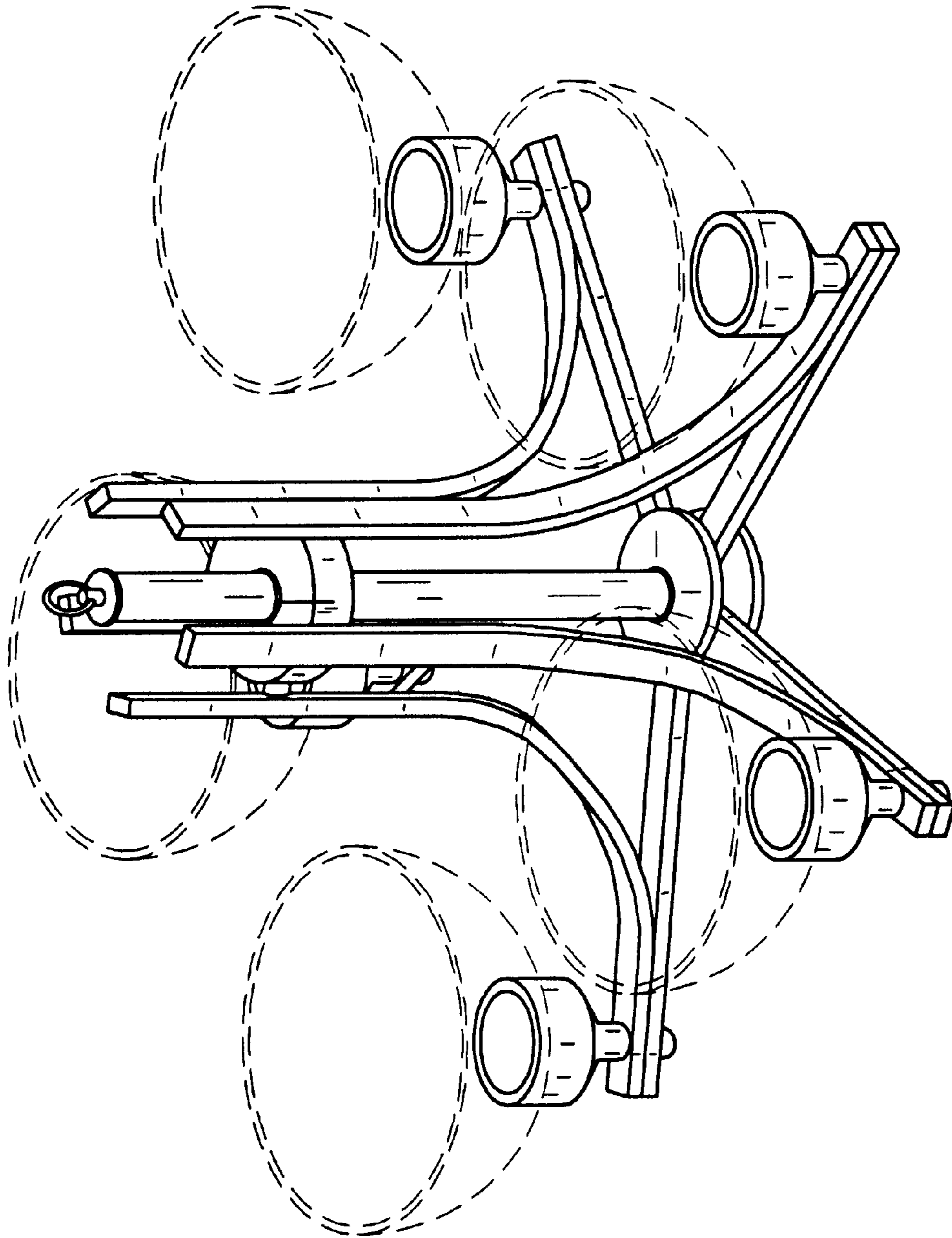


FIG. 7