



US00D430687S

United States Patent [19]
Landefeld

[11] **Patent Number: Des. 430,687**

[45] **Date of Patent: ** Sep. 5, 2000**

[54] **LUMINAIRE**

[75] Inventor: **Cory W. Landefeld**, Long Beach, Calif.

[73] Assignee: **Kim Lighting, Inc.**, City of Industry, Calif.

[**] Term: **14 Years**

[21] Appl. No.: **29/112,532**

[22] Filed: **Oct. 18, 1999**

[51] **LOC (7) Cl.** **26-05**

[52] **U.S. Cl.** **D26/67; D26/24; D26/84**

[58] **Field of Search** **D26/67-71, 72, D26/85, 87, 92, 24; 362/431, 432, 147, 153, 153.1, 183, 367, 363, 362**

[56] **References Cited**

U.S. PATENT DOCUMENTS

D. 416,347 11/1999 Klaus D26/67 X

OTHER PUBLICATIONS

Bega Catalog pp.—168, 169—1990,—Pole Top Luminaires with Round Symmetrical Light Distribution from a Diffused Source.

Bega Catalog pp. 170, 171—1990—Pole Top Luminaires with High Performance Asymmetrical Light Distribution.

Bega Catalog pp. 172, 173—1990—Pole Top Luminaires with Round Symmetrical Light Distribution From a Diffused Source with Additional Top Light Output.

Bega Catalog pp. 174, 175—1990—Pole Top Luminaires w/Round Symmetrical Light Distribution w/shielded Light Source and Guard.

Bega Catalog pp. 182, 183—1990—Pole Top Luminaires w/Round Symmetrical Light Distribution.

Architectural Area Lighting (AAA)—Catalog p. 7—Pole Mounted Luminaire, date unknown prior to filing date.

Architectural Area Lighting (AAA)—Catalog p. 9—Pole Mounted Luminaire, date unknown prior to filing date.

Lumec Inc.—Catalog Page ro CAND Candela Series Luminare (CAND1, CAND2, CAND3), date unknown prior to filing date.

Primary Examiner—Susan J. Lucas

Attorney, Agent, or Firm—Lyon & Lyon LLP

[57] **CLAIM**

The ornamental design for a luminaire, substantially as shown and described.

DESCRIPTION

FIG. 1 is a top view of a first embodiment of the design, FIG. 2 is a side elevational view thereof, the same being symmetrical such that the reverse side is identical,

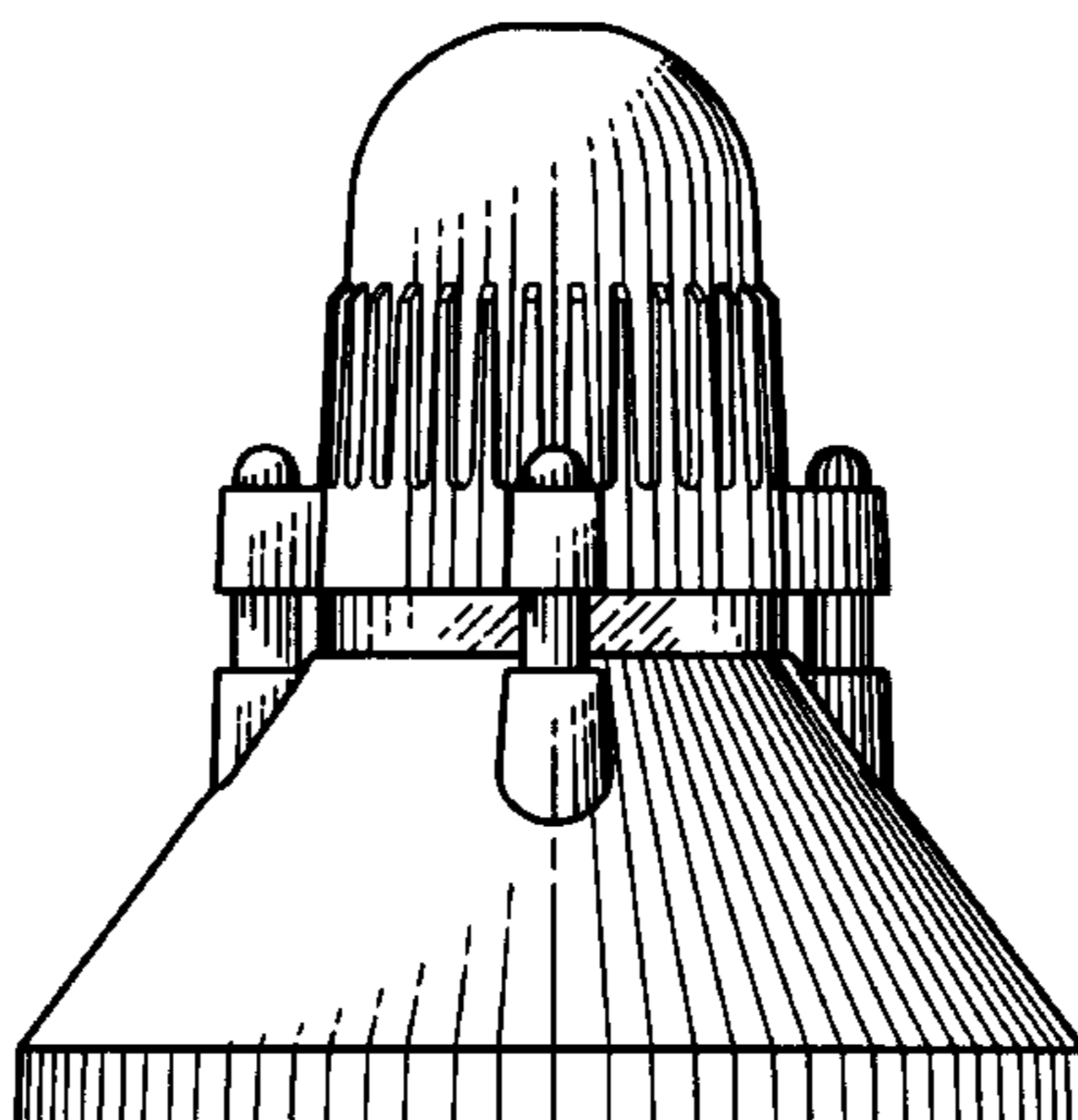
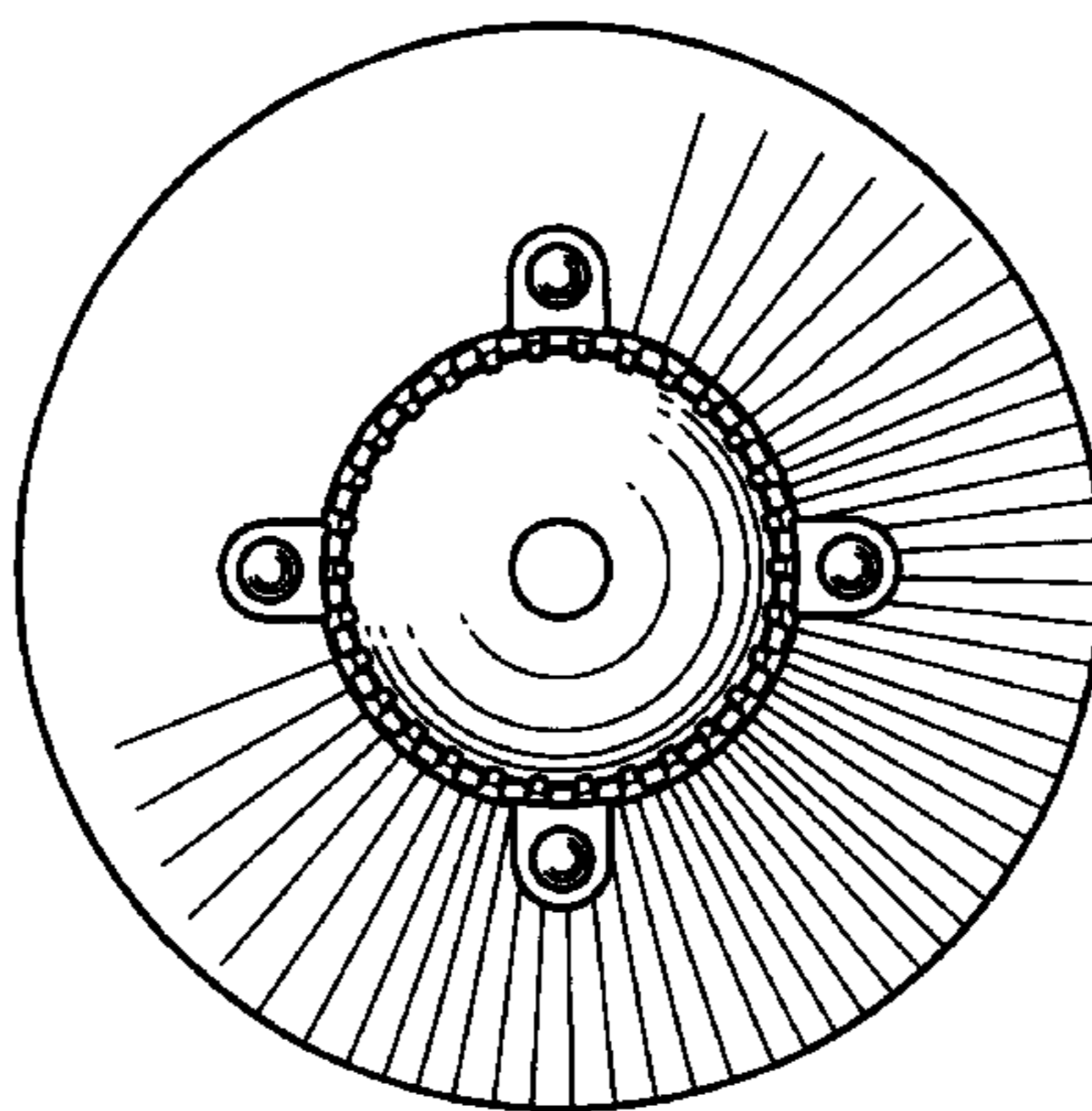
FIG. 3 is a bottom view thereof,

FIG. 4 is a top view of a second embodiment,

FIG. 5 is a side elevational view thereof, the same being symmetrical such that the reverse side is identical; and,

FIG. 6 is a bottom view thereof.

1 Claim, 2 Drawing Sheets



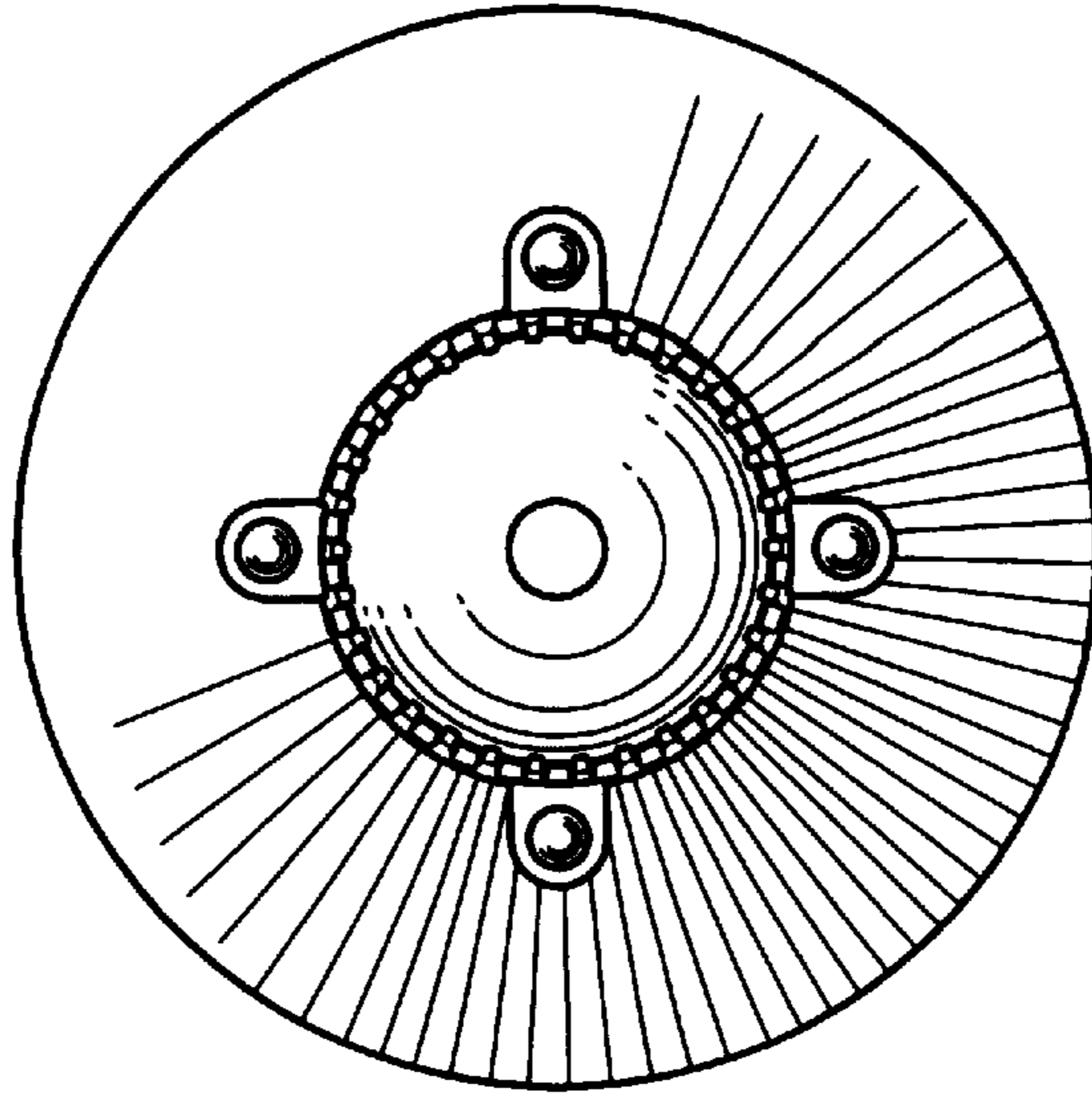


FIG. 1

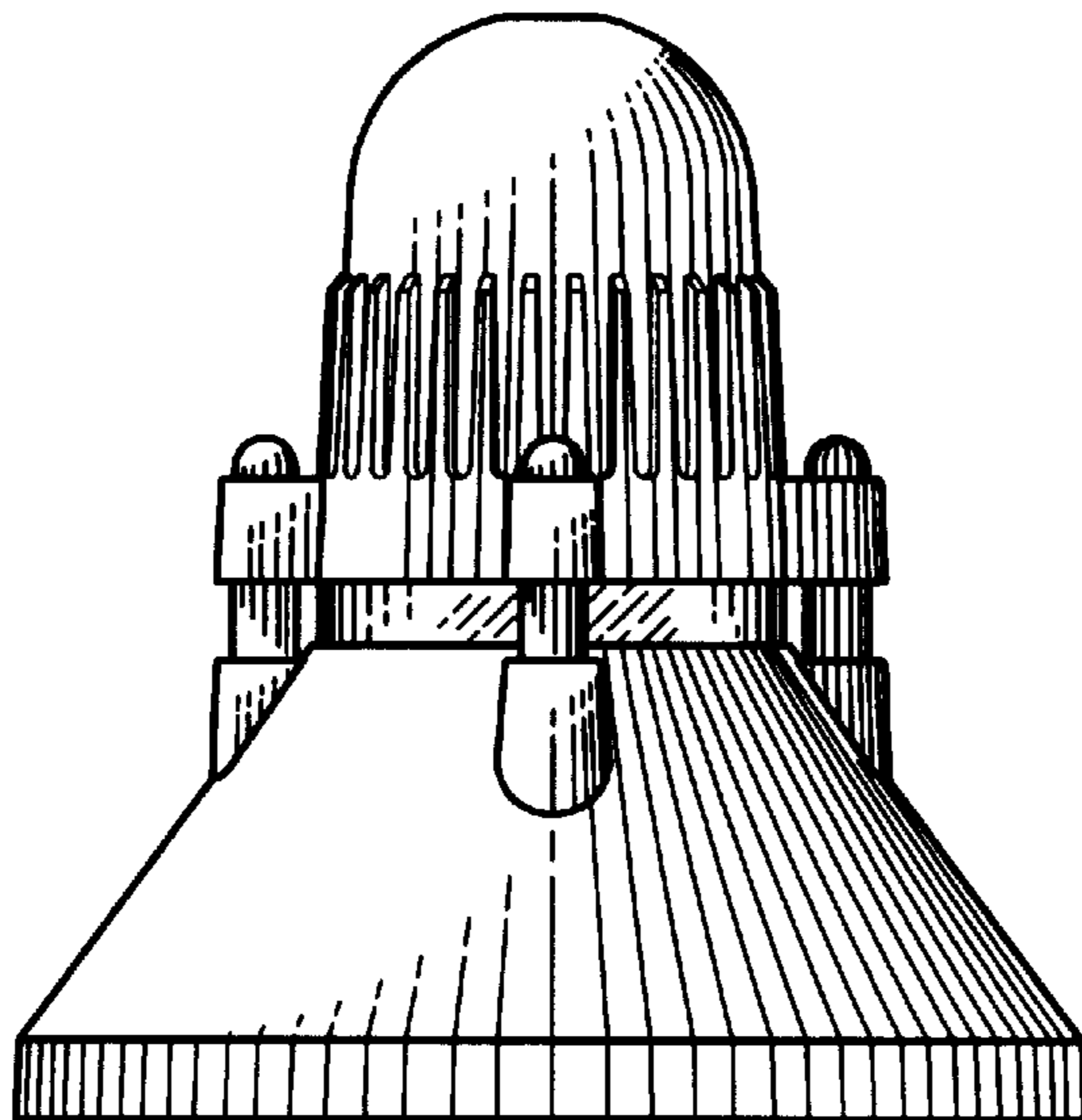


FIG. 2

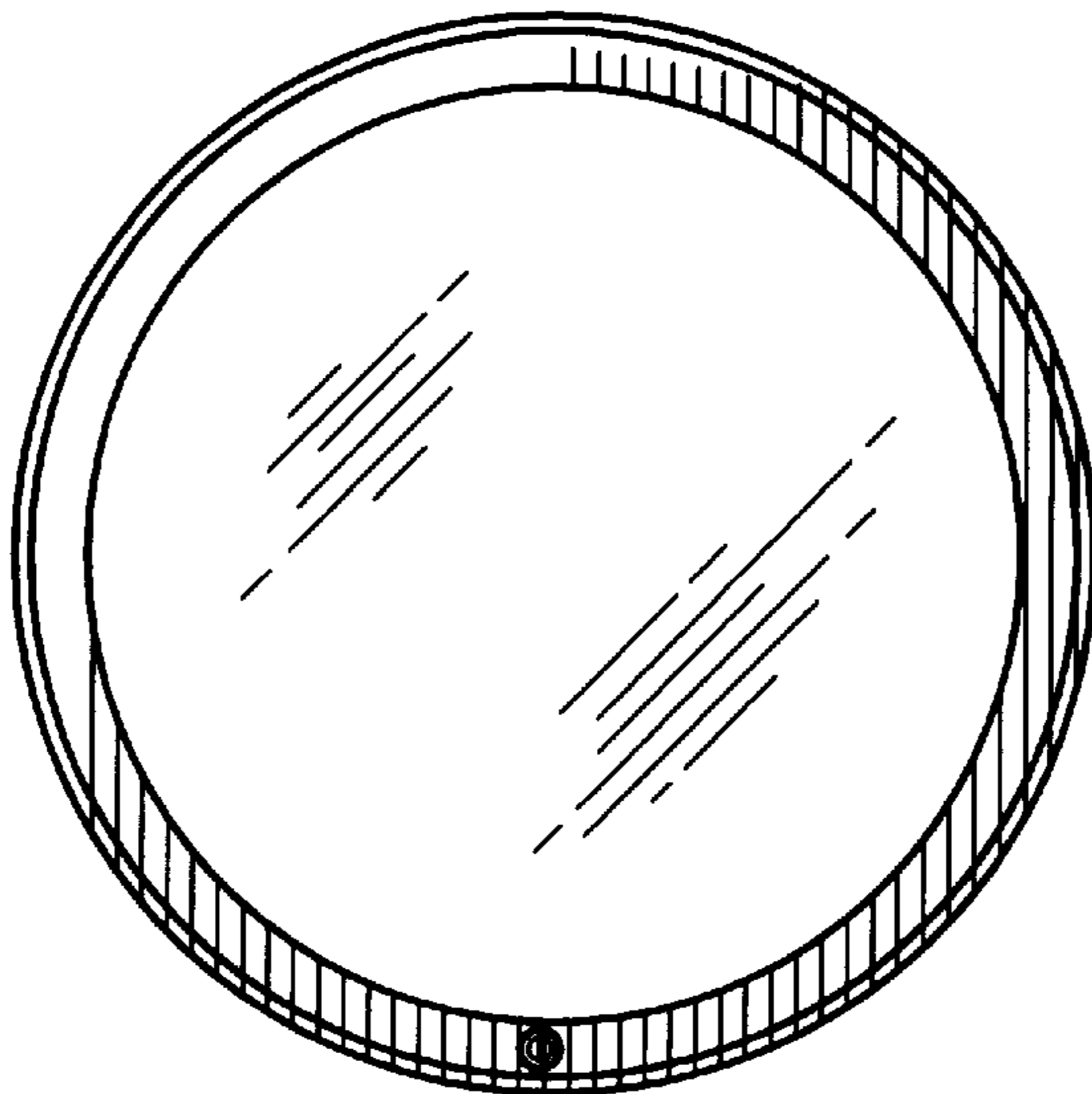


FIG. 3

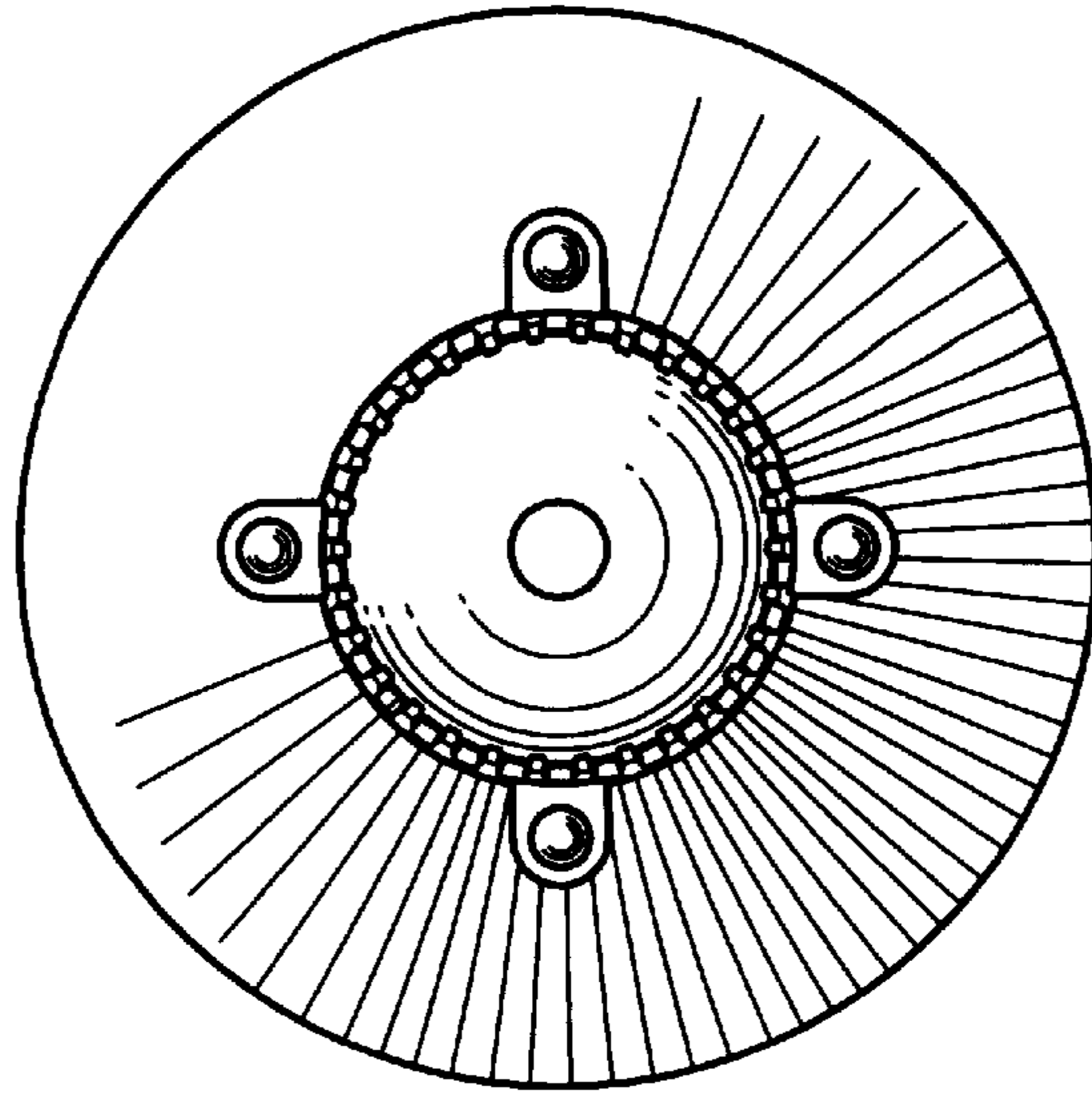


FIG. 4

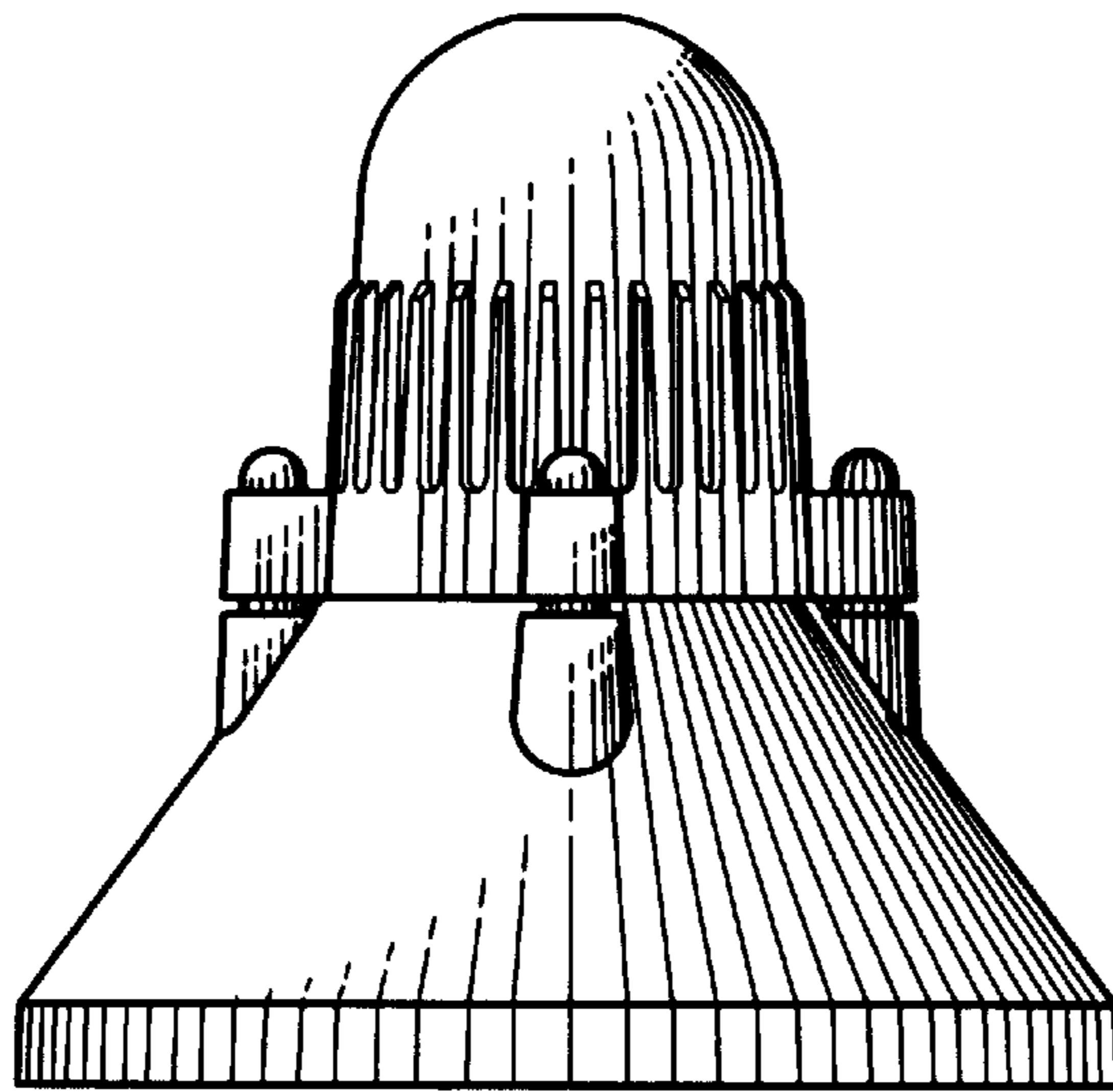


FIG. 5

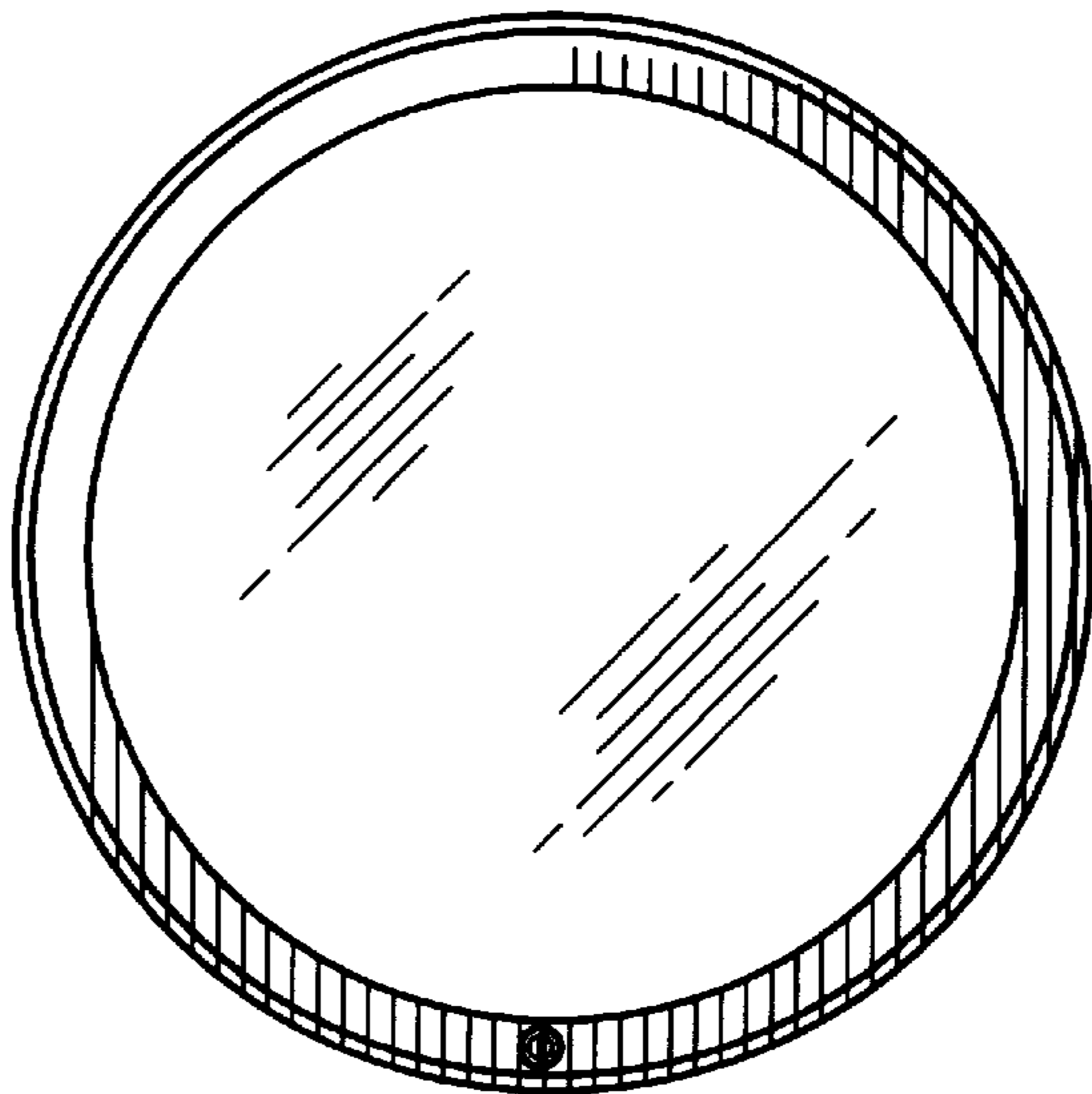


FIG. 6