



US00D430686S

United States Patent [19]
Gismondi

[11] **Patent Number: Des. 430,686**

[45] **Date of Patent: ** Sep. 5, 2000**

[54] **LAMP**

[75] Inventor: **Ernesto Gismondi**, Milan, Italy

[73] Assignee: **Artemide S.p.A.**, Milan, Italy

[**] Term: **14 Years**

[21] Appl. No.: **29/108,279**

[22] Filed: **Jul. 23, 1999**

[30] **Foreign Application Priority Data**

Jan. 27, 1999 [IT] Italy MI99O0034

[51] **LOC (7) Cl.** **26-05**

[52] **U.S. Cl.** **D26/63**

[58] **Field of Search** D26/93, 102-112,
D26/63, 64, 65, 66, 61; 362/410-414, 269,
277, 287, 418, 419, 427

[56] **References Cited**

U.S. PATENT DOCUMENTS

D. 291,359 8/1987 Zeller D26/60

OTHER PUBLICATIONS

Hong Kong Enterprise, Sep. 1994, p. 413, table lamp,
bottom, second from right.

B. A. Pargh Co., Inc. catalog, Spring/Summer, 1991, p. 195,
tensor lamp.

Murray Feiss Import Co., lighting catalog, Jan. 1998, p. 7,
desk lamp #DSK105, top left.

Primary Examiner—Susan J. Lucas
Attorney, Agent, or Firm—Pitney, Hardin, Kipp & Szuch,
LLP

[57] **CLAIM**

The ornamental design for a lamp, as shown in the accom-
panying drawings.

DESCRIPTION

FIG. 1 is a three-quarter top plan view of my new design
relating to a lamp;

FIG. 2 is a three-quarter bottom plan view of my new design;

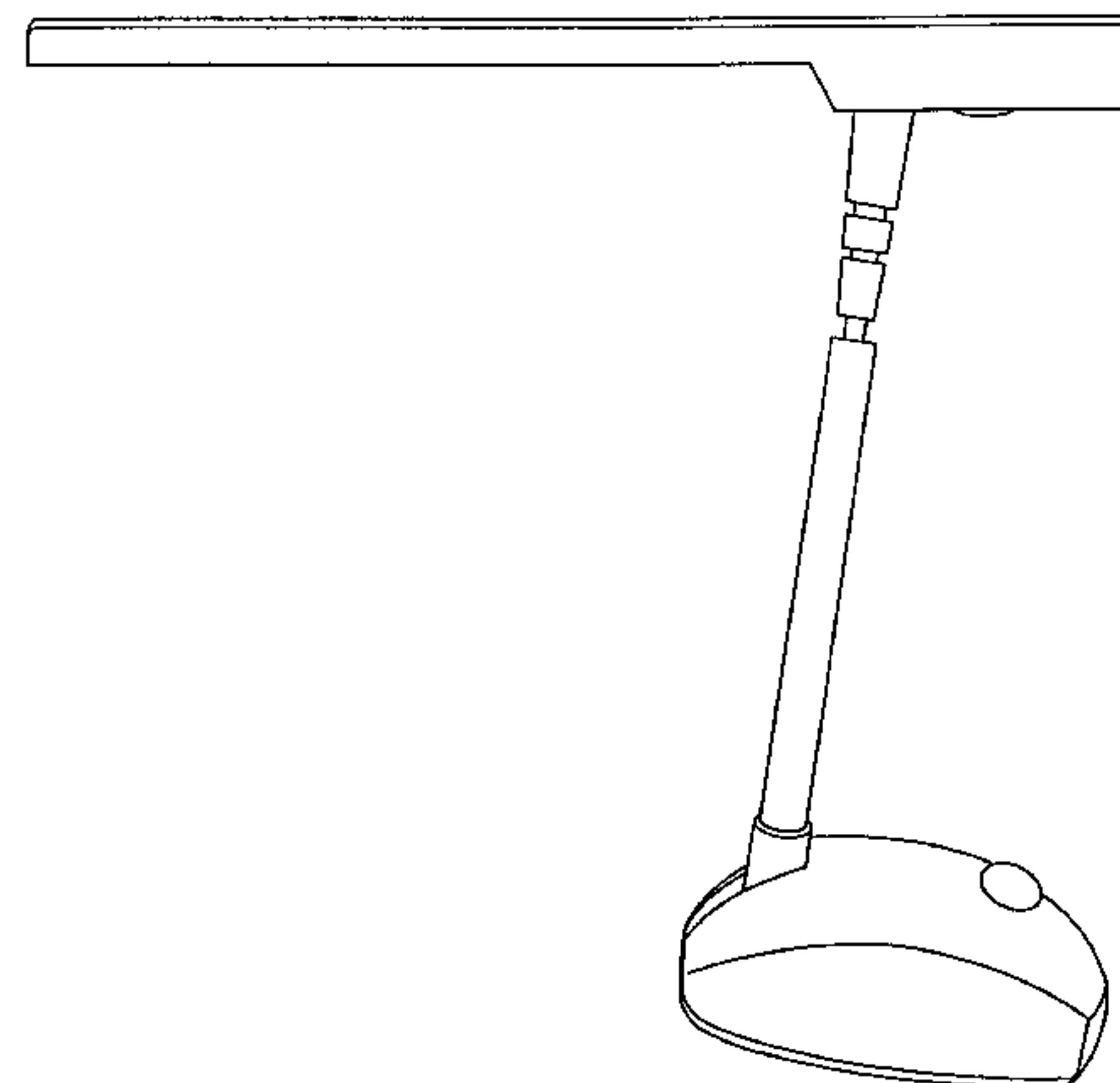
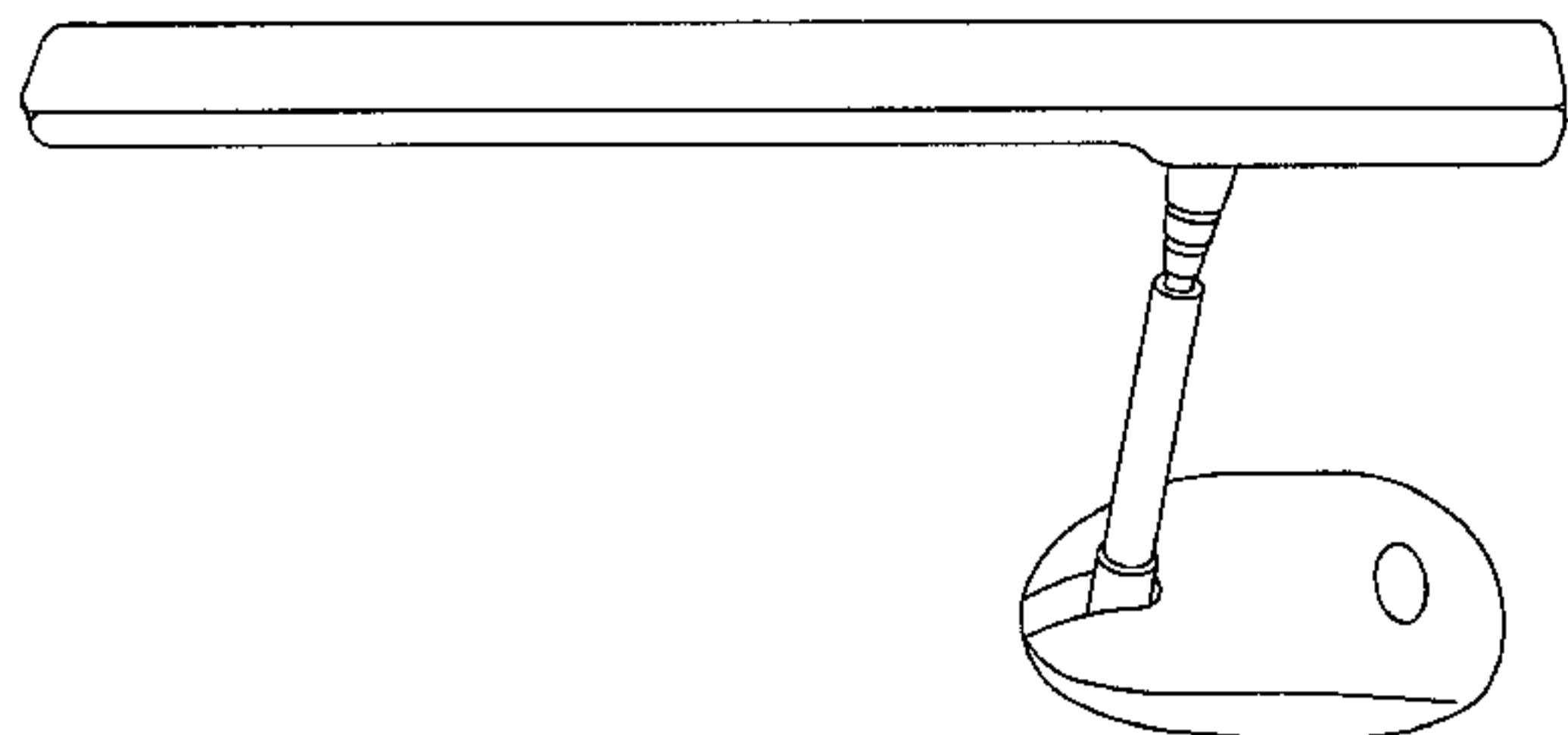
FIG. 3 is a right side view of my new design;

FIG. 4 is a left side view of my new design;

FIG. 5 is a front view of my new design; and,

FIG. 6 is a rear view of my new design.

1 Claim, 4 Drawing Sheets



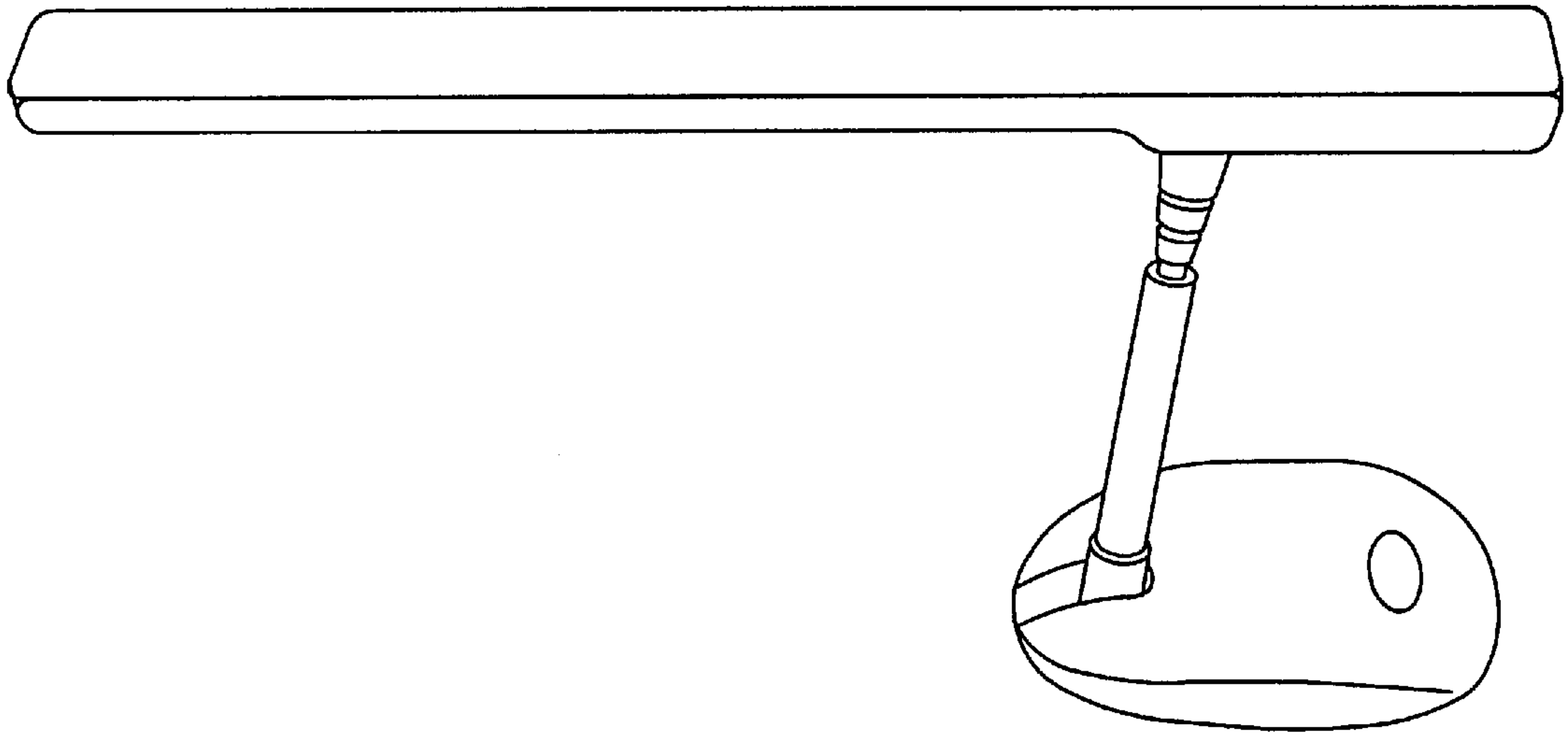


FIG. 1

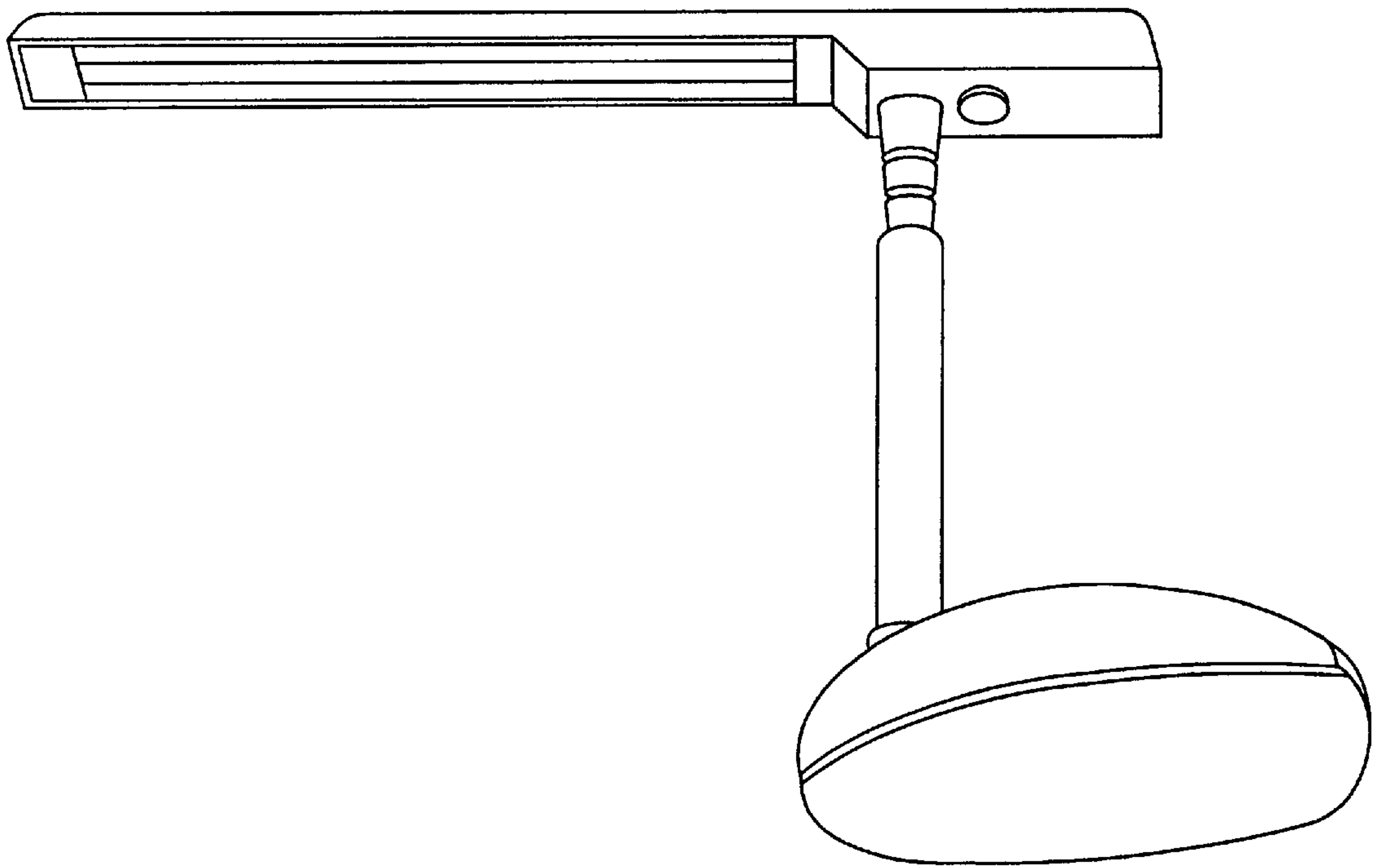


FIG. 2

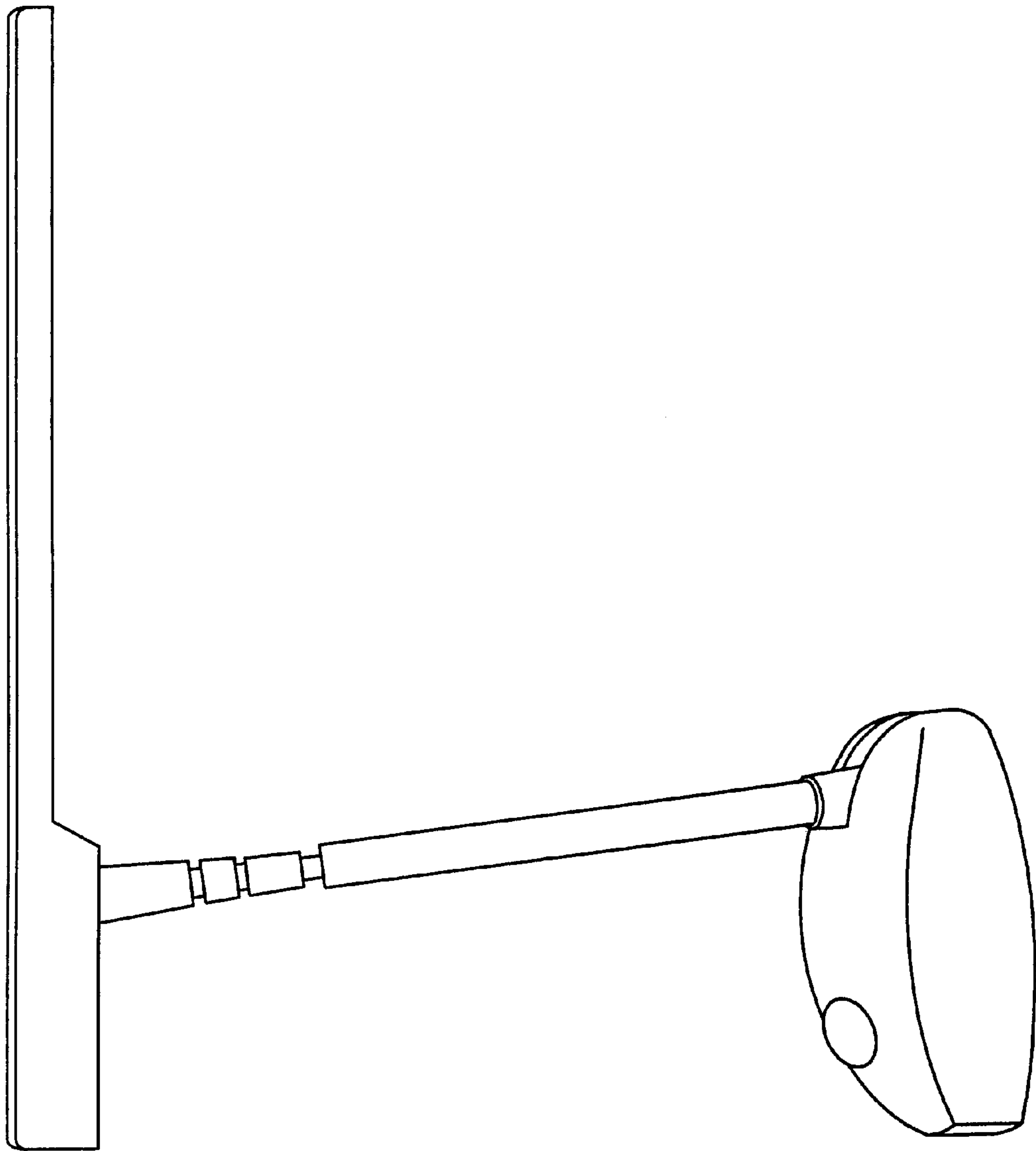


FIG. 3

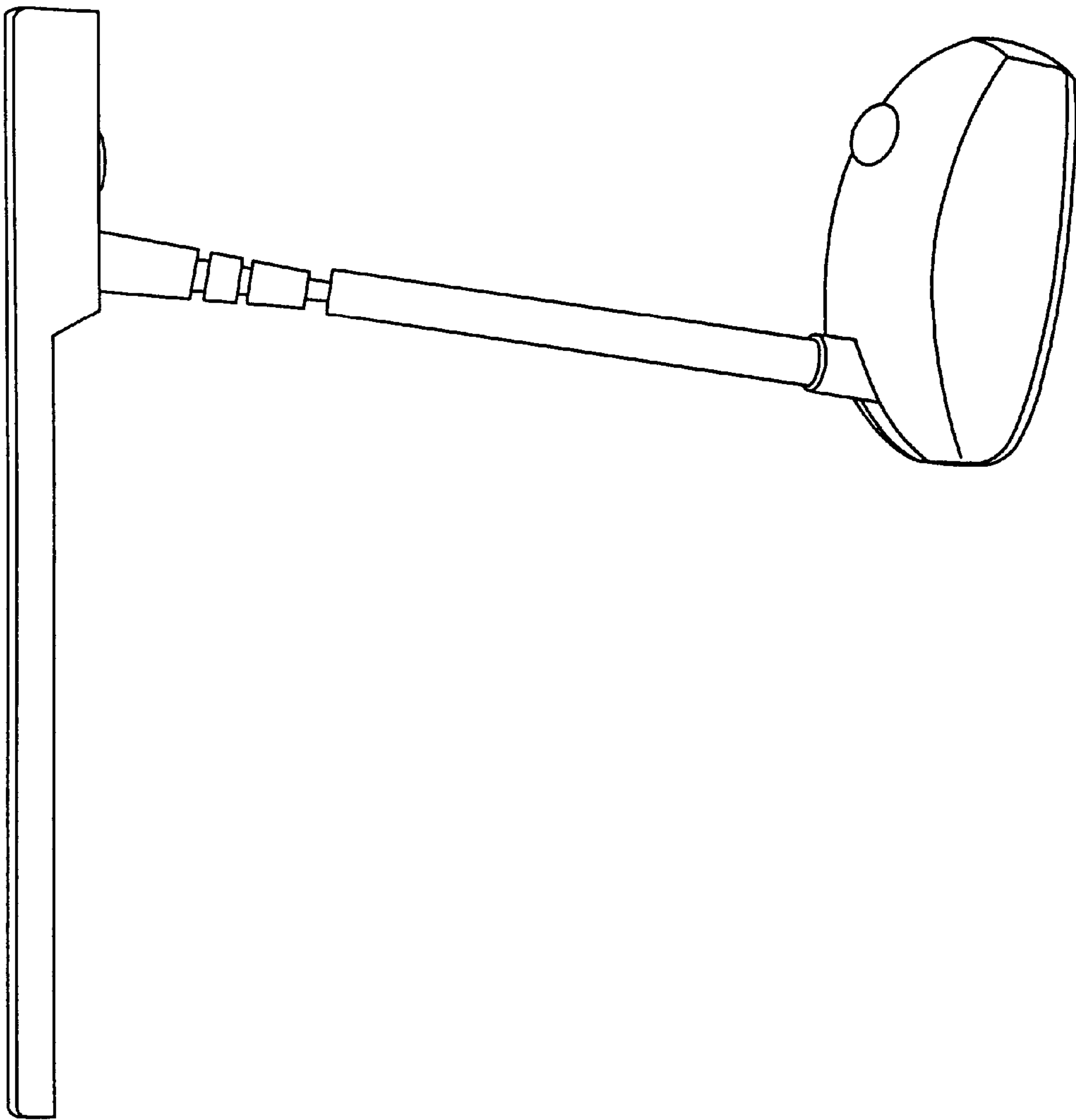


FIG. 4

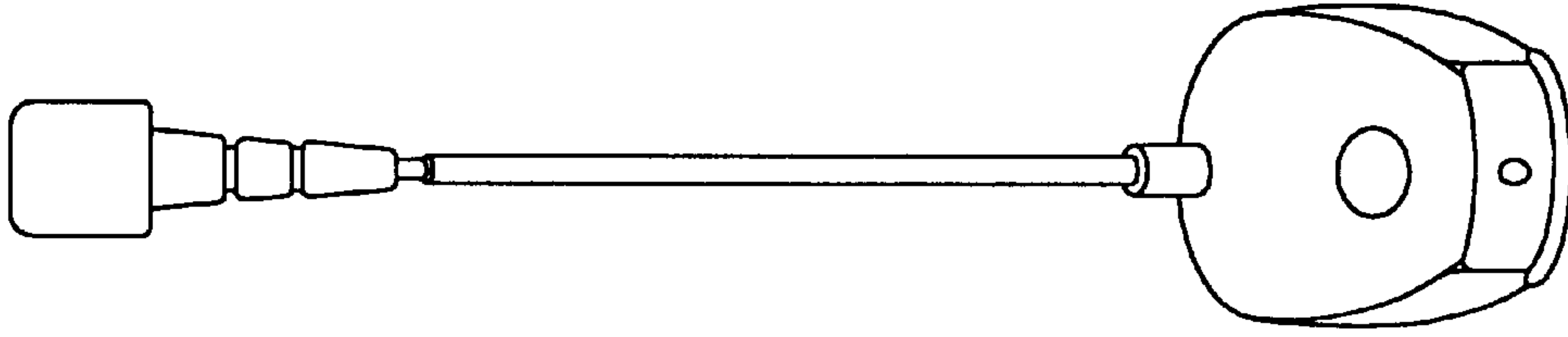


FIG. 5

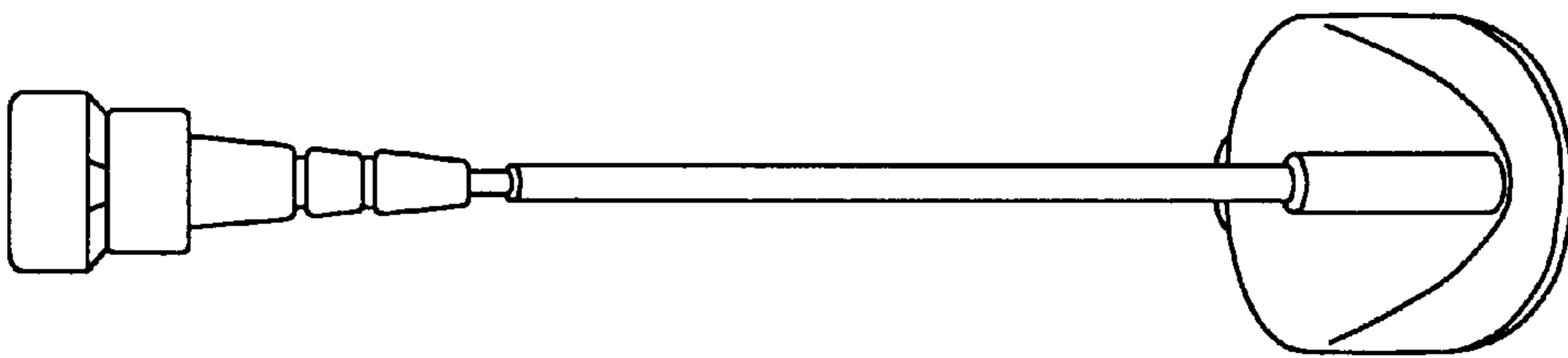


FIG. 6