



US00D430685S

# United States Patent [19]

Iacovelli et al.

[11] Patent Number: Des. 430,685

[45] Date of Patent: \*\* Sep. 5, 2000

[54] LIGHT

[75] Inventors: Marc Iacovelli; Saied Hussaini, both of Miami, Fla.

[73] Assignee: Rally Manufacturing, Inc., Miami, Fla.

[\*\*] Term: 14 Years

[21] Appl. No.: 29/099,892

[22] Filed: Jan. 29, 1999

[51] LOC (7) Cl. .... 26-04

[52] U.S. Cl. .... D26/28

[58] Field of Search ..... D26/28-36; 362/80, 362/81, 82, 83, 309, 326, 329-340, 418, 419, 429

### [56] References Cited

#### U.S. PATENT DOCUMENTS

D. 364,240	11/1995	Huang	.....	D26/28
D. 377,838	2/1997	Malhotra	.....	D26/28
D. 384,759	10/1997	Strate	.....	D26/28
D. 390,979	2/1998	Yamamoto	.....	D26/28
D. 390,980	2/1998	Yamamoto	.....	D26/28

Primary Examiner—Marcus A. Jackson  
Attorney, Agent, or Firm—Liniak, Berenato, Lonagacre & White

### [57] CLAIM

The ornamental design for a light, as shown and described.

### DESCRIPTION

FIG. 1 is a front view of the light according to the present invention, with the broken line showing for illustrative purposes only and forming no part of the claimed design; FIG. 2 is a rear view of the light of FIG. 1 according to the present invention; FIG. 3 is a left side view of the light of FIG. 1 according to the present invention; FIG. 4 is a right side view of the light of FIG. 1 according to the present invention; FIG. 5 is a top view of the light of FIG. 1 according to the present invention; FIG. 6 is a bottom view of the light of FIG. 1 according to the present invention; and, FIG. 7 is a front elevational perspective view of the light of FIG. 1 according to the present invention.

1 Claim, 4 Drawing Sheets

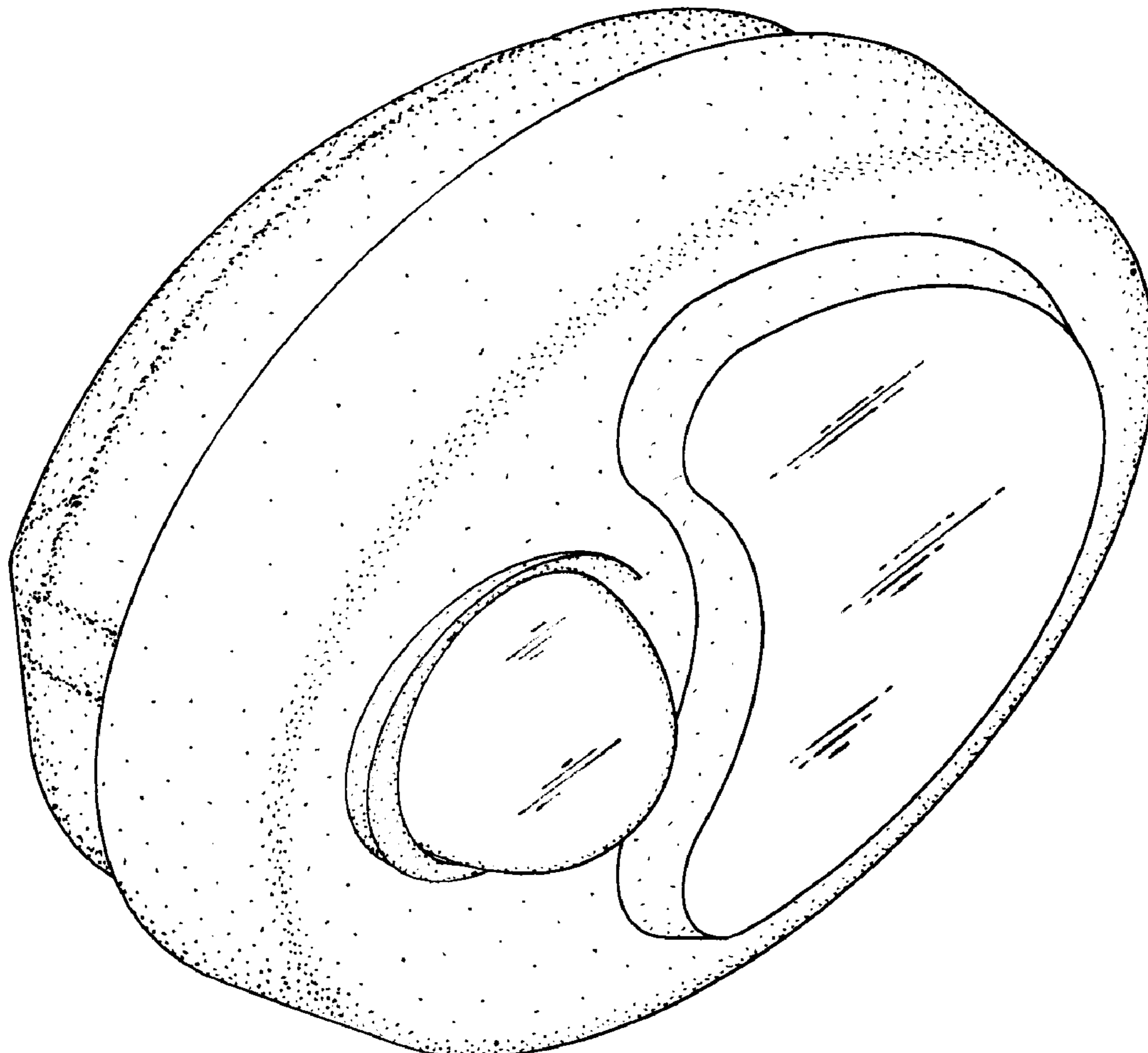


Fig. 1

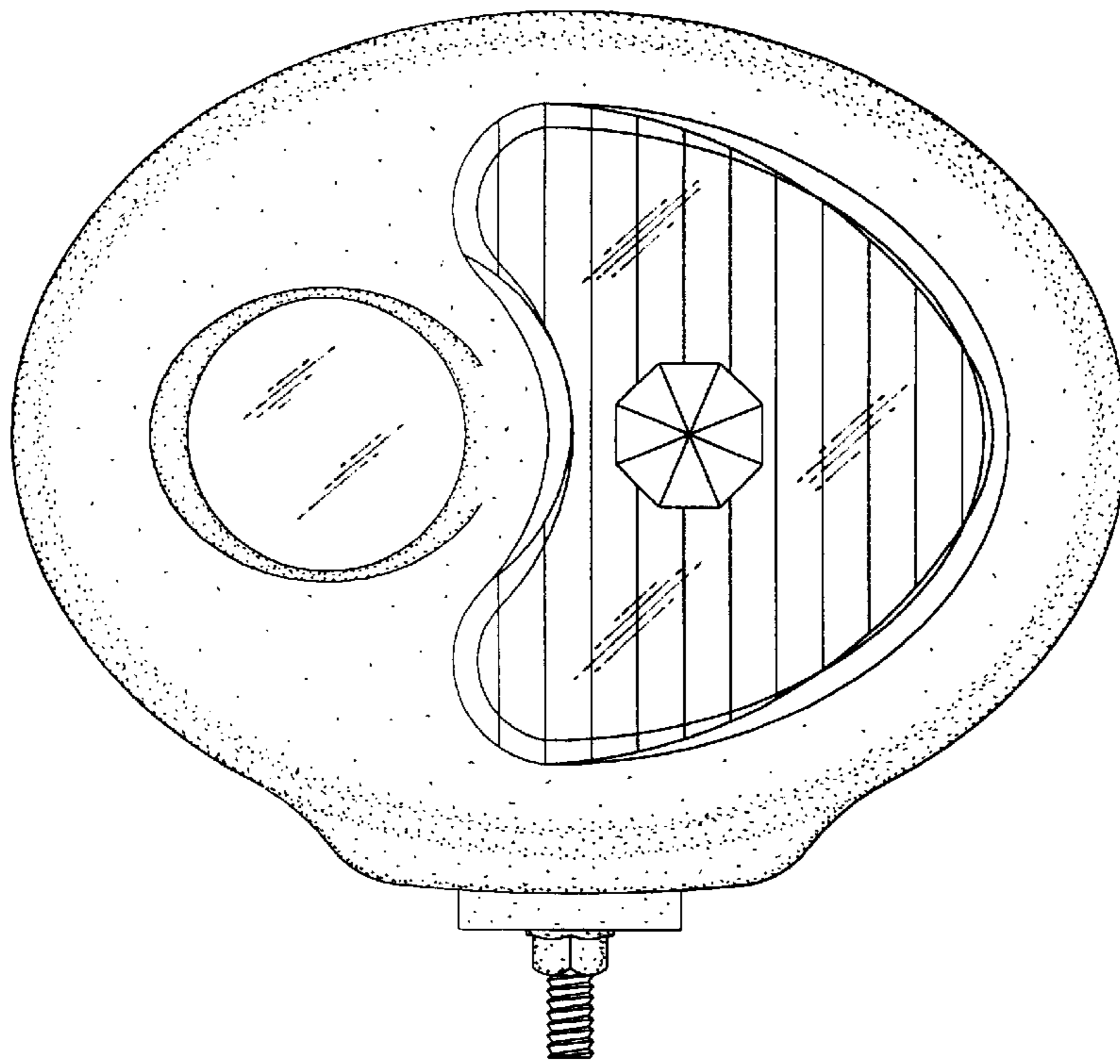


Fig. 2

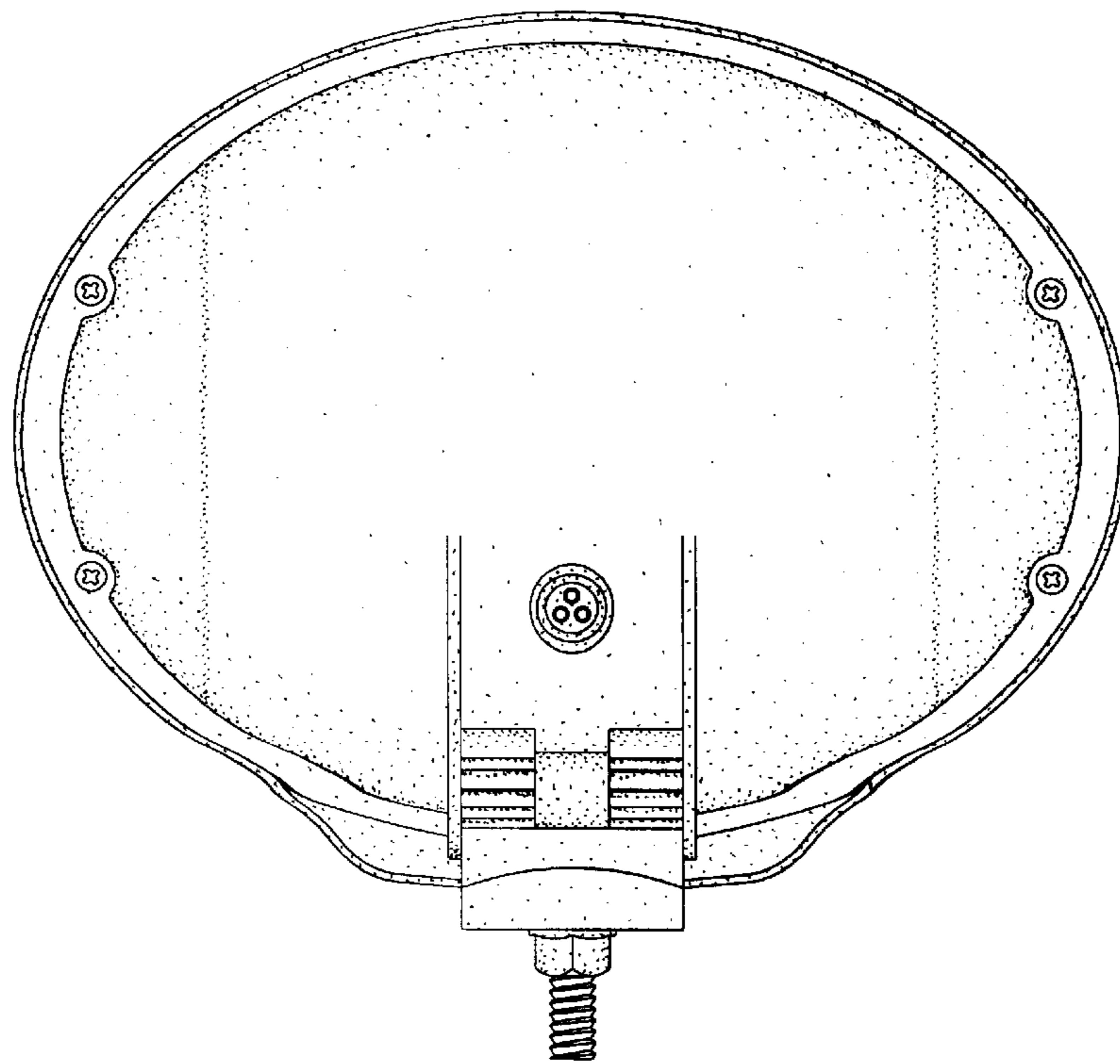


Fig. 3

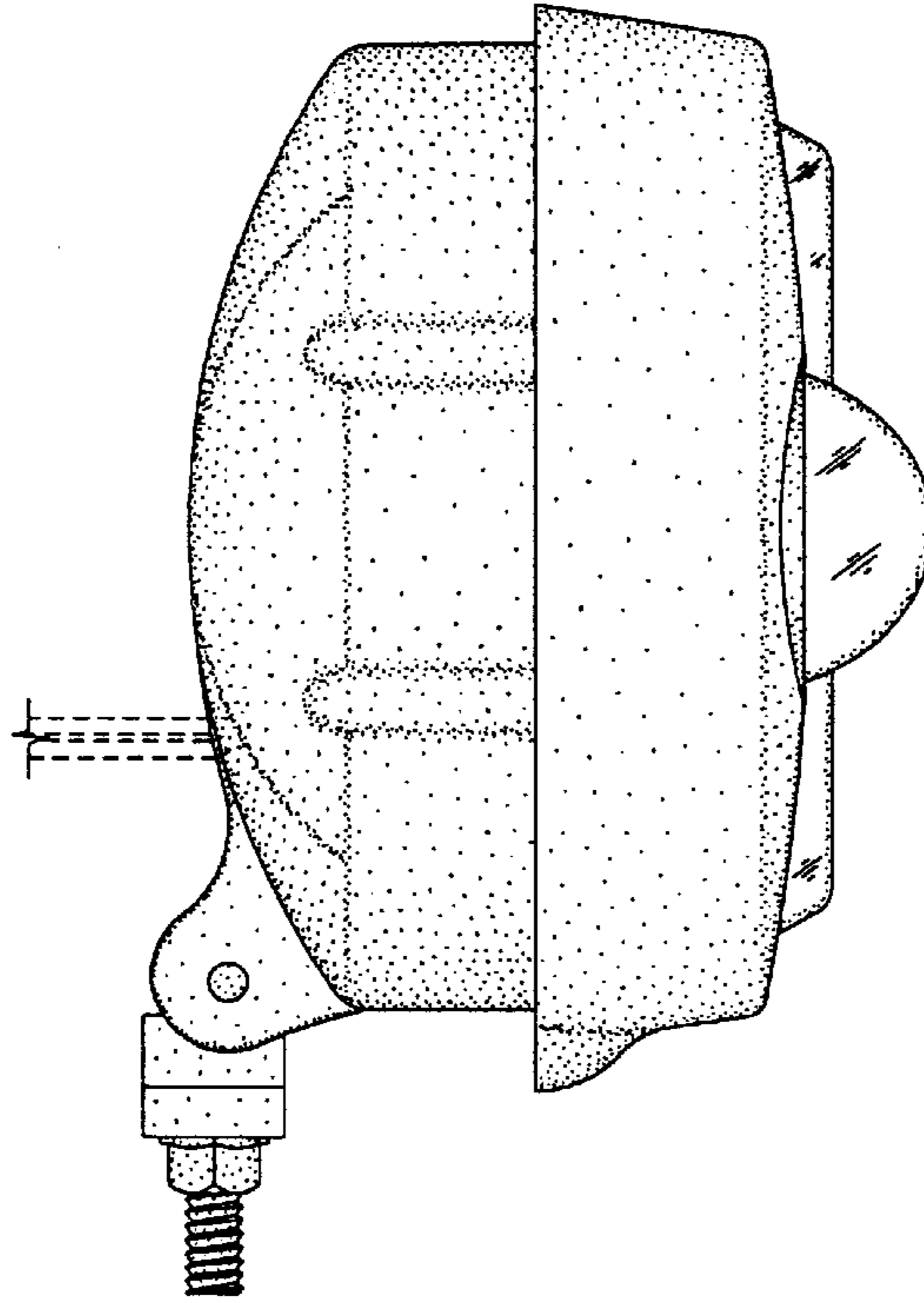


Fig. 4

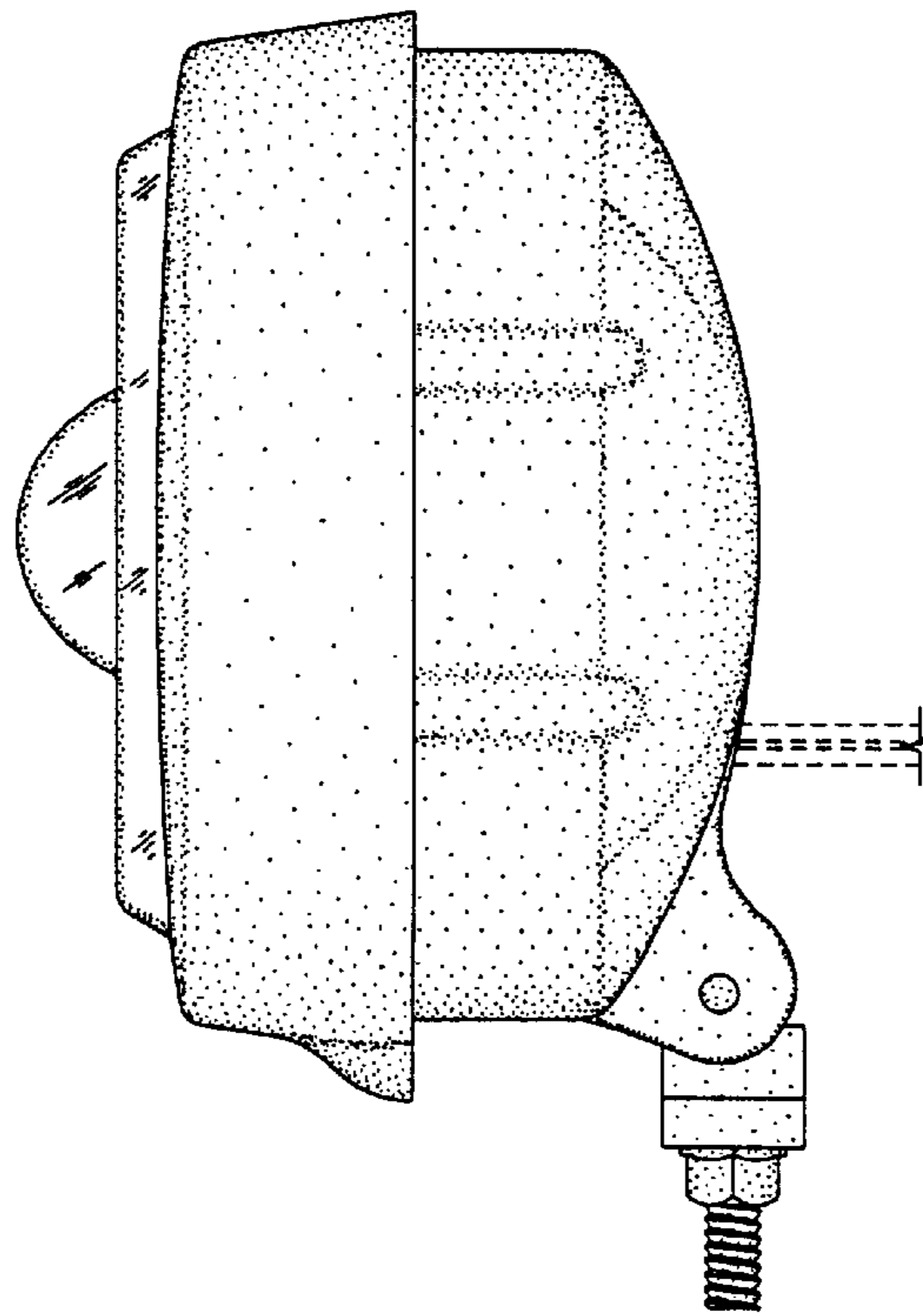


Fig. 5

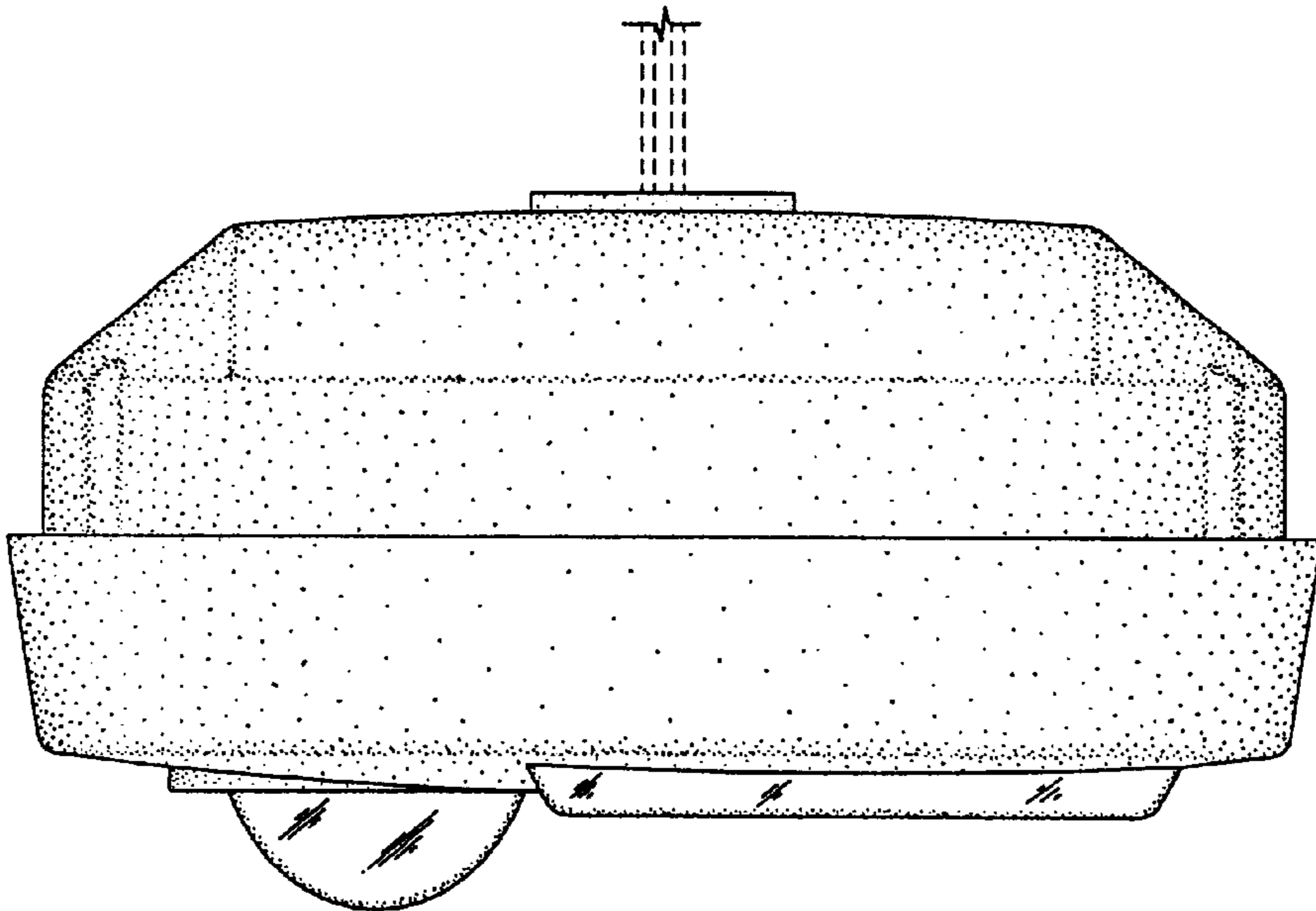


Fig. 6

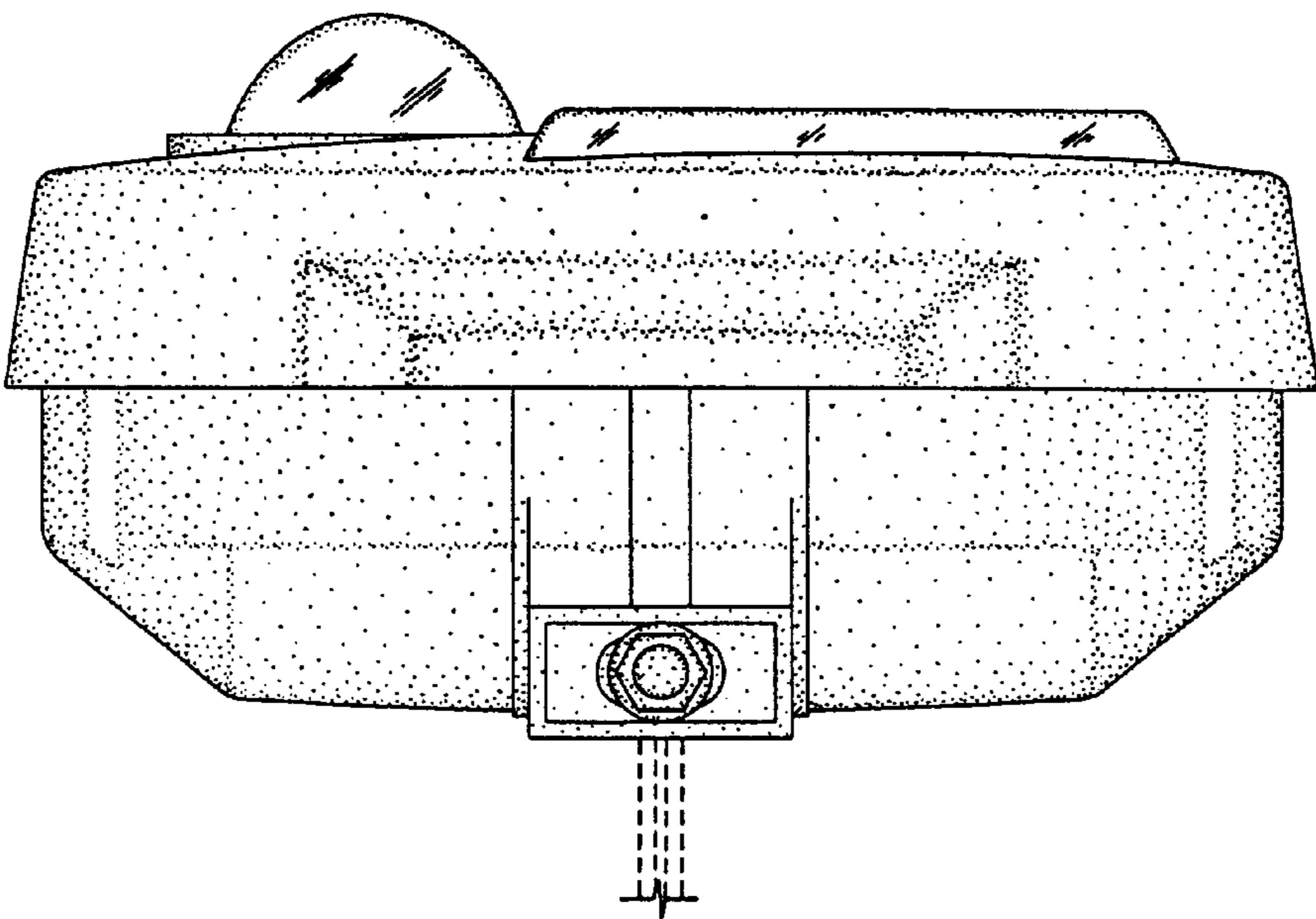


Fig. 7

