



US00D430663S

United States Patent [19] Smart

[11] **Patent Number: Des. 430,663**

[45] **Date of Patent: ** Sep. 5, 2000**

[54] **MASK**

[76] **Inventor: Gregory Scott Smart, 30 Howard St.,
Randwick, New South Wales, 2031,
Australia**

[**] **Term: 14 Years**

[21] **Appl. No.: 29/101,861**

[22] **Filed: Mar. 12, 1999**

[30] Foreign Application Priority Data

Dec. 9, 1998 [AU] Australia 3924/98

[51] **LOC (7) Cl. 29-02**

[52] **U.S. Cl. D24/110.4**

[58] **Field of Search** D24/110.1, 110.4,
D24/110.5; 128/207.13, 207.12, 207.11,
207.17, 206.24, 205.25, 206.21, 206.2,
207.18, 206.11, 206.26, 206.12

[56] References Cited

U.S. PATENT DOCUMENTS

D. 236,033	7/1975	Dryden	D24/110.4
D. 239,469	4/1976	Halldin et al.	D24/110.4
D. 293,613	1/1988	Wingler	D29/7
D. 300,473	3/1989	Roush	D24/110.4
D. 302,746	8/1989	Shirley	D24/110.4
D. 333,015	2/1993	Farmer et al.	D24/110.4
D. 334,633	4/1993	Rudolph	D29/7
D. 362,061	9/1995	Mc Ginnis et al.	D24/110.4
D. 377,089	12/1996	Starr et al.	D24/110.1
D. 402,755	12/1998	Kwok	D24/110.4
D. 420,128	2/2000	Hoening	D24/110.1
2,317,608	4/1943	Heidbrink	128/146
2,376,871	5/1945	Fink	128/146
4,328,797	5/1982	Rollins, III et al.	128/202.27
4,402,316	9/1983	Gadberry	128/201.15
5,005,571	4/1991	Dietz	128/205.25
5,265,595	11/1993	Rudolph	128/204.18
5,465,712	11/1995	Malis et al.	128/205.25
5,676,133	10/1997	Hickle et al.	128/206.21
5,921,239	7/1999	McCall et al.	128/205.25

FOREIGN PATENT DOCUMENTS

1039144	9/1978	Canada .
0 386 605 A1	9/1990	European Pat. Off. .
0 634 186 A2	1/1995	European Pat. Off. .
WO 92/20395	11/1992	WIPO .

OTHER PUBLICATIONS

“Disposable Full Face Mask”, Brochure by Respironics, Inc, Oct. 20, 1994., 2 pgs.
 Data Sheet Advertisement for new Rudolph nasal and mouth breathing face mask two-way non-rebreathing, 1995 Hans Rudolph, Inc. (691148-1).
 Data Sheet Advertisement for new Rudolph mouth breathing face mask two-way non-rebreathing, 1995 Hans Rudolph, Inc. (691150-1), (691151-1).
 Data Sheet Advertisement for new Rudolph nasal and mouth breathing face mask two-way non-rebreathing, 1995 Hans Rudolph, Inc. (691149-1).
 Data Sheet Advertisement for new Rudolph anesthesia face mask silicone, non-conductive, translucent, 1995 Hans Rudolph, Inc. (691159-1).
 Data Sheet Advertisement for new Rudolph mouth breathing face mask two-way non-rebreathing, 1995 Hans Rudolph, Inc. (6911510-1).

Primary Examiner—Ian Simmons
Attorney, Agent, or Firm—David P. Gordon; David S. Jacobson; Thomas A. Gallagher

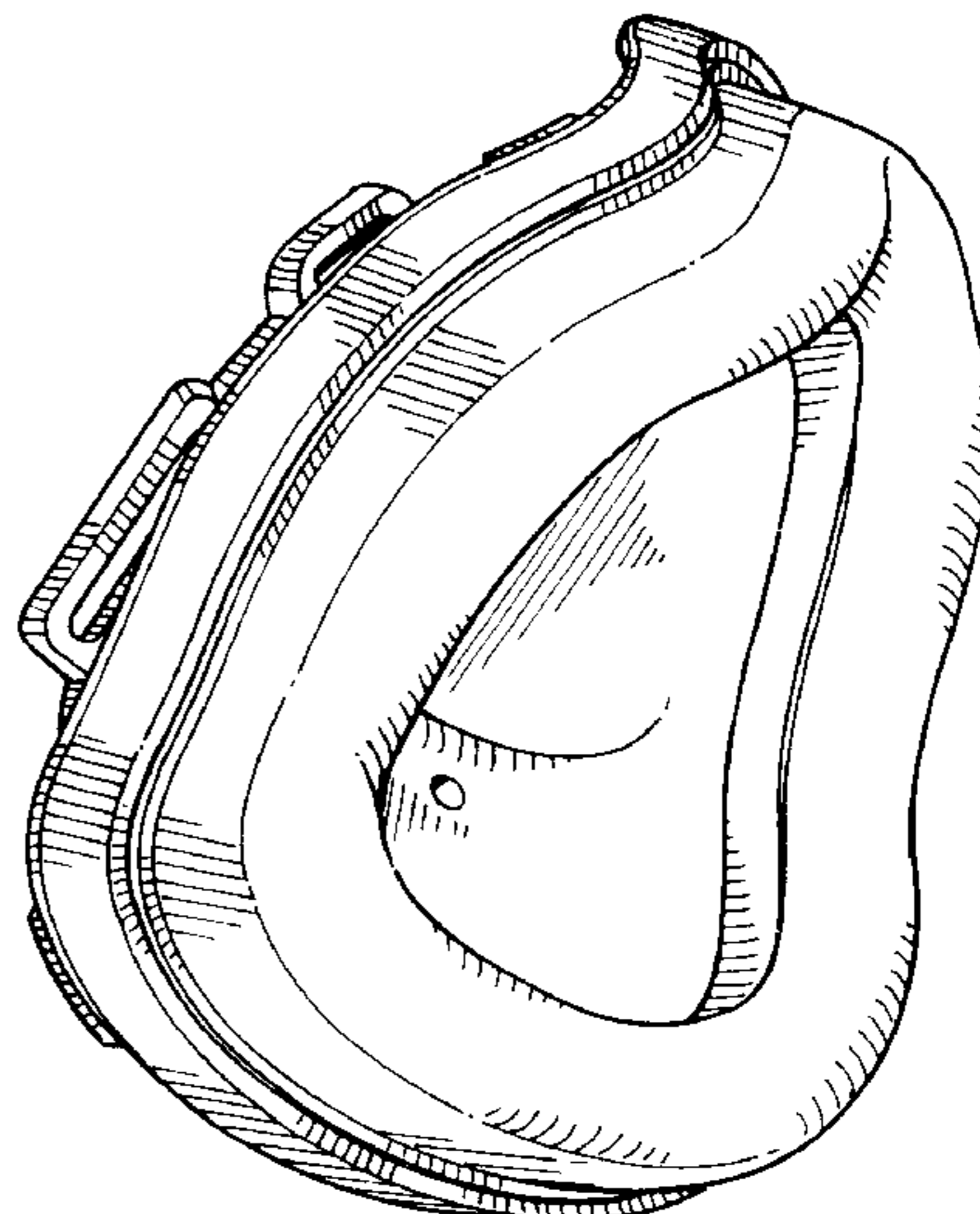
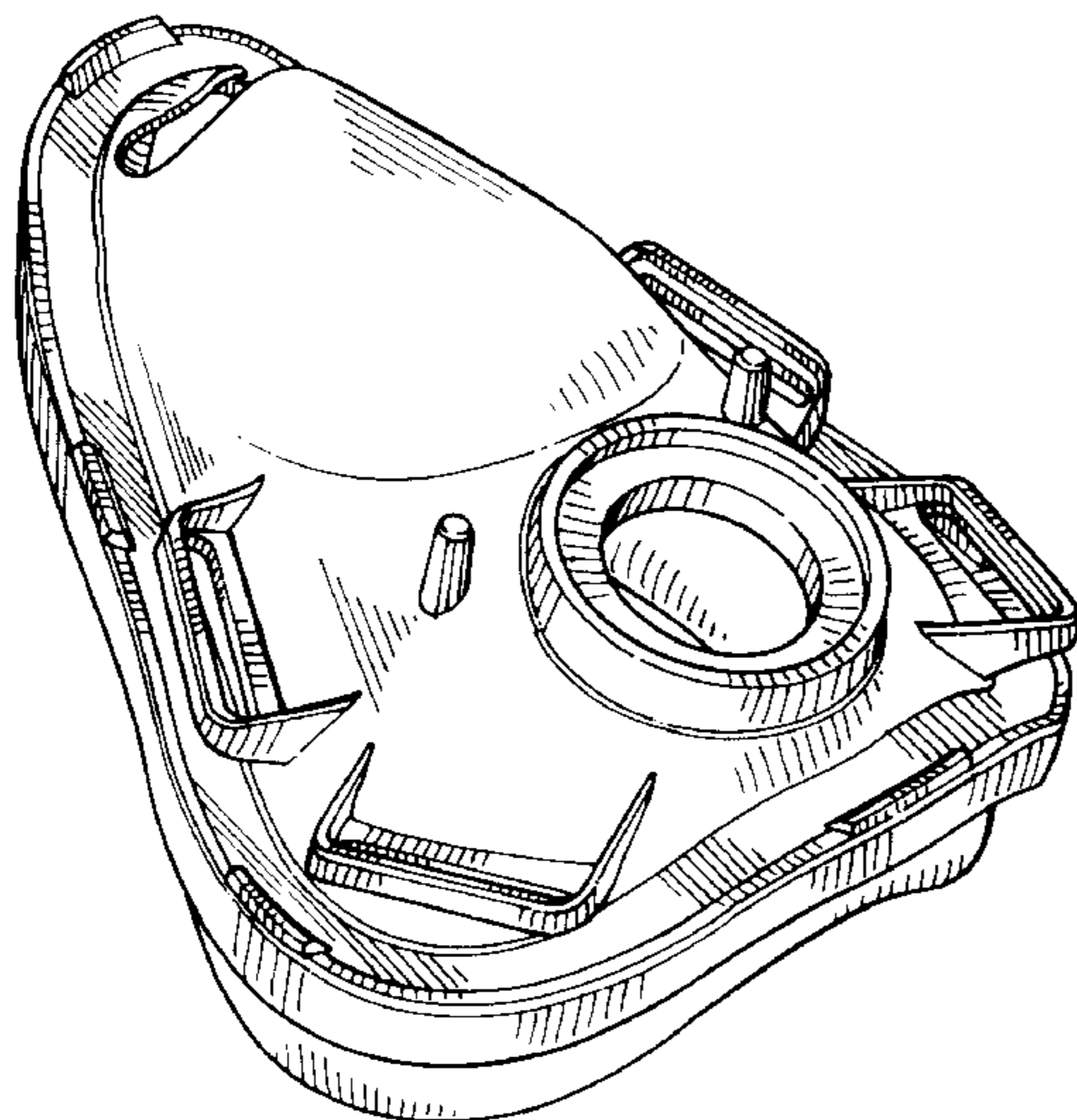
[57] CLAIM

The ornamental design for a mask, as shown and described.

DESCRIPTION

FIG. 1 is a top view;
 FIG. 2 is a front perspective view;
 FIG. 3 is a front view;
 FIG. 4 is a side view;
 FIG. 5 is a rear perspective view;
 FIG. 6 is a rear view; and,
 FIG. 7 is a bottom view.

1 Claim, 3 Drawing Sheets



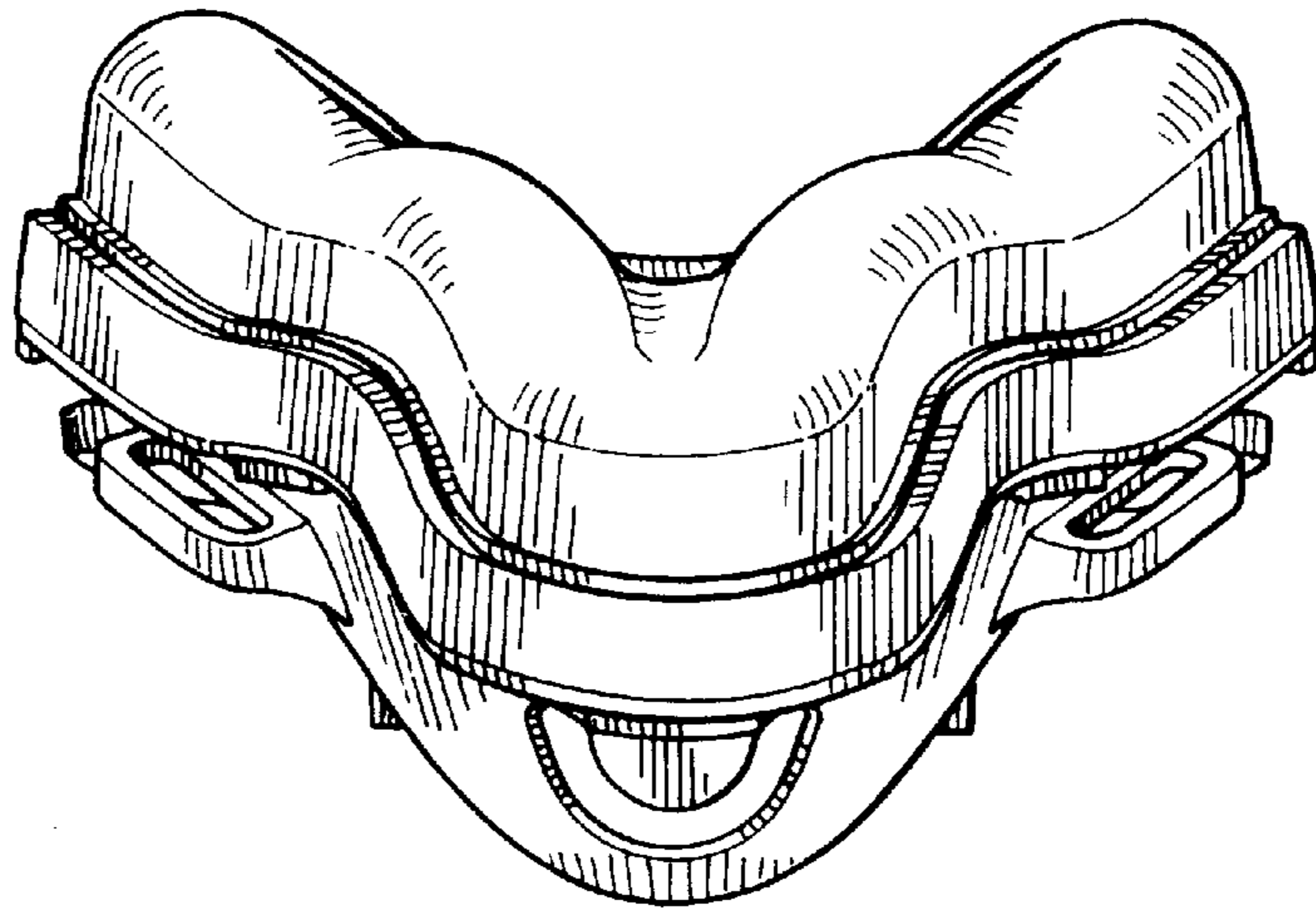


FIG. 1

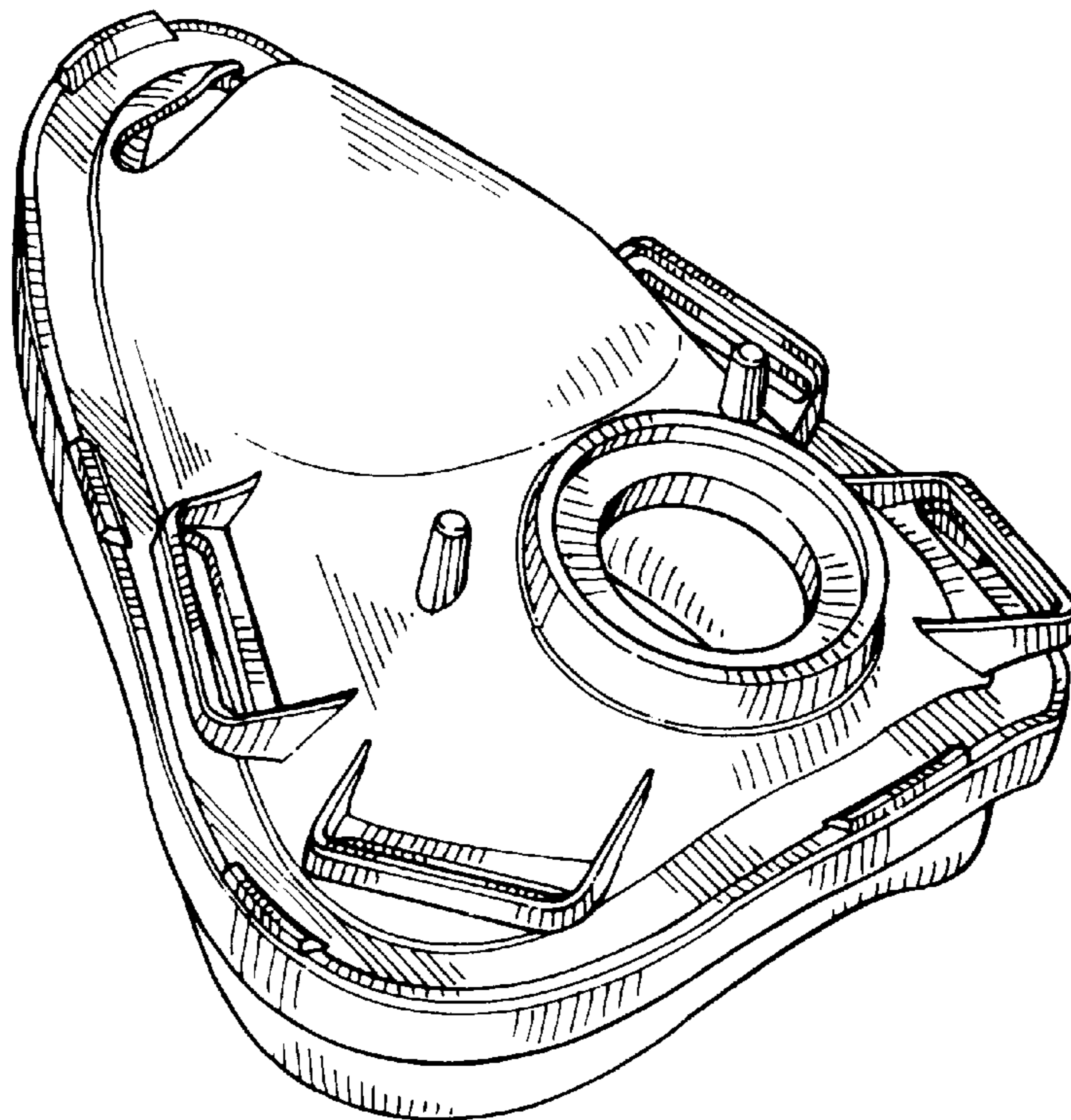


FIG. 2

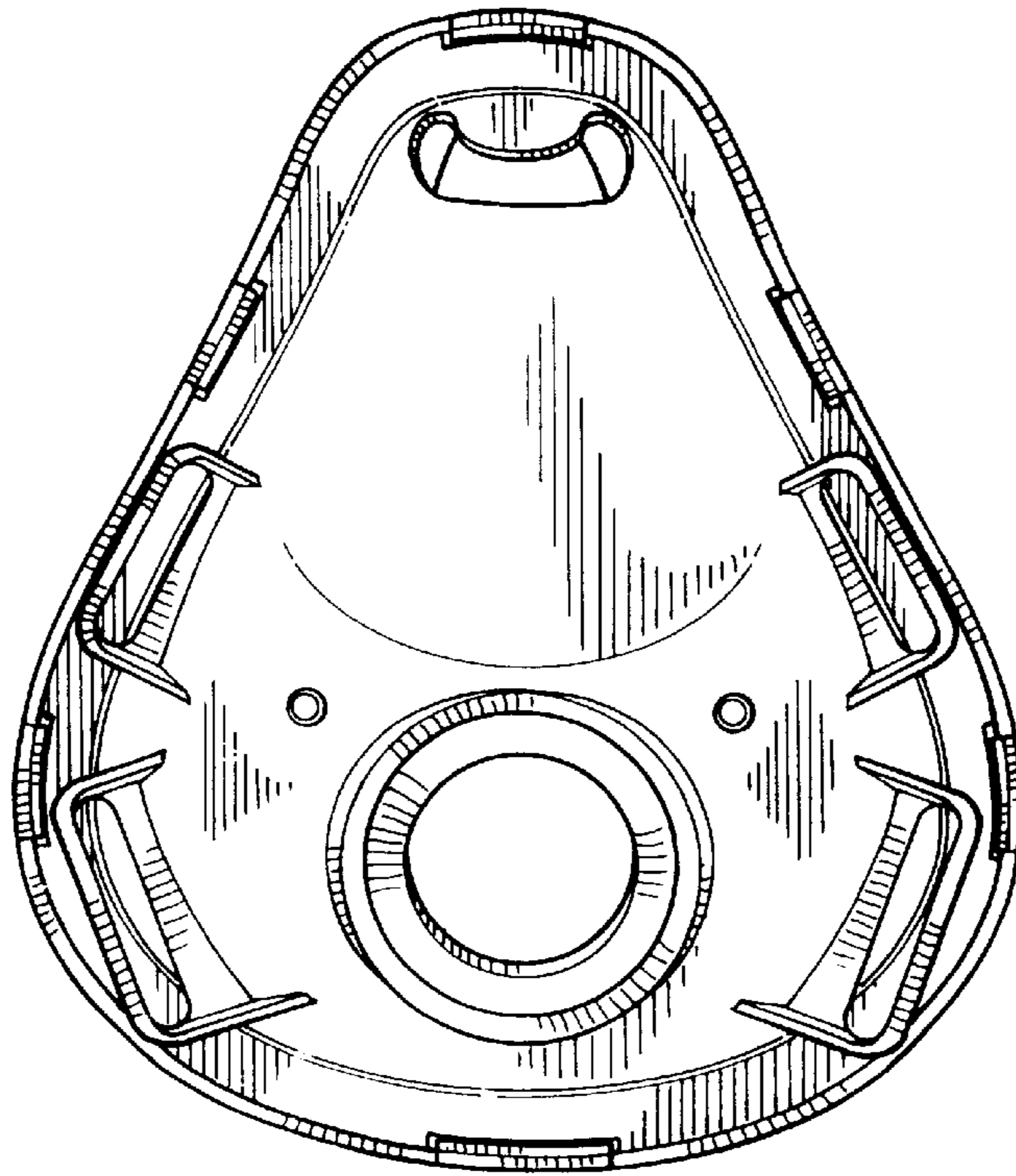


FIG. 3

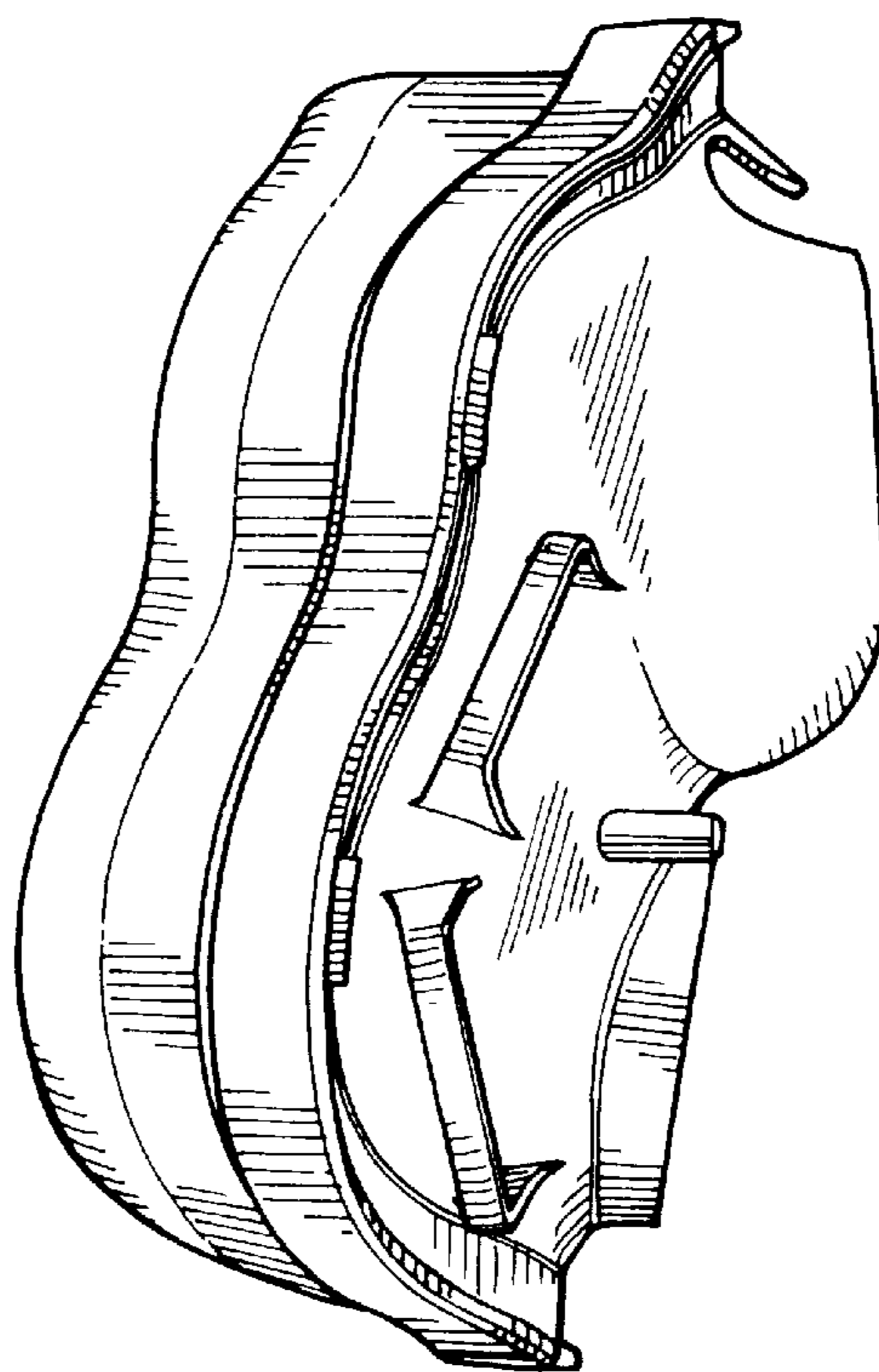


FIG. 4

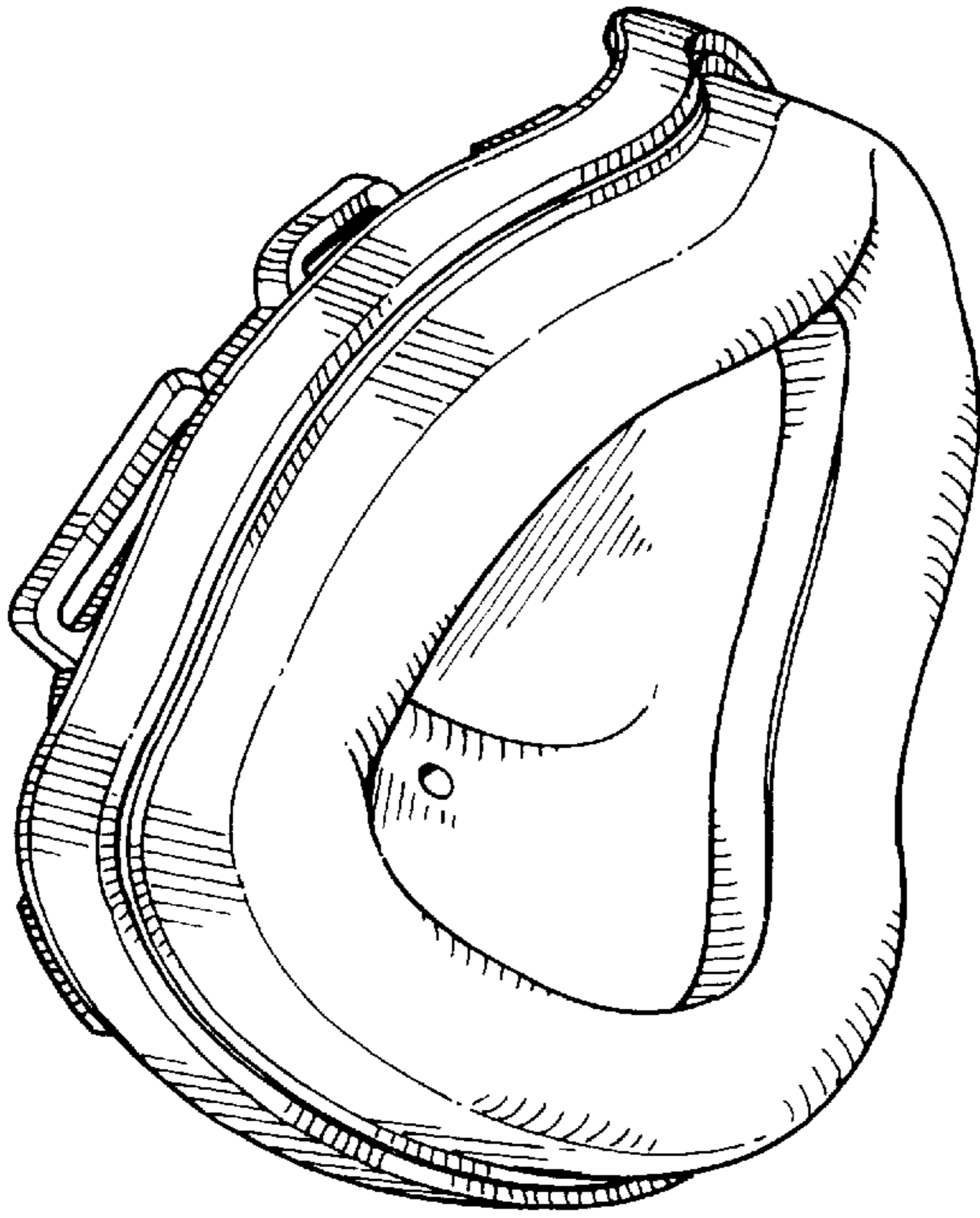


FIG. 5

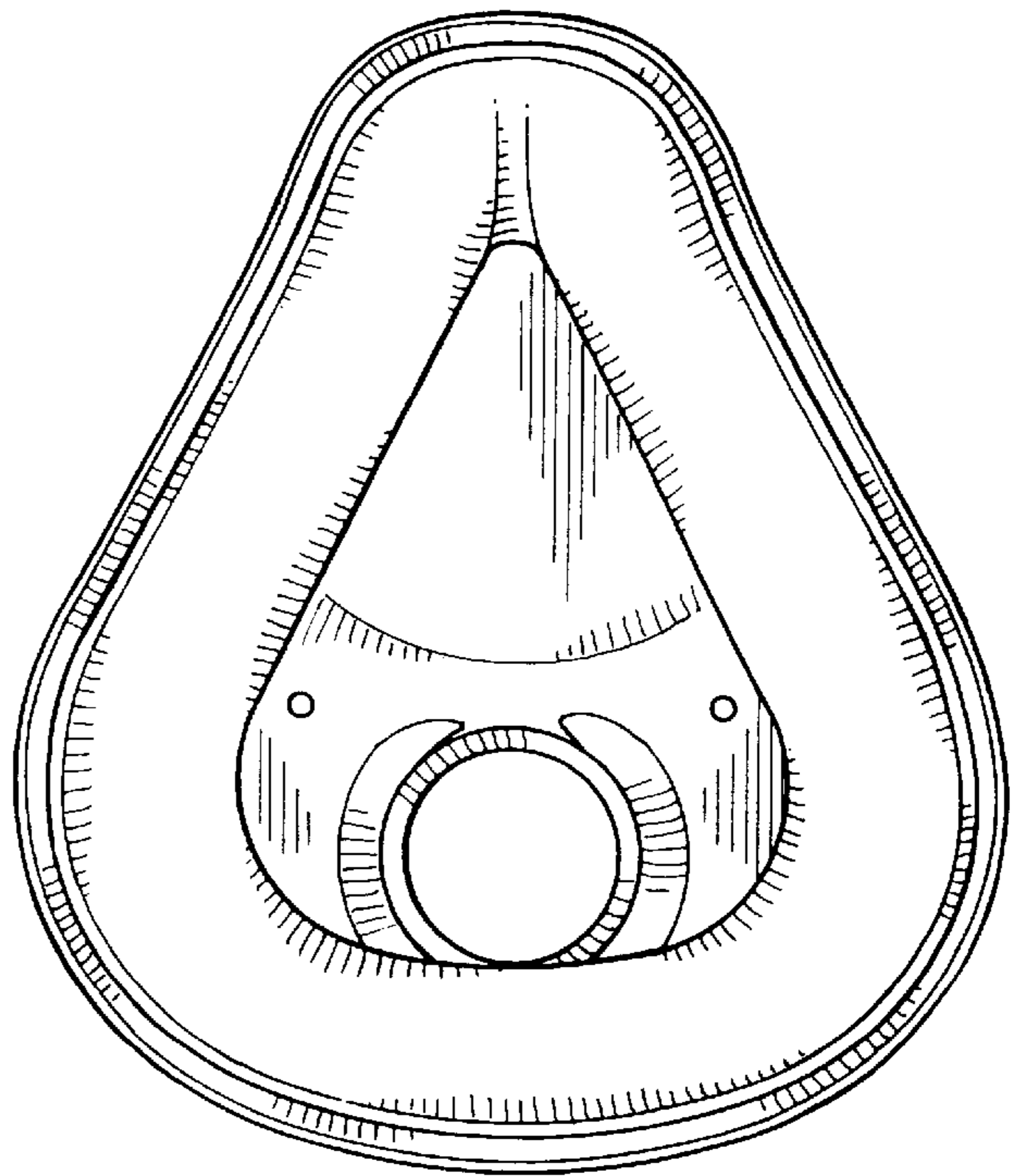


FIG. 6

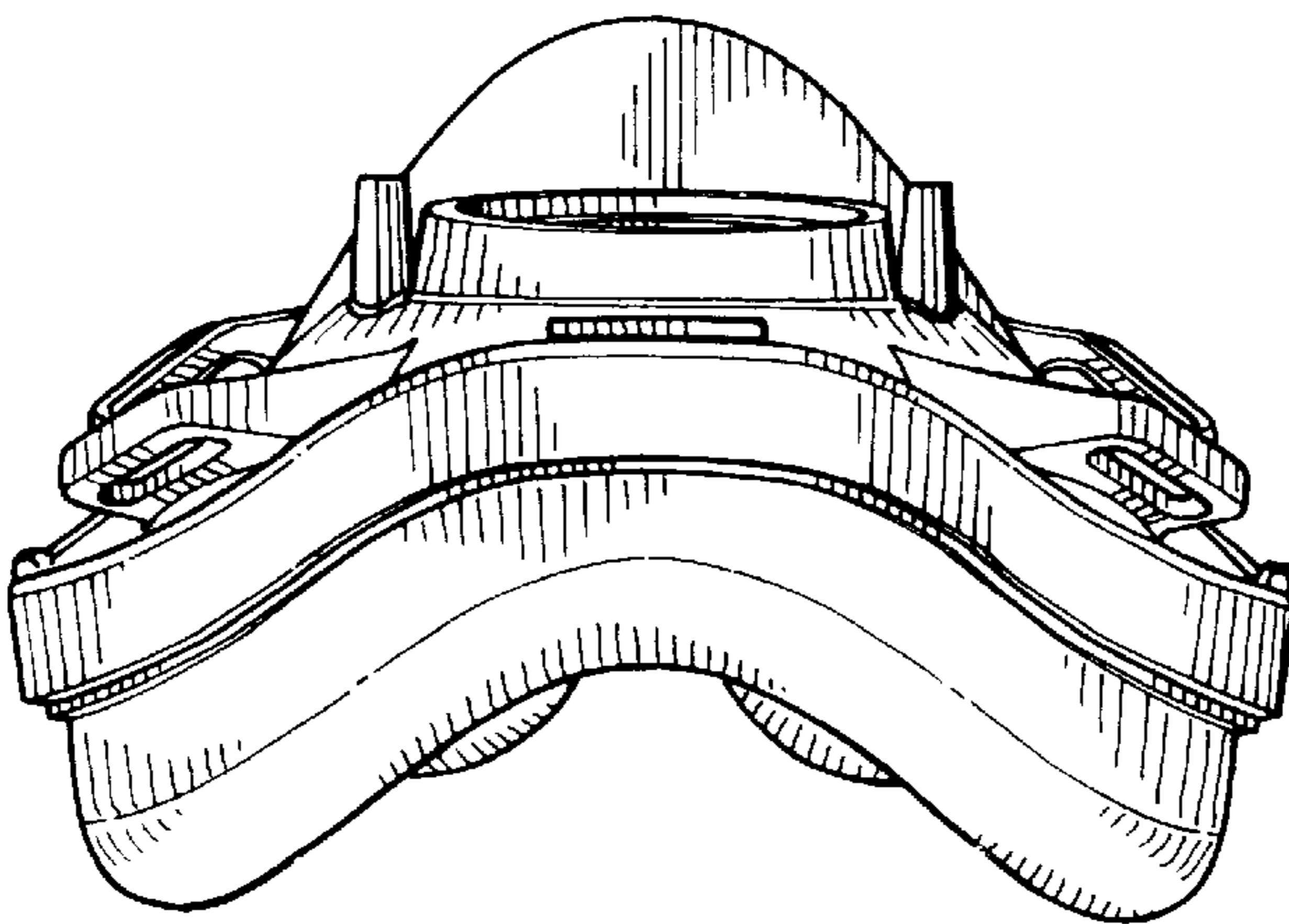


FIG. 7