



US00D430661S

# United States Patent [19]

Doczy

[11] Patent Number: **Des. 430,661**

[45] Date of Patent: **\*\* Sep. 5, 2000**

[54] WINDOW FAN HOUSING

D. 388,163 12/1997 Cunning ..... D23/370  
5,660,605 8/1997 Chan et al. .

[75] Inventor: **Paul Doczy**, Bellaire, Tex.

*Primary Examiner*—Lisa Lichtenstein  
*Attorney, Agent, or Firm*—Hoffmann & Baron, LLP;  
Francis E. Marino

[73] Assignee: **Holmes Products Corporation**,  
Milford, Mass.

[\*\*] Term: **14 Years**

## [57] CLAIM

[21] Appl. No.: **29/107,833**

The ornamental design of a window fan housing, as shown and described.

[22] Filed: **Jul. 14, 1999**

## DESCRIPTION

[51] LOC (7) Cl. .... **23-04**

[52] U.S. Cl. .... **D23/411; D23/370; D23/351;**  
**D23/353; D23/354; D23/381**

FIG. 1 is a front perspective view of a window fan housing showing my new design;  
FIG. 2 is a front view thereof;  
FIG. 3 is a right side view thereof; and,  
FIG. 4 is a left side view thereof.

[58] Field of Search ..... D23/351–354,  
D23/381, 370, 411; 454/208, 201; 416/244 R

The rear view forms no part of the claimed design. The broken-line showing of environmental structure in FIGS. 1–4 is for illustrative purposes only and forms no part of the claimed design.

## [56] References Cited

### U.S. PATENT DOCUMENTS

D. 327,736 7/1992 Shimano et al. .... D23/351  
D. 346,208 4/1994 Smith ..... D23/370

**1 Claim, 3 Drawing Sheets**

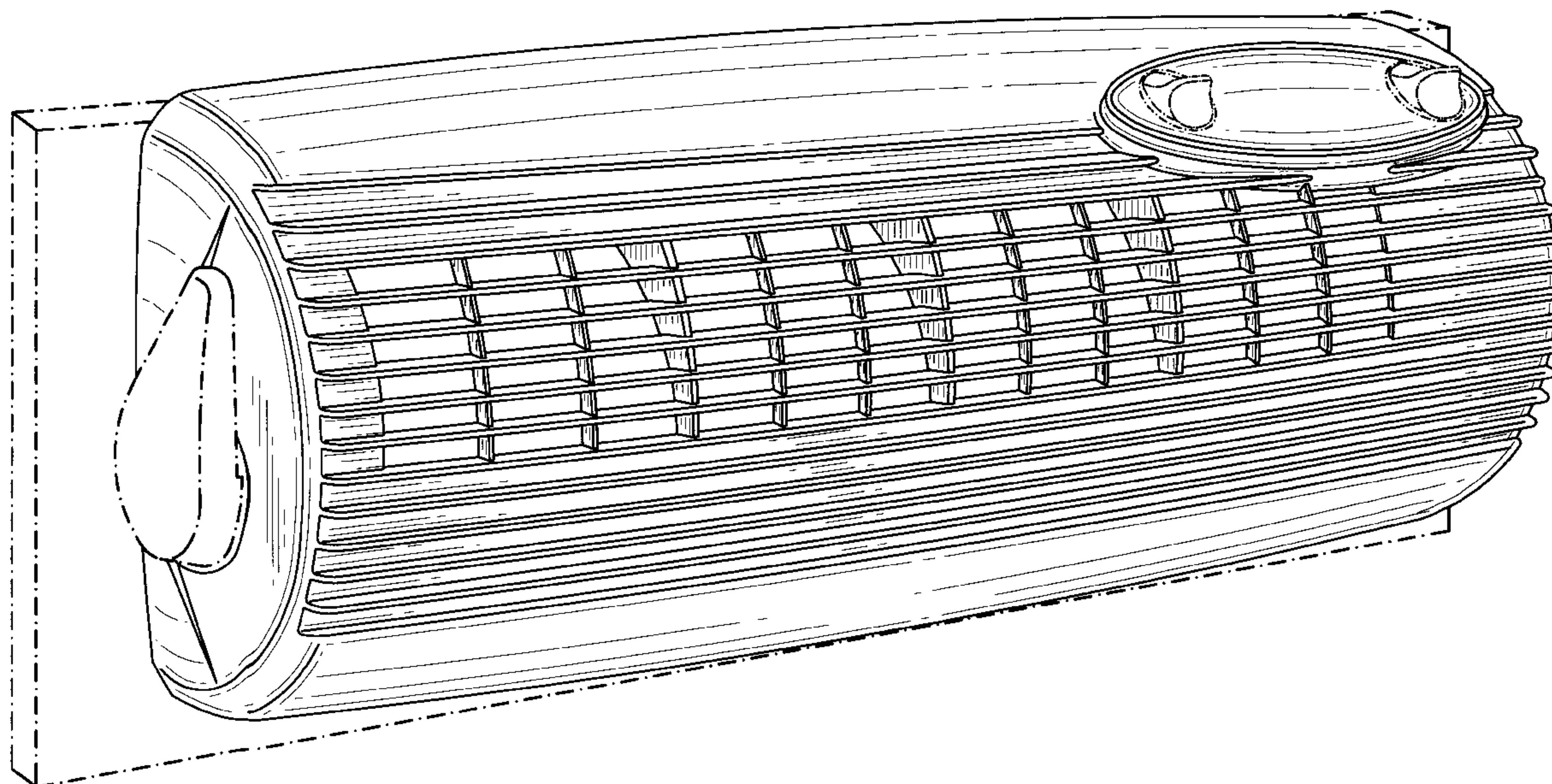


FIG. 1

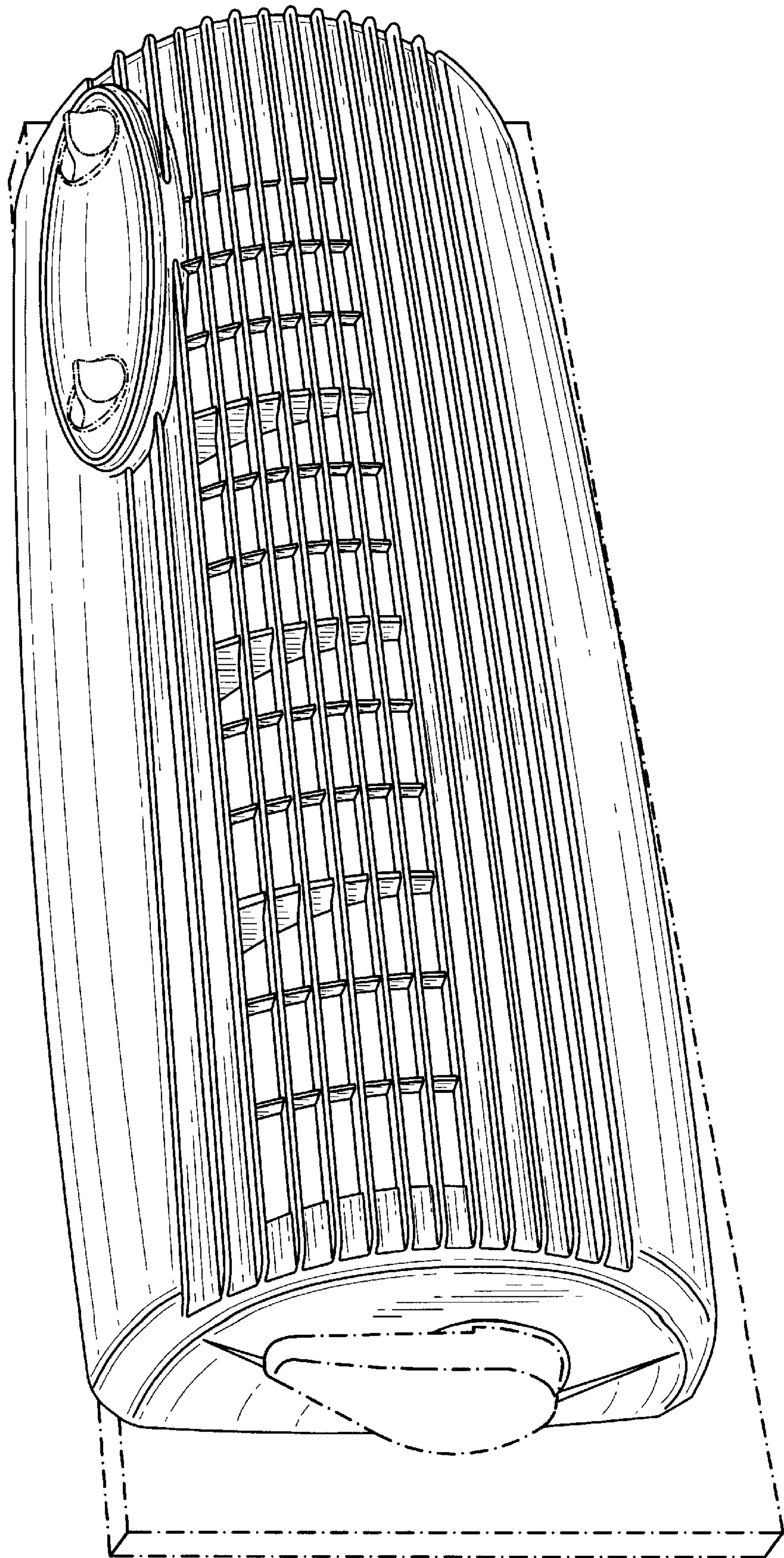


FIG. 2

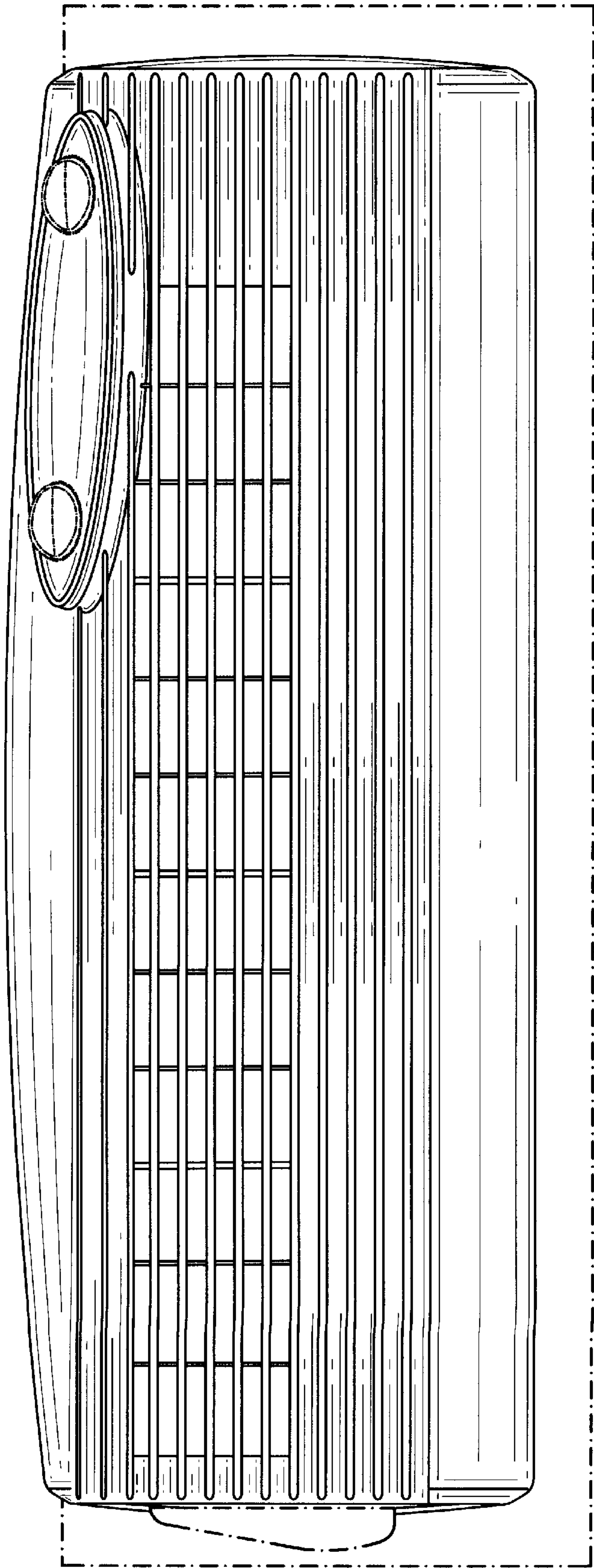


FIG. 4

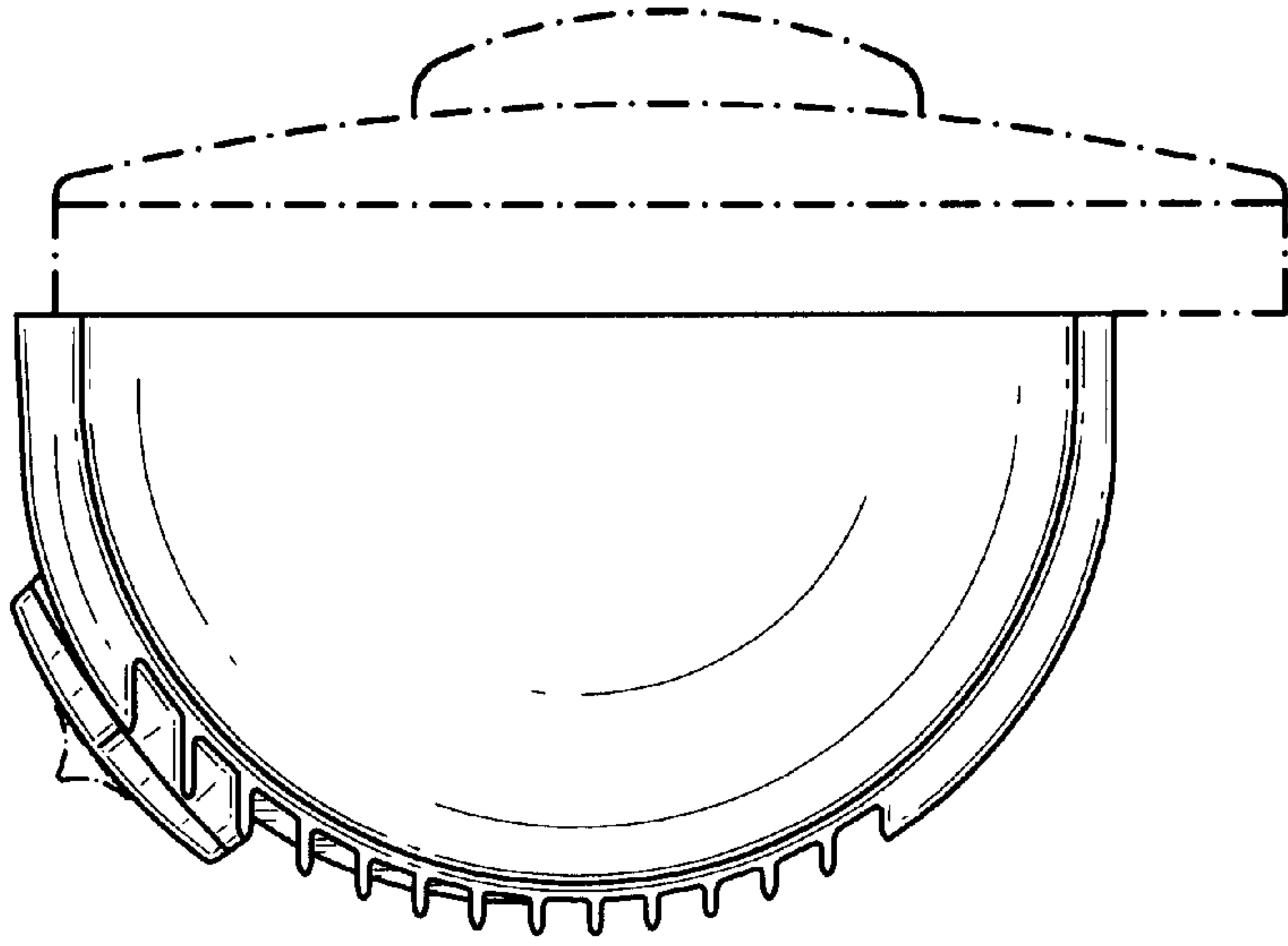


FIG. 3

