

US00D430659S

United States Patent [19]

[11] **Patent Number: Des. 430,659**

Zaragoza et al.

[45] **Date of Patent: ** Sep. 5, 2000**

[54] **ELECTRIC AIR FRESHENER**

D. 357,330	4/1995	Wong et al.	D23/366
D. 379,652	6/1997	Okamoto	D23/367
3,433,939	3/1969	Lothman	239/55
3,818,212	6/1974	Rochford et al.	362/226

[75] Inventors: **Robert Zaragoza**, Woodmere, N.Y.;
Michael Koulermos, Columbus, Ohio;
Anthony Zembrodt, Covington, Ky.;
Richard Ruffolo, Columbus, Ohio

Primary Examiner—Lisa Lichtenstein
Attorney, Agent, or Firm—Colucci & Umans

[73] Assignee: **Bath & Body Works, Inc.**,
Reynoldsburg, Ohio

[57] **CLAIM**

[**] Term: **14 Years**

The ornamental design for an electric air freshener, as shown and described.

[21] Appl. No.: **29/116,413**

DESCRIPTION

[22] Filed: **Jan. 3, 2000**

[51] **LOC (7) Cl.** **23-04**

[52] **U.S. Cl.** **D23/367**

[58] **Field of Search** D23/366-369;
D26/73, 26; 362/226; 239/211, 54, 34,
60, 55, 56; 261/DIG. 65

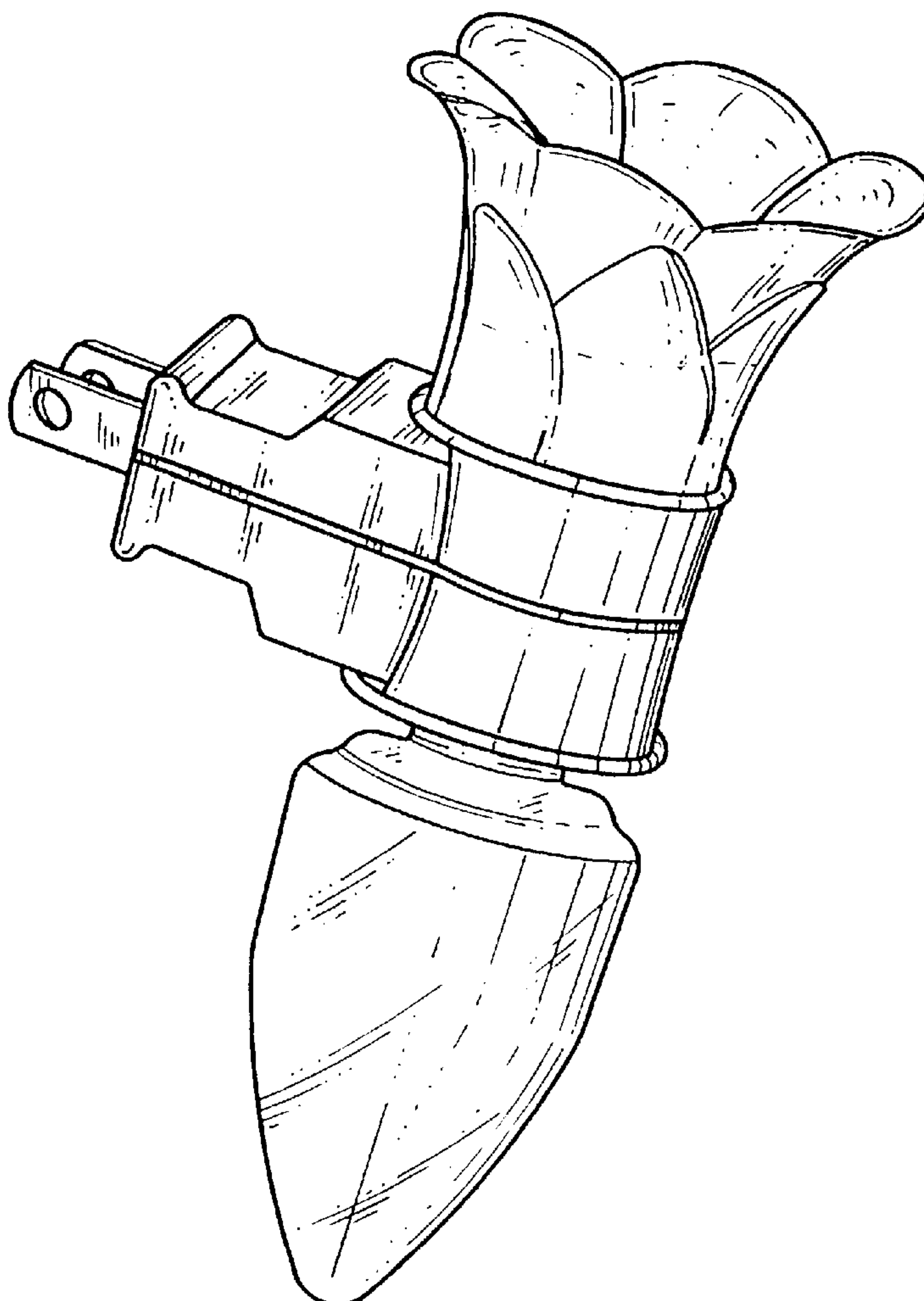
FIG. 1 is a front, top right side perspective view of an electric air freshener showing our design therefor;
FIG. 2 is a left side elevational view thereof;
FIG. 3 is a front elevational view thereof;
FIG. 4 is a top plan view thereof;
FIG. 5 is a bottom plan view thereof; and,
FIG. 6 is a rear elevational view thereof.

[56] **References Cited**

U.S. PATENT DOCUMENTS

D. 188,213 6/1960 Barto D26/73

1 Claim, 4 Drawing Sheets



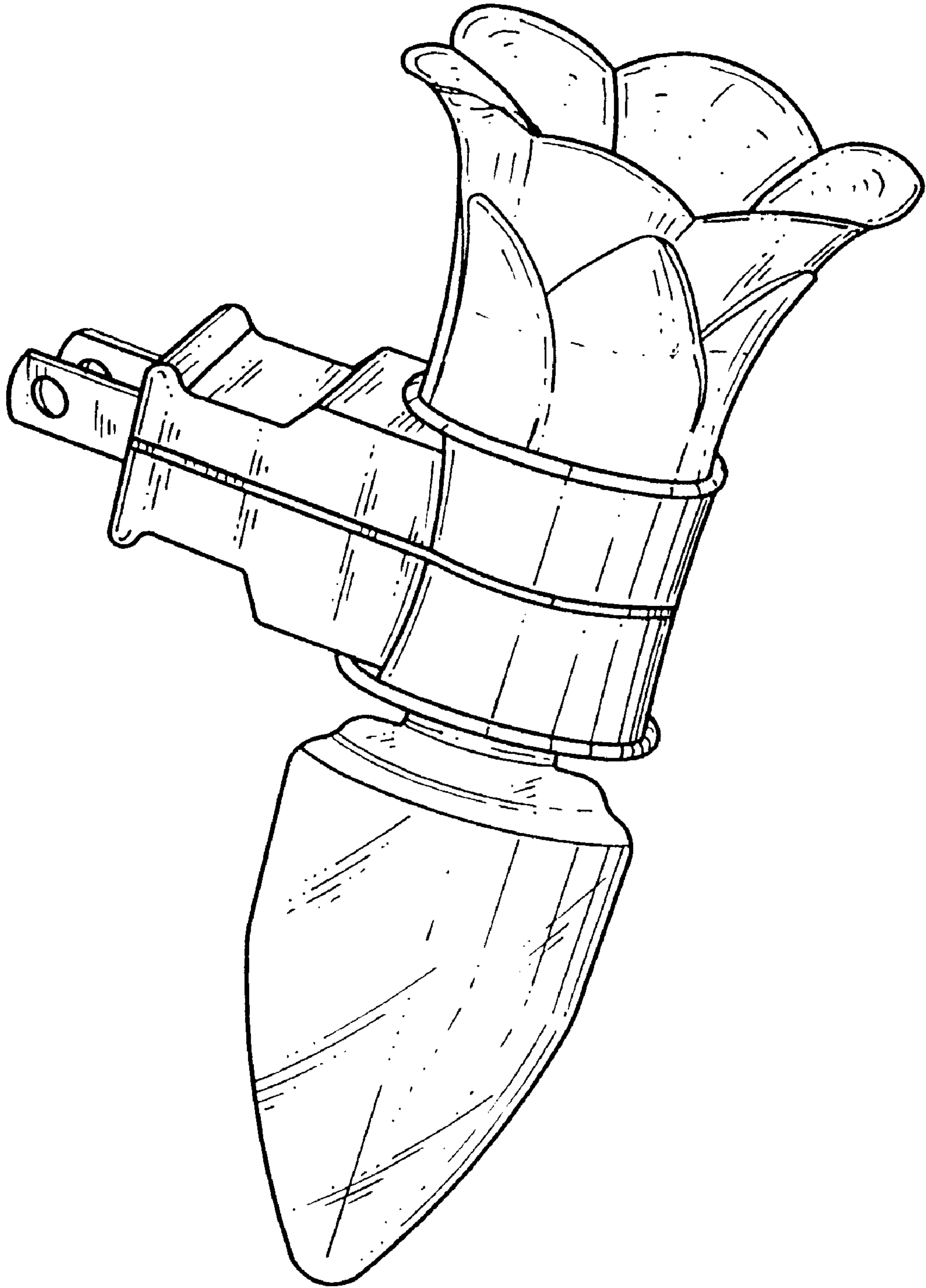


FIG. 1

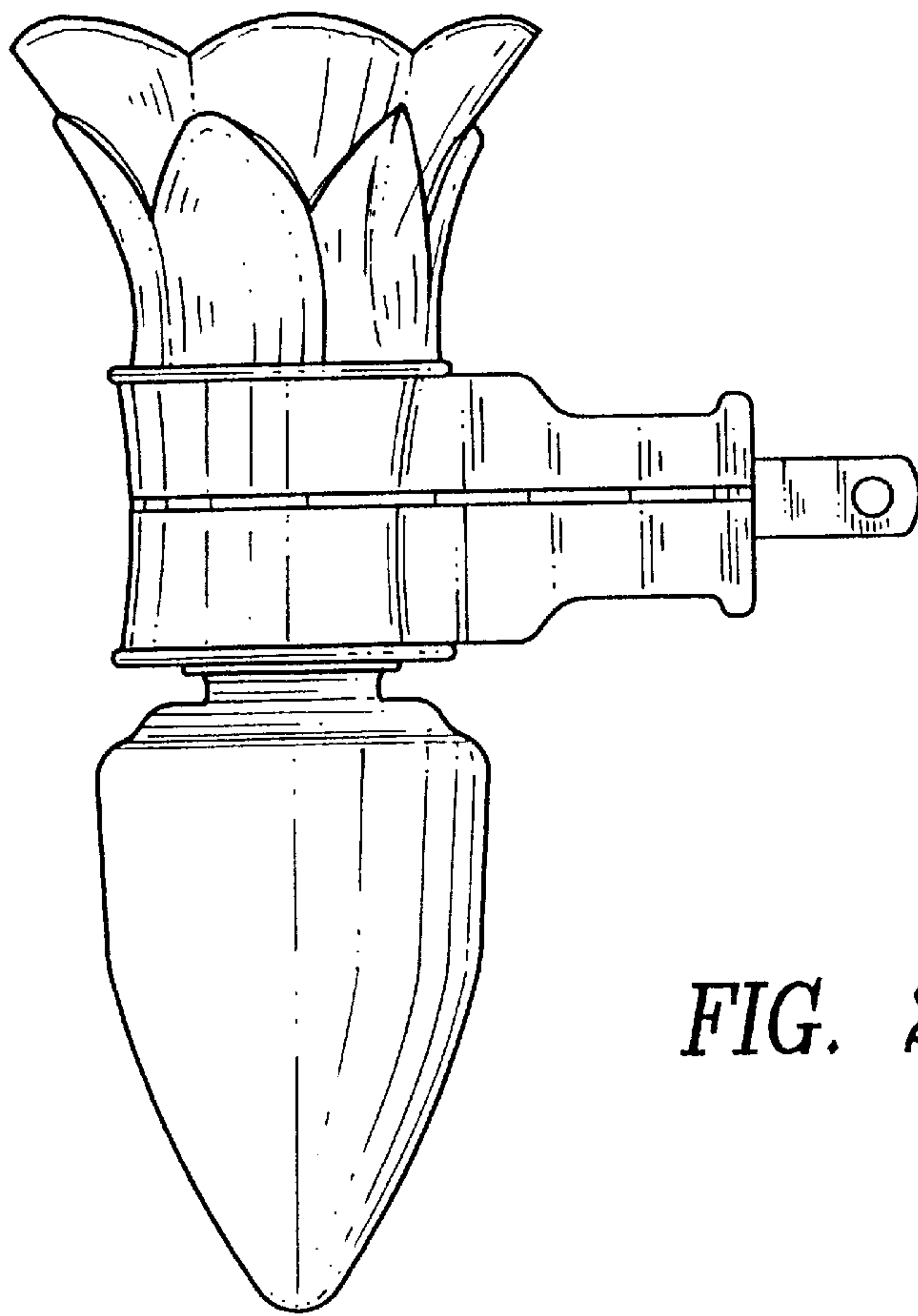


FIG. 2

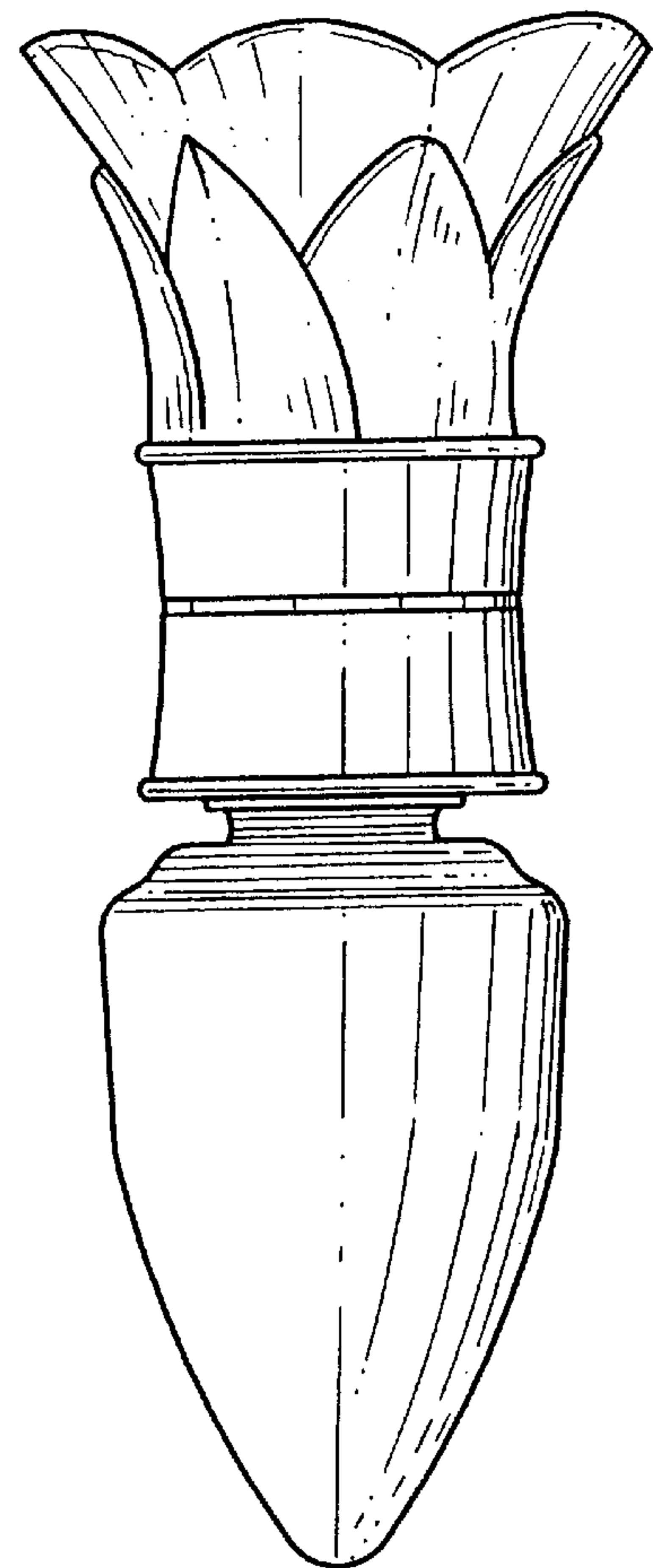


FIG. 3

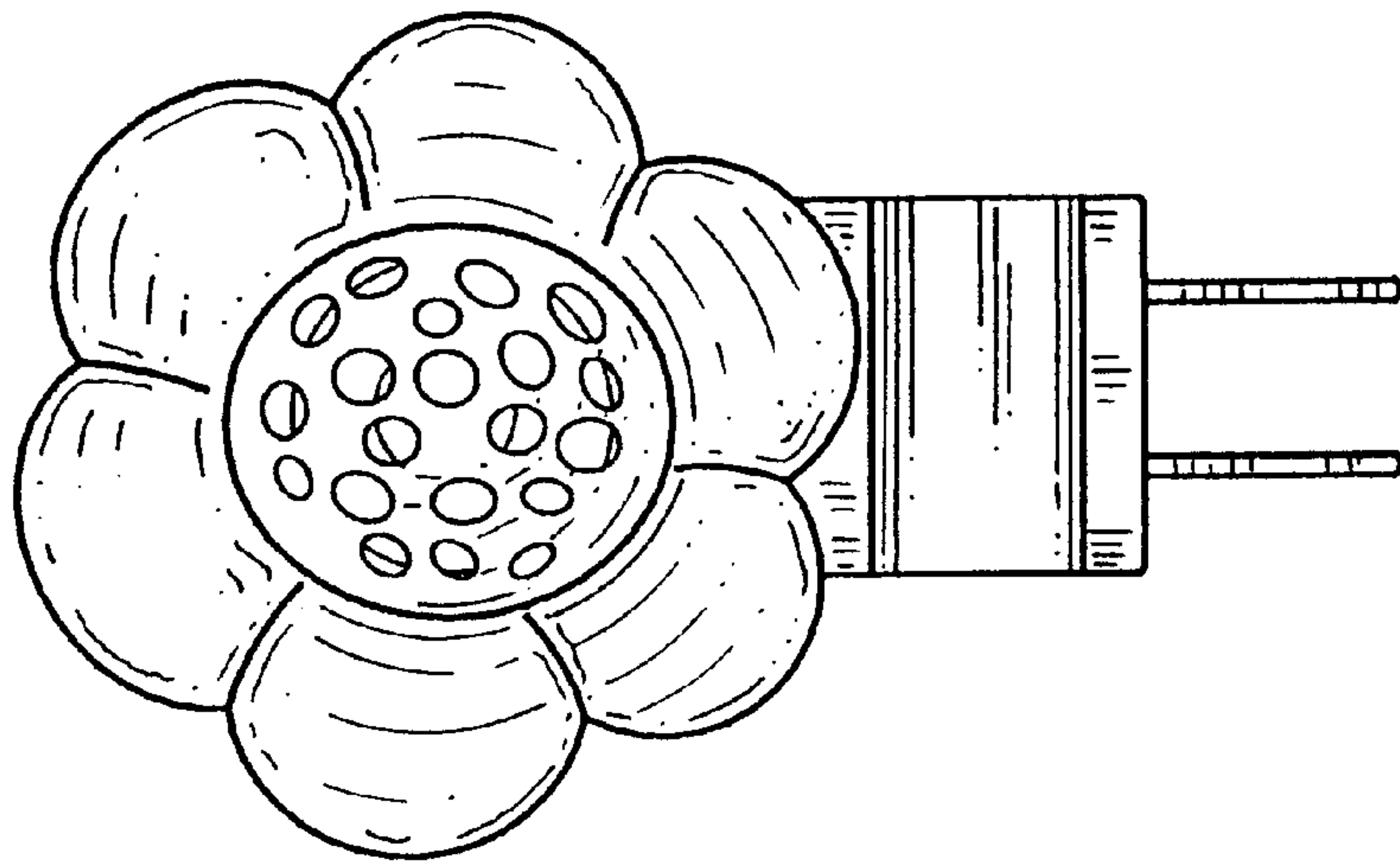


FIG. 4

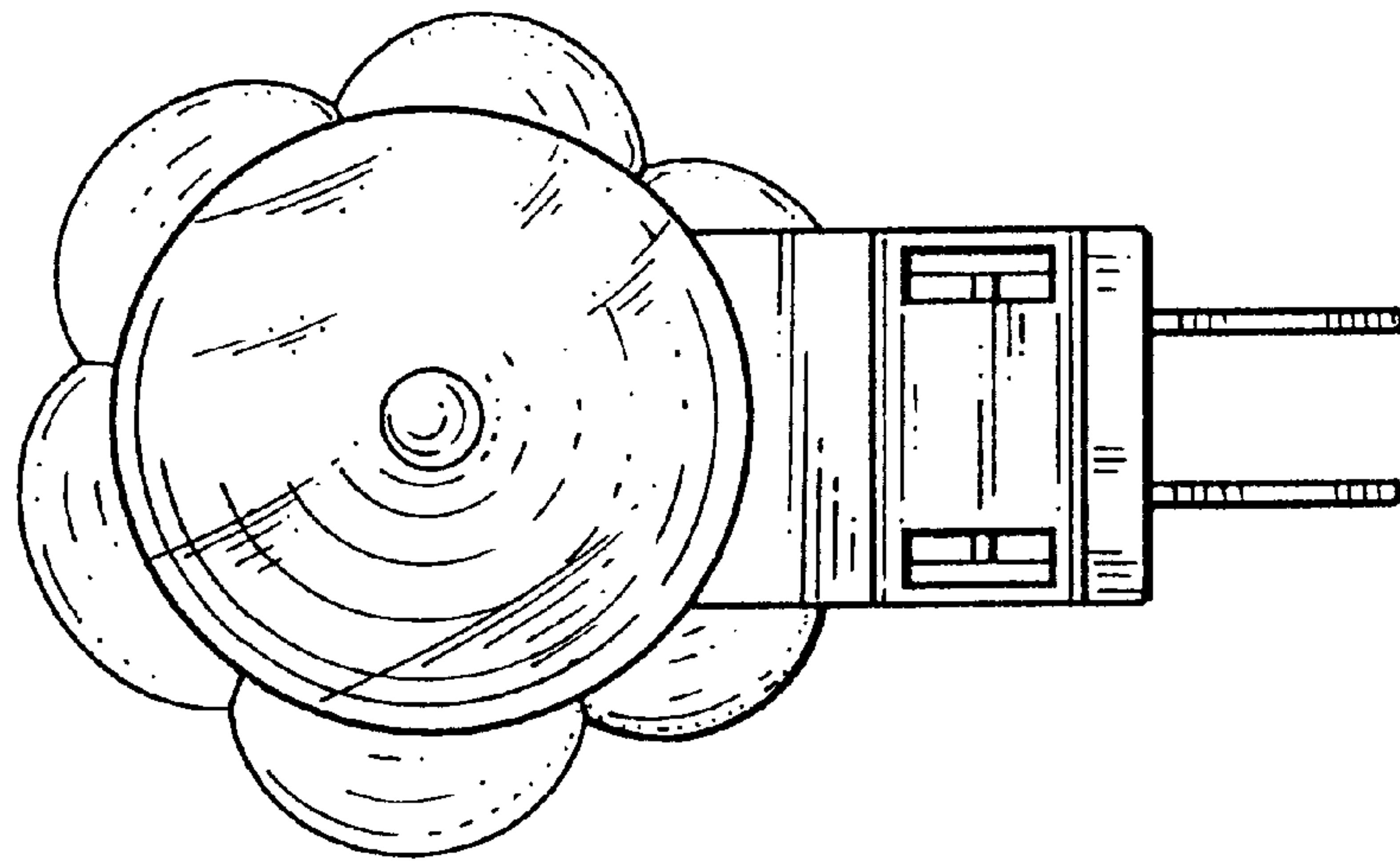


FIG. 5

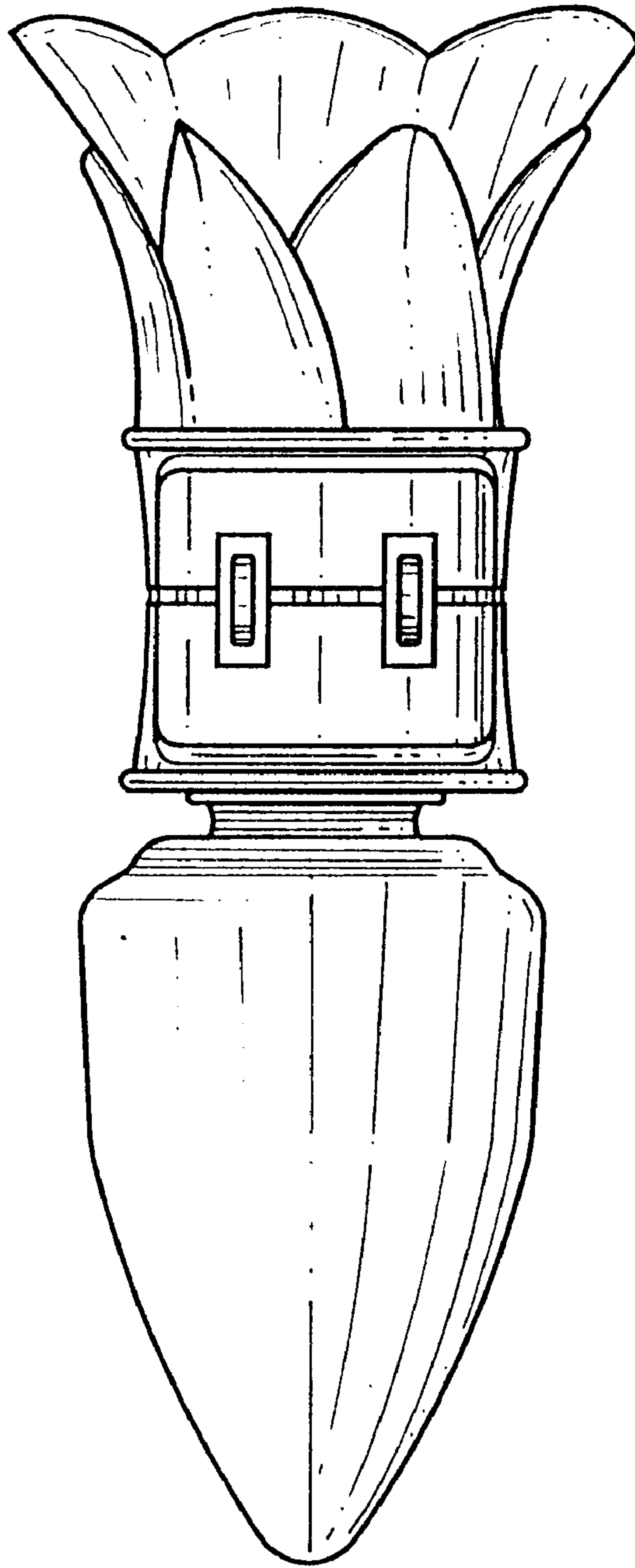


FIG. 6