



US00D430656S

United States Patent [19]

Farrage et al.

[11] Patent Number: Des. 430,656

[45] Date of Patent: ** Sep. 5, 2000

[54] HUMIDIFIER

2,576,110 11/1951 Fisher D23/360

[75] Inventors: **David Peter Farrage**, Cliffside Park; **Stephen Russak**, Fort Lee, both of N.J.; **Tony Teh-Feng Tsai**, Tainan, Taiwan

Primary Examiner—Lisa Lichtenstein
Attorney, Agent, or Firm—Darby & Darby

[73] Assignee: **Kaz, Inc.**, New York, N.Y.

[57] **CLAIM**

The ornamental design for a humidifier, as shown and described.

[**] Term: **14 Years**

DESCRIPTION

[21] Appl. No.: **29/116,327**

[22] Filed: **Dec. 30, 1999**

[51] **LOC (7) Cl.** **23-04**

[52] **U.S. Cl.** **D23/356; D23/358**

[58] **Field of Search** **D23/356-363; 261/DIG. 48, DIG. 65; 422/120, 305**

FIG. 1 is a top perspective view of the humidifier; FIG. 2 is a front elevation view of the humidifier; FIG. 3 is a rear elevation view of the humidifier; FIG. 4 is a top plan view of the humidifier; FIG. 5 is a bottom plan view of the humidifier; FIG. 6 is a left side elevation view of the humidifier; and, FIG. 7 is a right side elevation view of the humidifier.

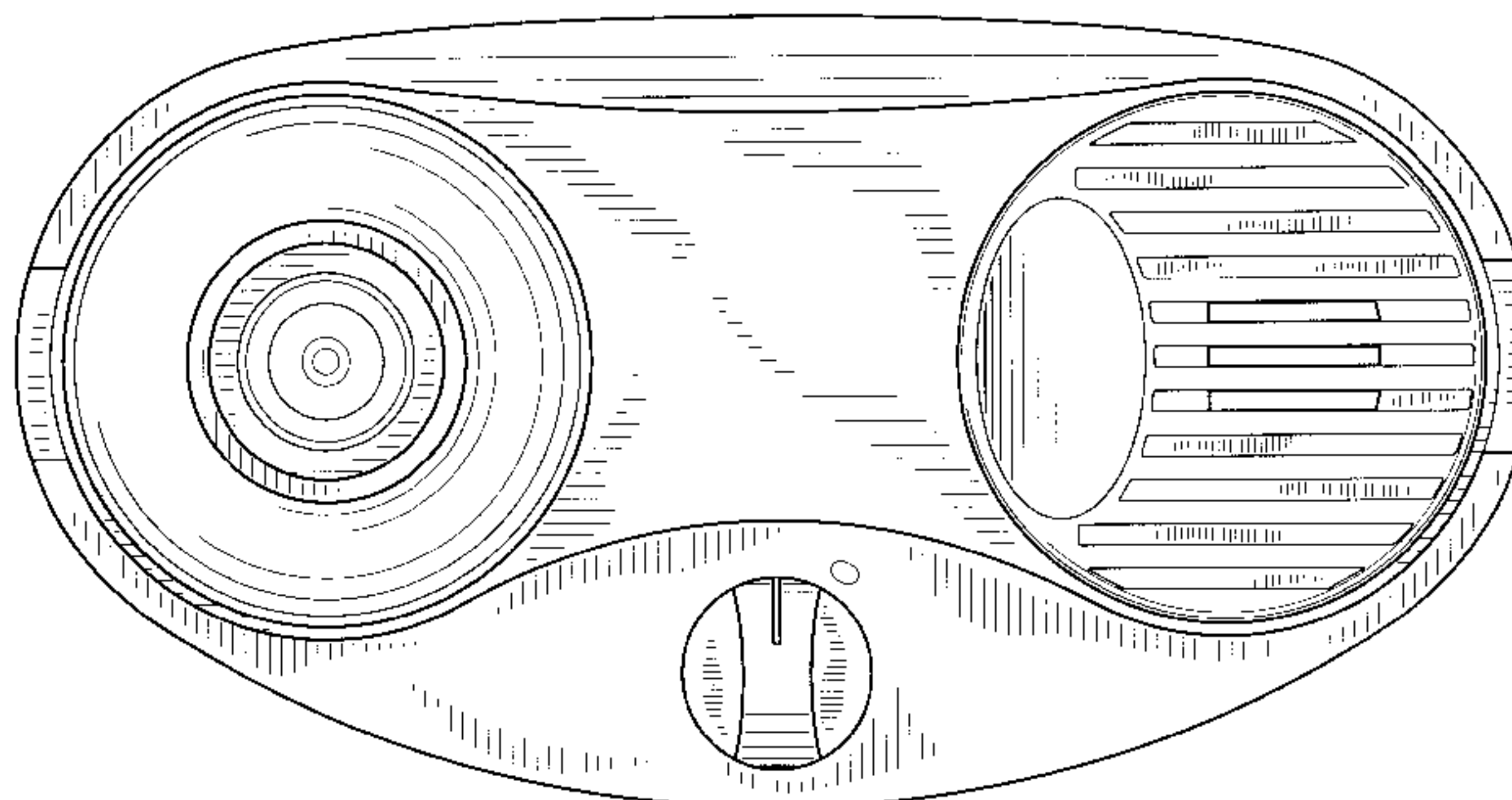
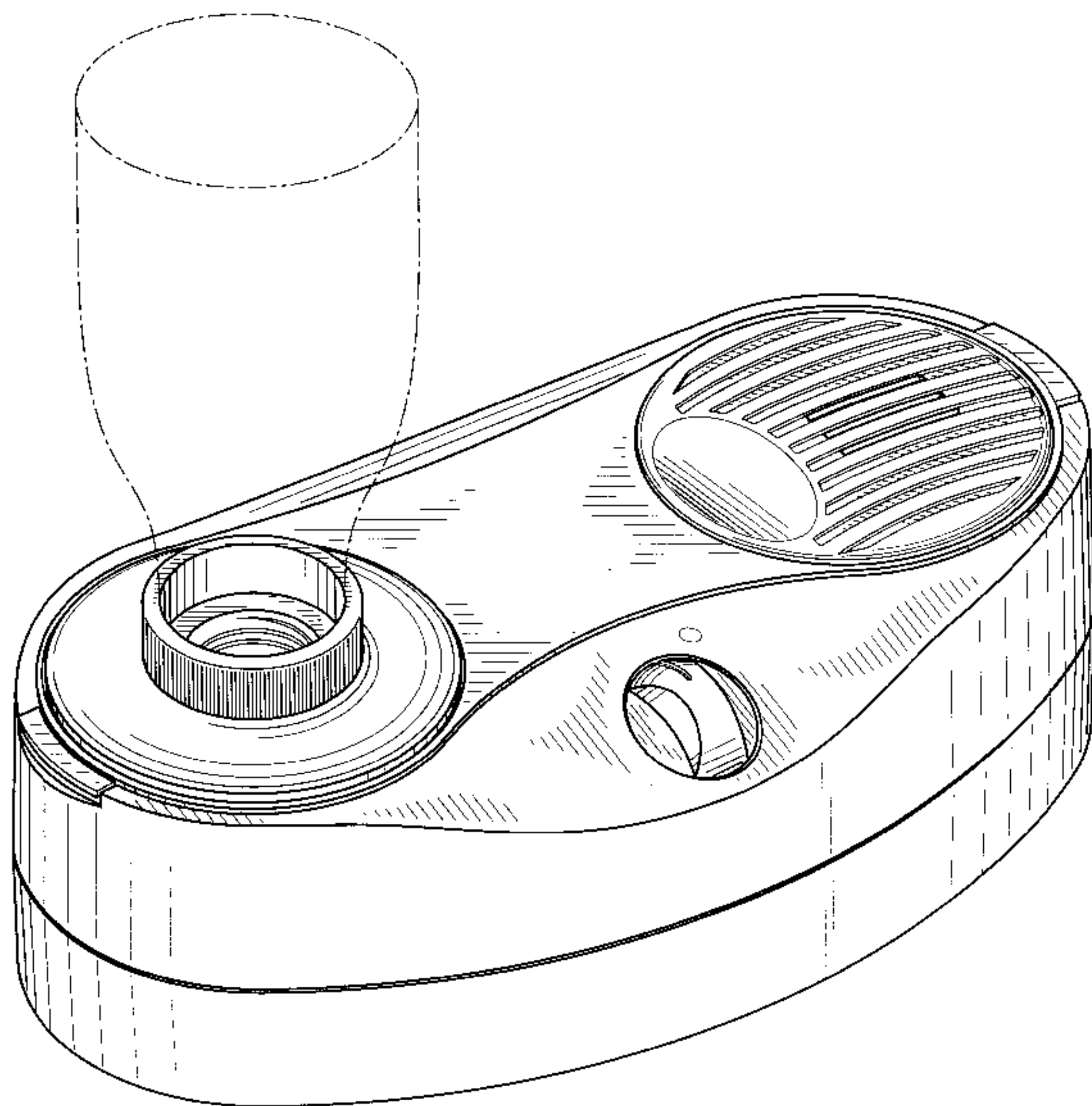
The broken line showing of environmental structure in FIG. 1 is for illustrative purposes only and forms no part of the claimed design.

[56] **References Cited**

U.S. PATENT DOCUMENTS

D. 213,560 3/1969 Luedtke D23/360

1 Claim, 5 Drawing Sheets



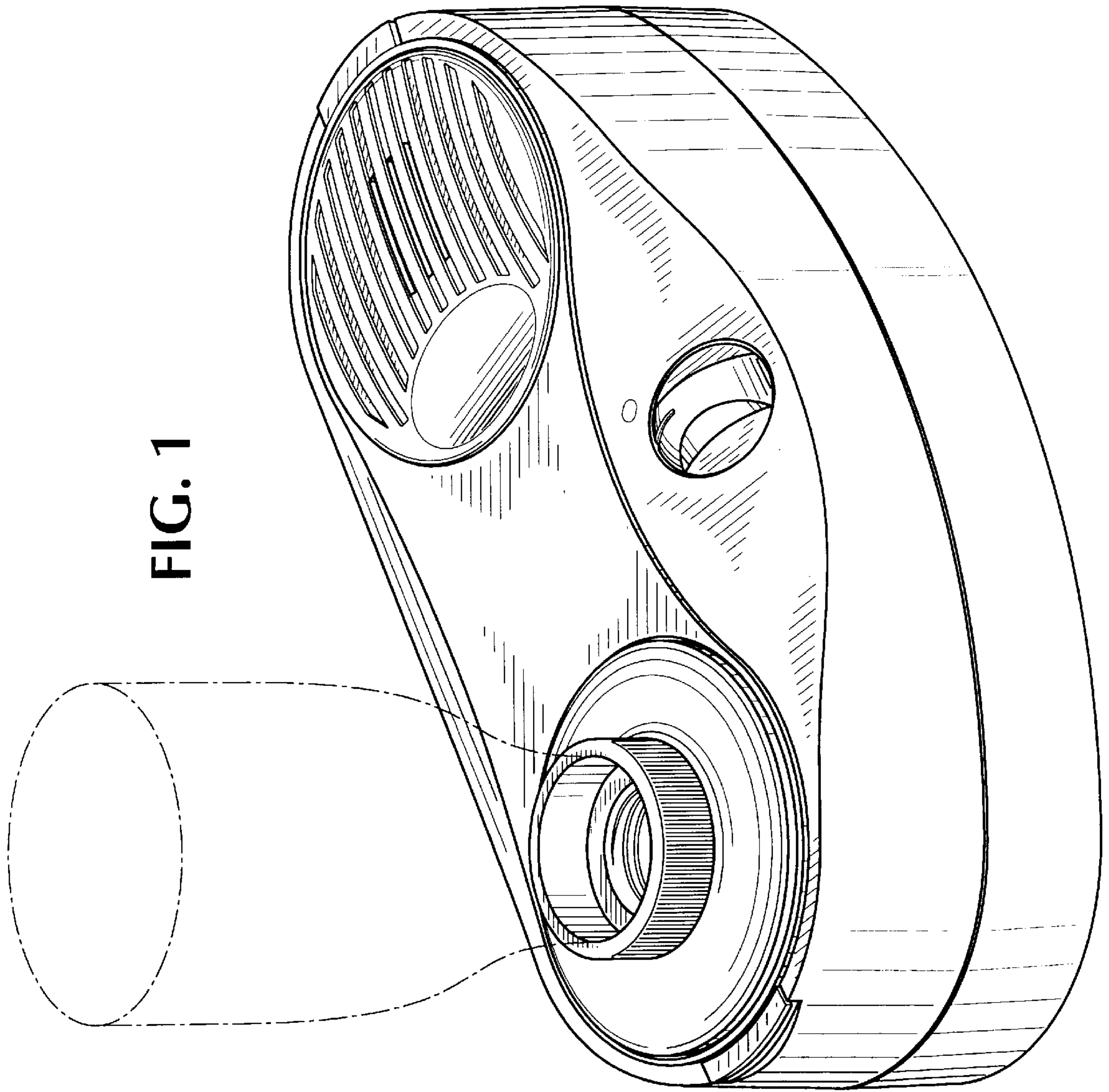


FIG. 1

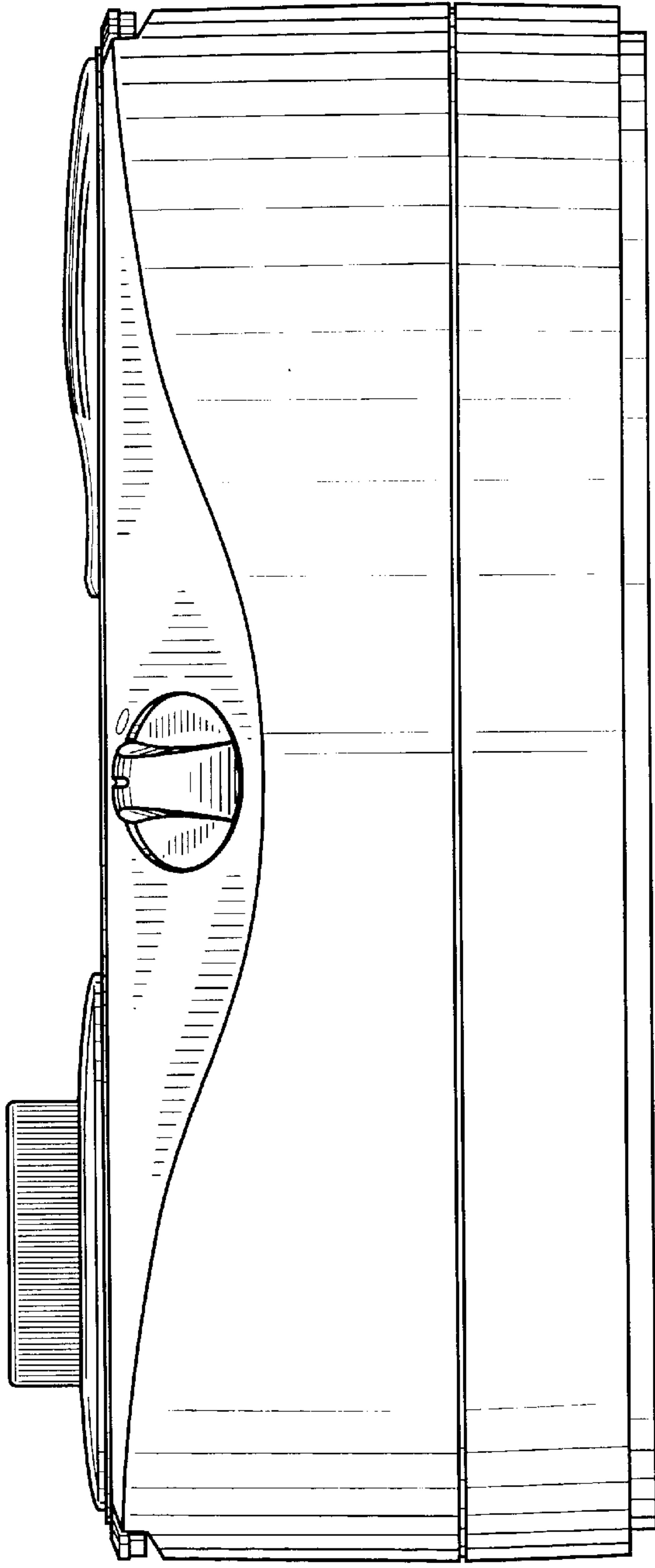


FIG. 2

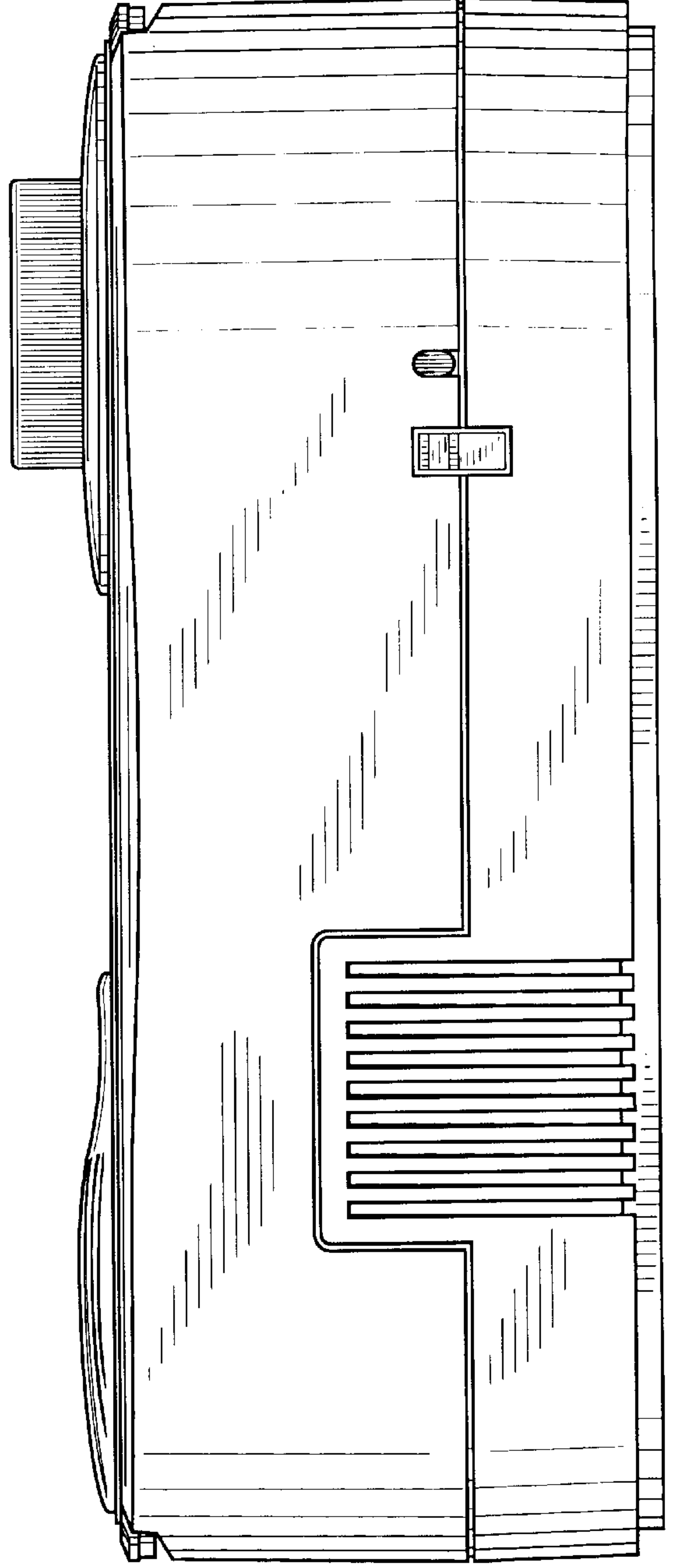


FIG. 3

FIG. 4

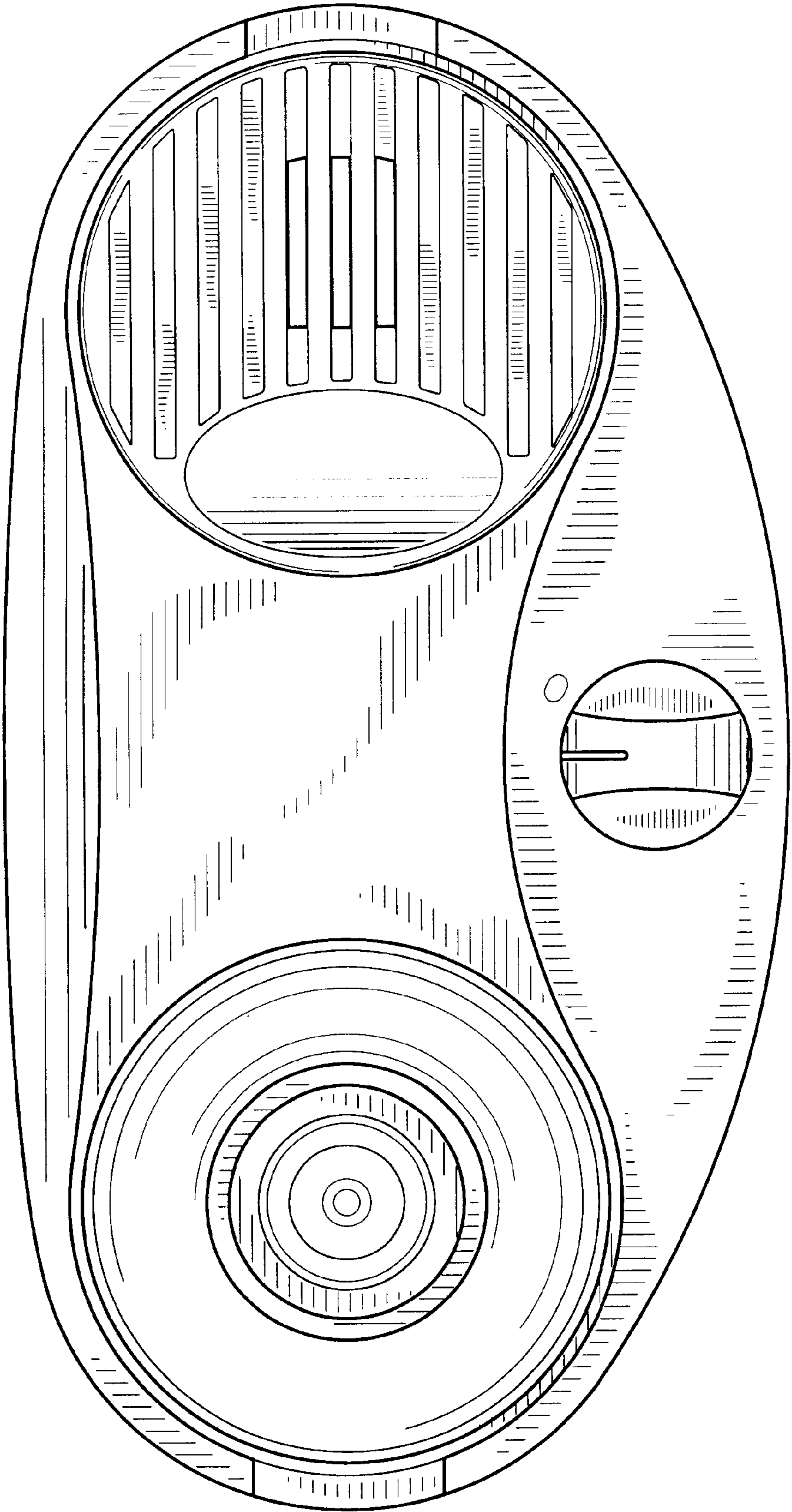


FIG. 5

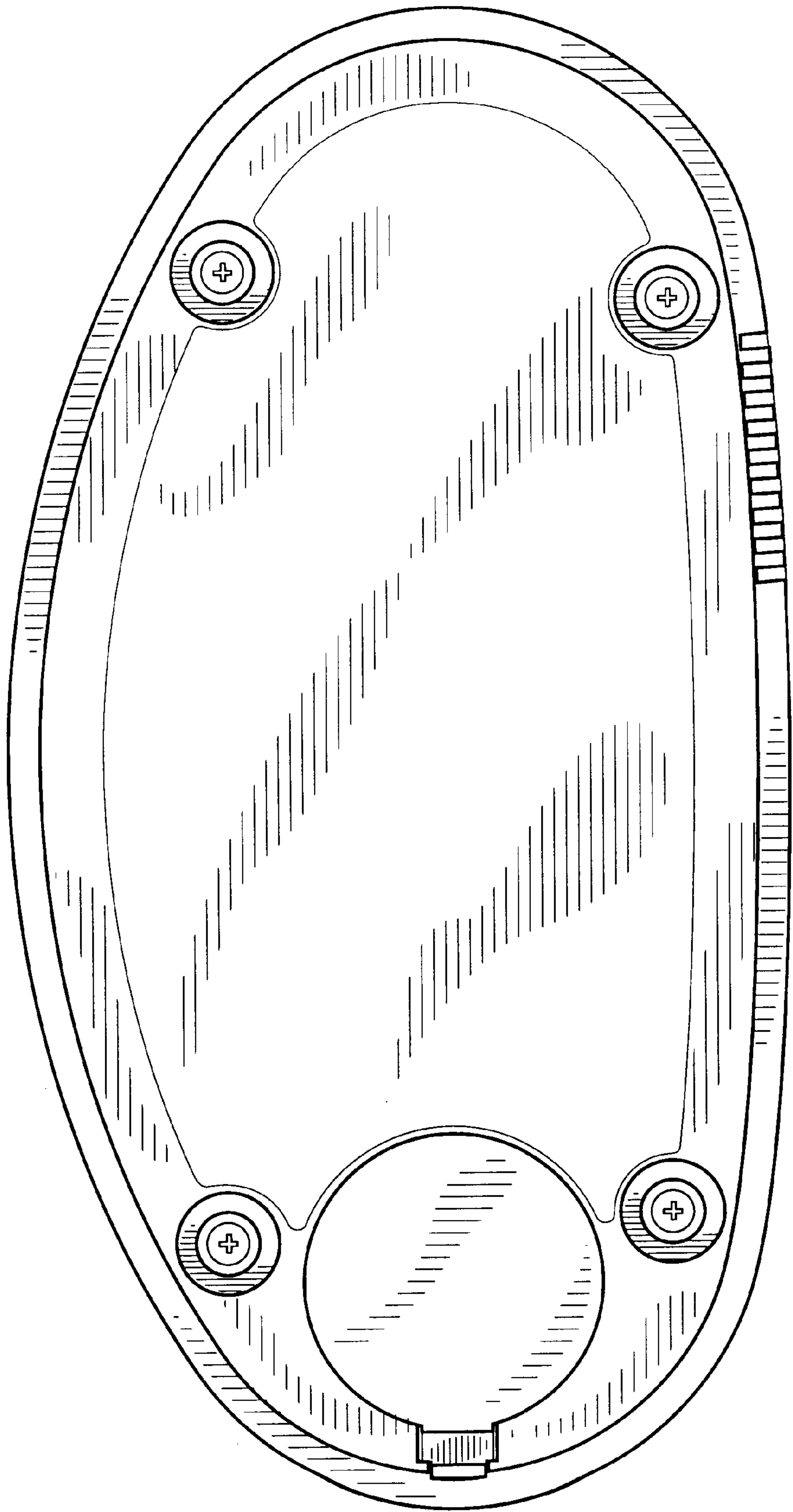


FIG. 6

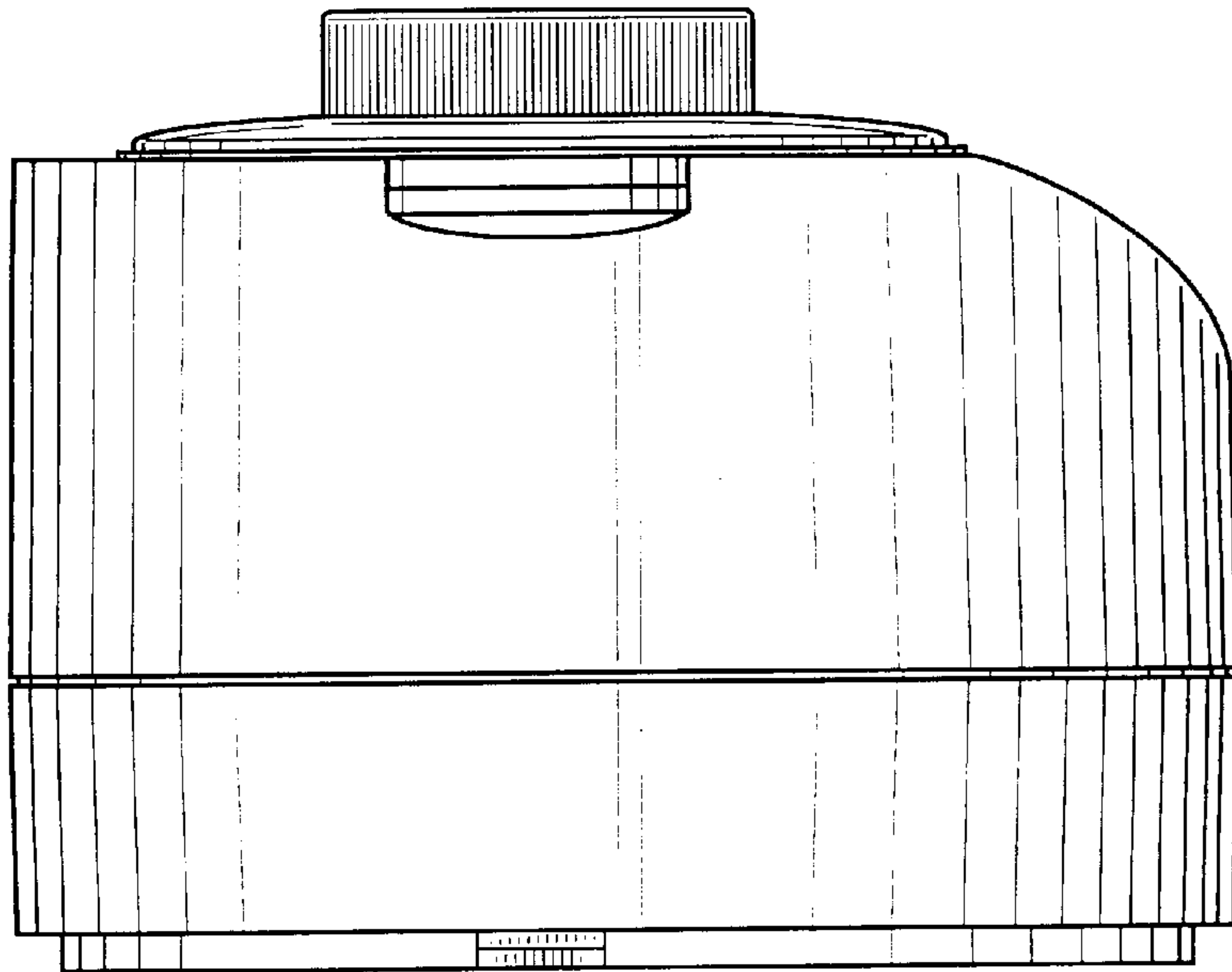


FIG. 7

