



US00D430654S

# United States Patent [19] Tani

[11] **Patent Number: Des. 430,654**

[45] **Date of Patent: \*\* Sep. 5, 2000**

[54] **WATER CLOSET**

[75] Inventor: **Minoru Tani**, Kitakyushu, Japan

[73] Assignee: **Toto Ltd.**, Japan

[\*\*] Term: **14 Years**

[21] Appl. No.: **29/112,967**

[22] Filed: **Oct. 28, 1999**

### Related U.S. Application Data

[62] Division of application No. 29/070,755, May 15, 1997.

### Foreign Application Priority Data

Nov. 15, 1996 [JP] Japan ..... 8-034747

[51] **LOC (7) Cl.** ..... **23-02**

[52] **U.S. Cl.** ..... **D23/301**

[58] **Field of Search** ..... D23/295-301,  
D23/303-311, 300, 329-332, 353, 354,  
363-365, 420, 420.1-420.5, 443-448, 661

### References Cited

#### U.S. PATENT DOCUMENTS

- D. 250,202 11/1978 Doman et al. .... D23/65
- D. 278,078 3/1985 Kaiser ..... D23/65
- D. 292,431 10/1987 Kohler, Jr. .... D23/301
- D. 311,243 10/1990 Vaupel et al. .... D23/301

- D. 346,854 5/1994 Reid ..... D23/301
- D. 349,156 7/1994 Kohler, Jr. et al. .... D23/301
- D. 352,549 11/1994 Sim ..... D23/301
- D. 353,450 12/1994 Anderson et al. .... D23/301
- D. 379,496 5/1997 Kawamura et al. .... D23/301
- D. 381,408 7/1997 Birsal et al. .... D23/301
- D. 383,833 9/1997 Birsal et al. .... D23/301
- D. 384,136 9/1997 Kawamura et al. .... D23/301
- D. 393,309 4/1998 Tani ..... D23/301

### FOREIGN PATENT DOCUMENTS

- 845954 8/1992 Japan .
- 922493 3/1995 Japan .
- 925113 5/1995 Japan .

*Primary Examiner*—Doris Clark  
*Attorney, Agent, or Firm*—Finnegan, Henderson, Farabow,  
Garrett & Dunner, LLP

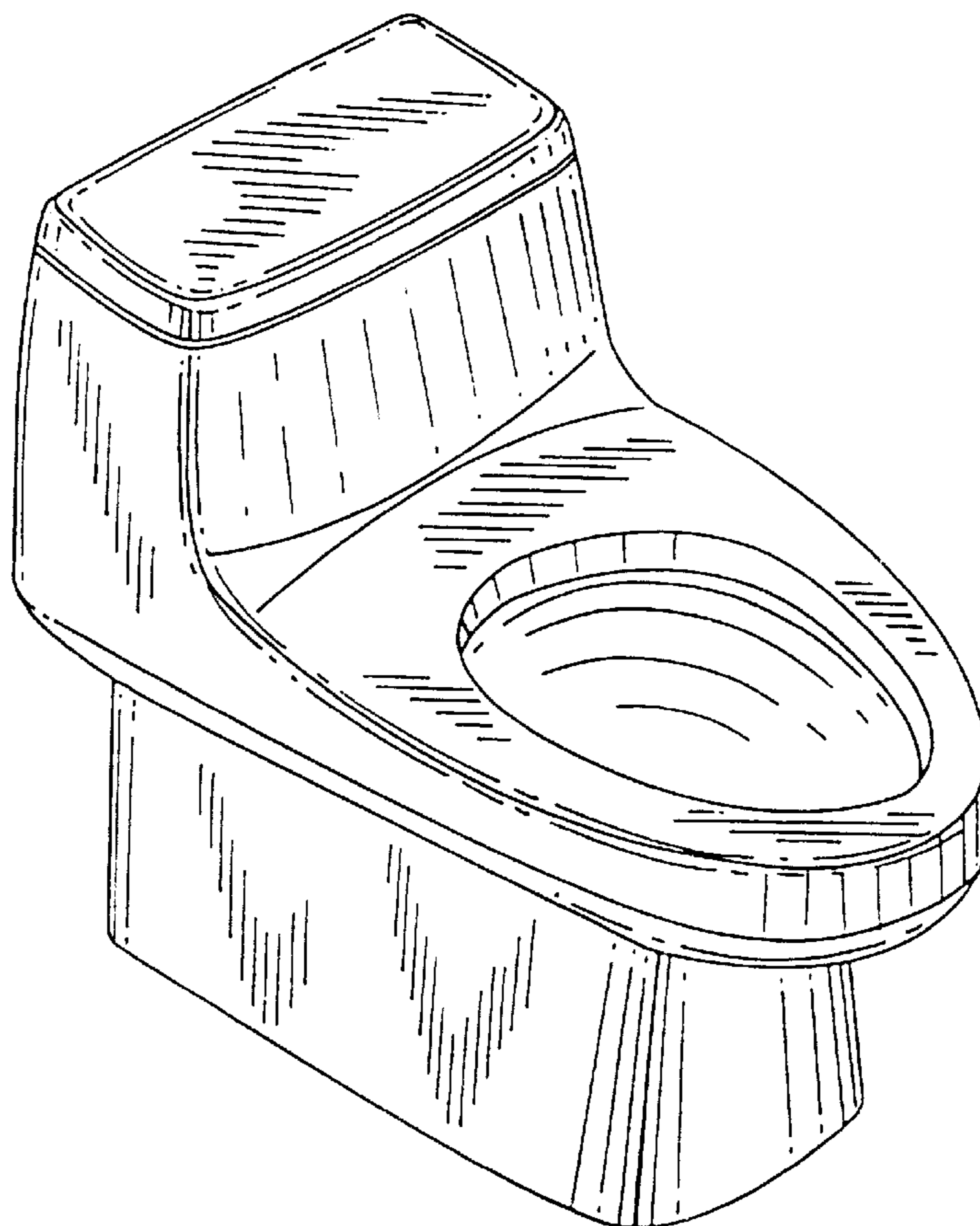
### [57] CLAIM

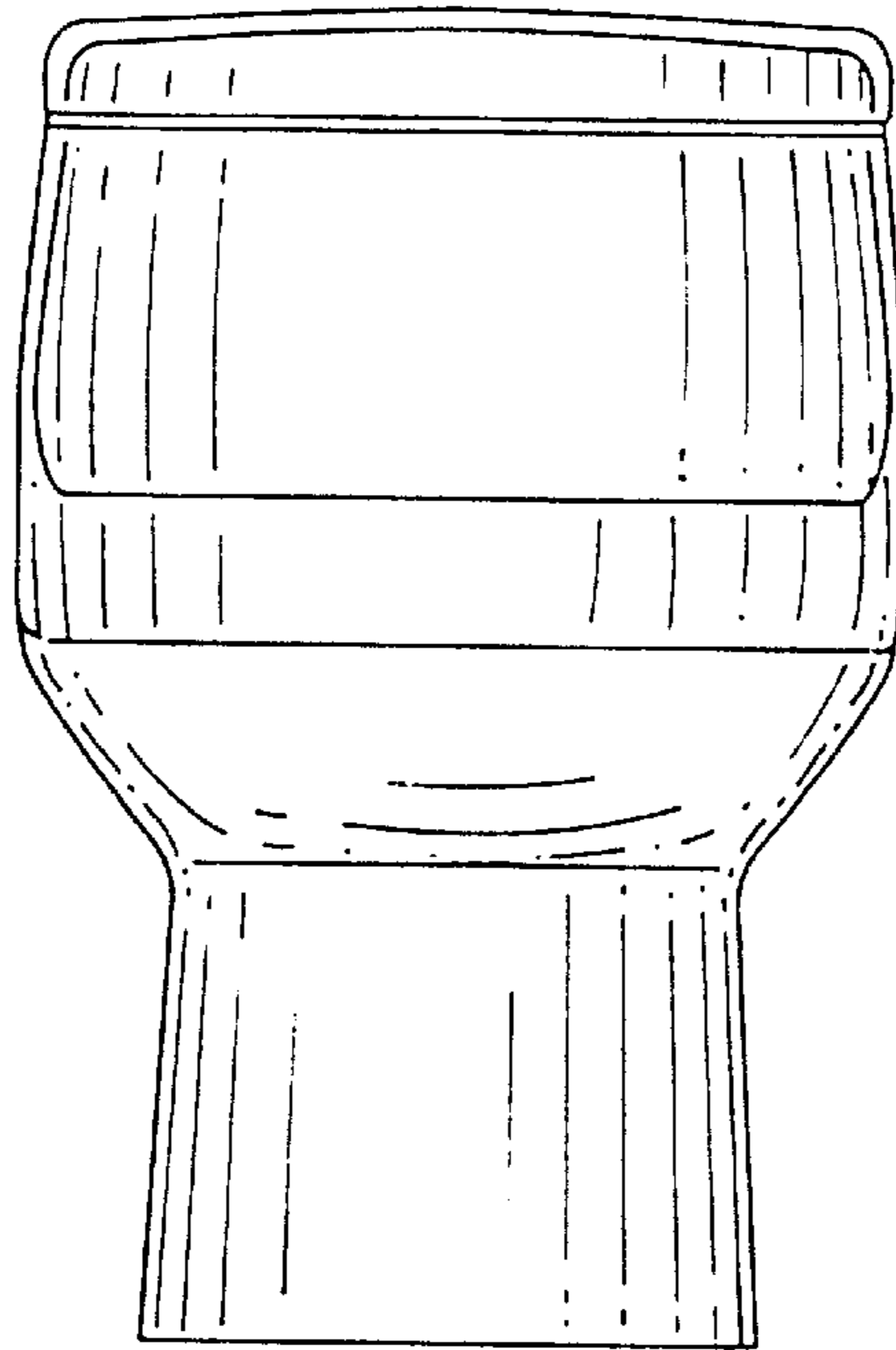
The ornamental design for a water closet, as shown and described.

### DESCRIPTION

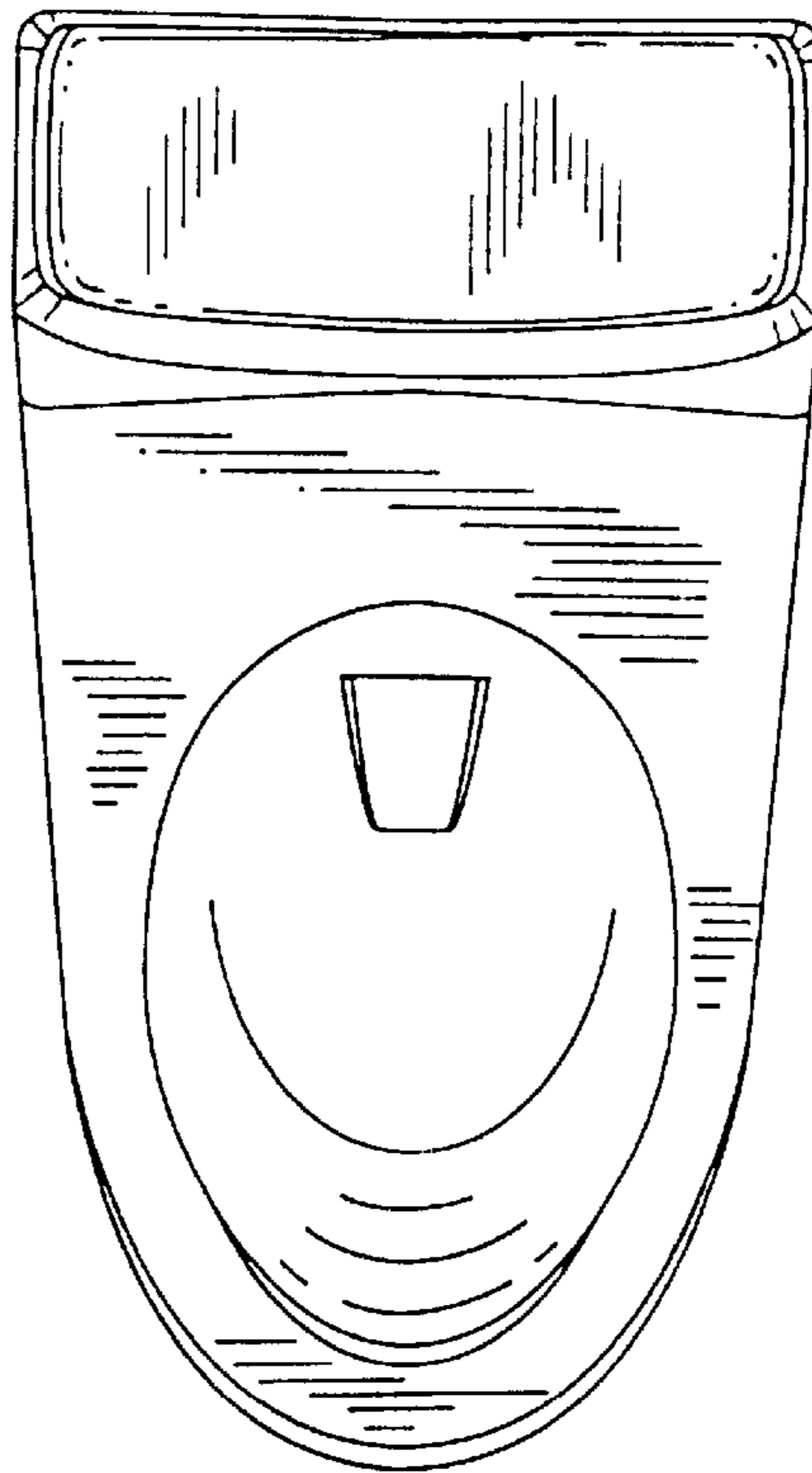
FIG. 1 is a front view of a water closet embodying my design;  
FIG. 2 is a top view thereof;  
FIG. 3 is a right side view thereof, the left side being a mirror image of the right side; and,  
FIG. 4 is a perspective view thereof.

**1 Claim, 2 Drawing Sheets**

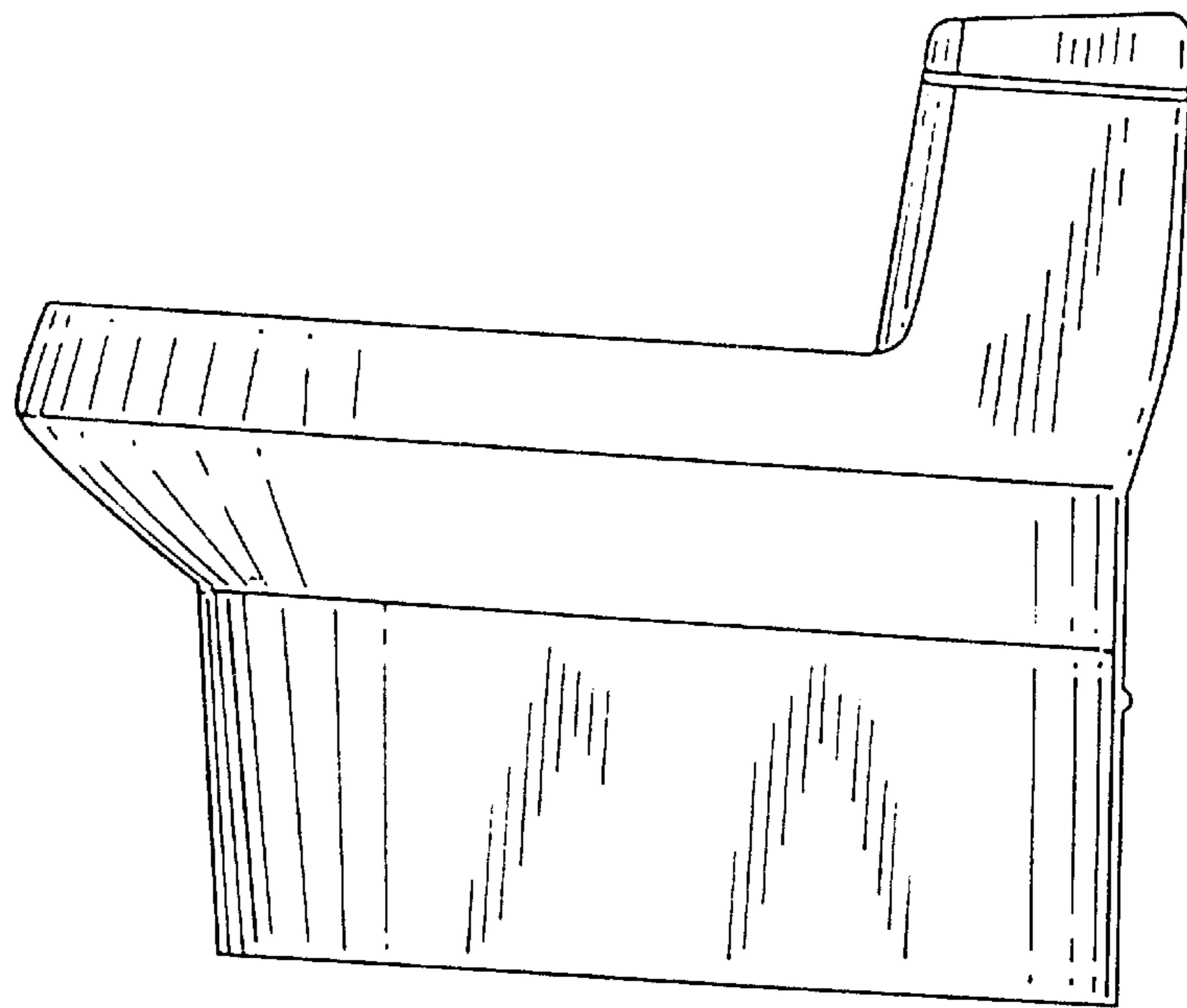




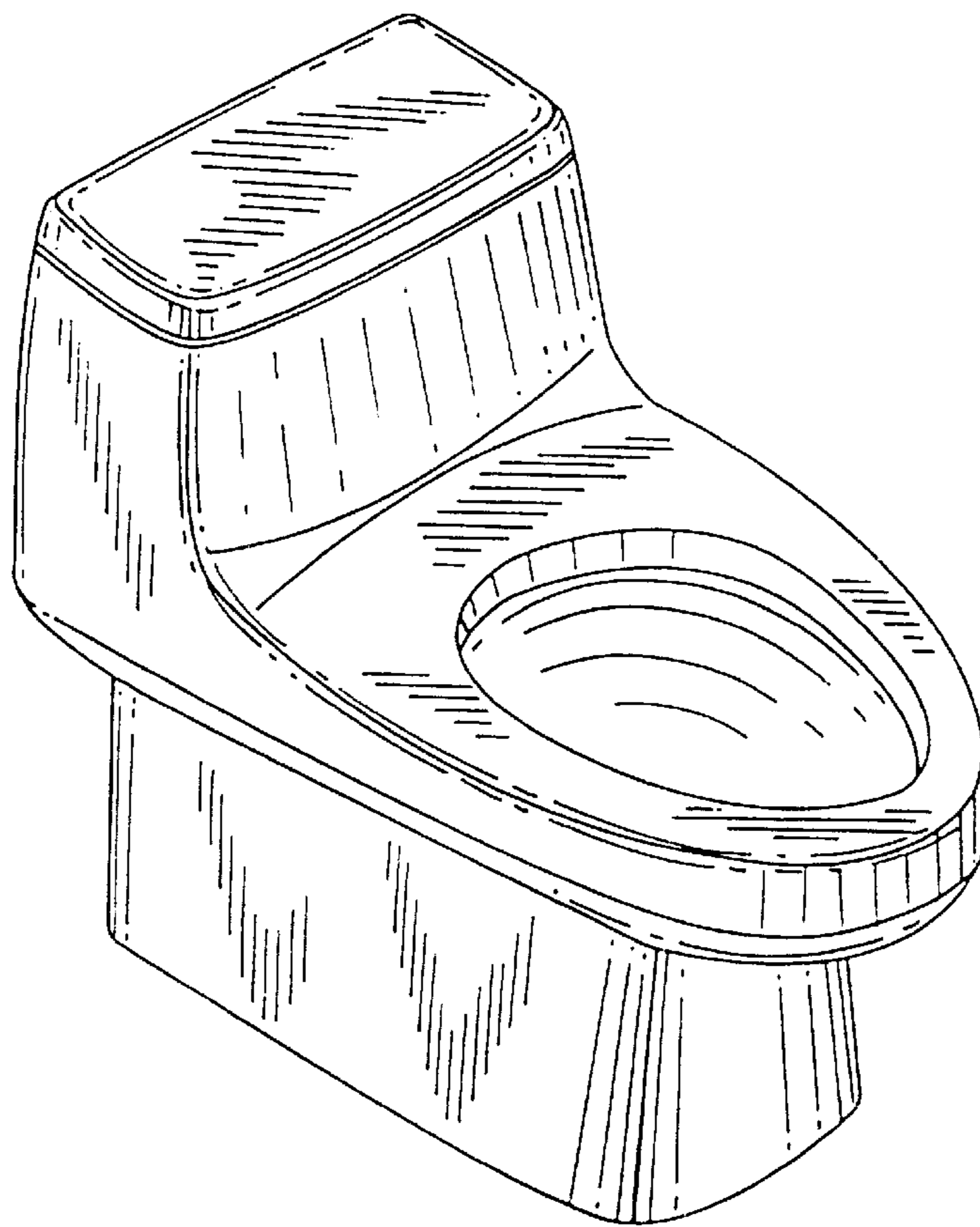
**FIG. 1**



**FIG. 2**



**FIG. 3**



**FIG. 4**