

US00D430653S

**United States Patent** [19]  
**Lohmann**

[11] **Patent Number: Des. 430,653**  
[45] **Date of Patent: \*\* Sep. 5, 2000**

[54] **WATER CLOSET**

[75] Inventor: **Christopher A. Lohmann**, Sheboygan, Wis.

[73] Assignee: **Kallista, Inc.**, Kohler, Wis.

[\*\*] Term: **14 Years**

[21] Appl. No.: **29/112,055**

[22] Filed: **Oct. 7, 1999**

[51] **LOC (7) Cl.** ..... **23-02**

[52] **U.S. Cl.** ..... **D23/301**

[58] **Field of Search** ..... D23/295, 298,  
D23/299, 300, 301; 4/300, 353, 421, 424,  
428, 430, 664, DIG. 12

[56] **References Cited**

**U.S. PATENT DOCUMENTS**

D. 125,902	3/1941	Pieslak	.....	D23/301
D. 323,551	1/1992	Fait	.....	D23/301
D. 368,134	3/1996	Reid	.....	D23/301
D. 409,735	5/1999	Svendson	.....	D23/301
D. 410,998	6/1999	Jones	.....	D23/301
D. 411,613	6/1999	Chiu	.....	D23/301
D. 412,742	8/1999	Soulier	.....	D23/301
D. 415,563	10/1999	McKeone	.....	D23/301

**OTHER PUBLICATIONS**

Undated Sanitherm catalog ad showing a "Cassandra" toilet, admitted prior art.

*Primary Examiner*—Eric Watterson  
*Attorney, Agent, or Firm*—Quarles & Brady LLP

[57] **CLAIM**

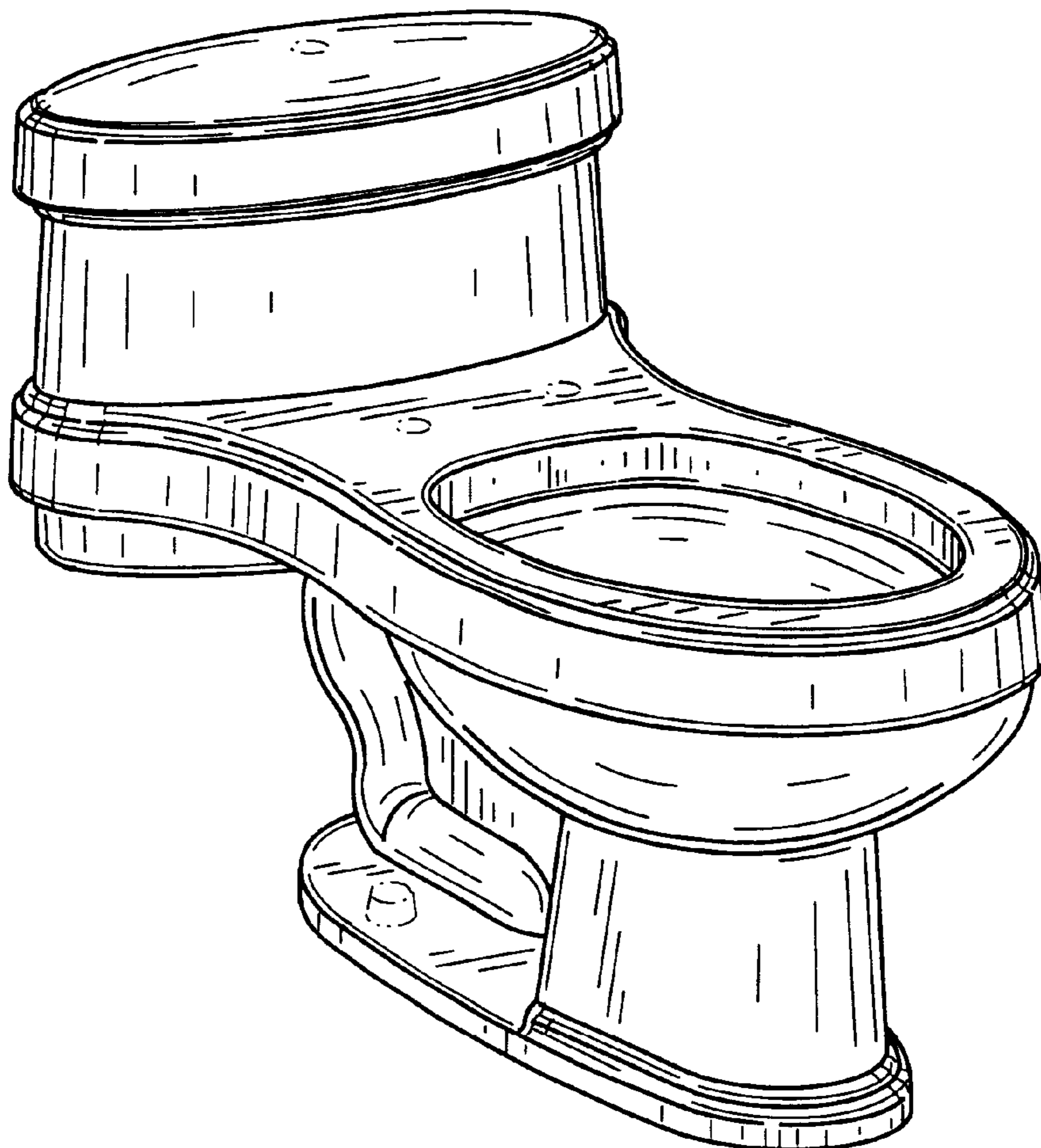
The ornamental design for a water closet, as shown and described.

**DESCRIPTION**

FIG. 1 is a left, top, front perspective view of a water closet embodying my new design;  
FIG. 2 is a front elevational view thereof;  
FIG. 3 is a left side elevational view thereof, the right side elevational view being a mirror image of the left side shown;  
FIG. 4 is a top plan view thereof;  
FIG. 5 is a bottom plan view thereof; and,  
FIG. 6 is a rear elevational view thereof.

The dotted line representations of holes in FIGS. 1 and 4, of mounting structure in FIG. 5, and of a cap in FIGS. 1, 3 and 6, are for the purpose of illustration only, and forms no part of the claimed design.

**1 Claim, 3 Drawing Sheets**



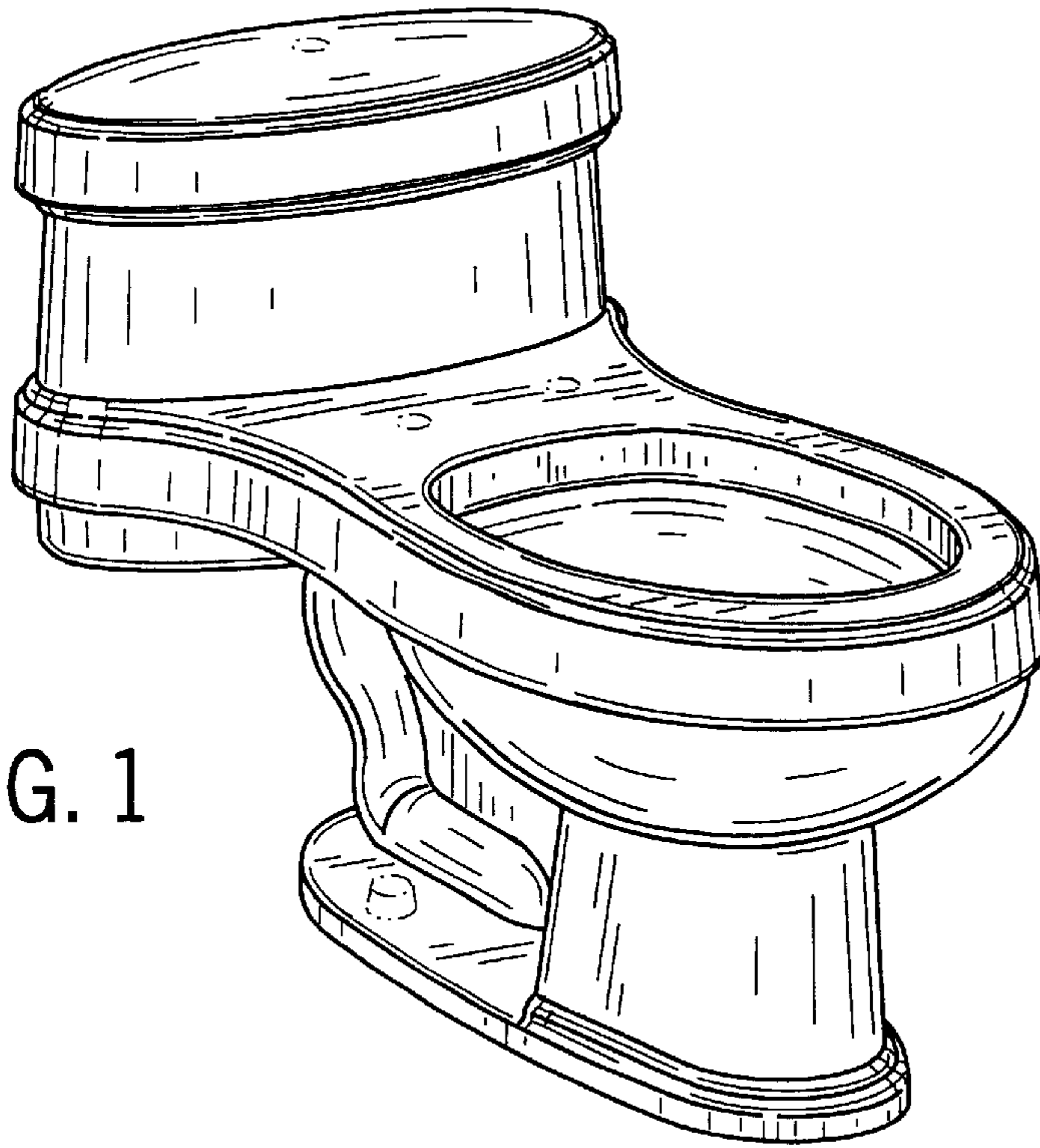


FIG. 1

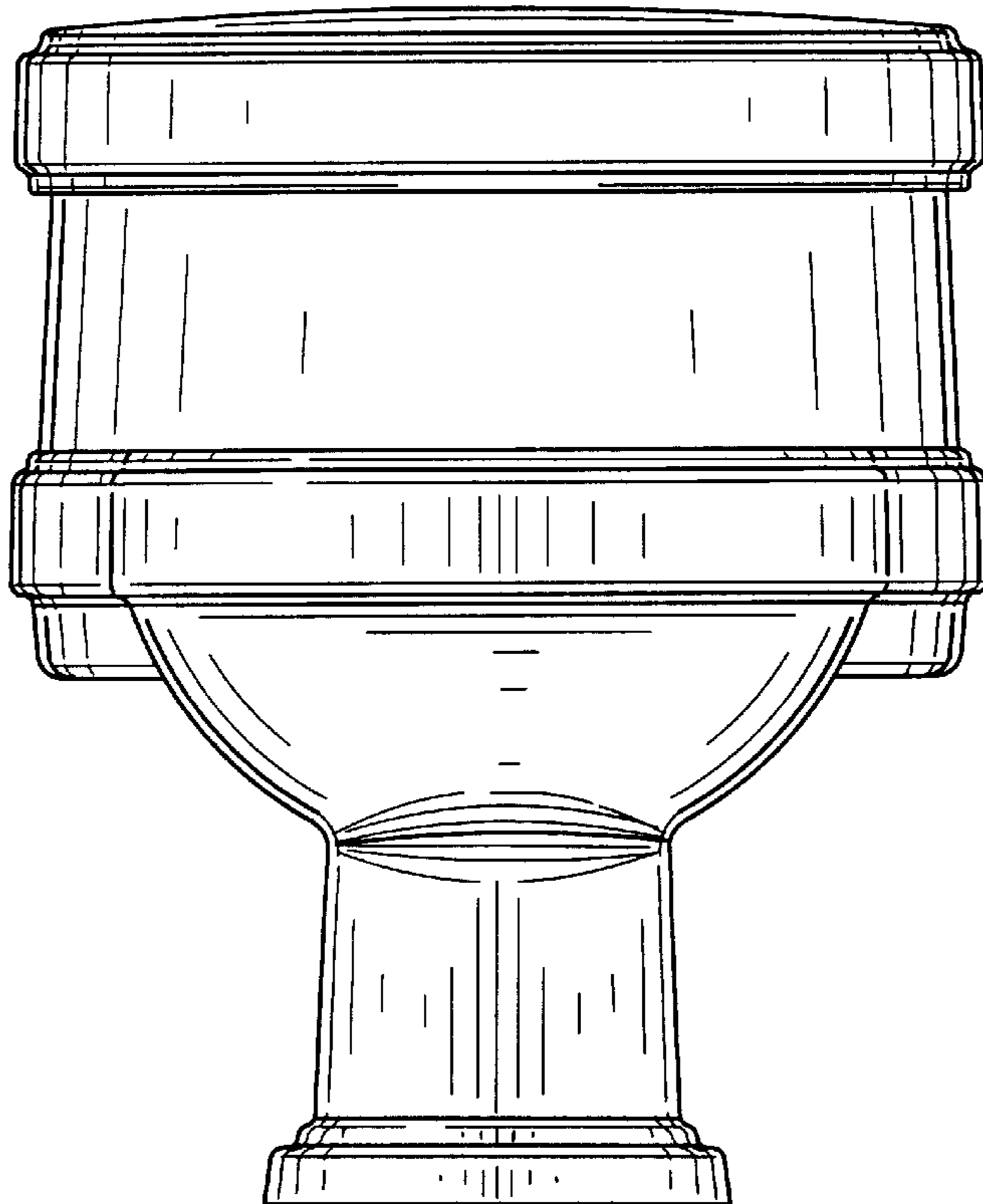


FIG. 2

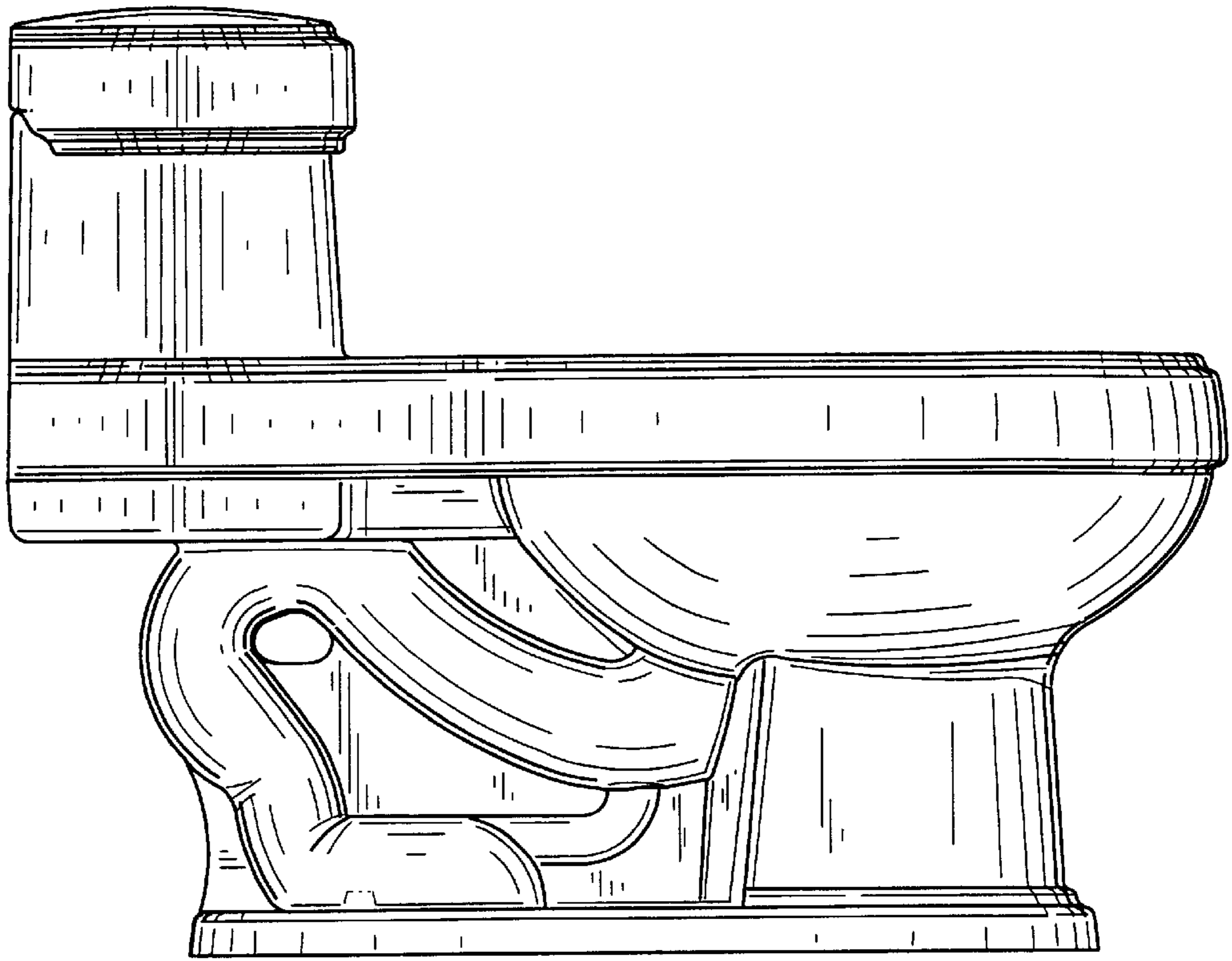


FIG. 3

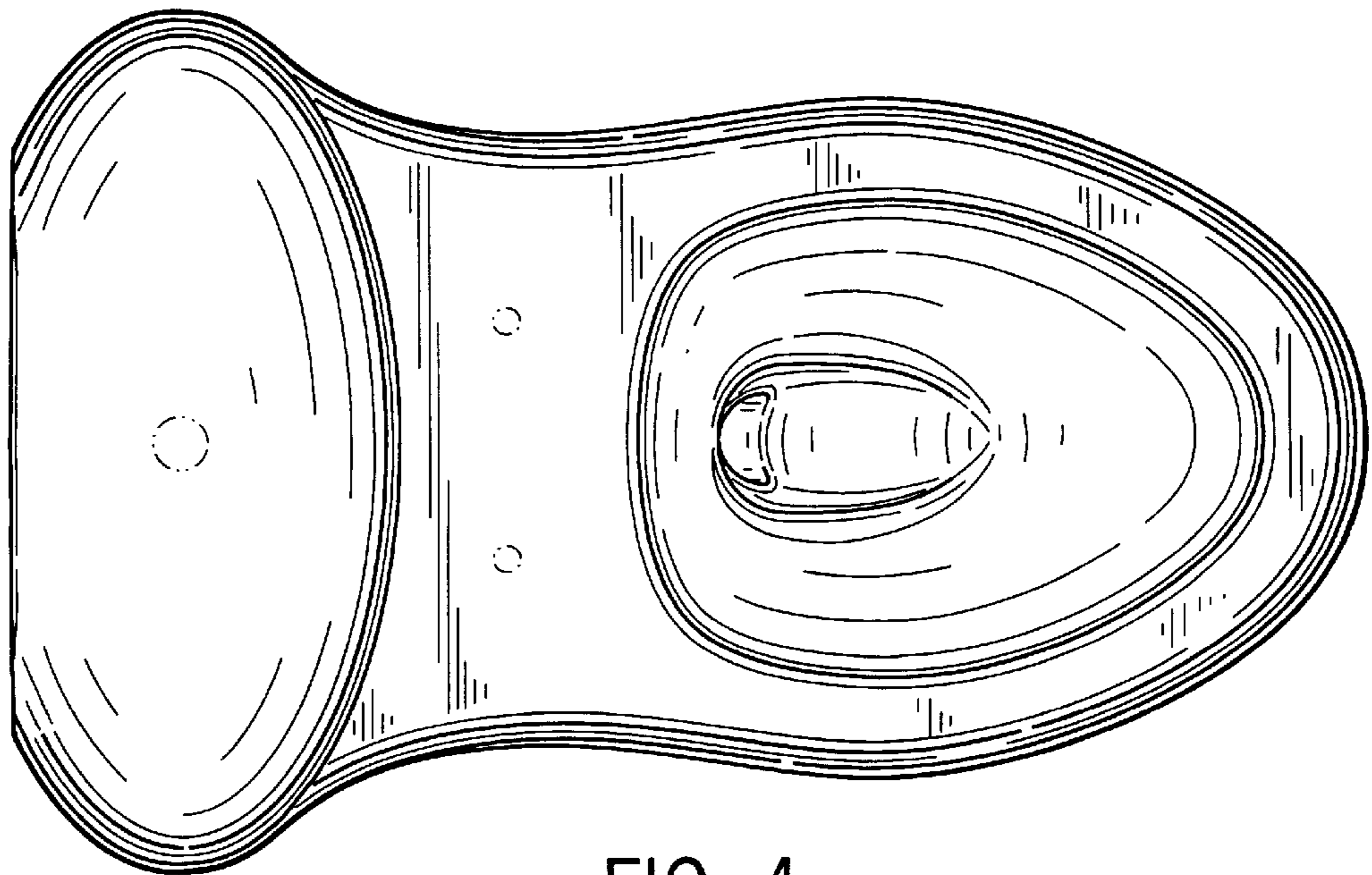


FIG. 4

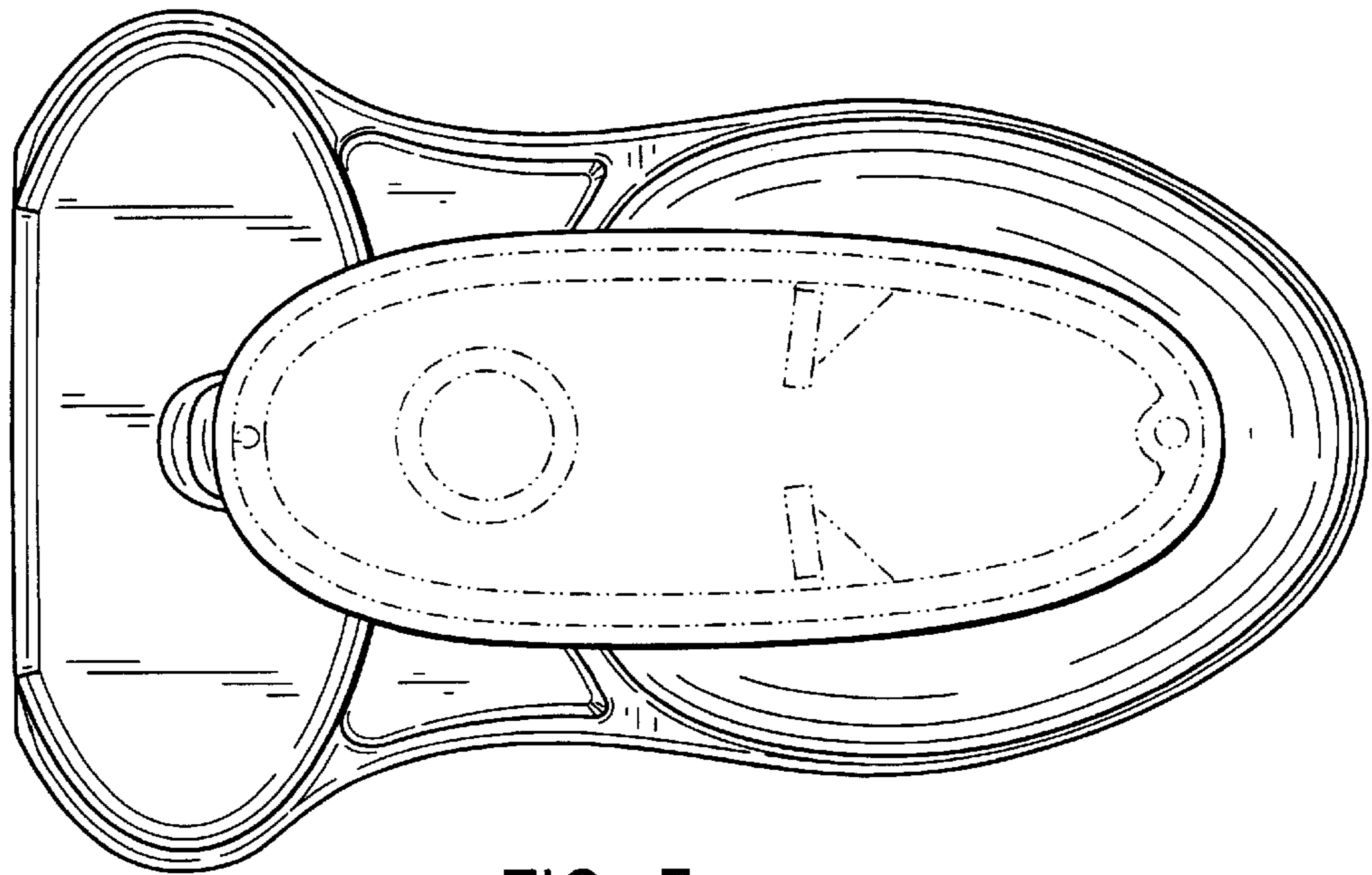


FIG. 5

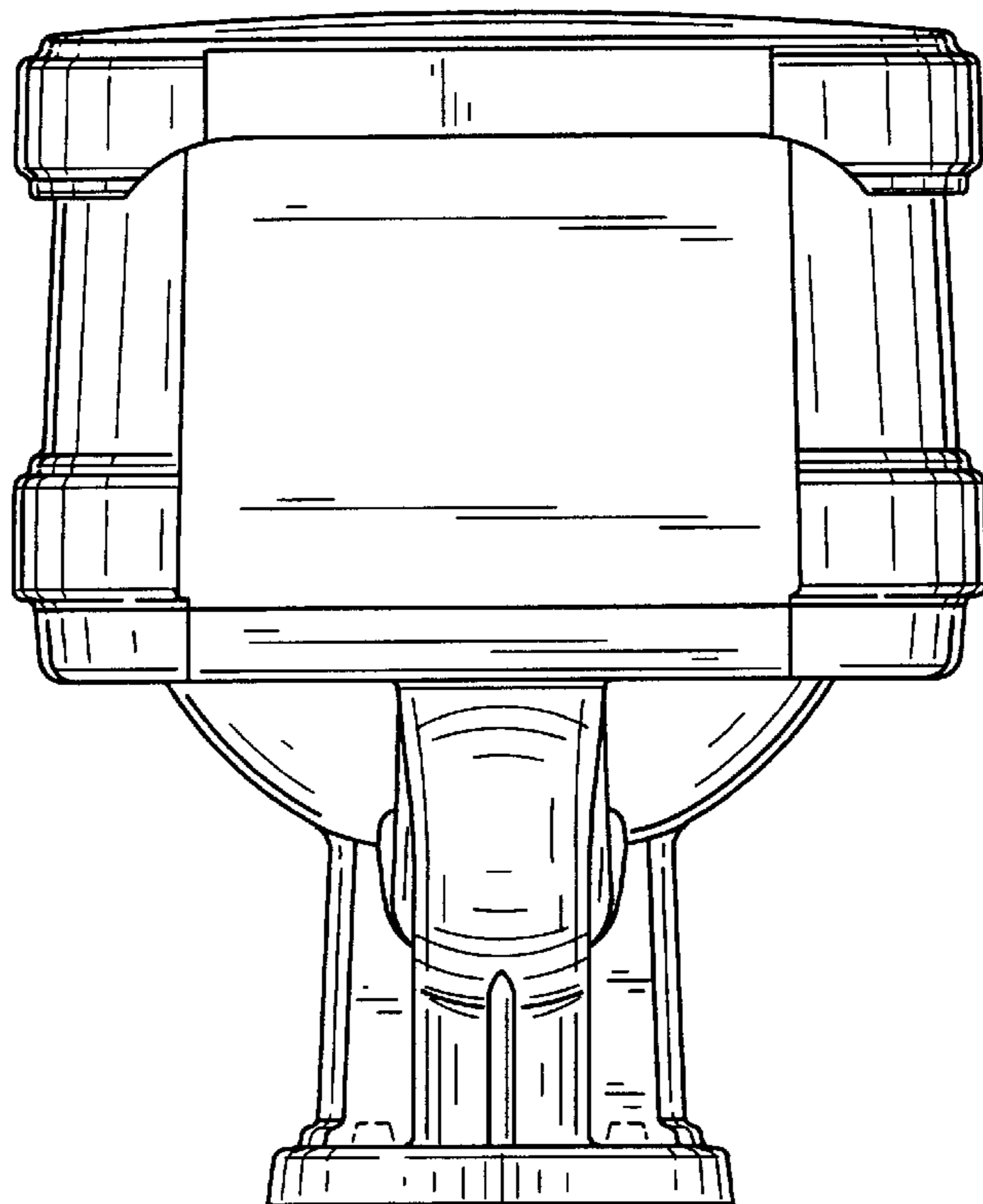


FIG. 6