



US00D430650S

# United States Patent [19] Graves

[11] Patent Number: **Des. 430,650**

[45] Date of Patent: **\*\* Sep. 5, 2000**

[54] FAUCET

[75] Inventor: **Michael Edward Graves**, Princeton, N.J.

[73] Assignee: **Aloys F. Dornbracht GmbH & Co. KG**, Iserlohn, Germany

[\*\*] Term: **14 Years**

[21] Appl. No.: **29/109,954**

[22] Filed: **Aug. 26, 1999**

[51] LOC (7) Cl. .... **23-01**

[52] U.S. Cl. .... **D23/242**

[58] Field of Search ..... D23/238-243,  
D23/250-257; D8/300-310; 4/675-678;  
137/801

[56] **References Cited**

**U.S. PATENT DOCUMENTS**

- D. 285,597 9/1986 Miller et al. .... D23/242
- D. 312,495 11/1990 Joerger ..... D23/242

- D. 362,899 10/1995 Jans ..... D23/242
- D. 364,215 11/1995 Starck ..... D23/242
- D. 366,517 1/1996 Doughty et al. .... D23/242
- D. 375,542 11/1996 Doughty et al. .... D23/242
- D. 409,286 5/1999 Warshawsky ..... D23/242
- D. 416,608 11/1999 Warshawsky et al. .... D23/242
- D. 418,580 1/2000 Warshawsky et al. .... D23/242

*Primary Examiner*—Eric Watterson  
*Attorney, Agent, or Firm*—Herbert Dubno

[57] **CLAIM**

The ornamental design for a faucet, as shown and described.

**DESCRIPTION**

FIG. 1 is a top, front, left-side perspective view of a faucet showing my new design;  
FIG. 2 is a front elevational view thereof;  
FIG. 3 is a rear elevational view thereof;  
FIG. 4 is a top plan view thereof;  
FIG. 5 is a bottom view thereof; and,  
FIG. 6 is a left side elevational view thereof, the right side elevational view being mirror symmetrical thereto.

**1 Claim, 6 Drawing Sheets**

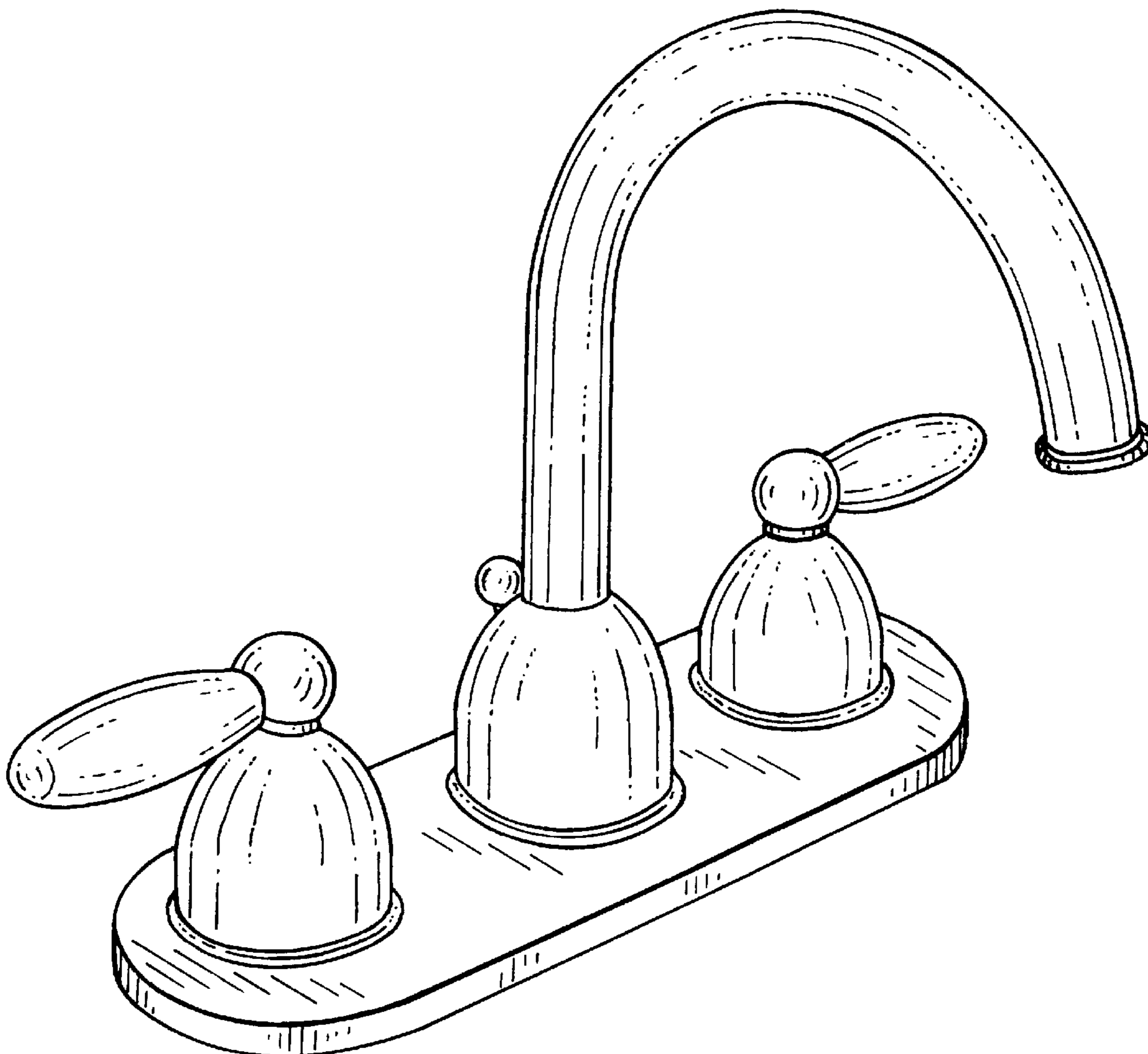


FIG.1

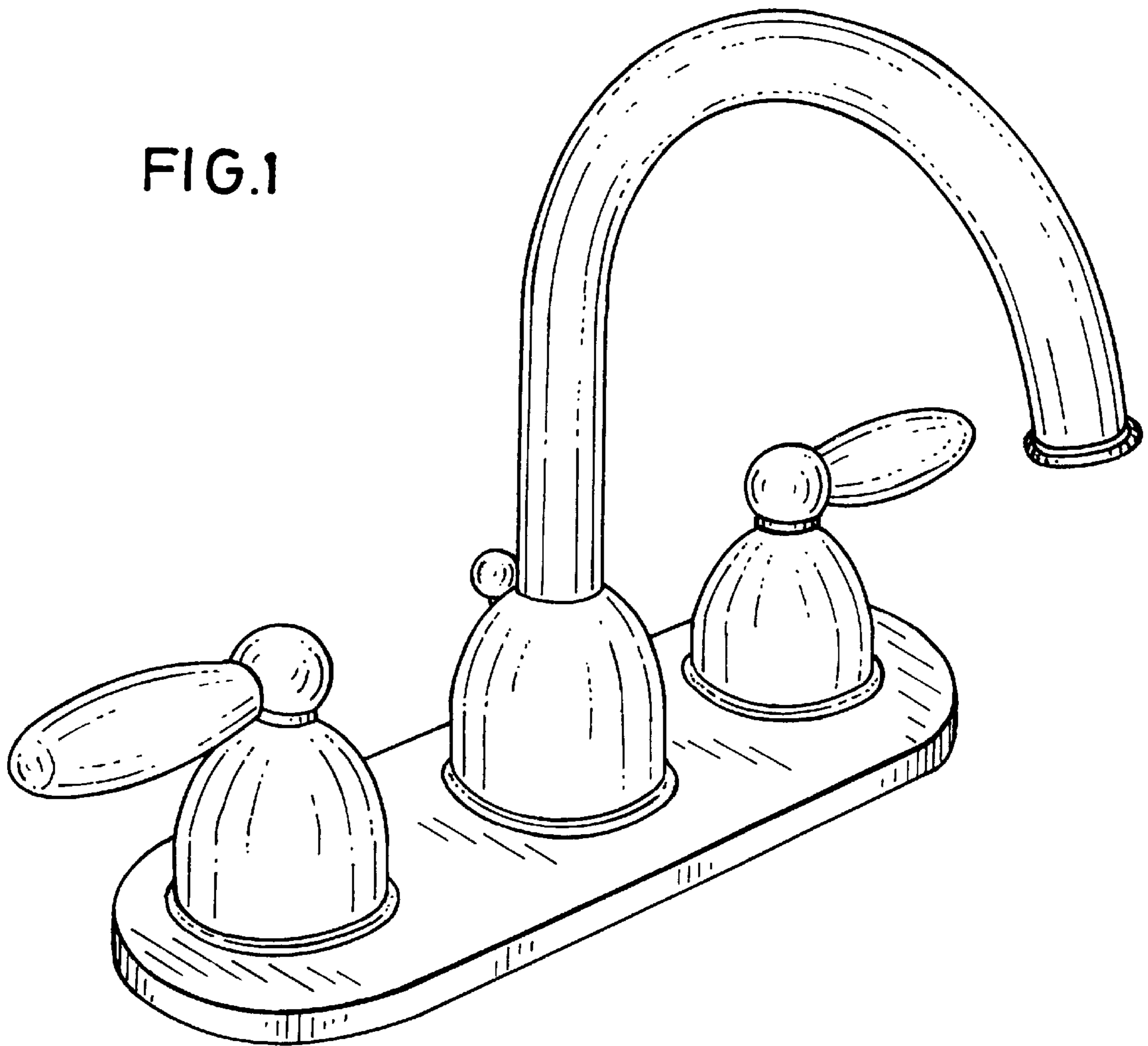


FIG. 2

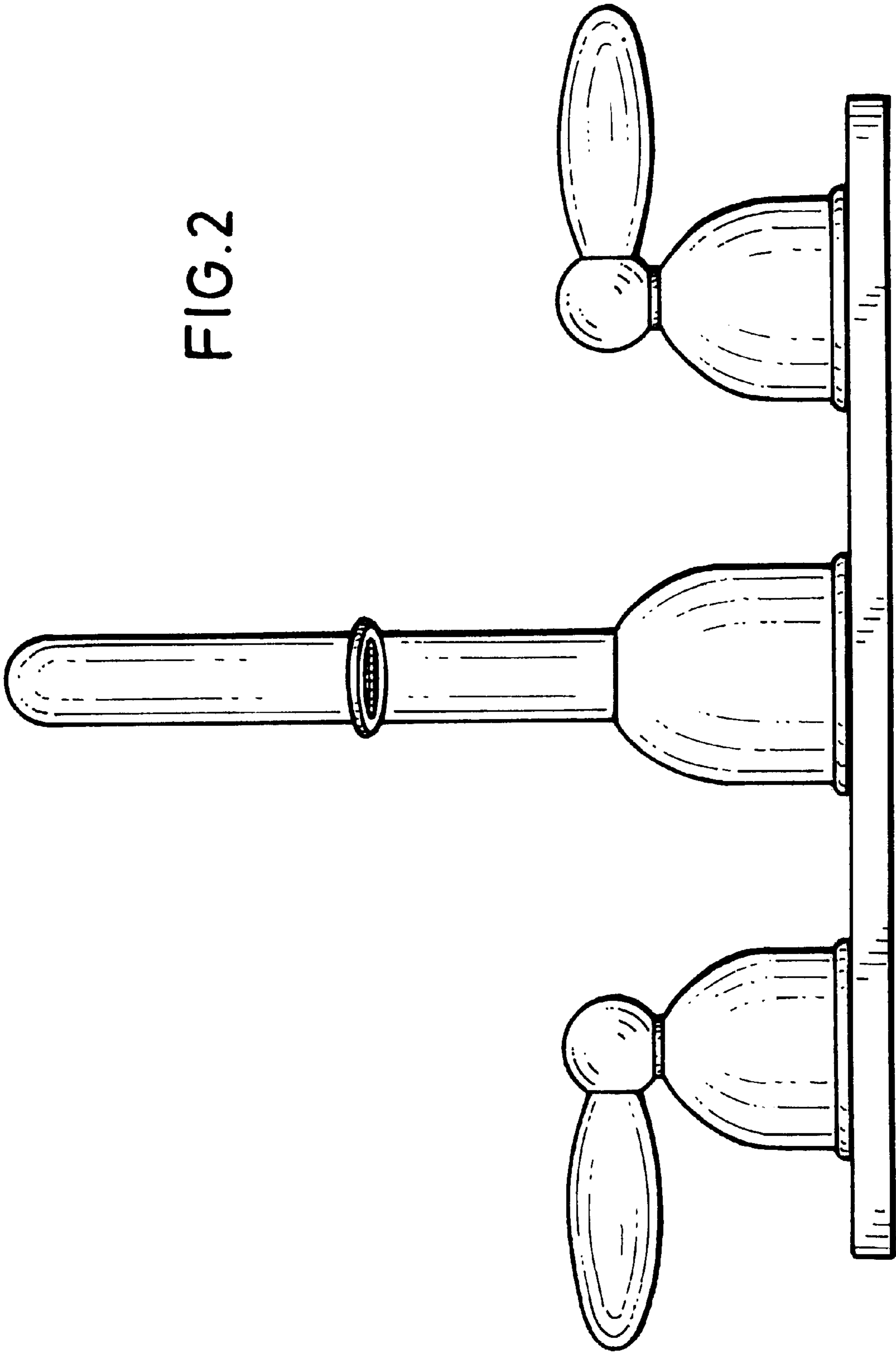
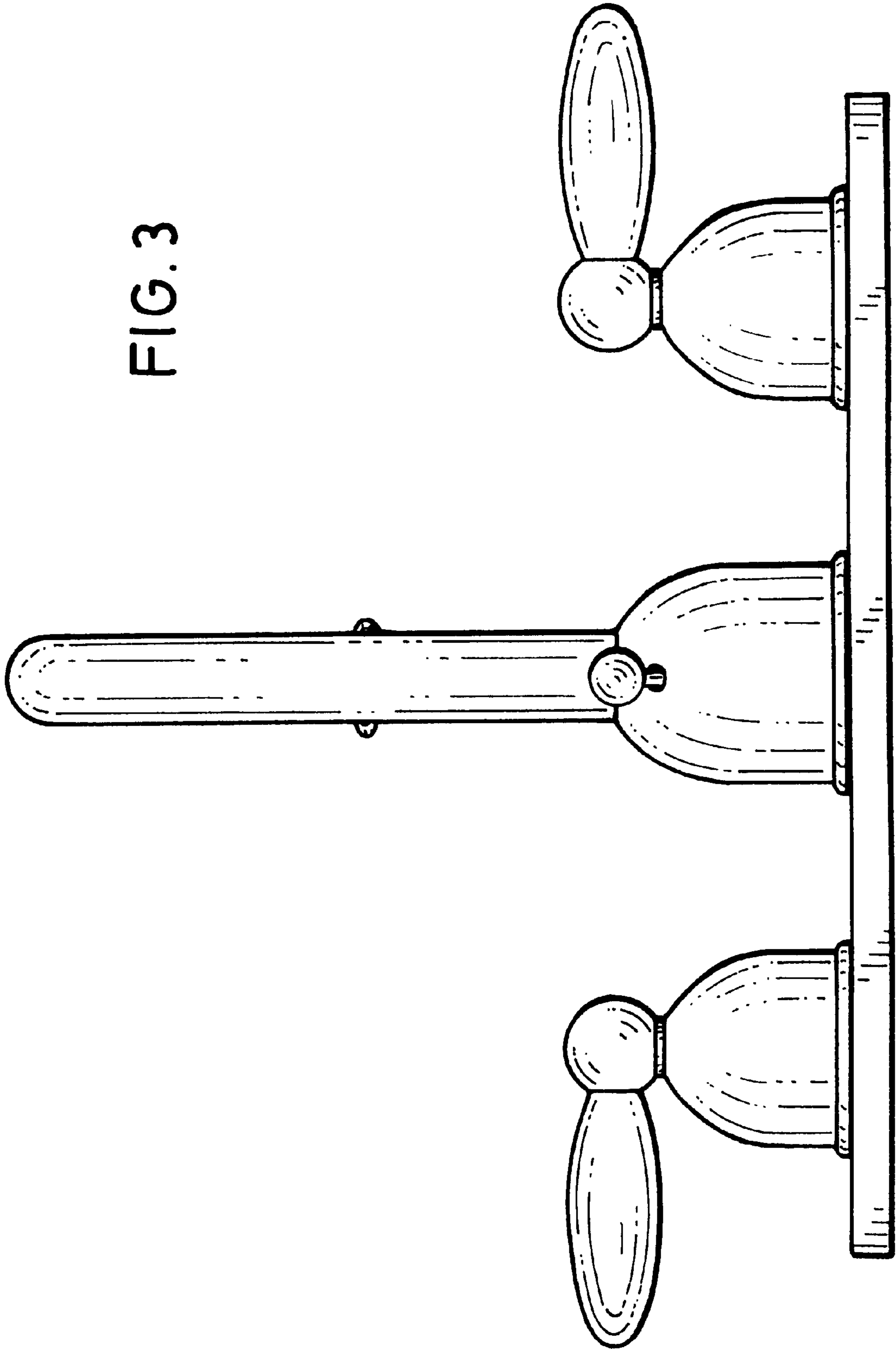


FIG. 3



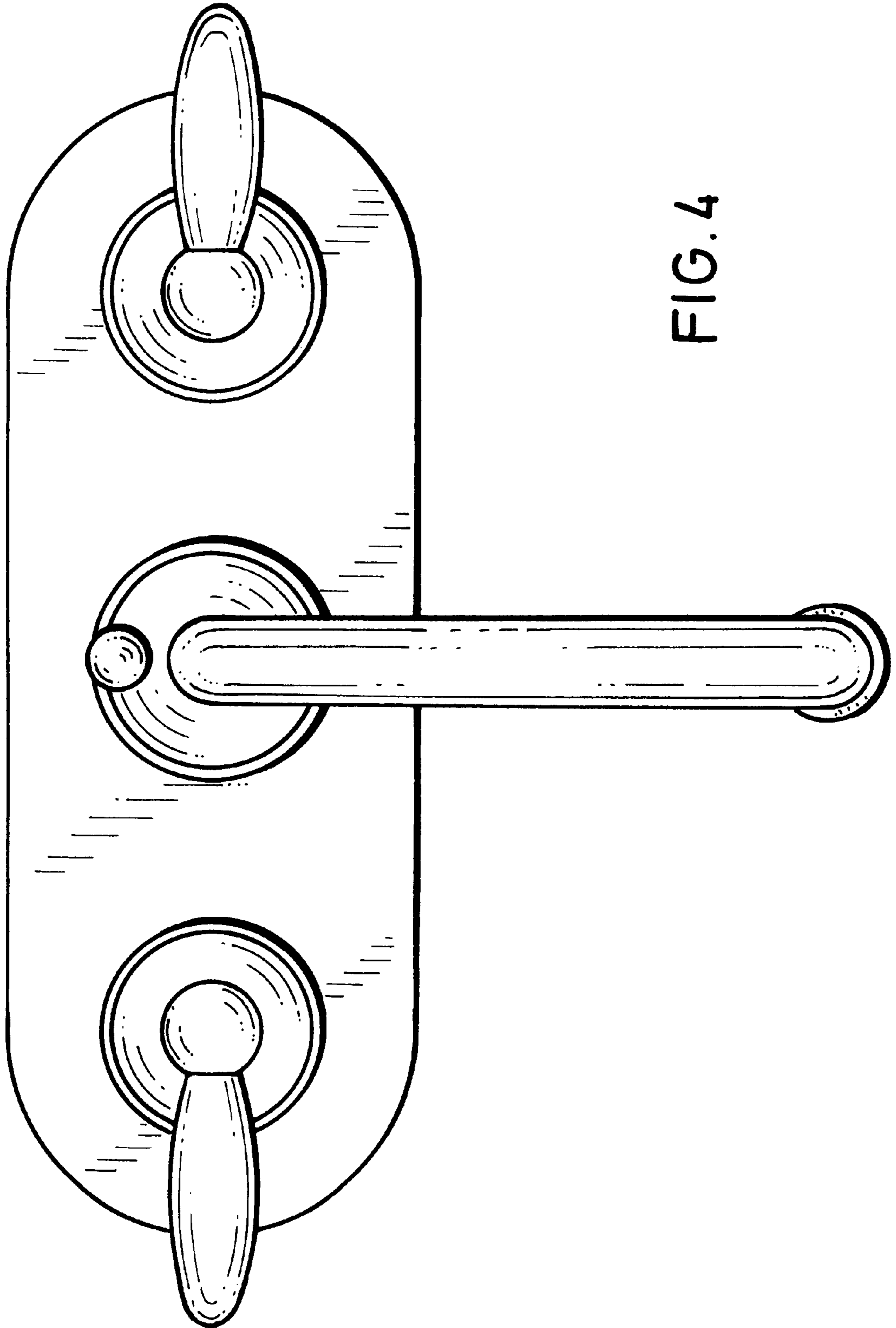


FIG. 4

FIG. 5

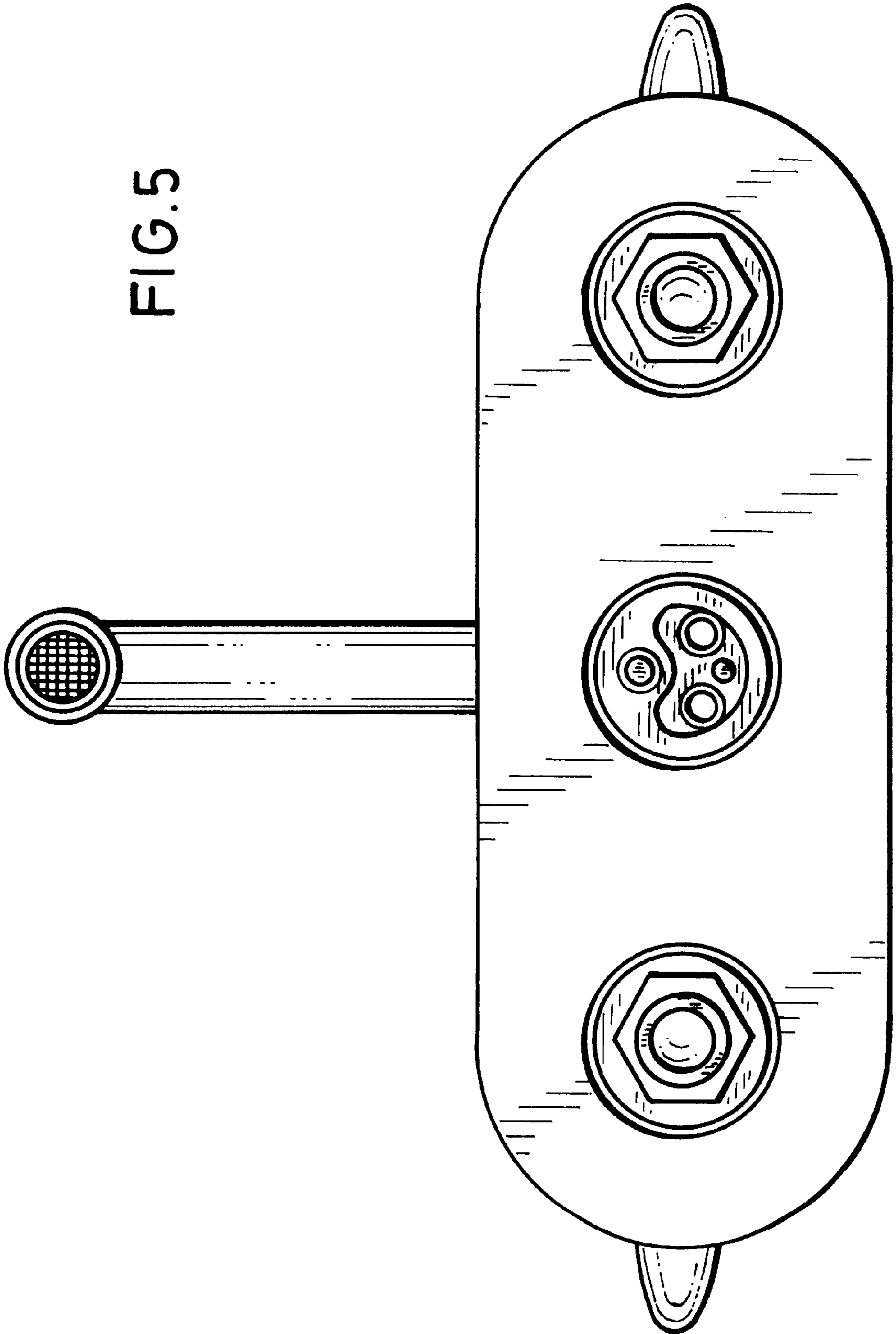


FIG. 6

