



US00D430648S

United States Patent [19] Lord

[11] **Patent Number: Des. 430,648**

[45] **Date of Patent: ** Sep. 5, 2000**

[54] **FAUCET**

[75] **Inventor: Judd A. Lord, Carmel, Ind.**

[73] **Assignee: Masco Corporation of Indiana, Indianapolis, Ind.**

[**] **Term: 14 Years**

[21] **Appl. No.: 29/117,559**

[22] **Filed: Jan. 27, 2000**

[51] **LOC (7) Cl. 23-01**

[52] **U.S. Cl. D23/238; D23/241**

[58] **Field of Search D23/238-243, D23/250-257; D8/300-310; 4/675-678; 137/801**

[56] **References Cited**

U.S. PATENT DOCUMENTS

| | | | | |
|------------|---------|----------------|-------|---------|
| D. 207,044 | 2/1967 | Hurwitz | | D23/241 |
| D. 276,259 | 11/1984 | Miller | . | |
| D. 288,835 | 3/1987 | Yost | . | |
| D. 293,362 | 12/1987 | Hill et al. | . | |
| D. 295,551 | 5/1988 | Yost | . | |
| D. 318,906 | 8/1991 | Spangler | . | |
| D. 320,645 | 10/1991 | Knapp et al. | . | |
| D. 321,750 | 11/1991 | Spangler | . | |
| D. 346,013 | 4/1994 | McKeone | | D23/255 |
| D. 363,536 | 10/1995 | Hill et al. | . | |
| D. 363,766 | 10/1995 | Hill et al. | . | |
| D. 363,974 | 11/1995 | Doughty et al. | | D23/241 |
| D. 364,218 | 11/1995 | Hill et al. | . | |
| D. 364,219 | 11/1995 | Hill et al. | . | |
| D. 364,220 | 11/1995 | Hill et al. | . | |
| D. 366,099 | 1/1996 | Hill et al. | . | |
| D. 367,701 | 3/1996 | Hill et al. | . | |

| | | | | |
|------------|---------|-------------------|-------|---------|
| D. 367,920 | 3/1996 | Hill et al. | . | |
| D. 374,709 | 10/1996 | Doughty et al. | | D23/241 |
| D. 379,213 | 5/1997 | Gottwald | | D23/238 |
| D. 392,026 | 3/1998 | Doughty et al. | | D23/241 |
| D. 393,692 | 4/1998 | Ko | | D23/238 |
| D. 416,982 | 11/1999 | Warshawsky et al. | | D23/241 |
| D. 418,578 | 1/2000 | Warshawsky et al. | | D23/241 |

OTHER PUBLICATIONS

Delta 1994 Full-Line Price List, (c) 1994 Masco Corporation of Indiana, pp. 14, 21-22, 26-27, 44-45.
Kohler K-500 Design Manual, from the examiner's collection, p. 40 Taboret Faucet, Oct. 1990.

Primary Examiner—Louis S. Zarfes
Assistant Examiner—G Andoll
Attorney, Agent, or Firm—Myron B. Kapustij; Lloyd D. Doigan

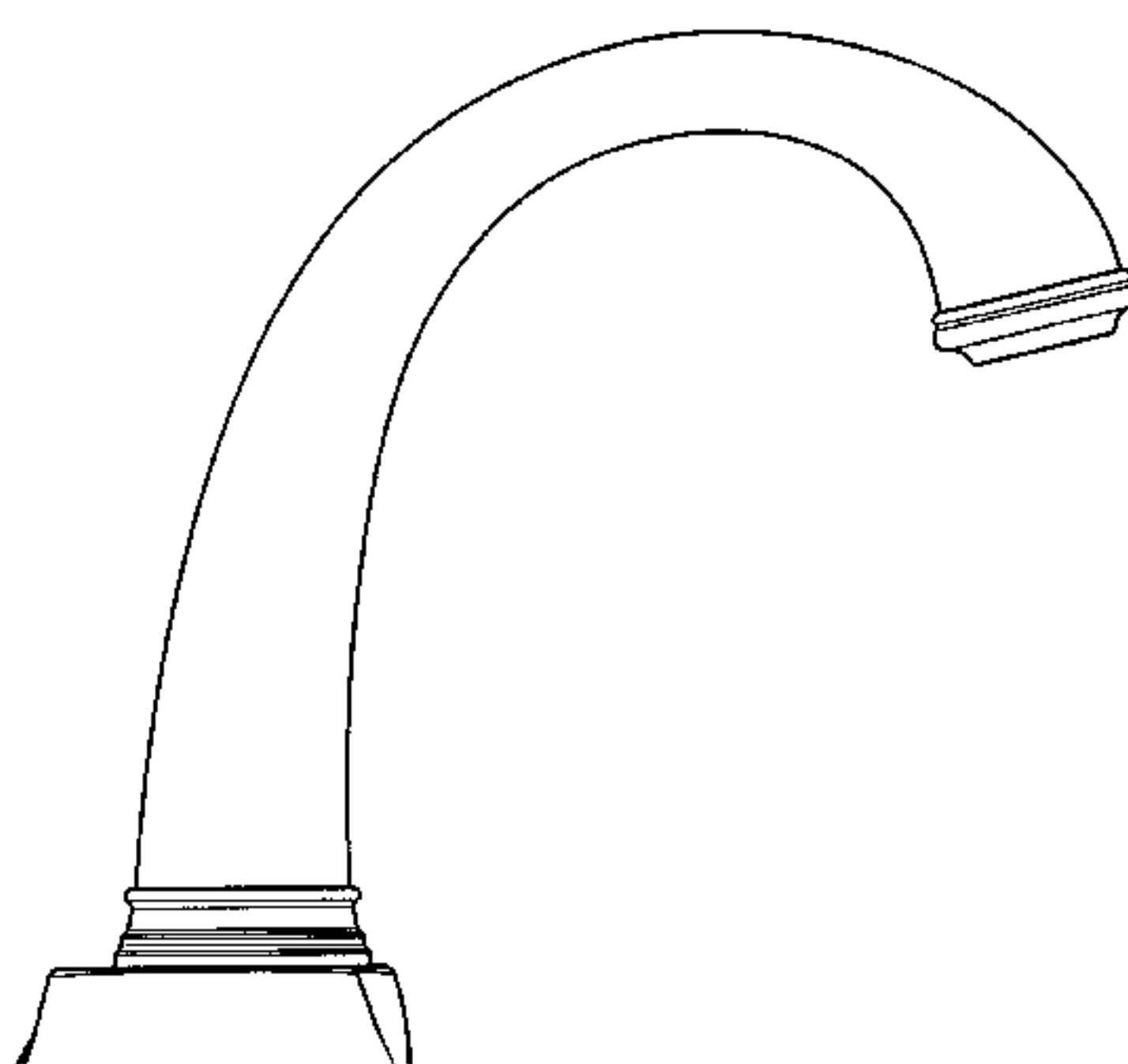
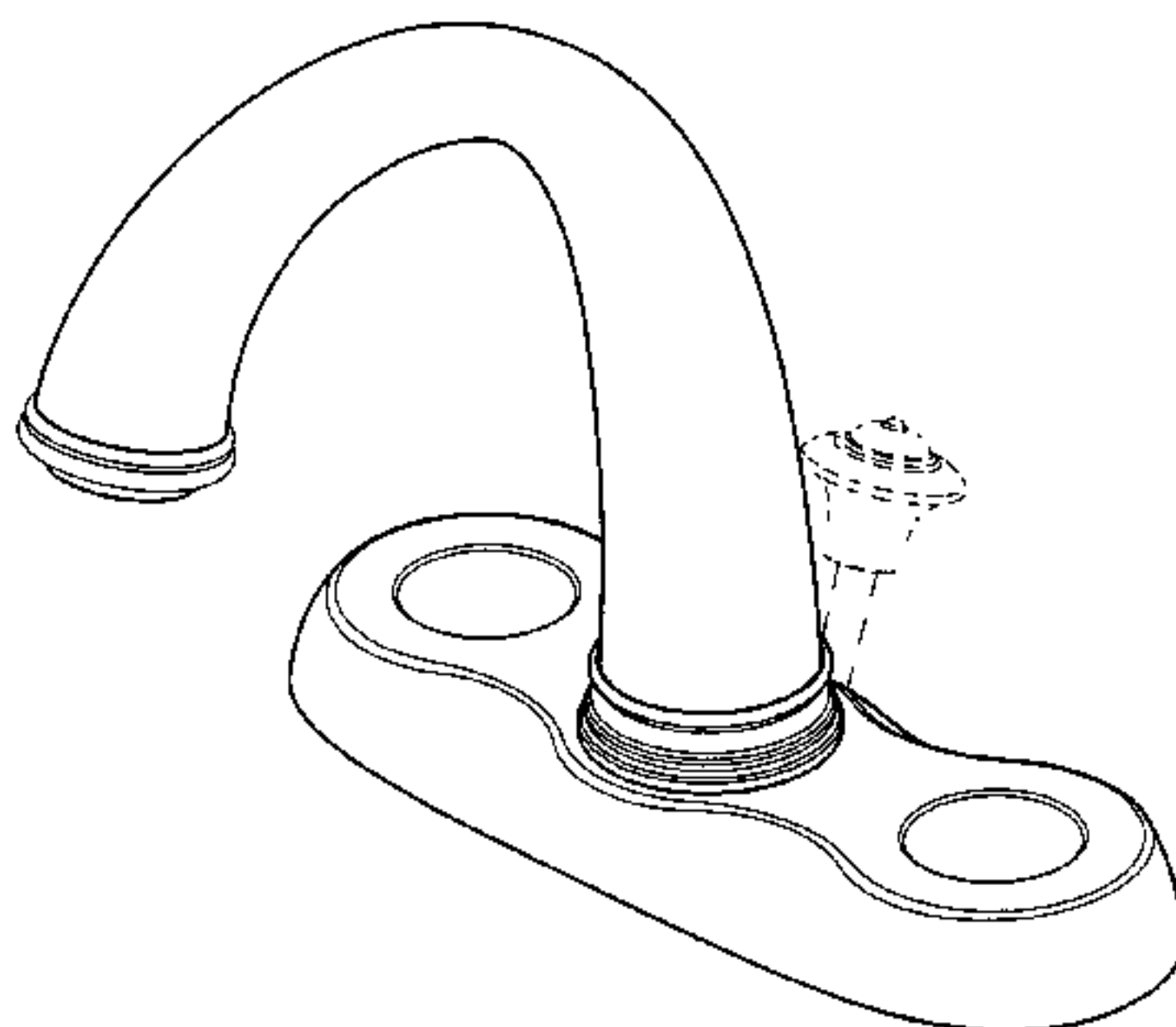
[57] **CLAIM**

The ornamental design for a faucet, as shown and described.

DESCRIPTION

FIG. 1 is a rear perspective view of the faucet showing my new design;
FIG. 2 is a front perspective view thereof;
FIG. 3 is a right side elevational view thereof, the left side being a mirror image;
FIG. 4 is a front elevational view thereof;
FIG. 5 is a top plan view thereof;
FIG. 6 is a rear elevational view thereof; and,
FIG. 7 is a bottom plan view thereof.
The broken line showing of the lift rod in FIG. 2 and apertures in FIG. 7 are for purposes of illustration only and form no part of the claimed design.

1 Claim, 4 Drawing Sheets



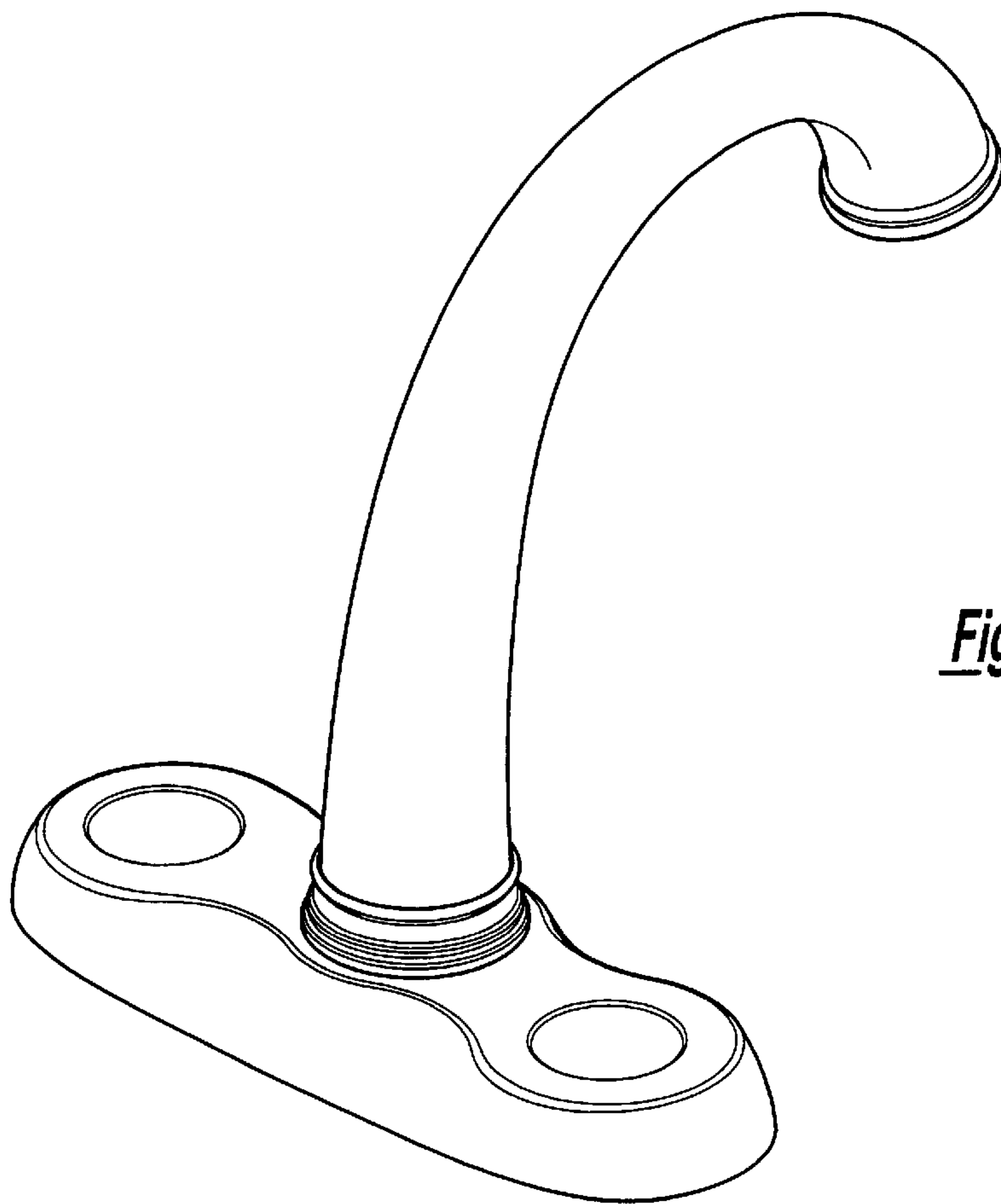


Figure - 1

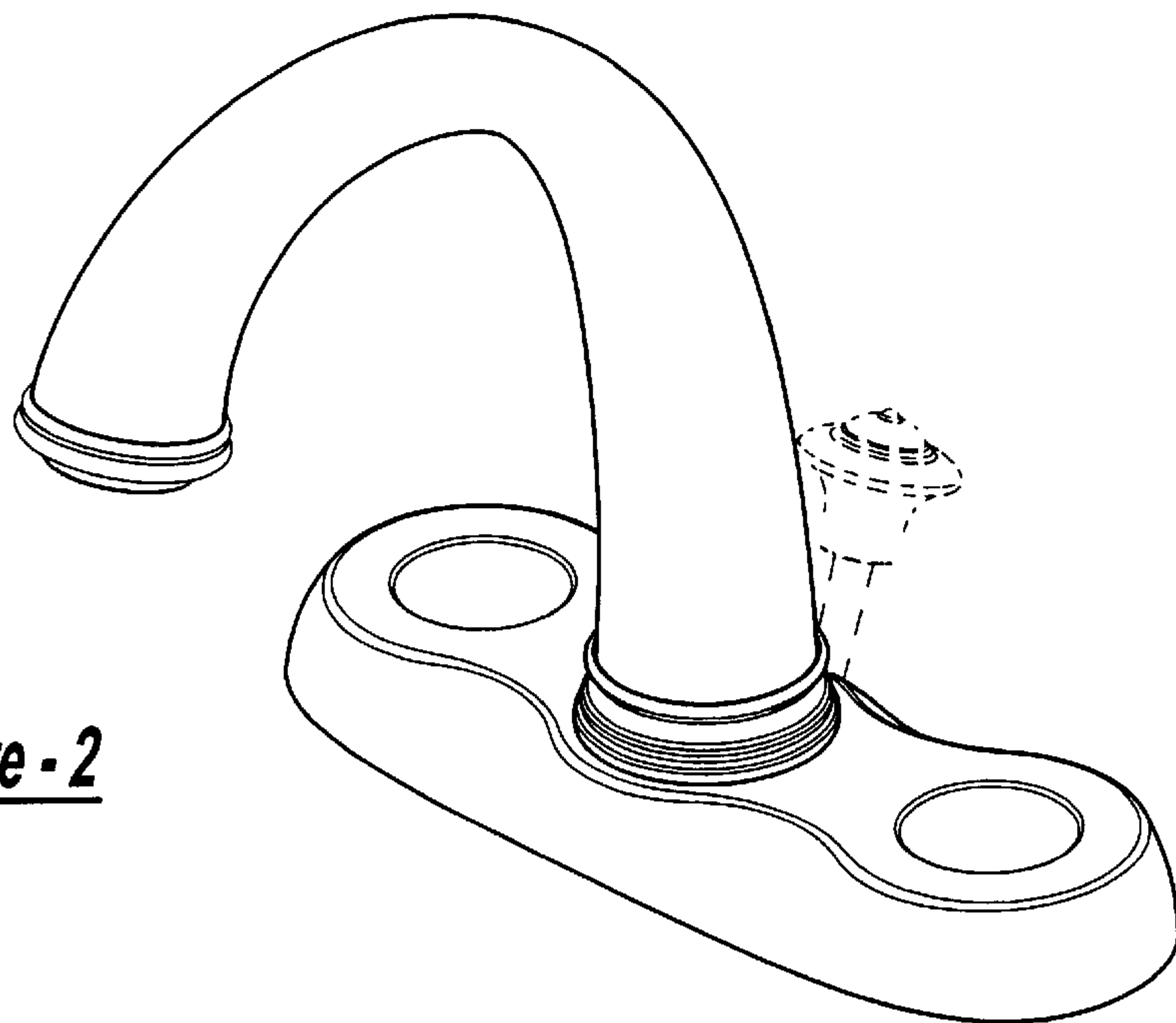
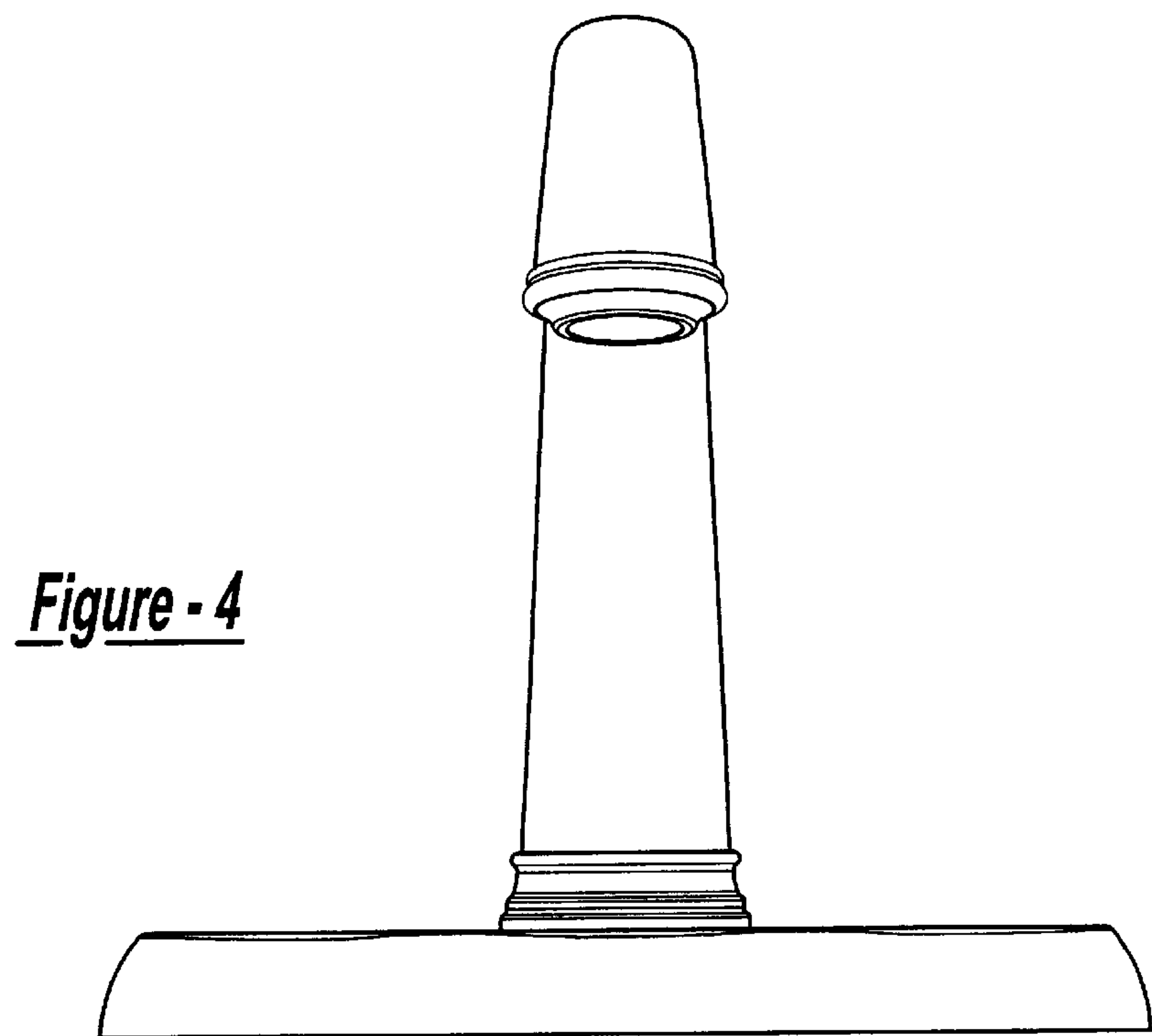
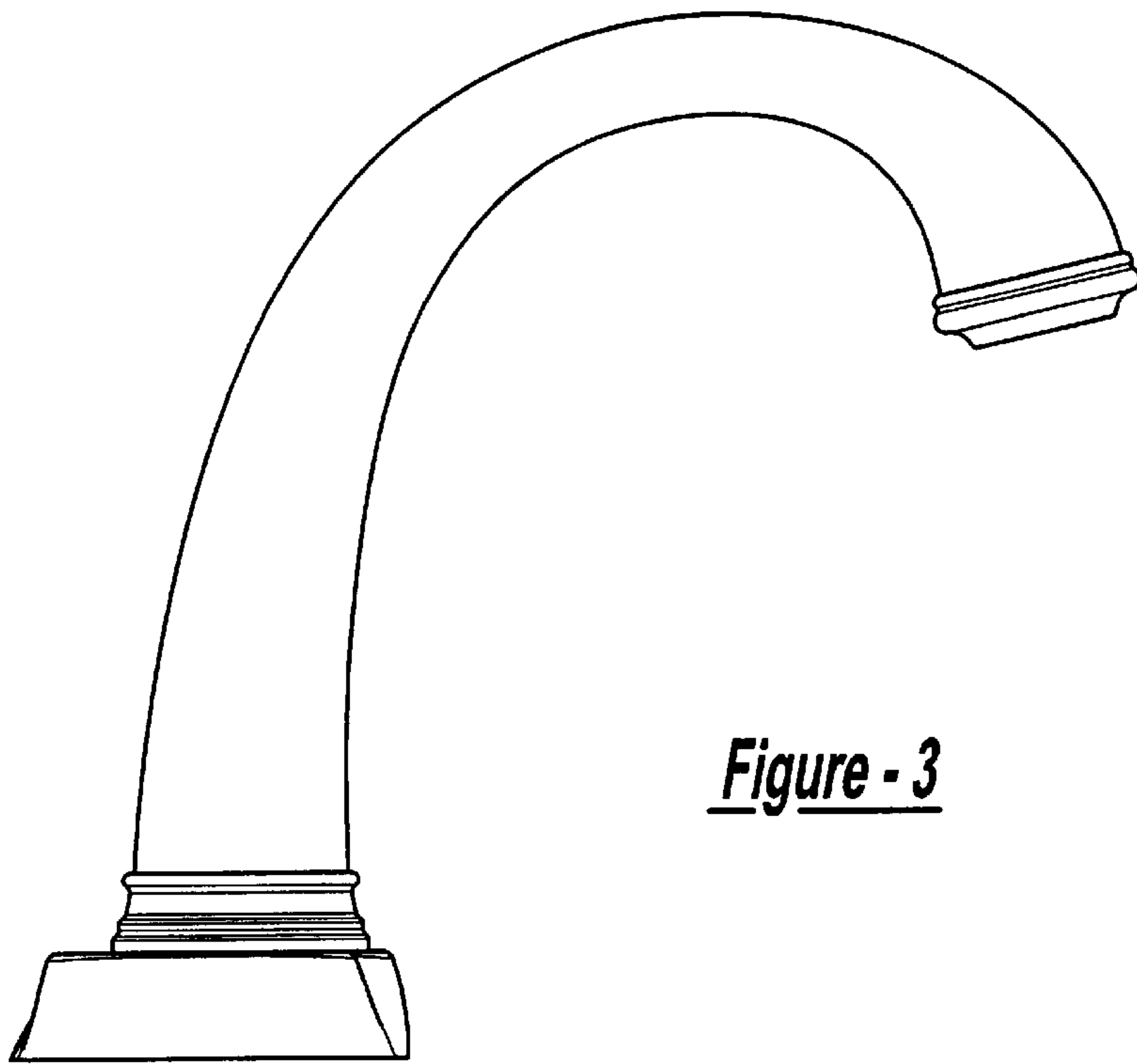


Figure - 2



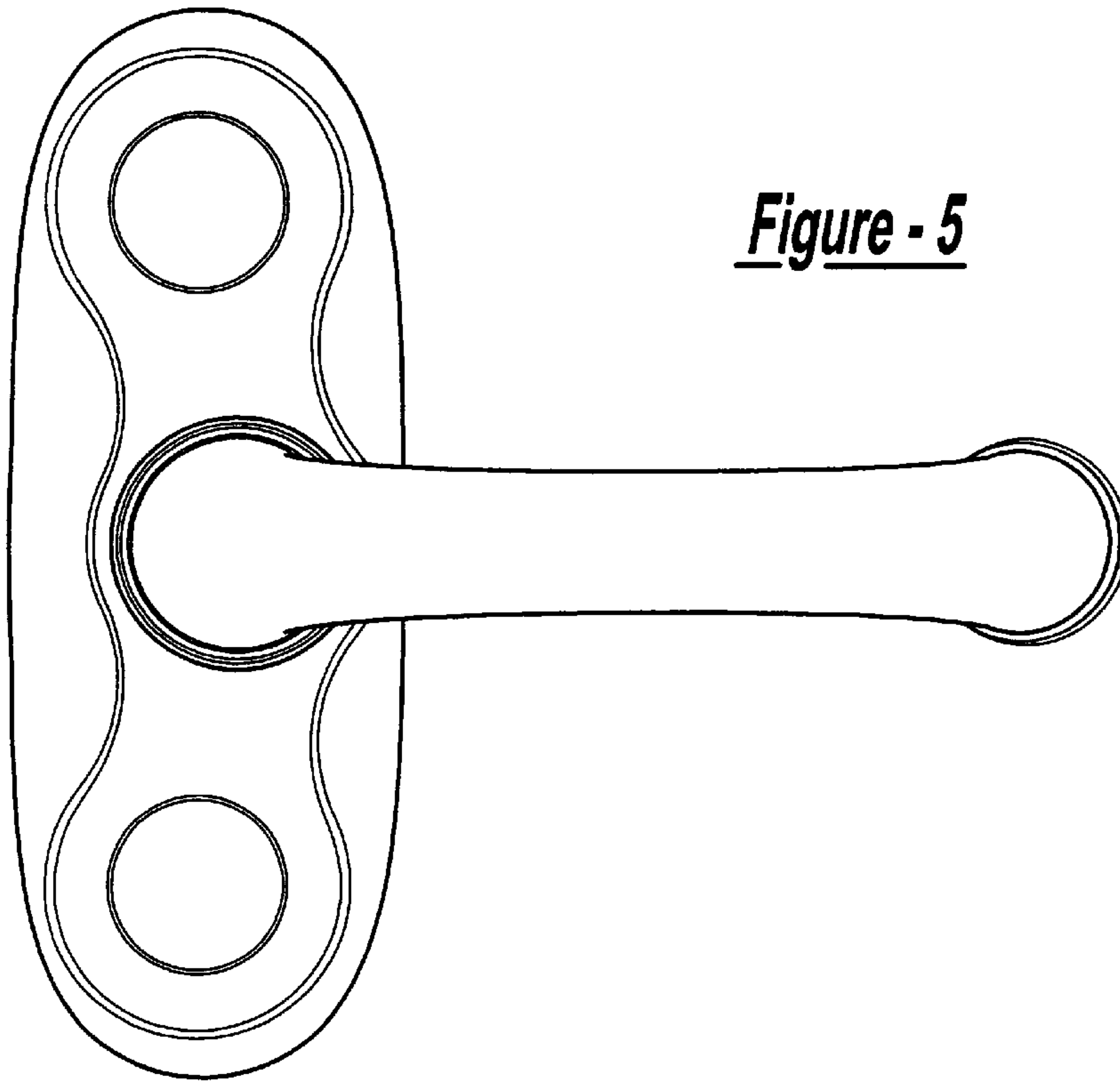


Figure - 5

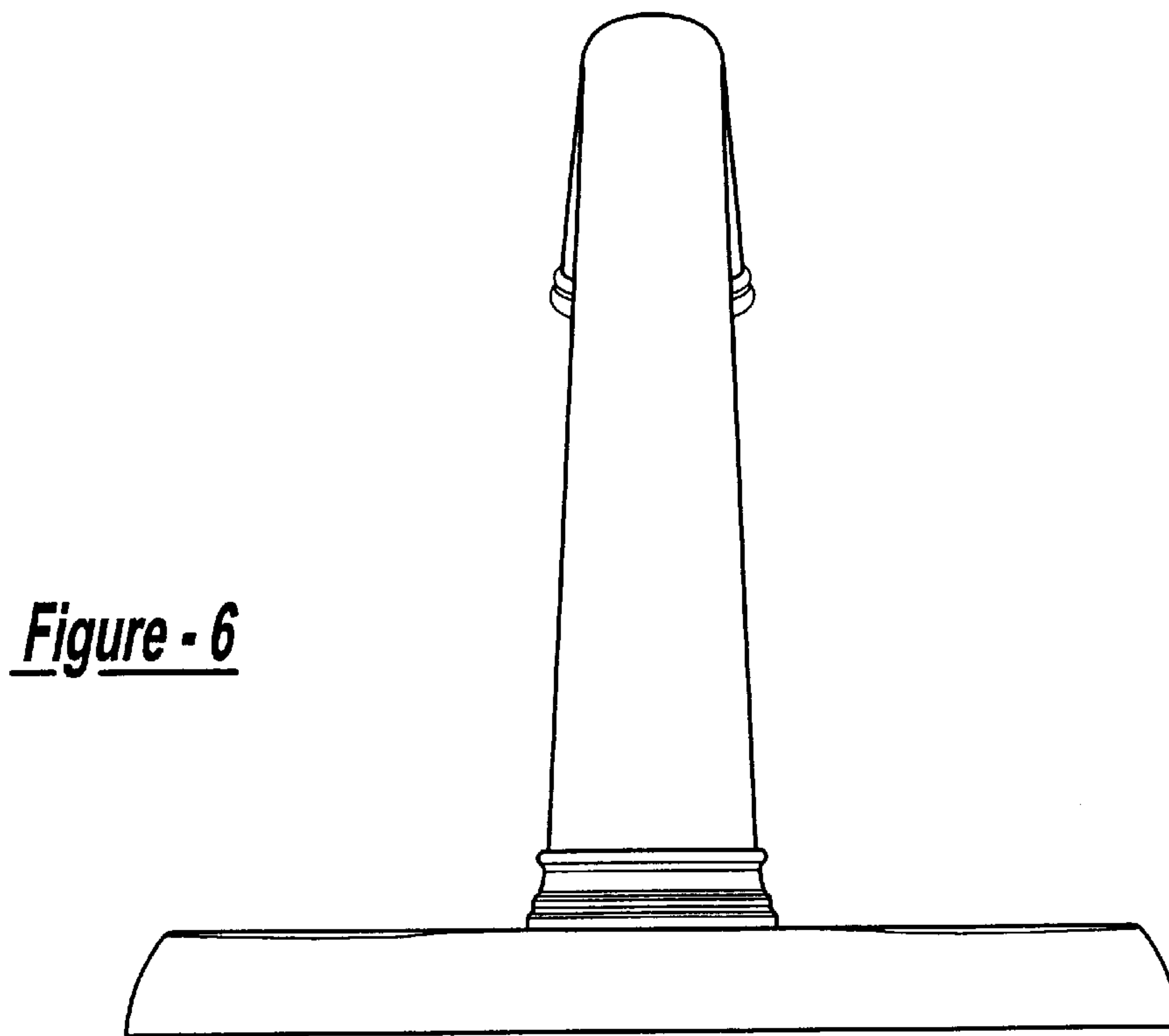


Figure - 6

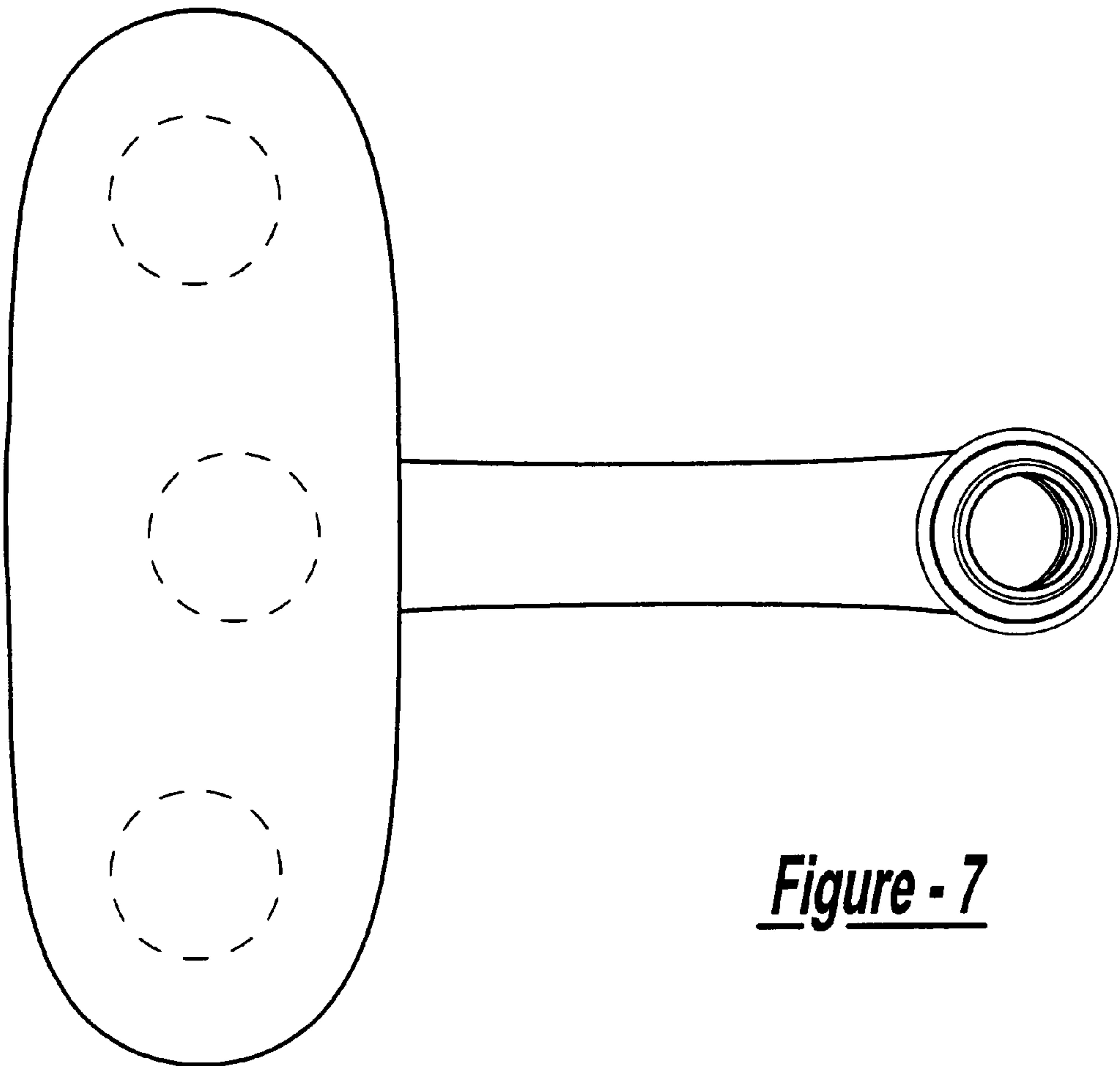


Figure - 7