



US00D430647S

United States Patent [19]

Bergum et al.

[11] Patent Number: **Des. 430,647**

[45] Date of Patent: **** Sep. 5, 2000**

[54] VALVE BODY

[75] Inventors: **Glenn R. Bergum**, St. Anthony Village;
Gregory G. Meyer, Edina, both of
Minn.

[73] Assignee: **Honeywell Inc.**, Minneapolis, Minn.

[**] Term: **14 Years**

[21] Appl. No.: **29/097,926**

[22] Filed: **Dec. 17, 1998**

[51] LOC (7) Cl. **23-01**

[52] U.S. Cl. **D23/233**

[58] Field of Search D23/233, 236-7,
D23/245; 251/331; 137/884, 454.2

[56] **References Cited**

U.S. PATENT DOCUMENTS

D. 351,897	10/1994	Keeslar	D23/233
D. 362,294	9/1995	Skaer et al.	D23/233
D. 394,700	5/1998	Emmins	D23/248
D. 403,409	12/1998	Dean et al.	D23/233

Primary Examiner—Robin V. Taylor

Attorney, Agent, or Firm—Charles L. Rubow

[57] **CLAIM**

The ornamental design for a valve body, as shown and described.

DESCRIPTION

FIG. 1 is a perspective view, as seen from the top, front and left end of a valve body in accordance with the Applicants' design without a valve bonnet in place;

FIG. 2 is a perspective view, as seen from the top, rear and left end of the valve body of FIG. 1 with a valve bonnet in place;

FIG. 3 is a front elevation view of the valve body of FIG. 1;

FIG. 4 is a left end elevation view of the valve body of FIG. 1;

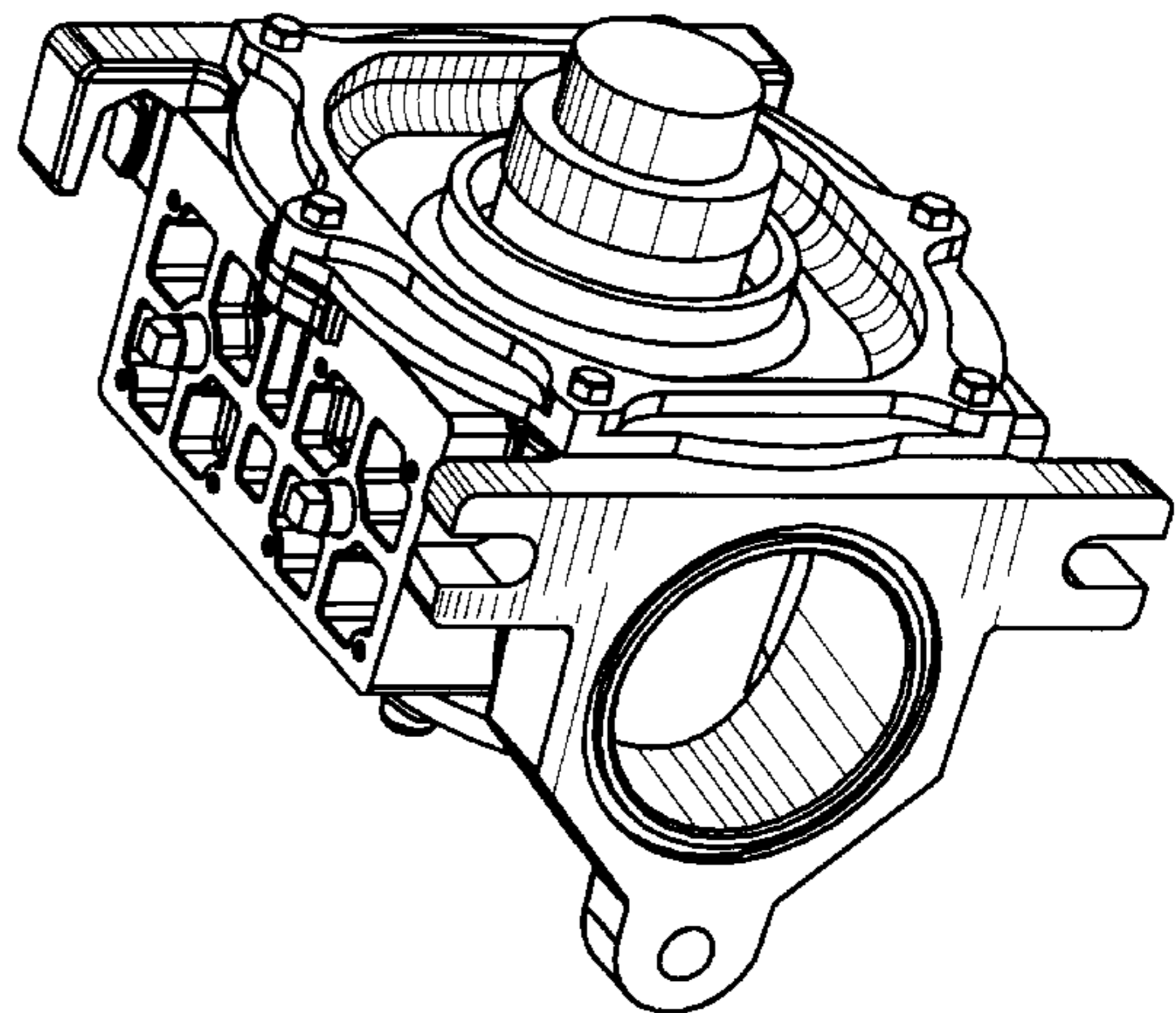
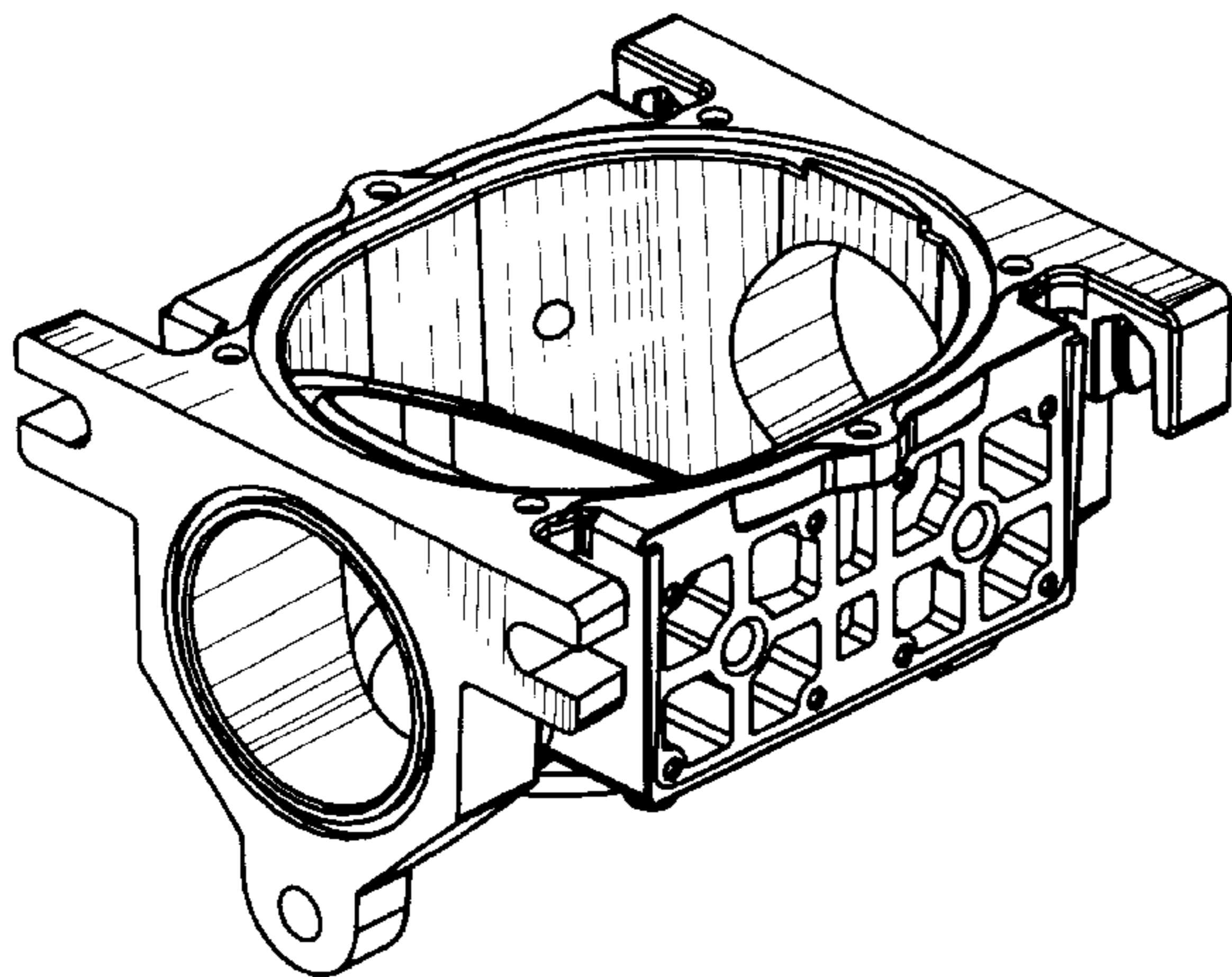
FIG. 5 is a left end elevation view of the valve body of FIG. 2 (bonnet in place);

FIG. 6 is a rear elevation view of the valve body of FIG. 1;

FIG. 7 is a bottom plan view of the valve body of FIG. 1; and,

FIG. 8 is a right end elevation view of the valve body of FIG. 1.

1 Claim, 3 Drawing Sheets



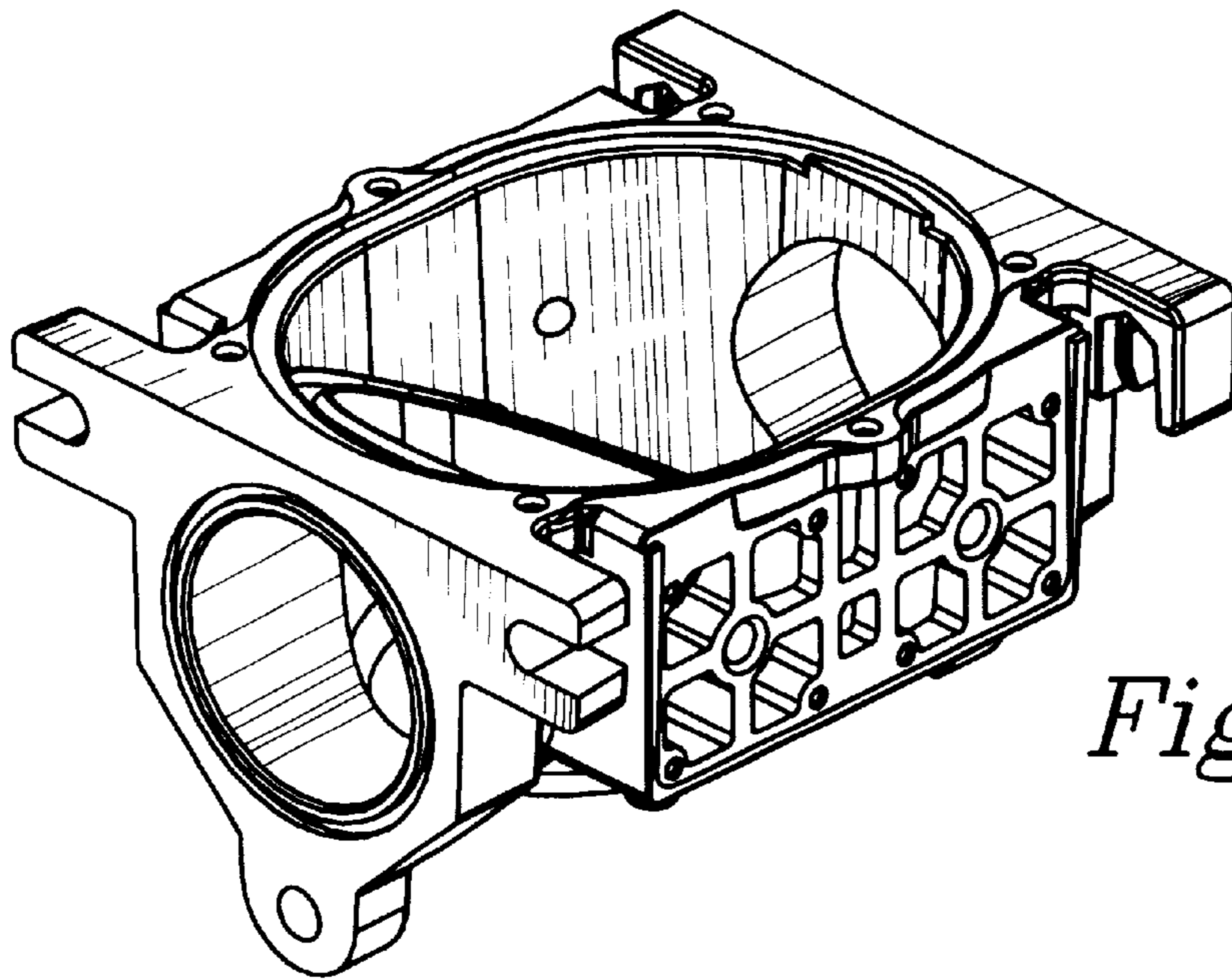


Fig. 1

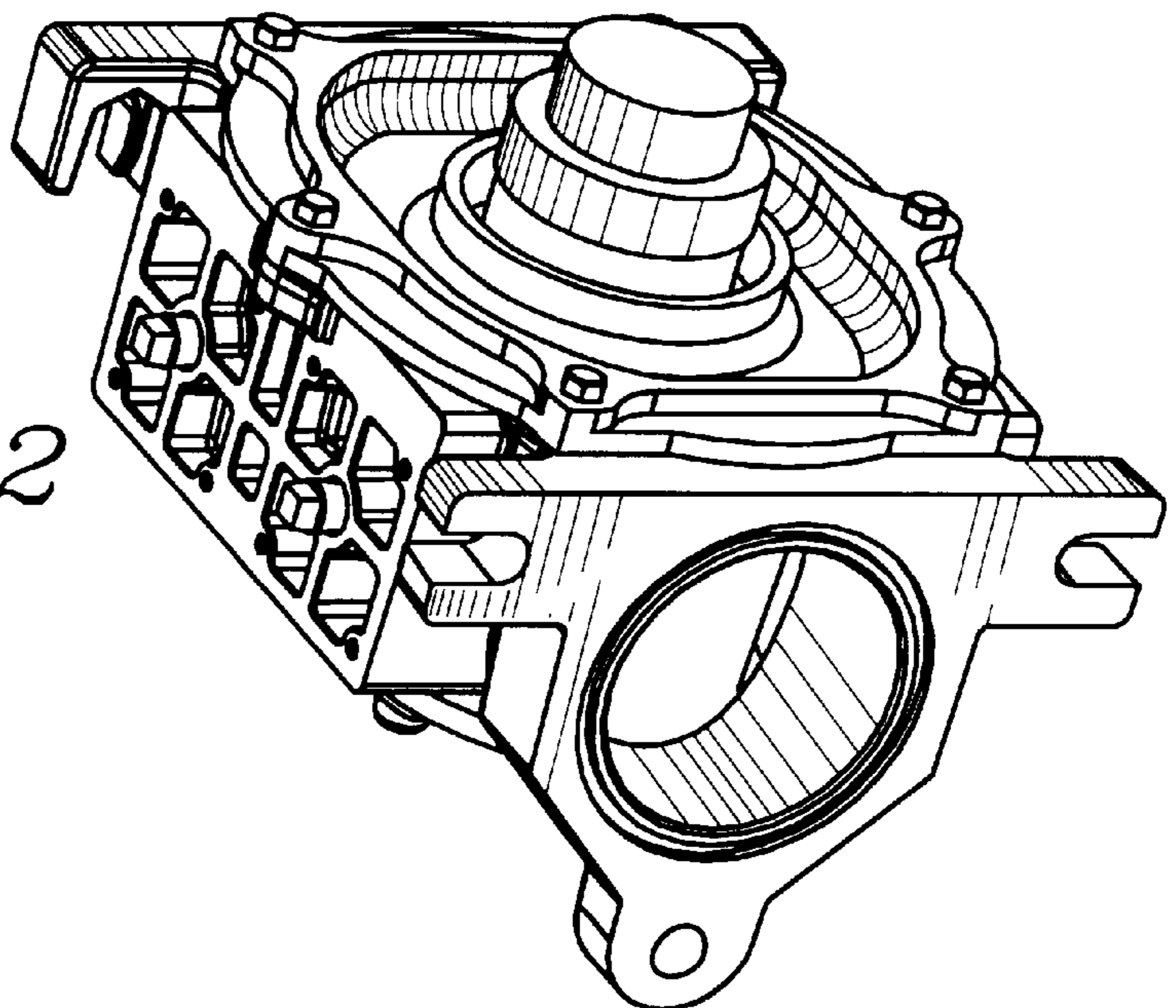


Fig. 2

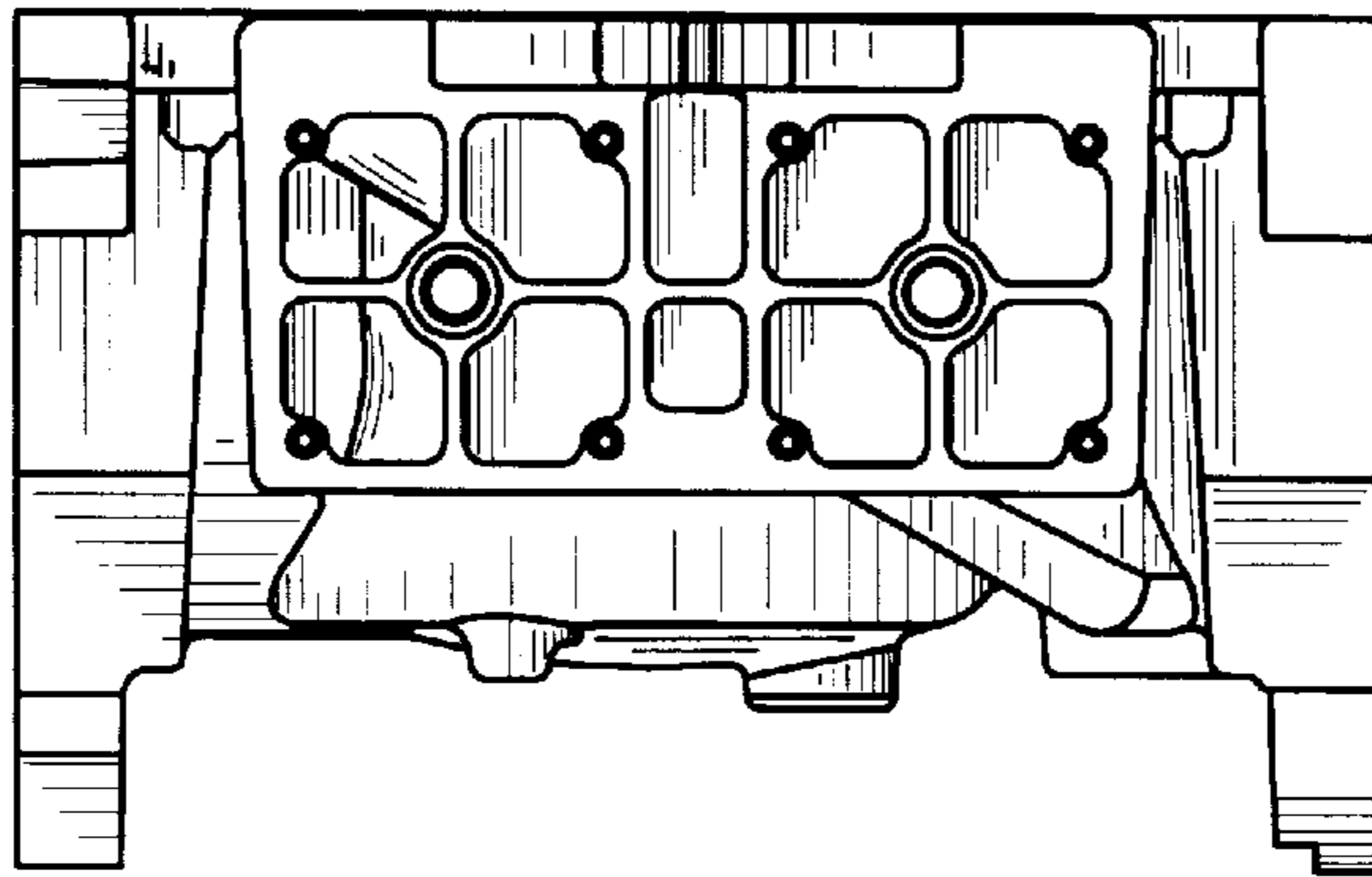


Fig. 3

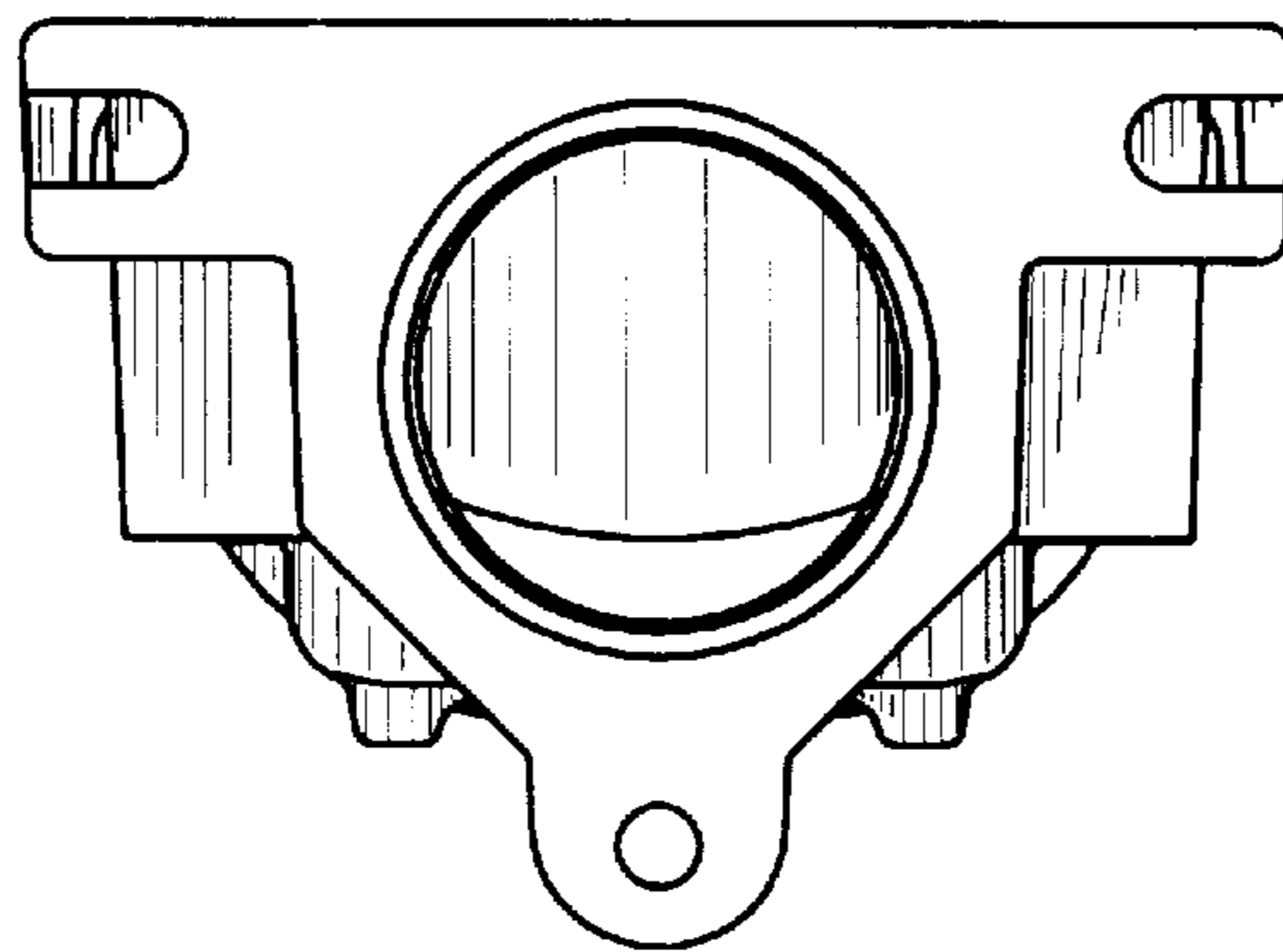


Fig. 4

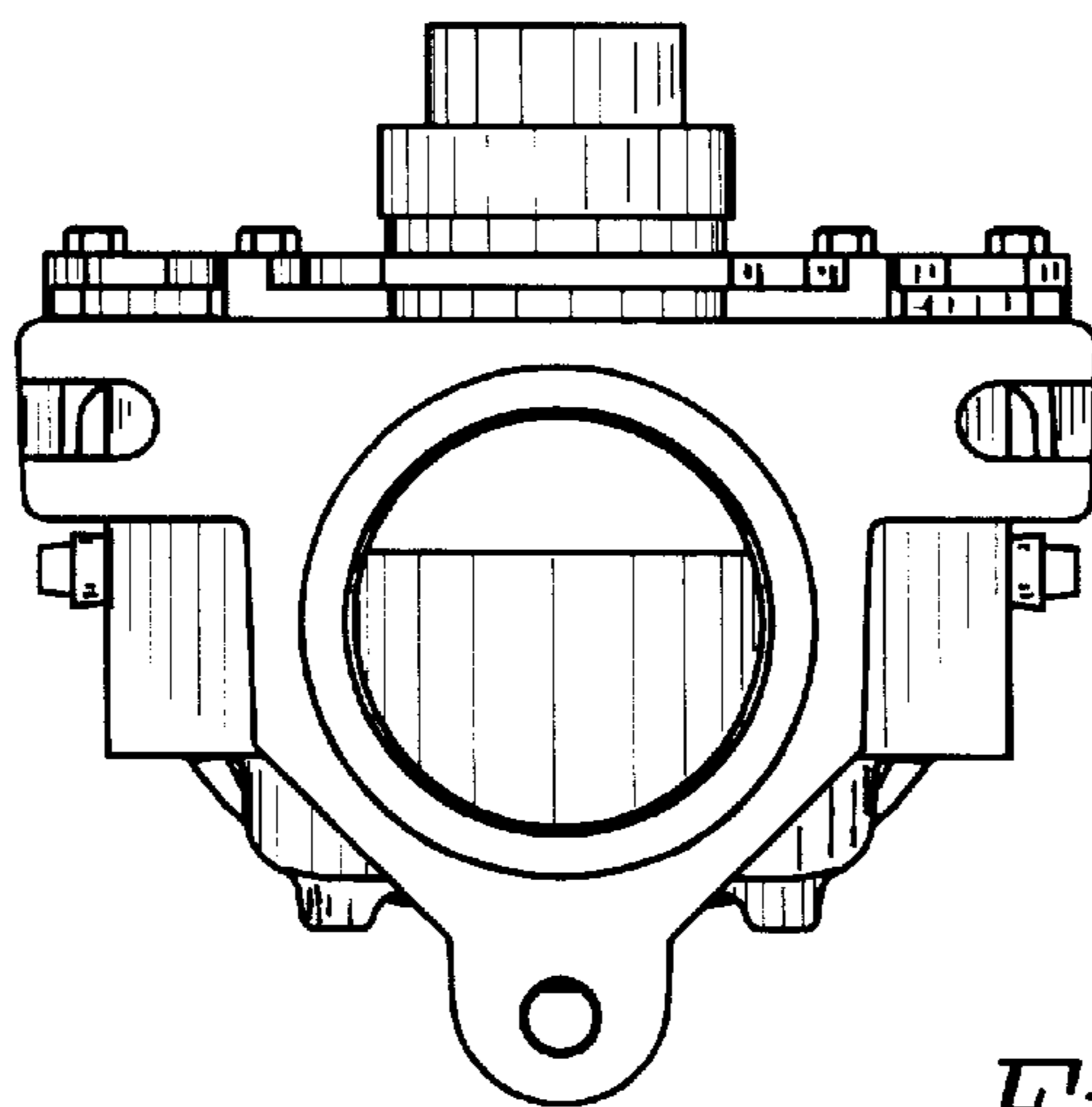


Fig. 5

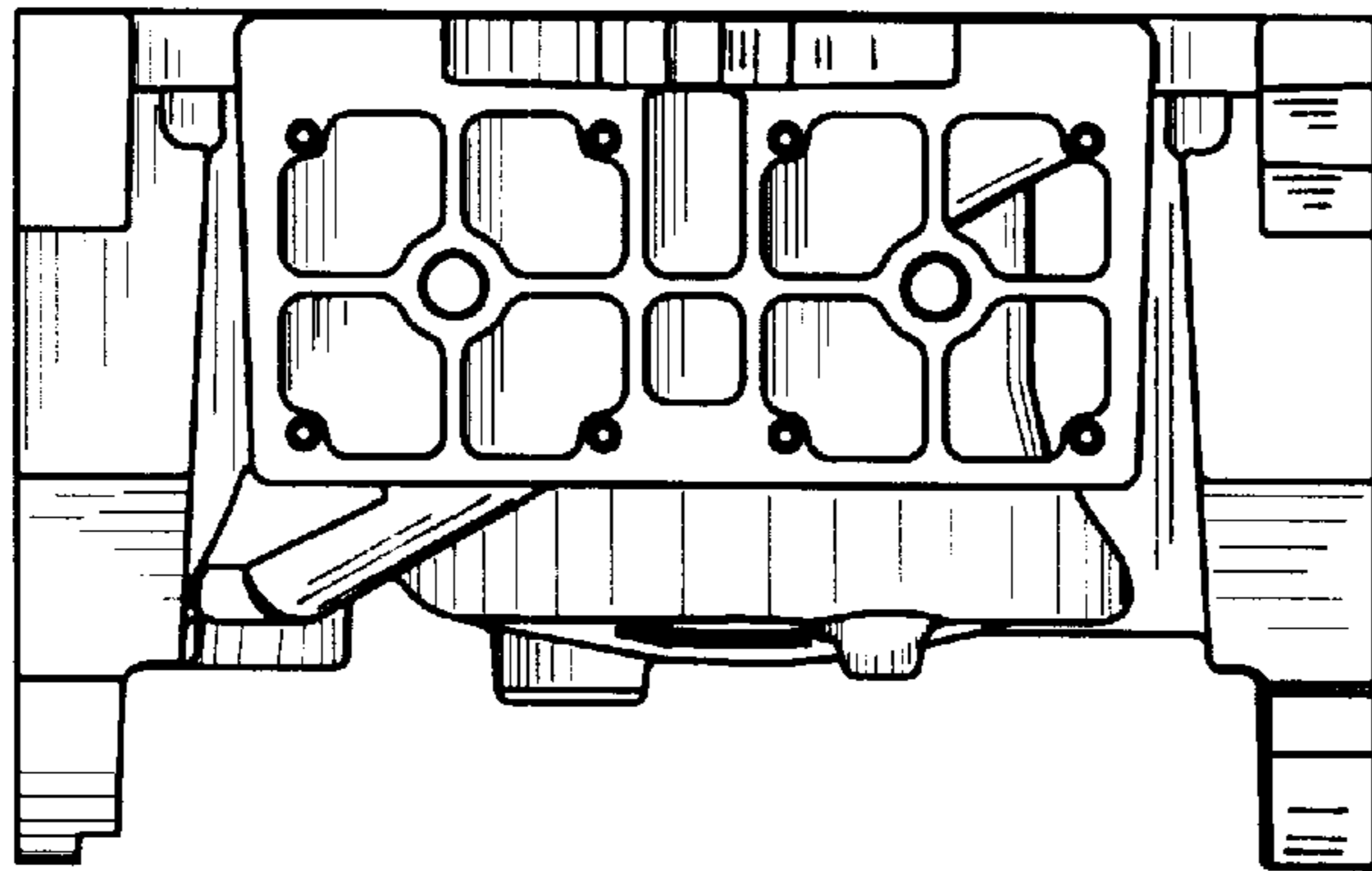


Fig. 6

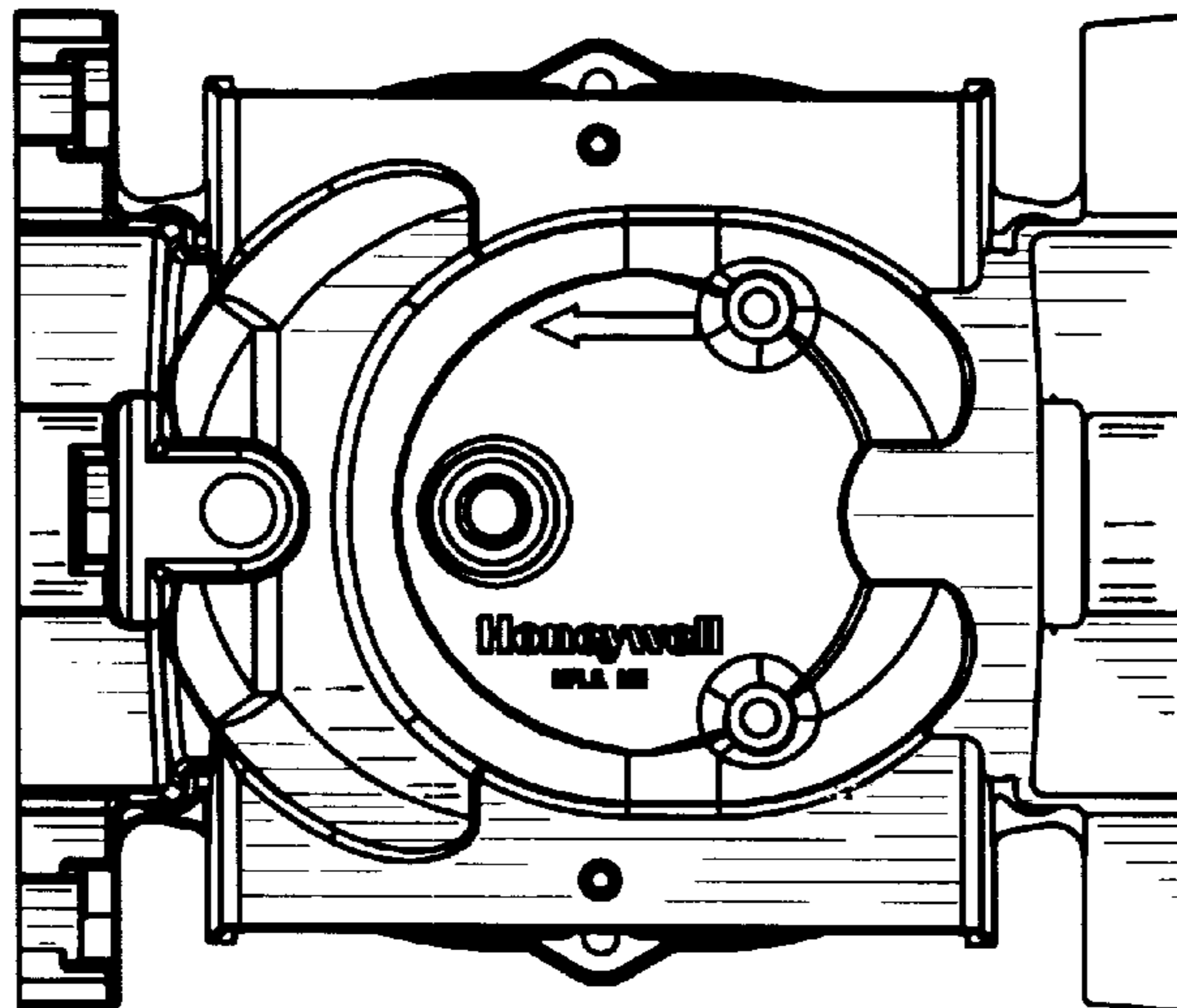


Fig. 7

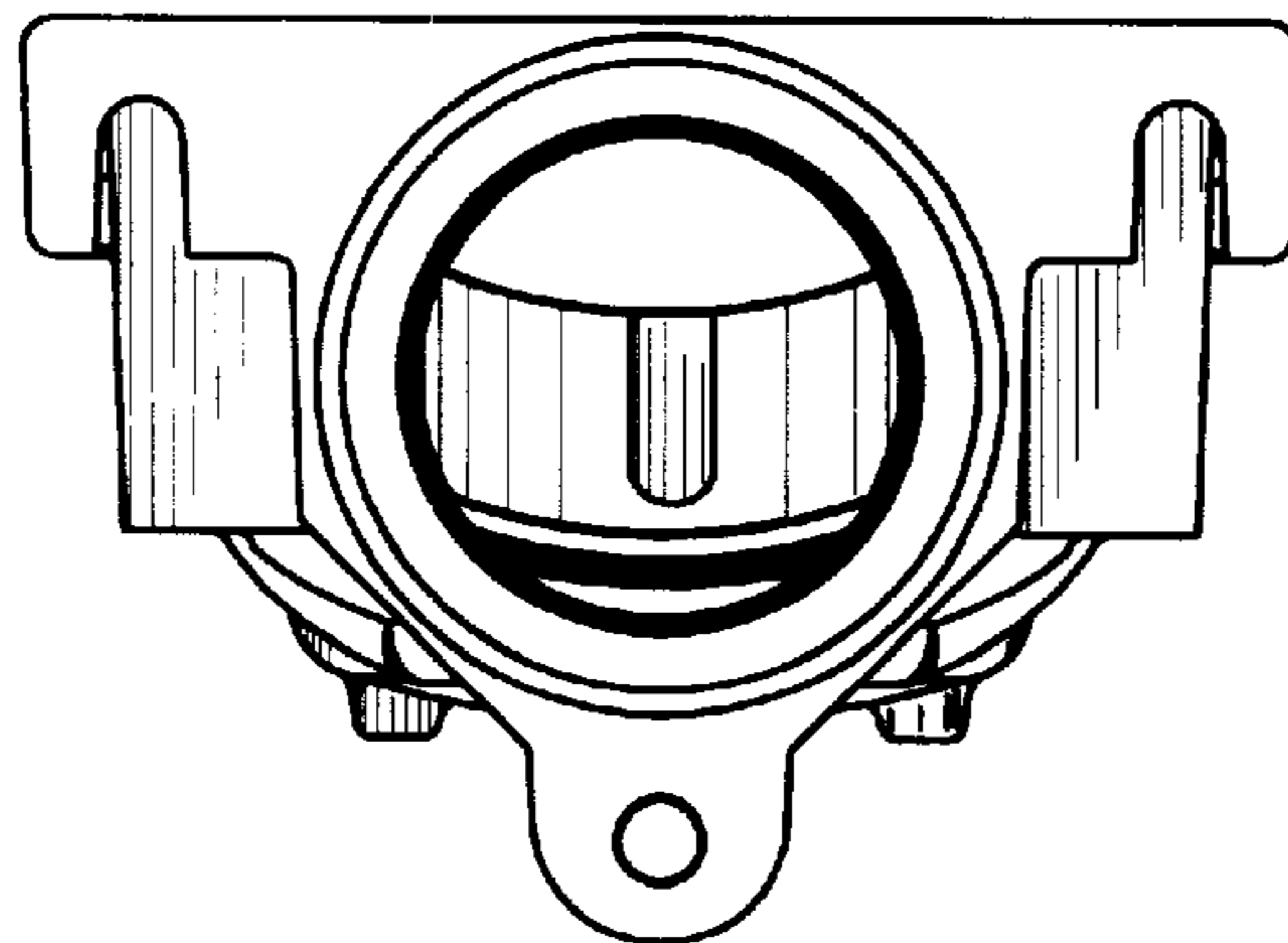


Fig. 8