



US00D430644S

United States Patent [19] Higgins

[11] Patent Number: Des. 430,644

[45] Date of Patent: ** Sep. 5, 2000

[54] **SPRAY HEAD FOR A SINK**

[75] Inventor: **Gary R. Higgins**, Laguna Beach, Calif.

[73] Assignee: **TWI International, Inc.**, Bedford Heights, Ohio

[**] Term: **14 Years**

[21] Appl. No.: **29/114,841**

[22] Filed: **Dec. 2, 1999**

[51] **LOC (7) Cl.** **23-01**

[52] **U.S. Cl.** **D23/226**

[58] **Field of Search** D23/213, 223,
D23/226; 4/615; 239/525-527

D. 385,950 11/1997 Yang D23/226

D. 390,915 2/1998 Futo et al. .

D. 392,023 3/1998 Milrud et al. .

D. 406,317 3/1999 Hill et al. .

D. 409,721 5/1999 Burchard et al. .

D. 415,822 10/1999 Ouyoung D23/226

D. 420,427 2/2000 Yung D23/226

Primary Examiner—Robin V. Taylor
Attorney, Agent, or Firm—Howard M. Cohn

[57] CLAIM

I claim the ornamental design of a spray head for a sink, as shown and described.

DESCRIPTION

FIG. 1 is a perspective view of a spray head for a sink in accordance with the design;

FIG. 2 is a front view thereof;

FIG. 3 is a rear view thereof;

FIG. 4 is a right side view thereof, the left side being identical;

FIG. 5 is a top view thereof; and,

FIG. 6 is a bottom view thereof.

[56] **References Cited**

U.S. PATENT DOCUMENTS

D. 233,606 11/1974 Rauh .

D. 290,741 7/1987 Fairchild .

D. 308,093 5/1990 Hill et al. .

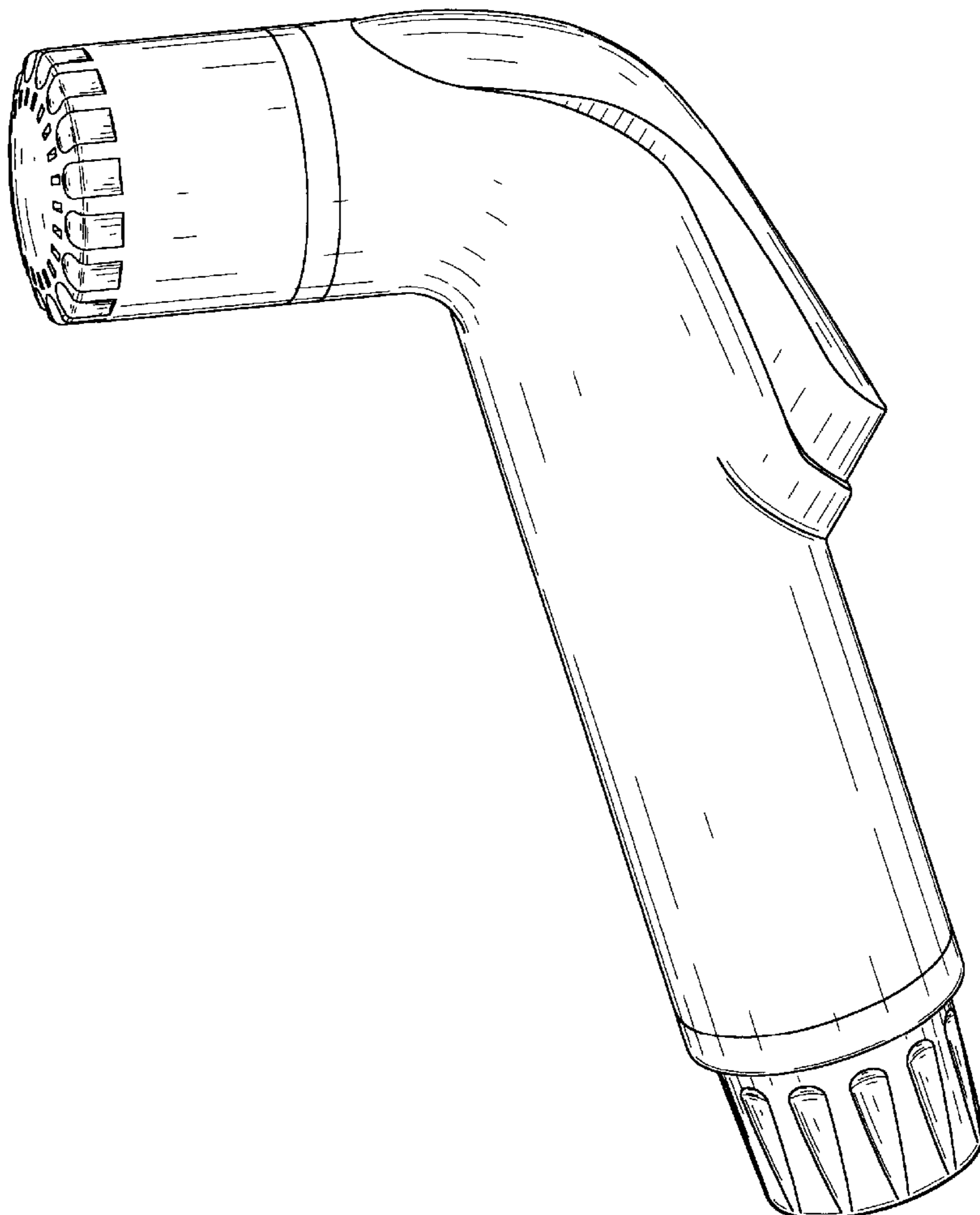
D. 337,811 7/1993 Valley et al. D23/226

D. 352,766 11/1994 Hill et al. .

D. 373,173 8/1996 Valley et al. .

D. 378,122 2/1997 Milrud et al. .

1 Claim, 3 Drawing Sheets



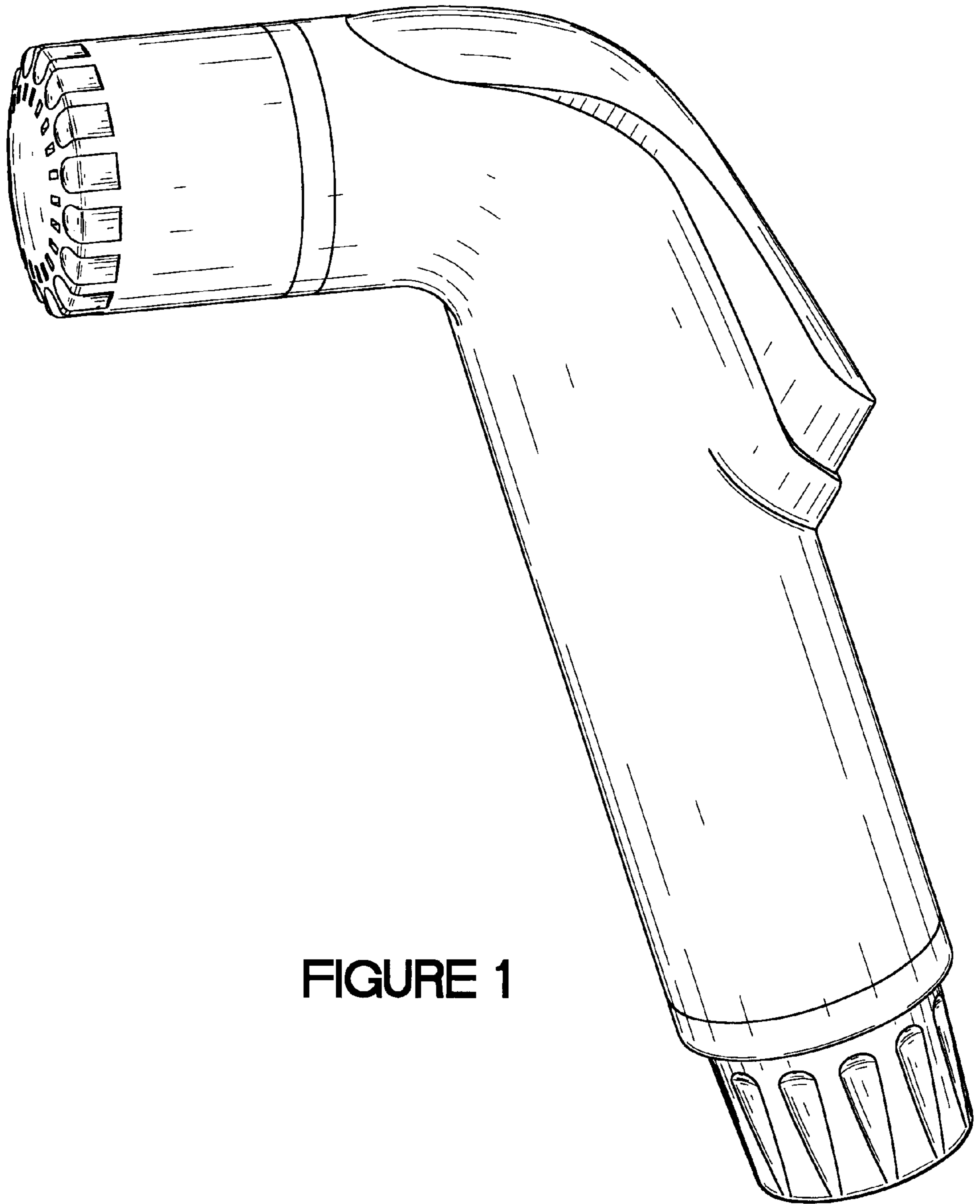


FIGURE 1

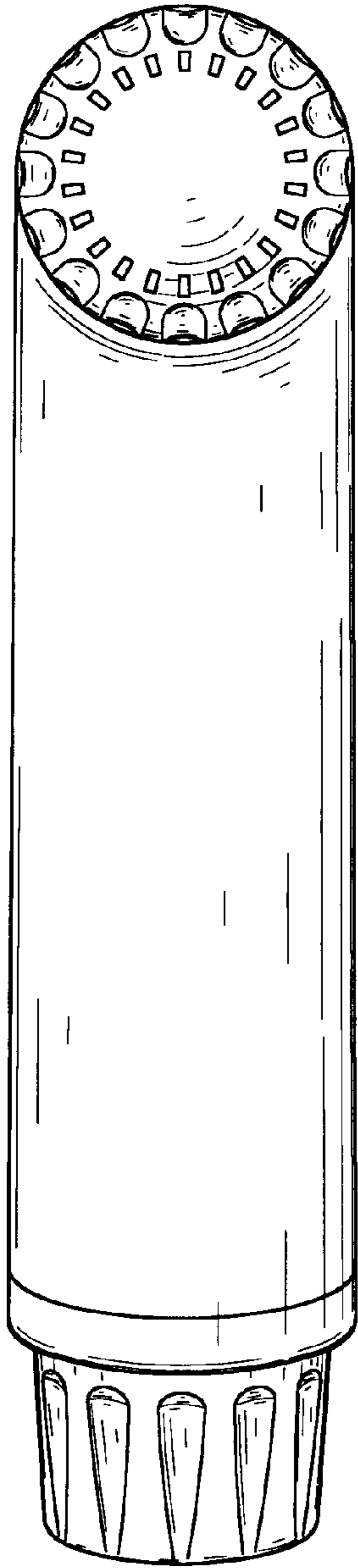


FIGURE 2

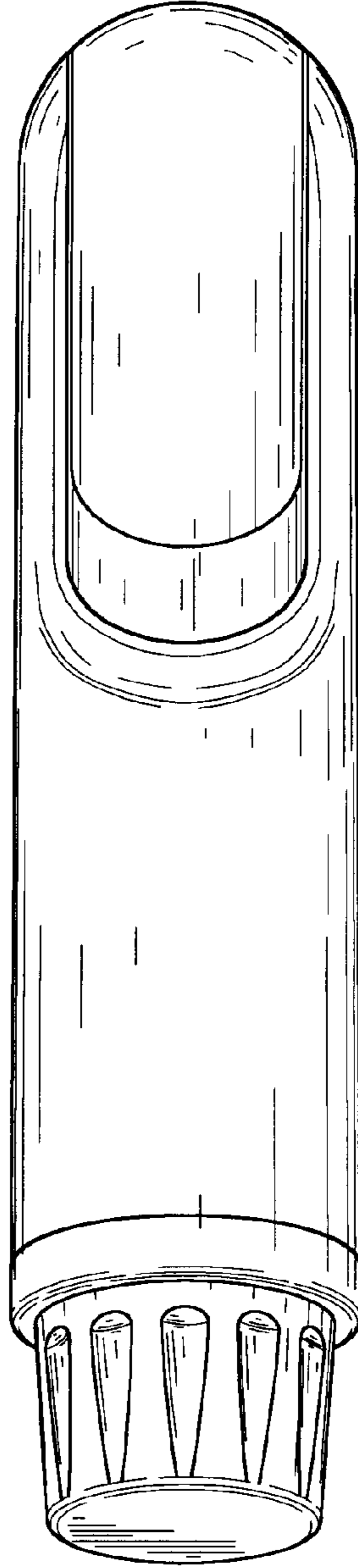


FIGURE 3

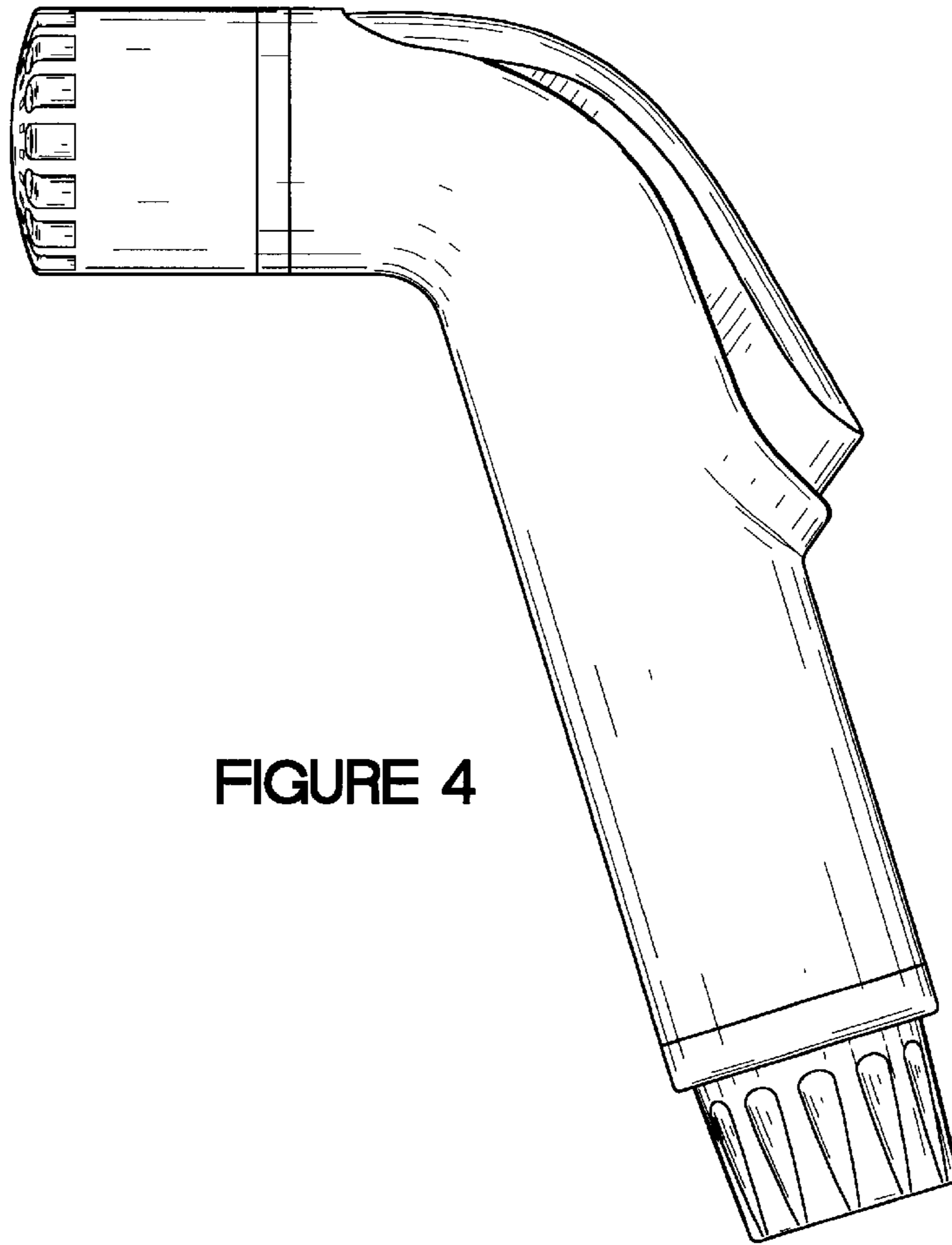


FIGURE 4

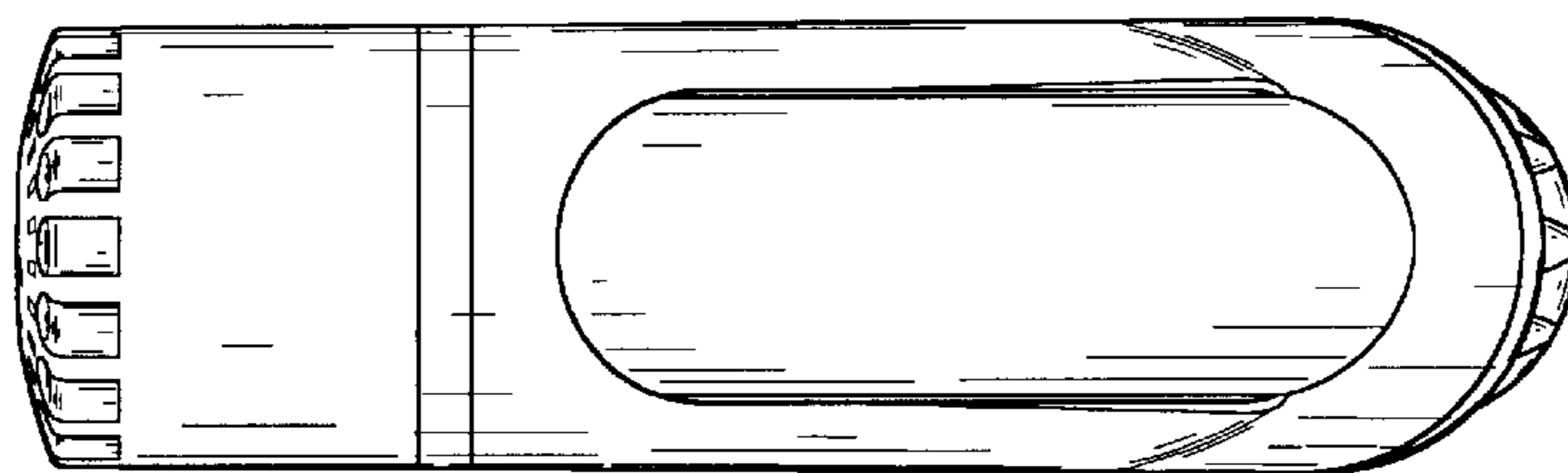


FIGURE 5

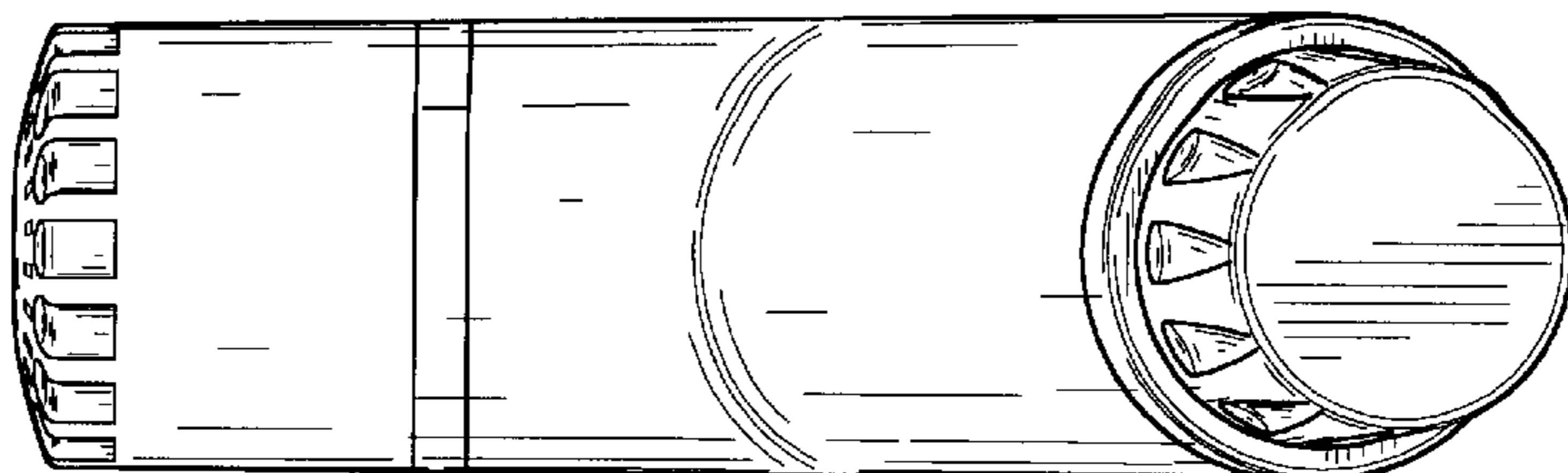


FIGURE 6