

US00D430637S

United States Patent [19]
Evans

[11] **Patent Number: Des. 430,637**

[45] **Date of Patent: ** Sep. 5, 2000**

[54] **SWIM FIN HAVING MOVABLE FOILS**

D. 297,754 9/1988 Hwang D21/806

[76] Inventor: **Robert B. Evans**, 715 Kimball Ave.,
Santa Barbara, Calif. 93103

Primary Examiner—Kay H. Chin
Attorney, Agent, or Firm—Cislo & Thomas LLP

[**] Term: **14 Years**

[57] **CLAIM**

[21] Appl. No.: **29/118,813**

The ornamental design for a swim fin having movable foils,
as shown and described herein.

[22] Filed: **Feb. 16, 2000**

DESCRIPTION

Related U.S. Application Data

[62] Division of application No. 29/102,484, Mar. 25, 1999.

FIG. 1 Is a top perspective view of my swim fin having
movable foils;

[51] **LOC (7) Cl.** **21-01**

FIG. 2 Is a right side elevational view thereof with the left
side elevational view being a mirror image thereof;

[52] **U.S. Cl.** **D21/806**

FIG. 3 Is a back view thereof;

[58] **Field of Search** D21/801, 803,
D21/804, 806, 808; 441/61-64

FIG. 4 Is a front view thereof;

FIG. 5 Is a top view thereof; and,

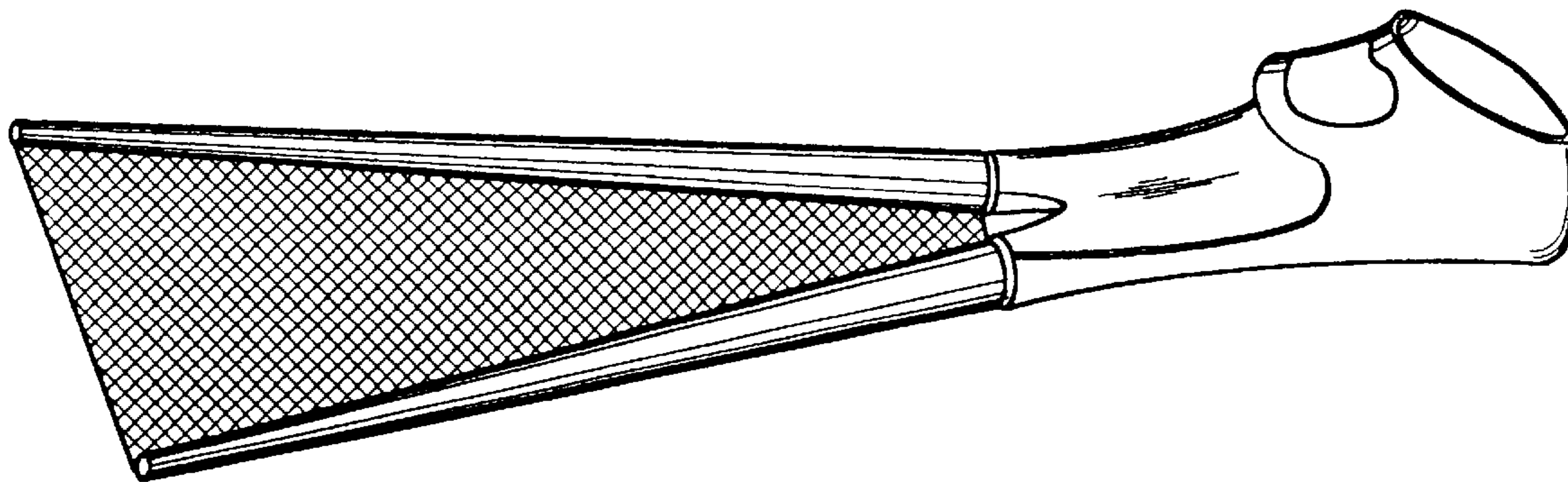
FIG. 6 is a bottom view thereof.

[56] **References Cited**

U.S. PATENT DOCUMENTS

D. 286,668 11/1986 Berenson D21/806

1 Claim, 2 Drawing Sheets



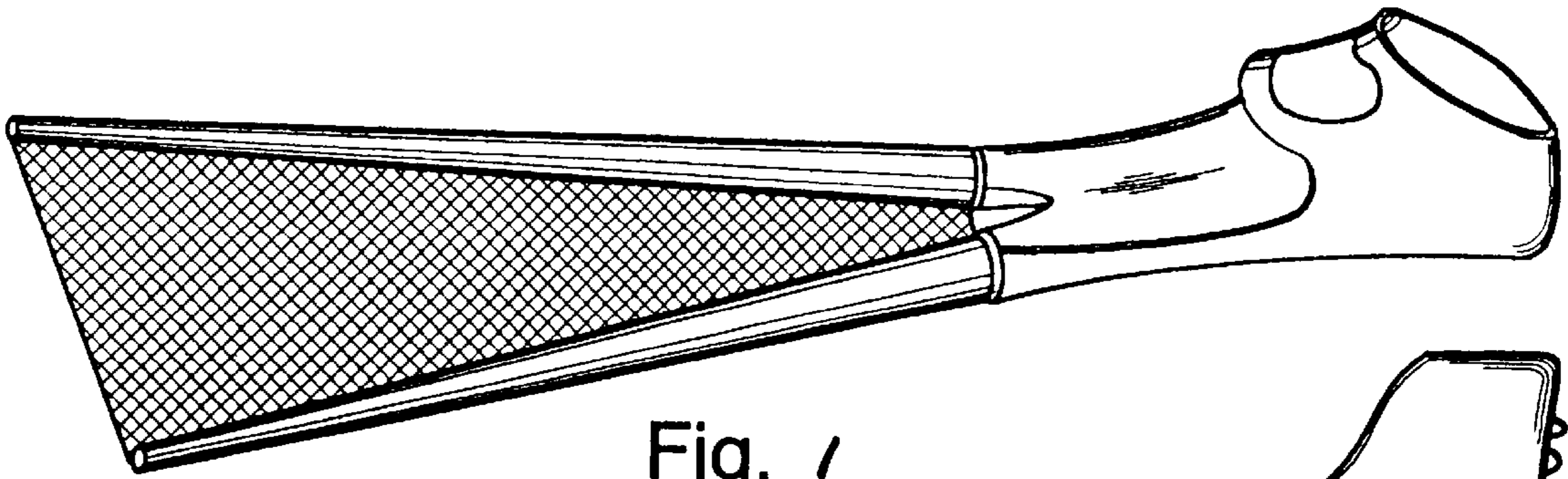


Fig. 1

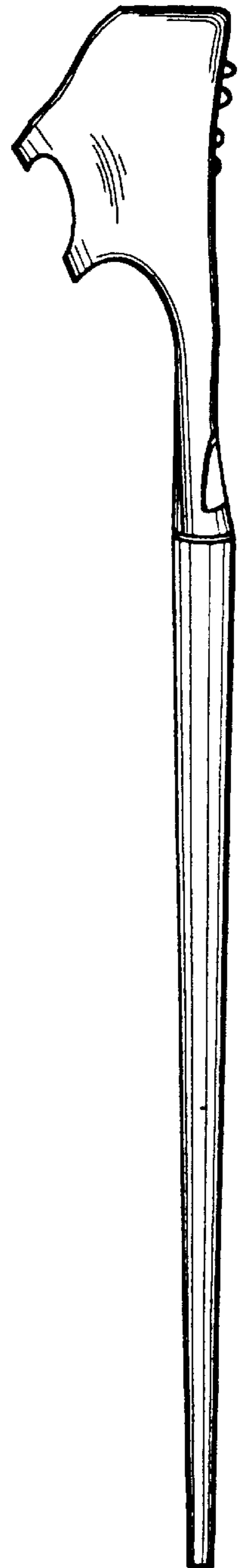


Fig. 2

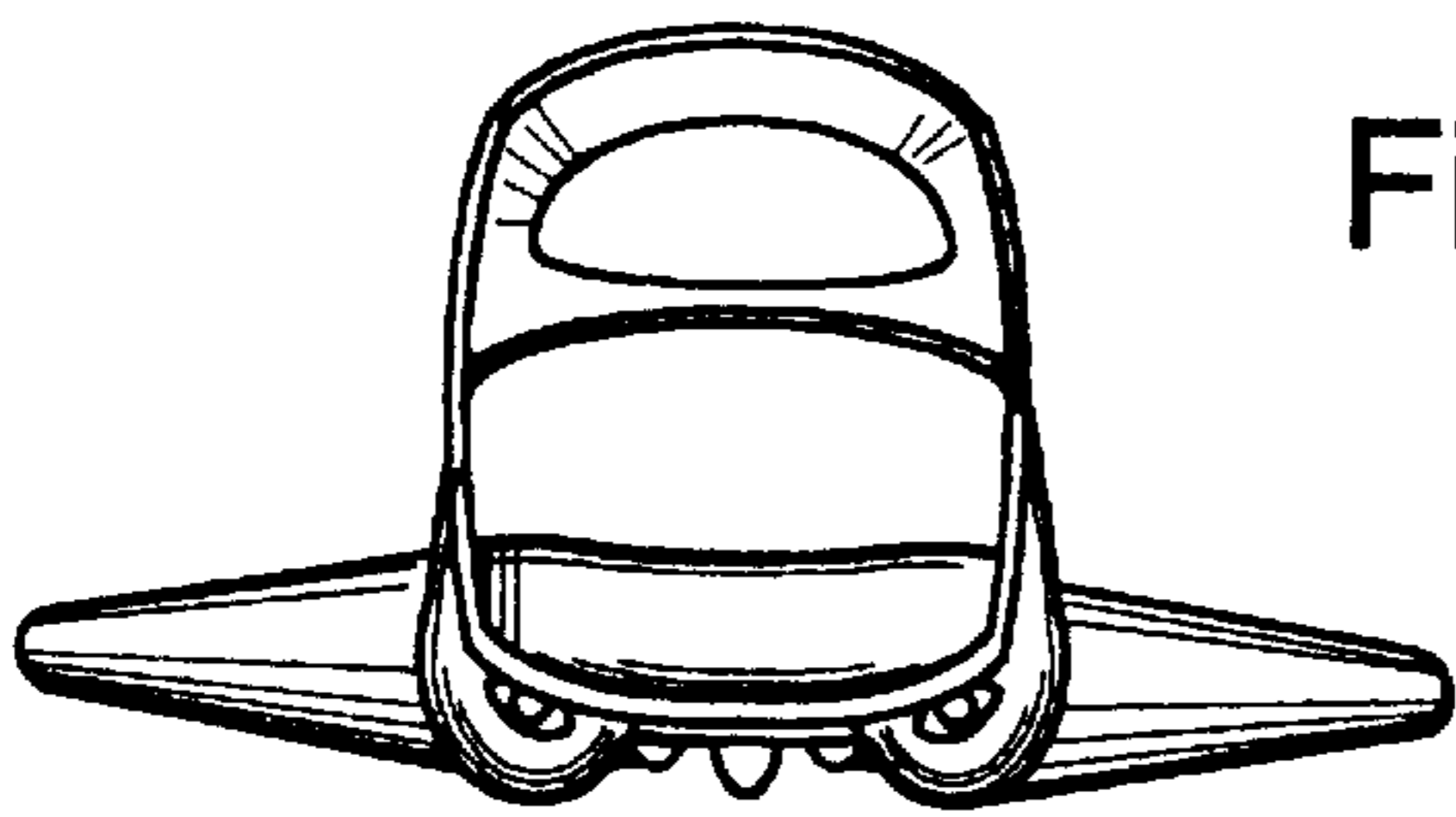


Fig. 3

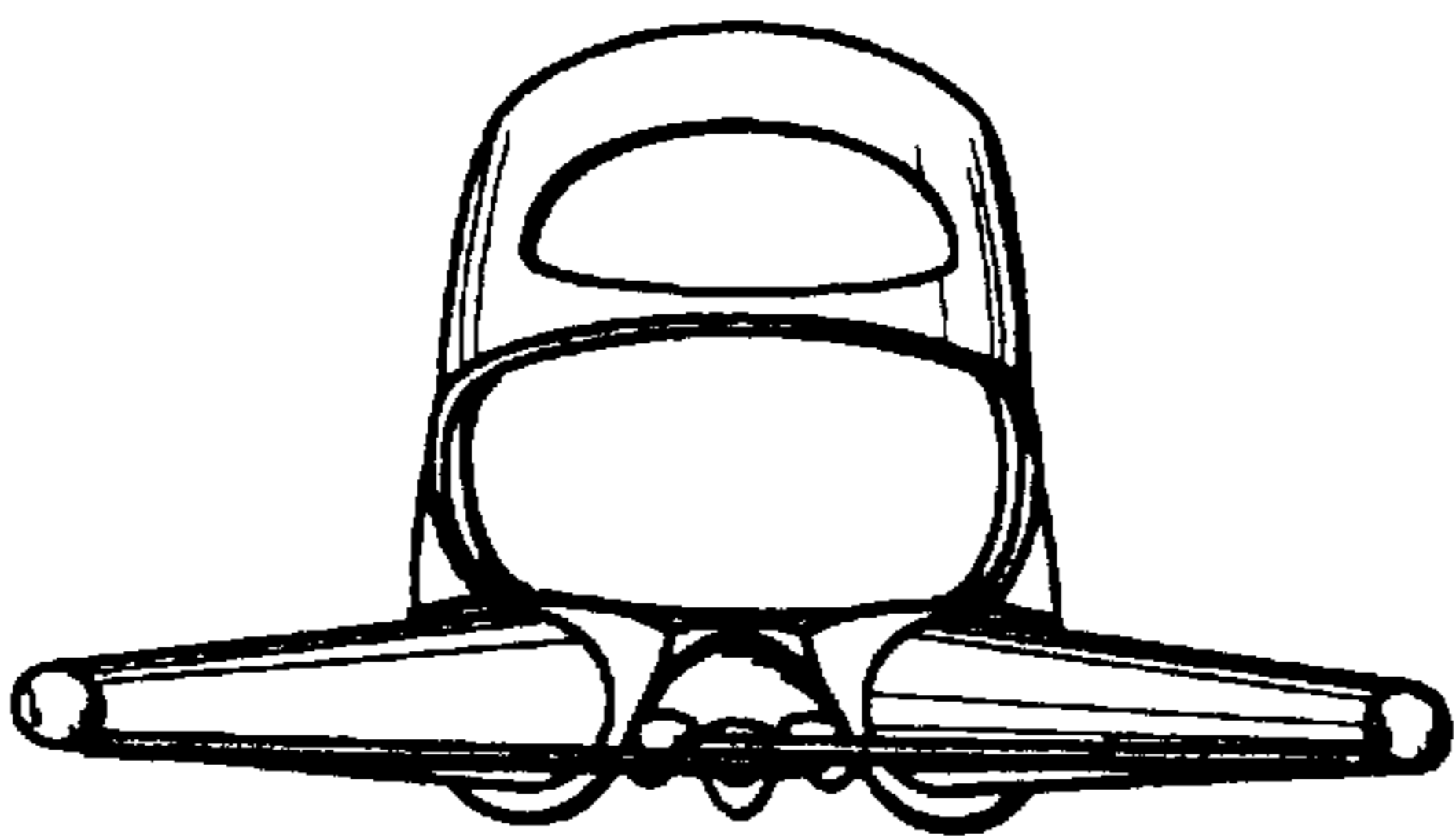


Fig. 4

Fig. 5

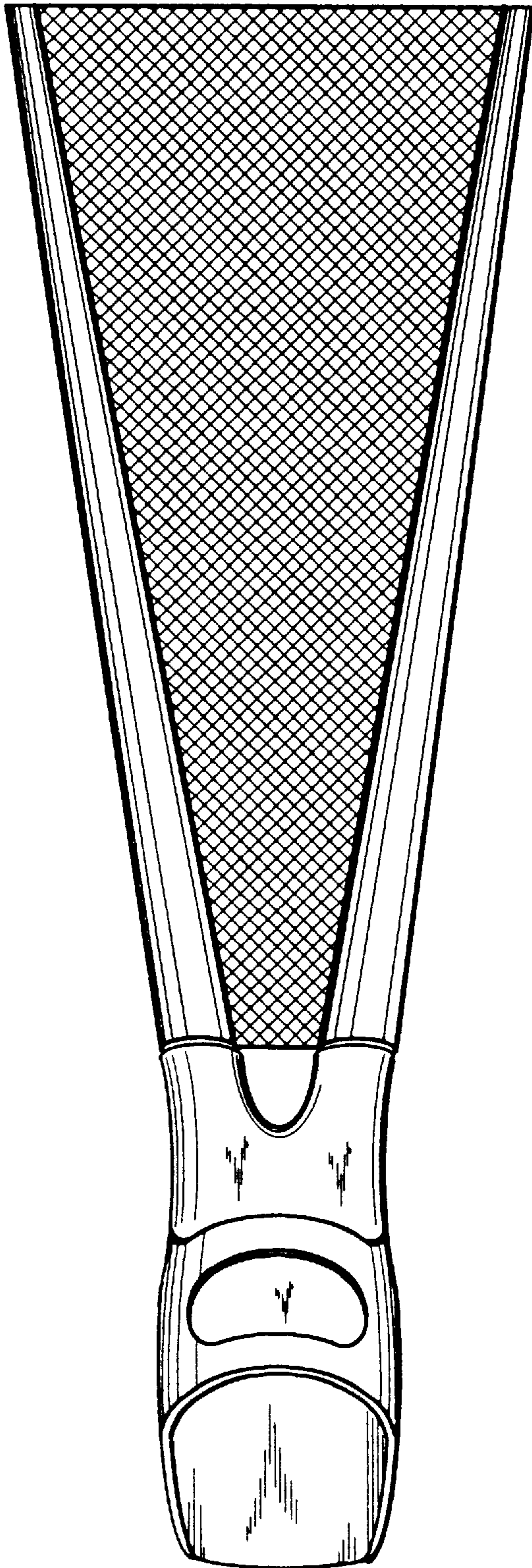


Fig. 6

