



US00D430635S

United States Patent [19]

Danache

[11] Patent Number: **Des. 430,635**

[45] Date of Patent: **** Sep. 5, 2000**

[54] **SKATEBOARD WITH A ROTATABLE UPPER PLATFORM**

5,201,659 4/1993 Nelson 280/87.042
5,458,351 10/1995 Yu 280/87.042
5,839,737 11/1998 Kruczek 280/87.042

[76] Inventor: **Enrique H. Danache**, 1191 Yost Rd.,
San Benito, Tex. 78586

FOREIGN PATENT DOCUMENTS

[**] Term: **14 Years**

1405865 6/1988 U.S.S.R. .

[21] Appl. No.: **29/114,584**

Primary Examiner—Raphael Barkai
Attorney, Agent, or Firm—Stephen R. Greiner

[22] Filed: **Nov. 30, 1999**

[57] CLAIM

[51] **LOC (7) Cl.** **21-02**

The ornamental design for a skateboard with a rotatable upper platform, as shown and described.

[52] **U.S. Cl.** **D21/765**

[58] **Field of Search** D21/760, 763-765,
D21/771, 419, 421; 280/87.01, 87.041,
87.042, 843, 11.19, 11.2

DESCRIPTION

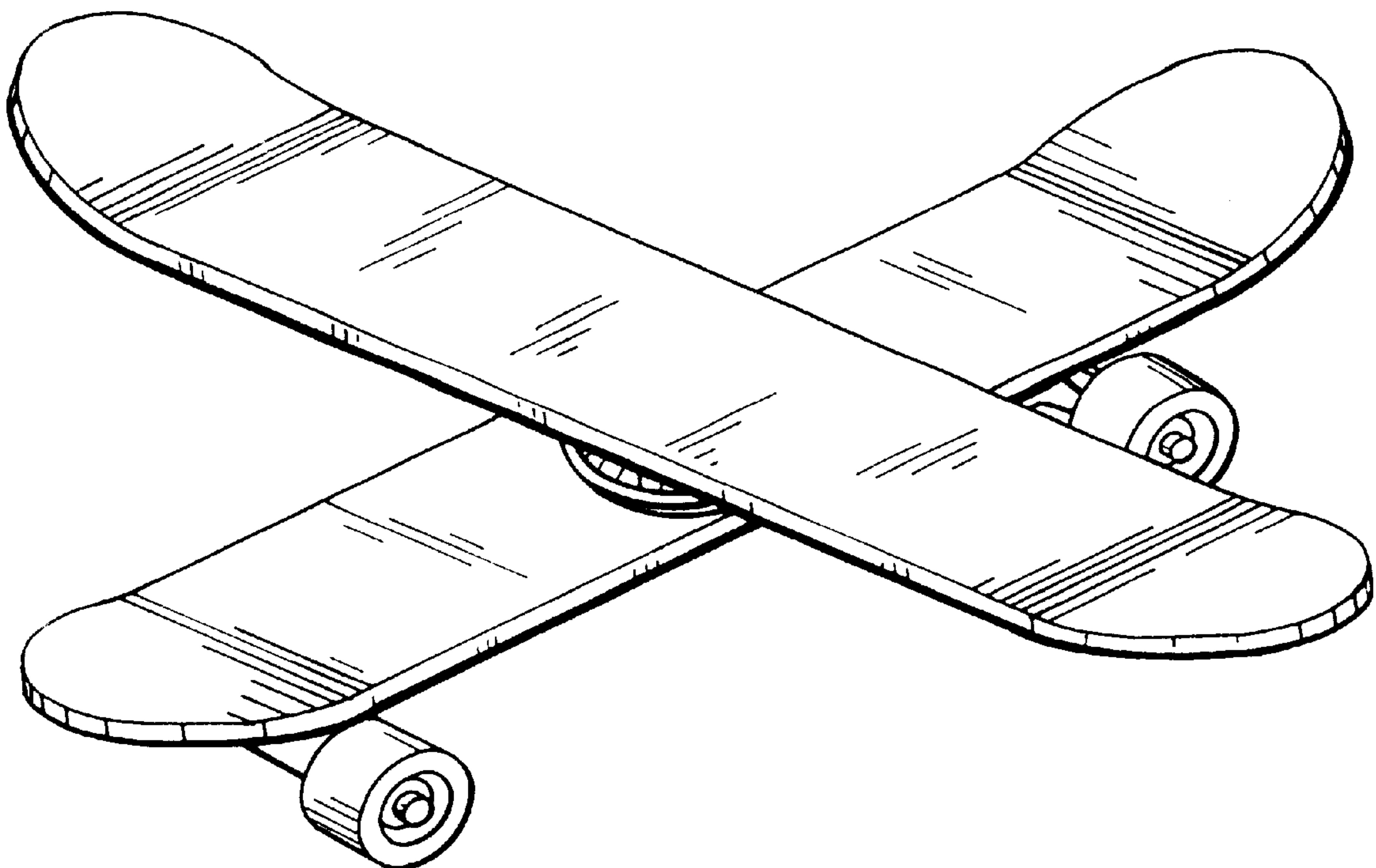
[56] References Cited

U.S. PATENT DOCUMENTS

D. 298,448 11/1988 Seehaver D21/765
D. 421,282 2/2000 Orr D21/765
4,160,554 7/1979 Cooney .
4,230,330 10/1980 Muhammad .
5,062,630 11/1991 Nelson .

FIG. 1 is a perspective view of a skateboard with a rotatable upper platform showing my new design;
FIG. 2 is a top view thereof;
FIG. 3 is a right side elevational view with the left side being a mirror image thereof;
FIG. 4 is a front elevational view with the rear elevational view being a mirror image thereof; and,
FIG. 5 is a bottom view thereof.

1 Claim, 2 Drawing Sheets



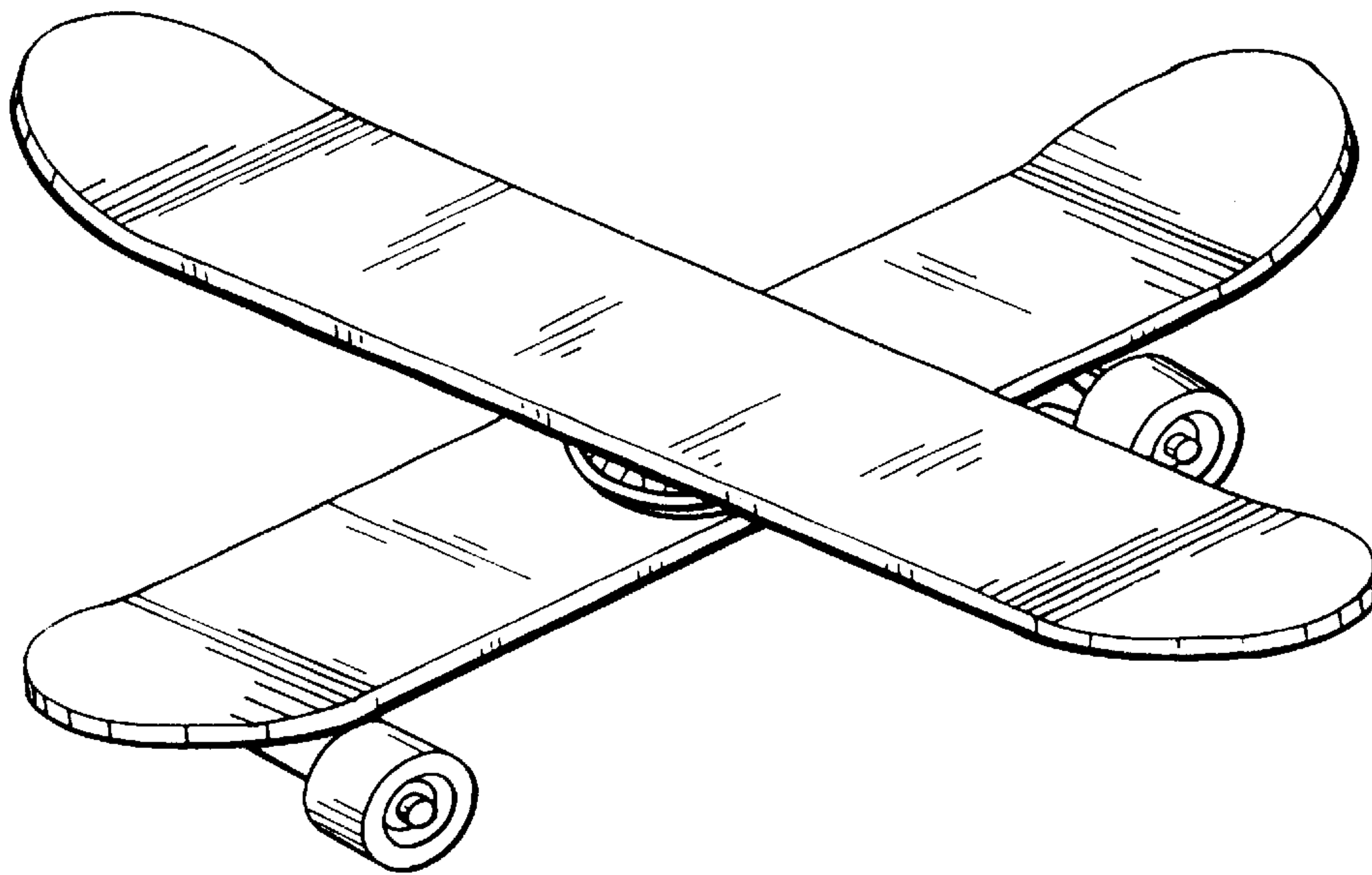


FIG. 1

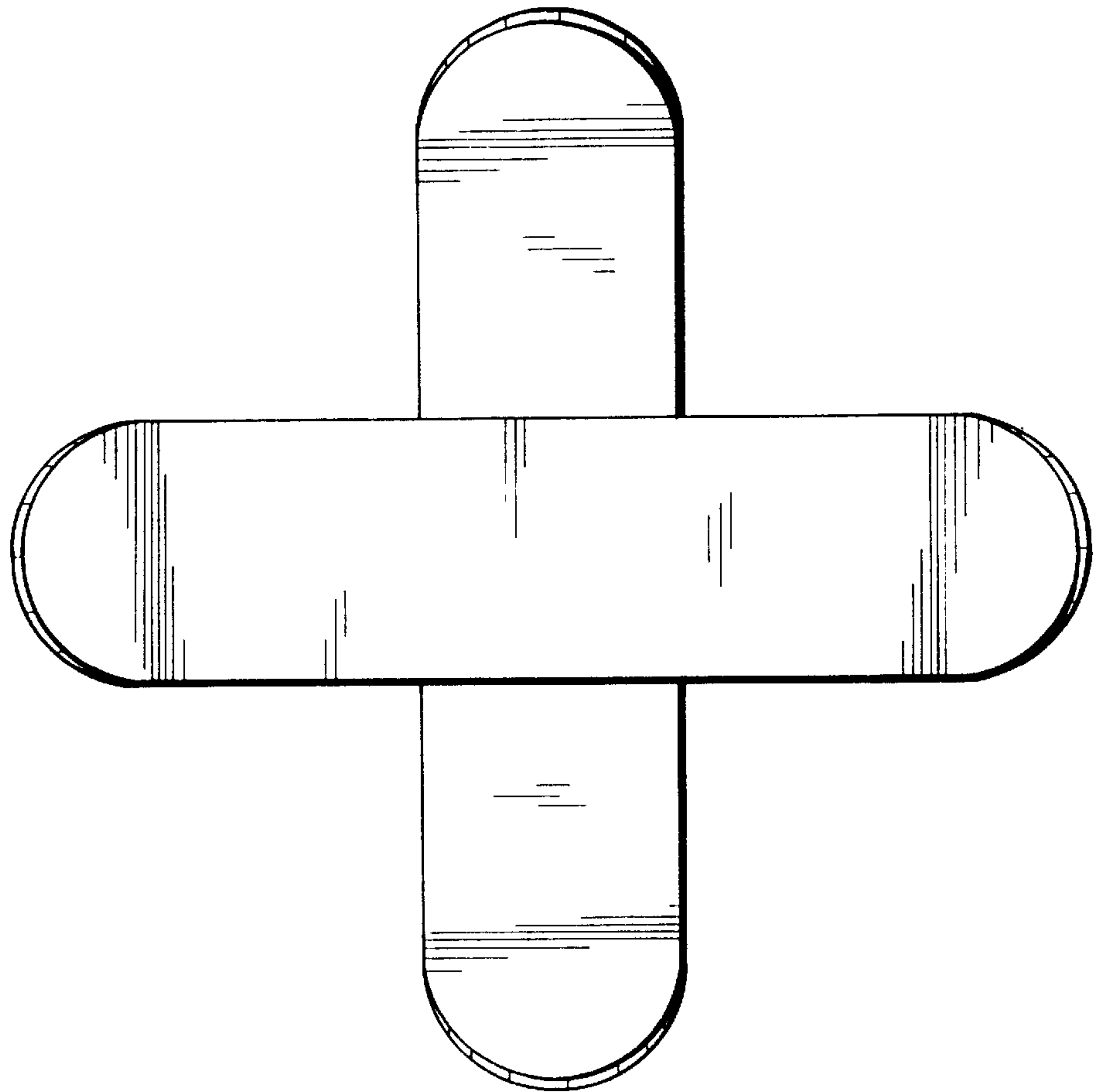


FIG. 2

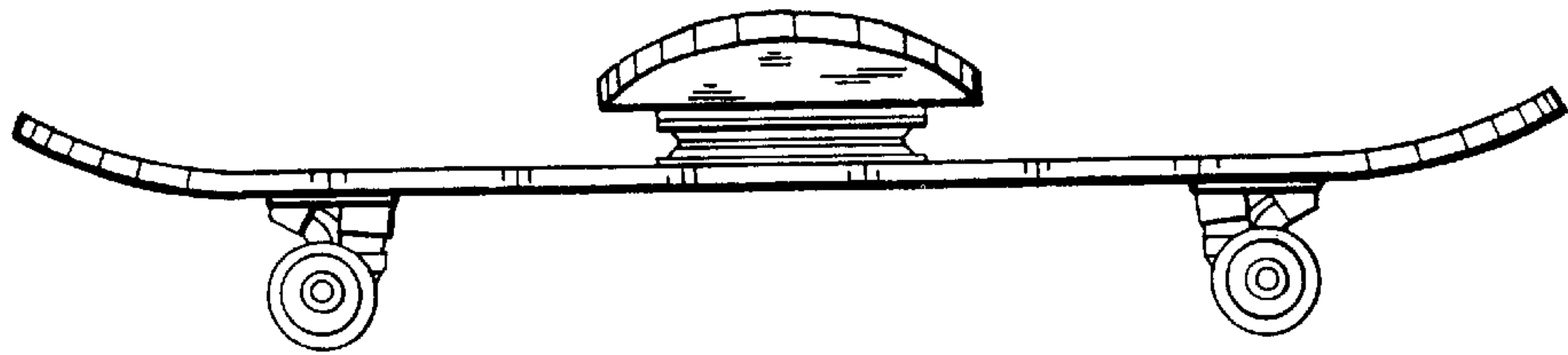


FIG. 3

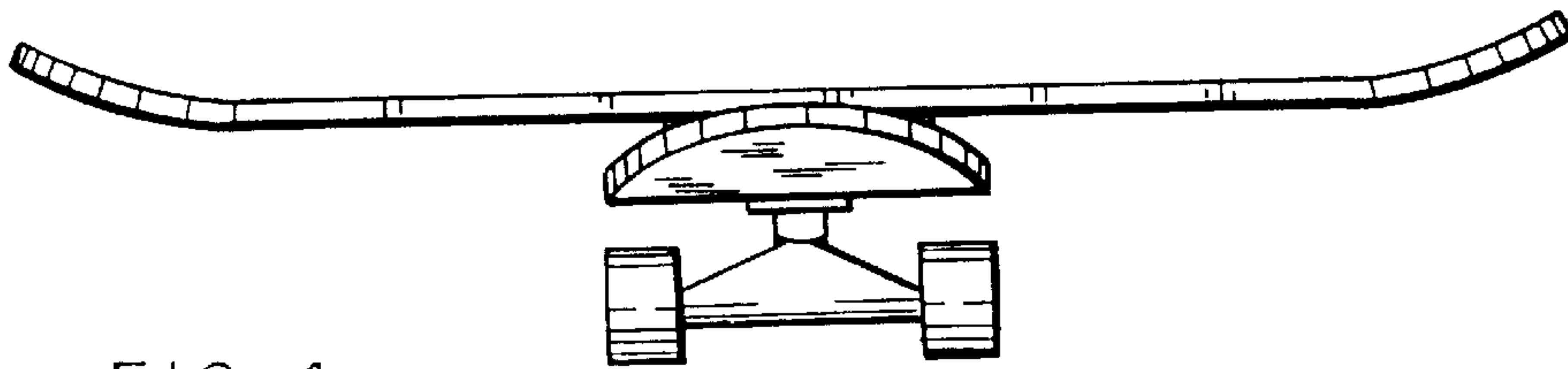


FIG. 4

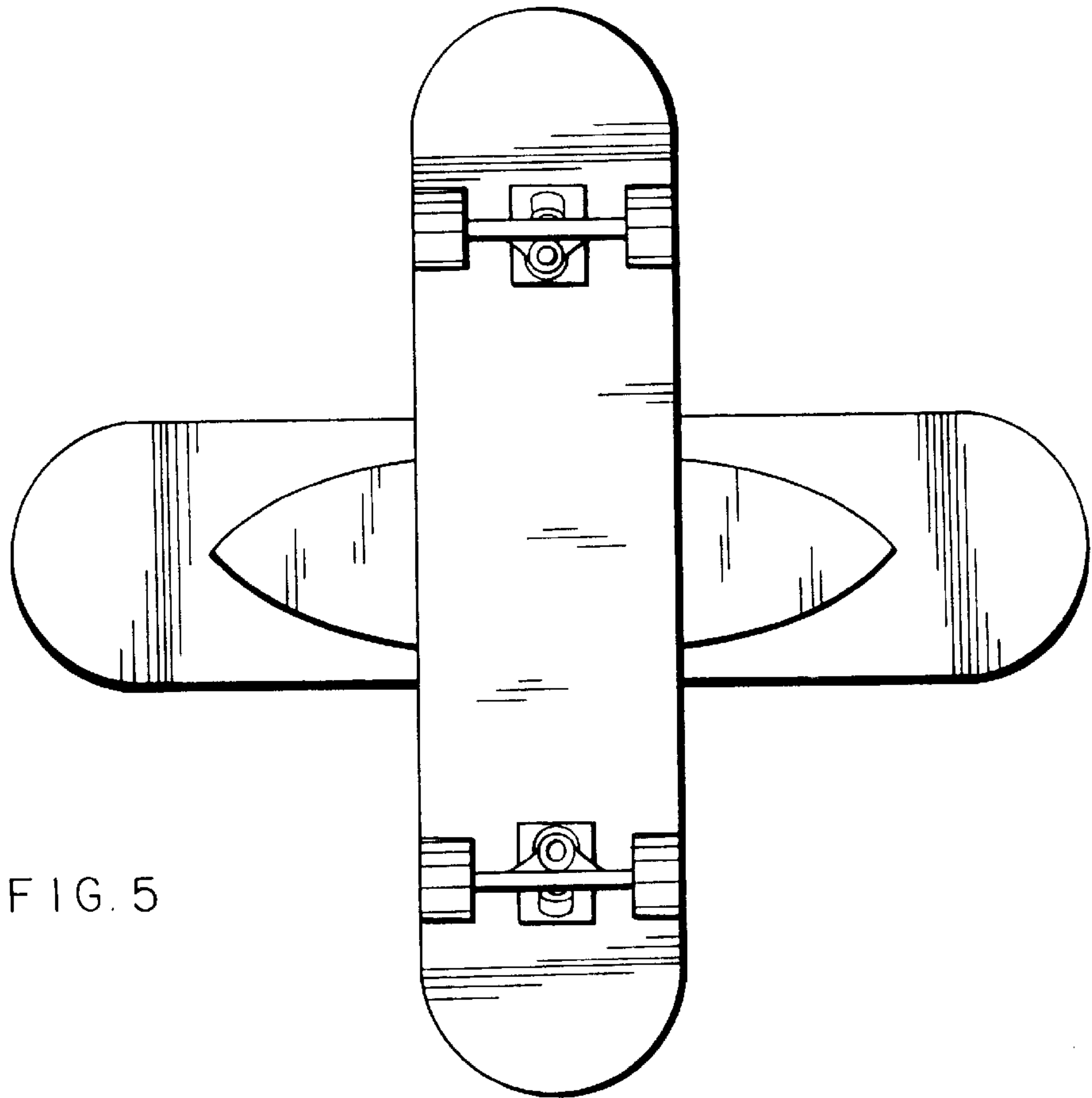


FIG. 5