



US00D430633S

United States Patent [19]
Billings

[11] **Patent Number: Des. 430,633**

[45] **Date of Patent: ** Sep. 5, 2000**

[54] **PUTTER HEAD**

[76] **Inventor: David P. Billings, 5007 N. Briar Ridge Cir., McKinney, Tex. 75070**

[**] **Term: 14 Years**

[21] **Appl. No.: 29/117,627**

[22] **Filed: Jan. 28, 2000**

[51] **LOC (7) Cl. 21-02**

[52] **U.S. Cl. D21/746; D21/743**

[58] **Field of Search D21/736-746; 473/324, 327-331, 340, 341, 251-256**

[56] **References Cited**

U.S. PATENT DOCUMENTS

- D. 378,113 2/1997 Rollinson et al. D21/736
- D. 385,933 11/1997 Rollinson et al. D21/746
- D. 388,851 1/1998 Rollinson et al. D21/746
- D. 401,651 11/1998 Cleveland et al. D21/736

- D. 402,722 12/1998 Rollinson D21/742
- D. 407,445 3/1999 Rollinson et al. D21/743
- D. 414,830 10/1999 Cleveland et al. D21/736

Primary Examiner—Mitchell Siegel
Attorney, Agent, or Firm—David H. Judson

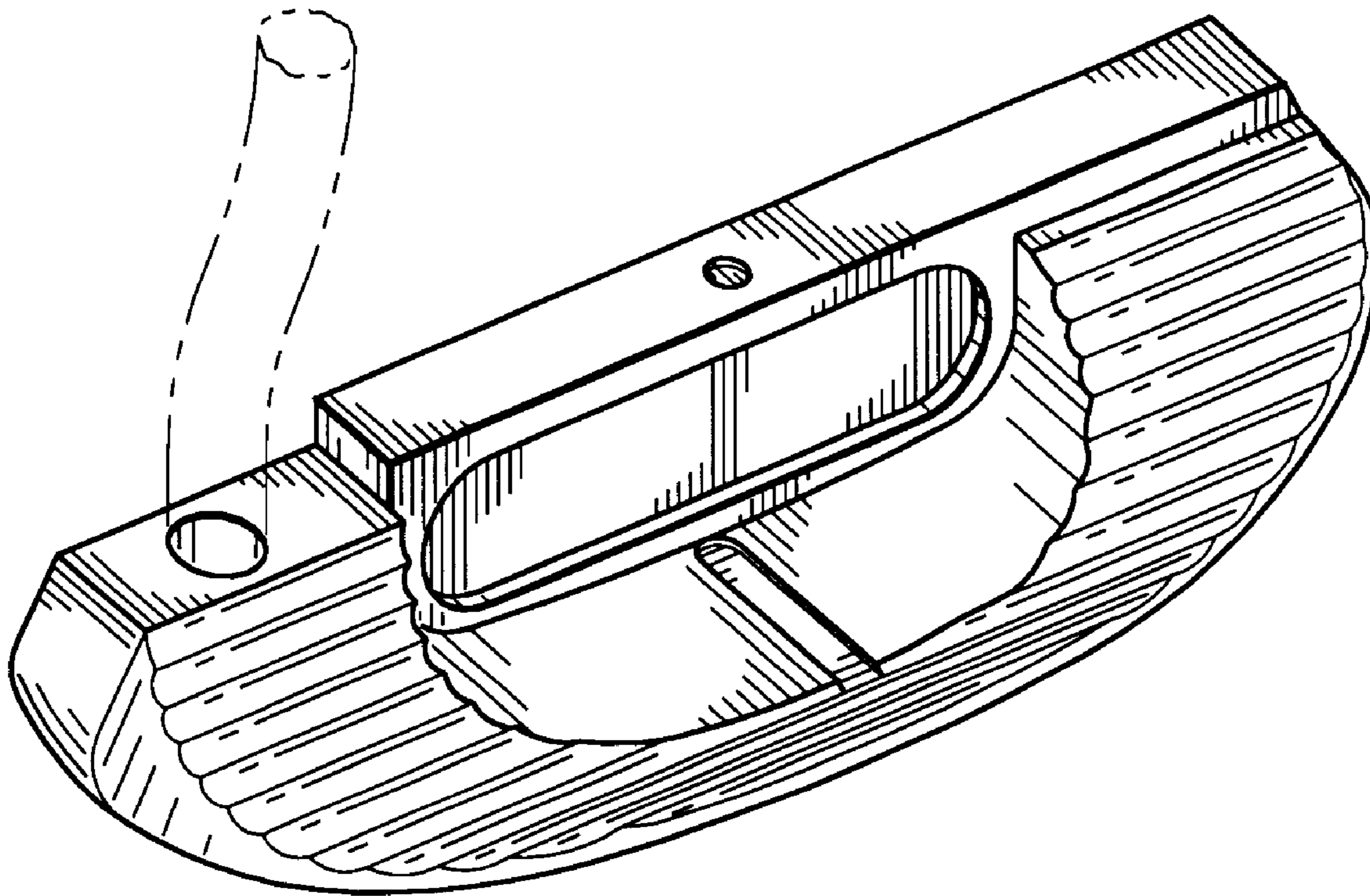
[57] **CLAIM**

The ornamental design for a putter head, as shown and described.

DESCRIPTION

FIG. 1 is a perspective view of the putter head; FIG. 2 is a front elevation view of the putter face; FIG. 3 is a back view of the putter head; FIG. 4 is a side elevation view of the putter head; FIG. 5 is a front view of the putter head; FIG. 6 is a plan view of the putter head; and, FIG. 7 is a bottom view of the putter head.

1 Claim, 2 Drawing Sheets



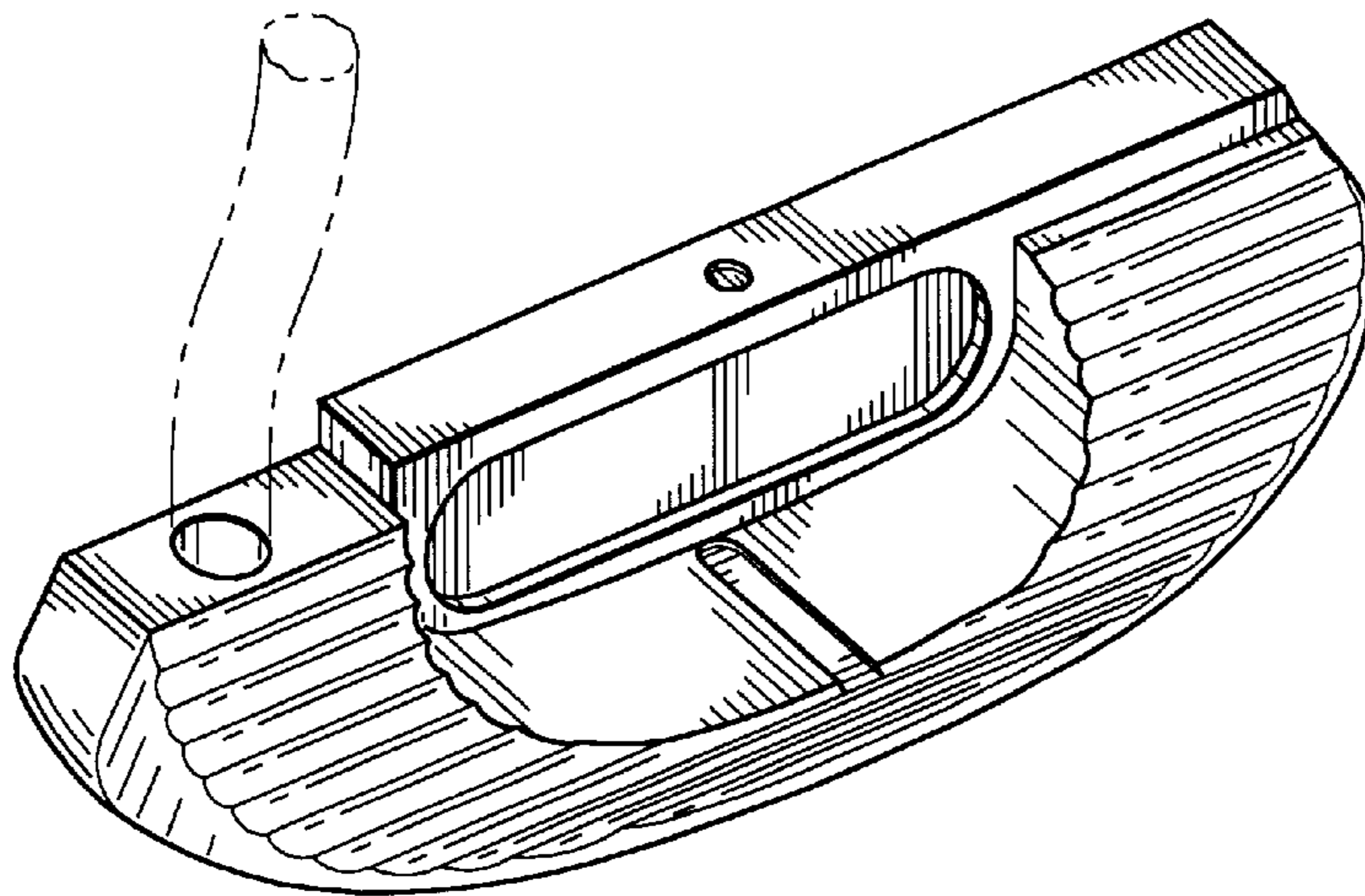


FIG. 1

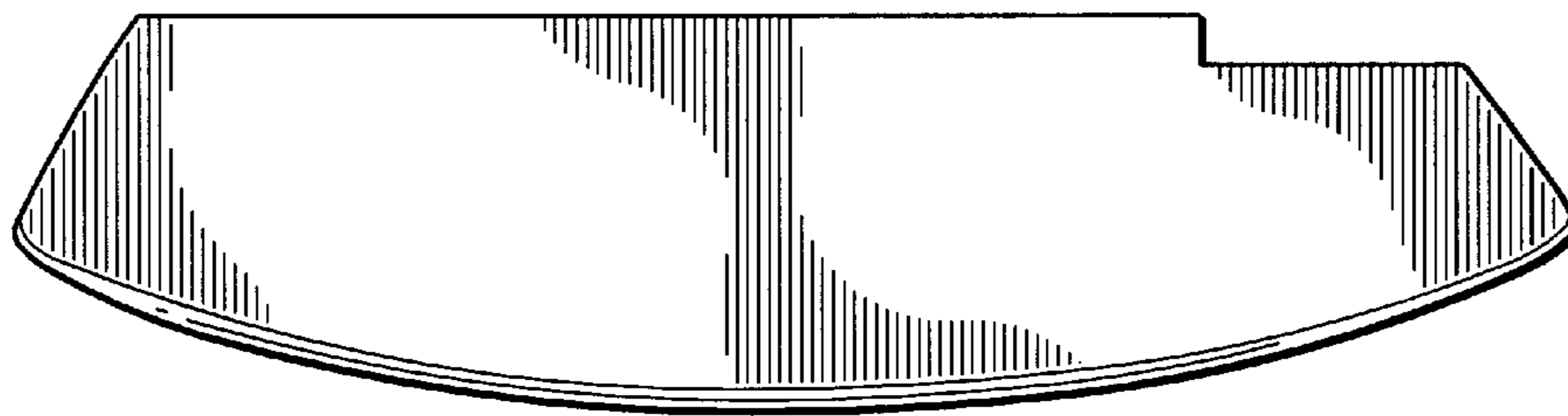


FIG. 2

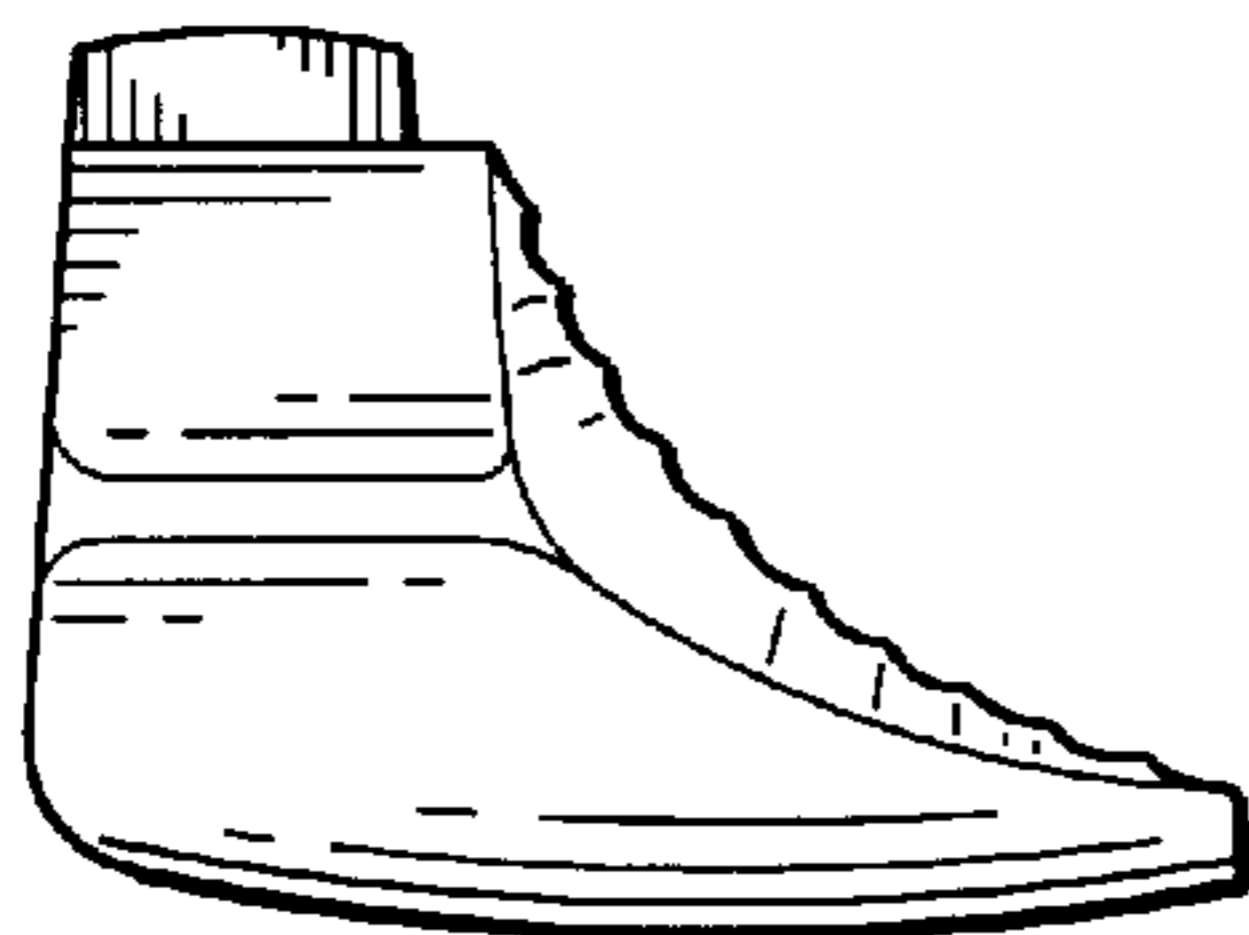


FIG. 3

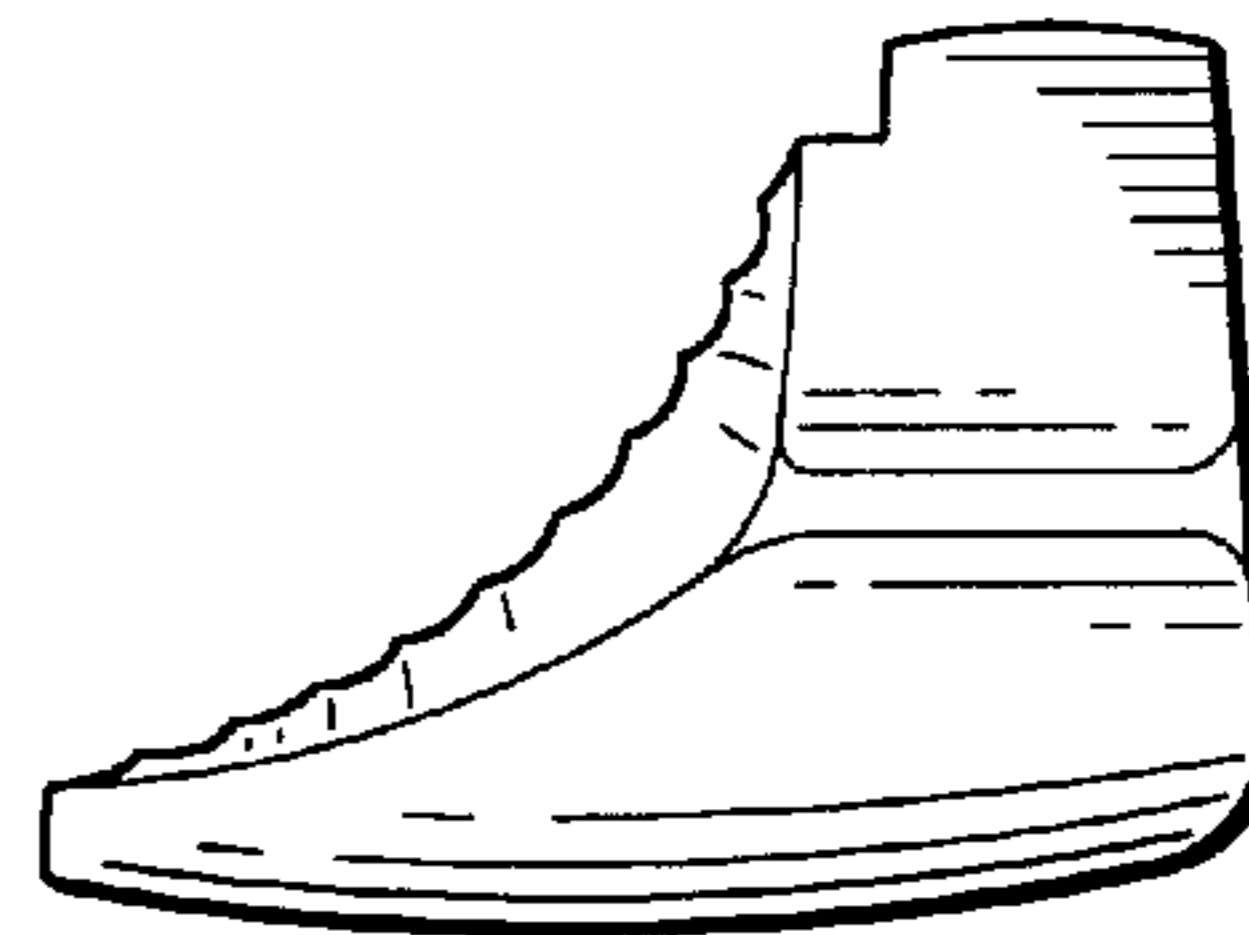


FIG. 5

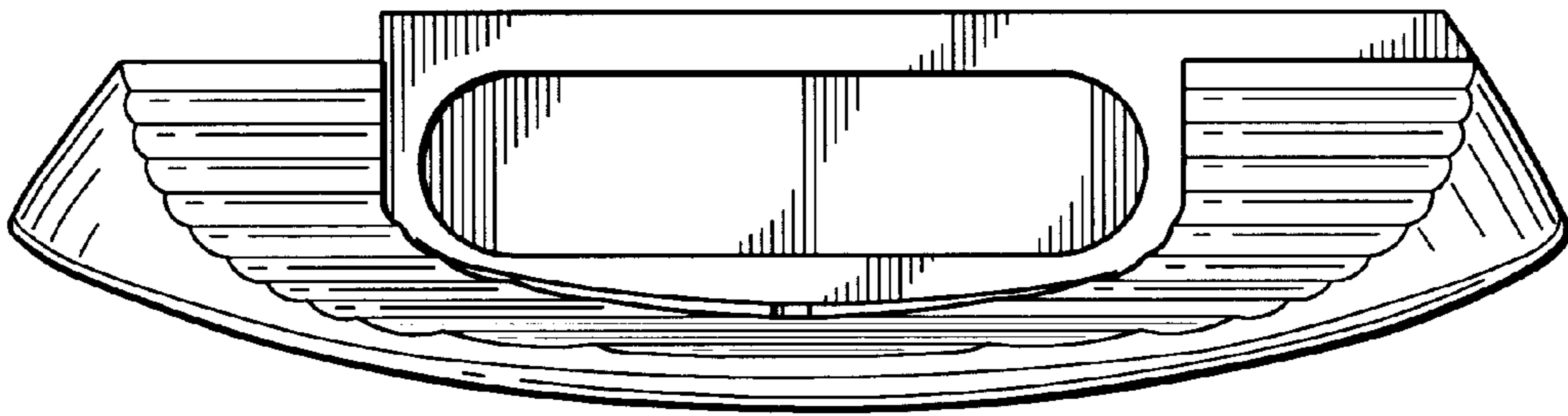


FIG. 4

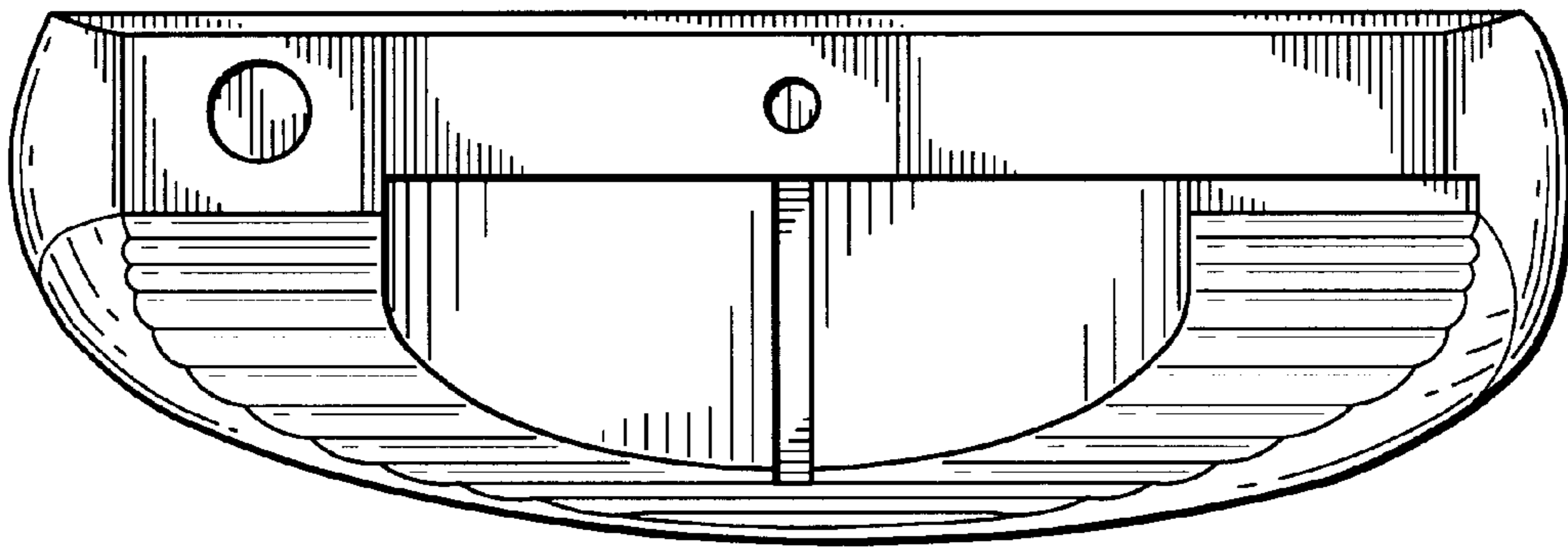


FIG. 6

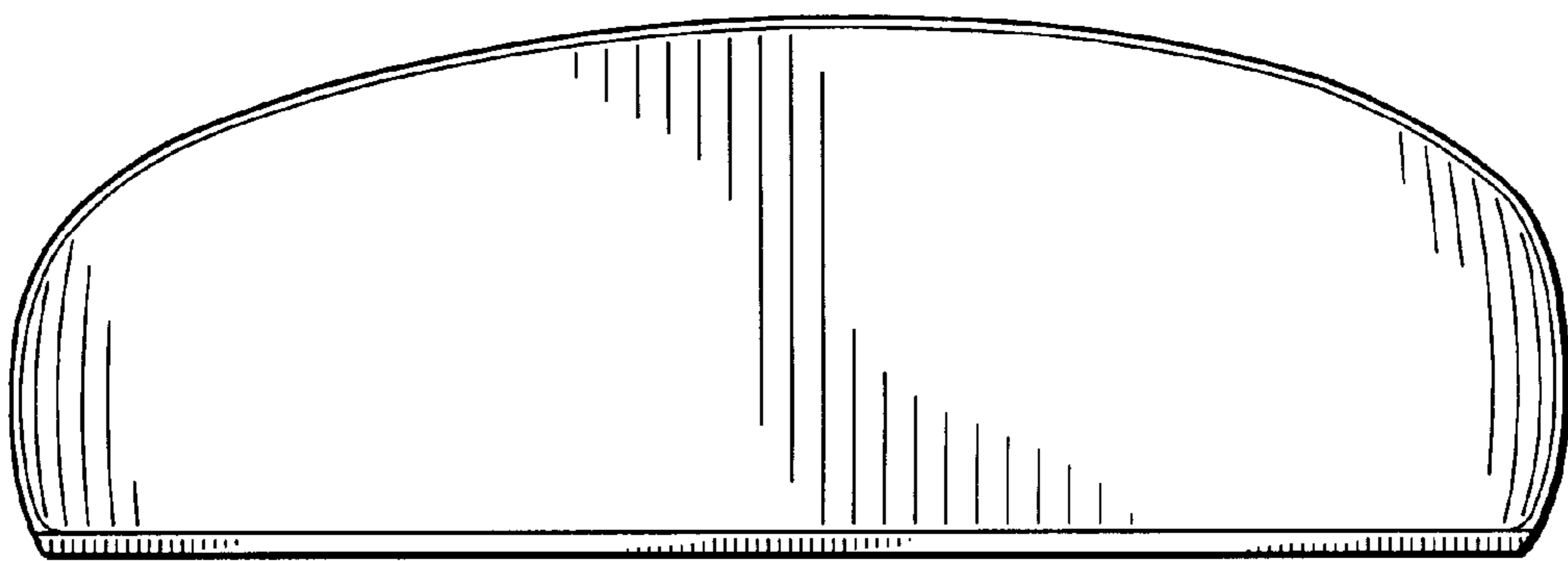


FIG. 7