

US00D430632S

# United States Patent [19]

Guerin et al.

[11] Patent Number: Des. 430,632

[45] Date of Patent: \*\* Sep. 5, 2000

[54] GOLF PUTTER

5,785,608 7/1998 Collins ..... 473/340

[76] Inventors: **Wayne James Guerin; Linda Lee Arledge**, both of 3762 Centre St., San Diego, Calif. 92103

*Primary Examiner*—Mitchell Siegel  
*Attorney, Agent, or Firm*—Frank D. Gilliam

[\*\*] Term: **14 Years**

[57] **CLAIM**

The ornamental design for a golf putter, as shown and described.

[21] Appl. No.: **29/115,335**

[22] Filed: **Dec. 13, 1999**

[51] **LOC (7) Cl.** ..... **21-02**

[52] **U.S. Cl.** ..... **D21/744**

[58] **Field of Search** ..... D21/736-746,  
D21/756, 757; 473/316-322, 324, 327-331,  
340, 341, 251-256

**DESCRIPTION**

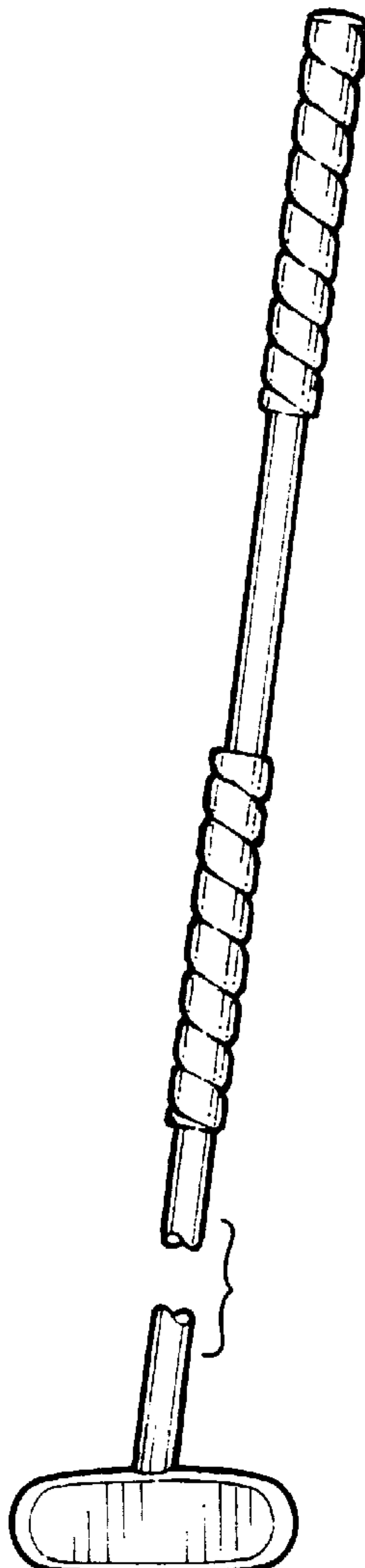
FIG. 1 is a front elevational view of the golf putter, the broken away section of the shaft is due to its indeterminate length;  
FIG. 2 is an enlarged top plan view of the putter head;  
FIG. 3 is a front elevational view of FIG. 2, the shaft shown fragmented for ease of illustration;  
FIG. 4 is a bottom plan view of FIG. 2; and,  
FIG. 5 is a right side view of FIG. 2, the undisclosed opposite side being a mirror image, the shaft shown fragmented for ease of illustration.

[56] **References Cited**

**U.S. PATENT DOCUMENTS**

- D. 239,401 3/1976 Kindred ..... D21/736
- D. 401,991 12/1998 Collins ..... D21/744

**1 Claim, 1 Drawing Sheet**



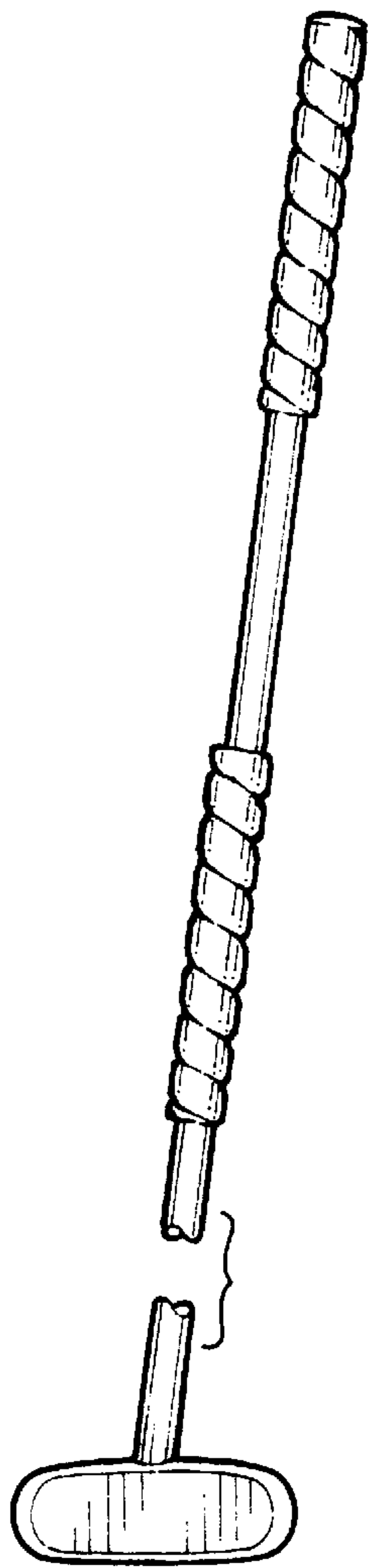


FIGURE 1

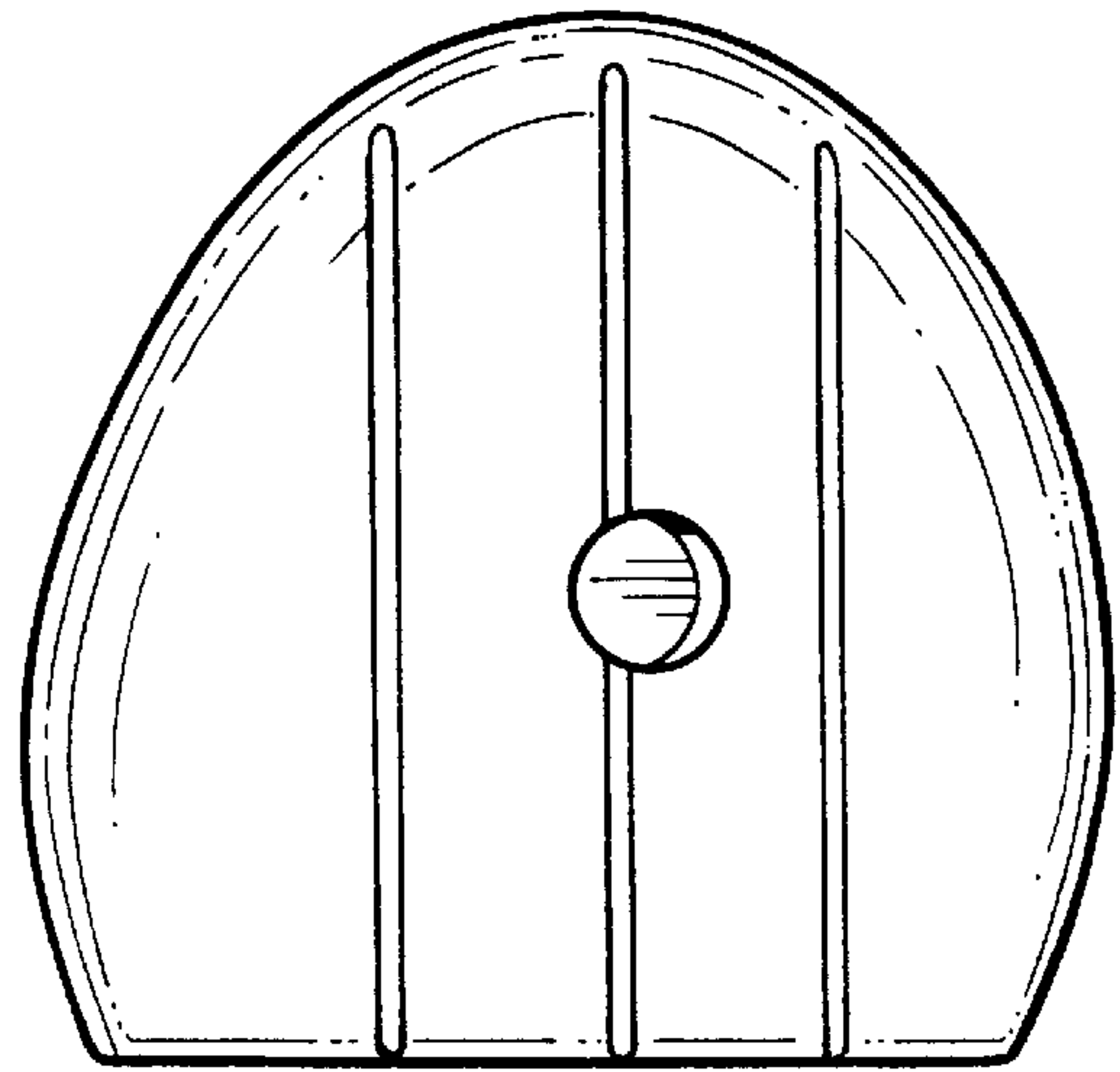


FIGURE 2

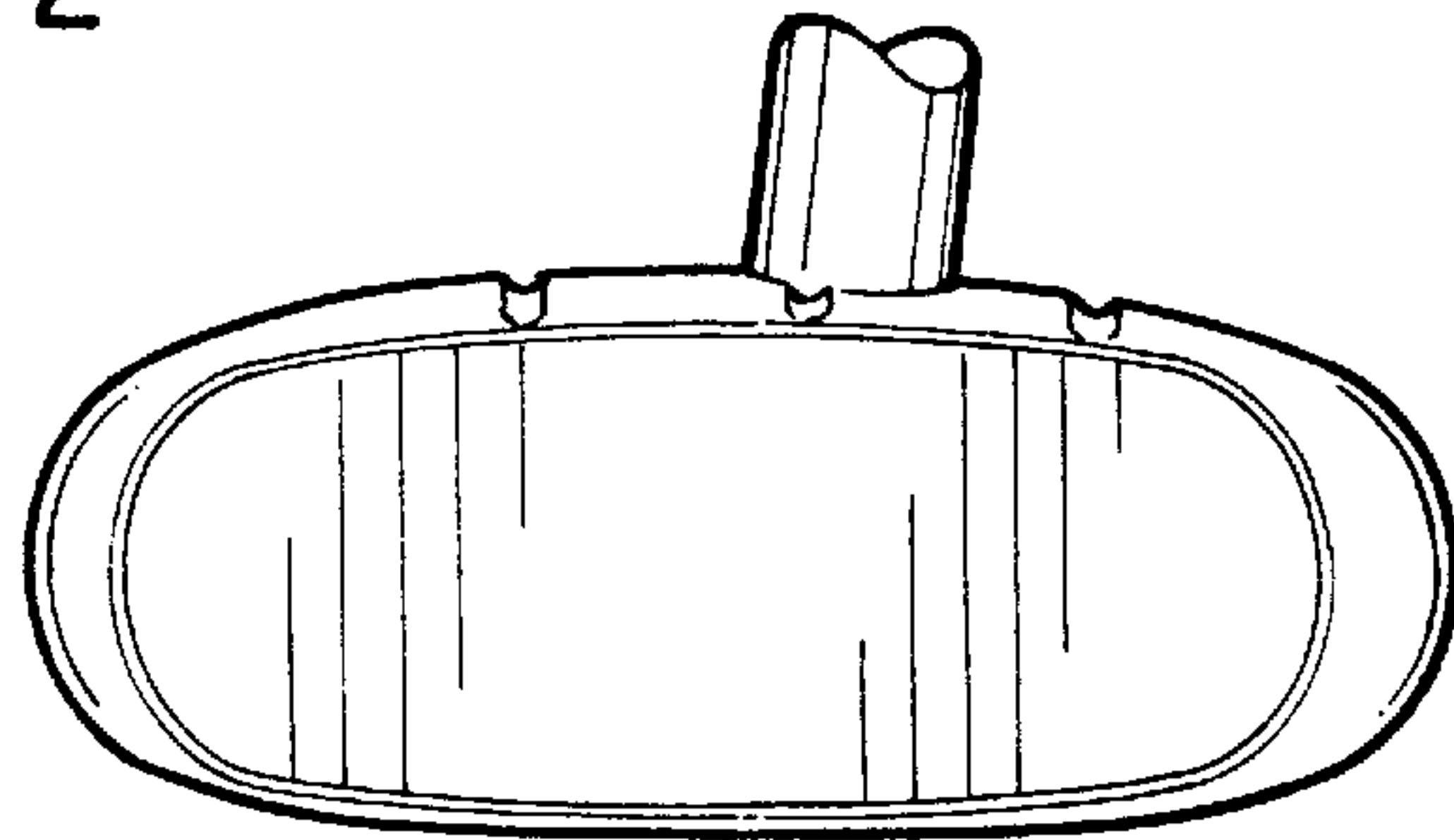


FIGURE 3

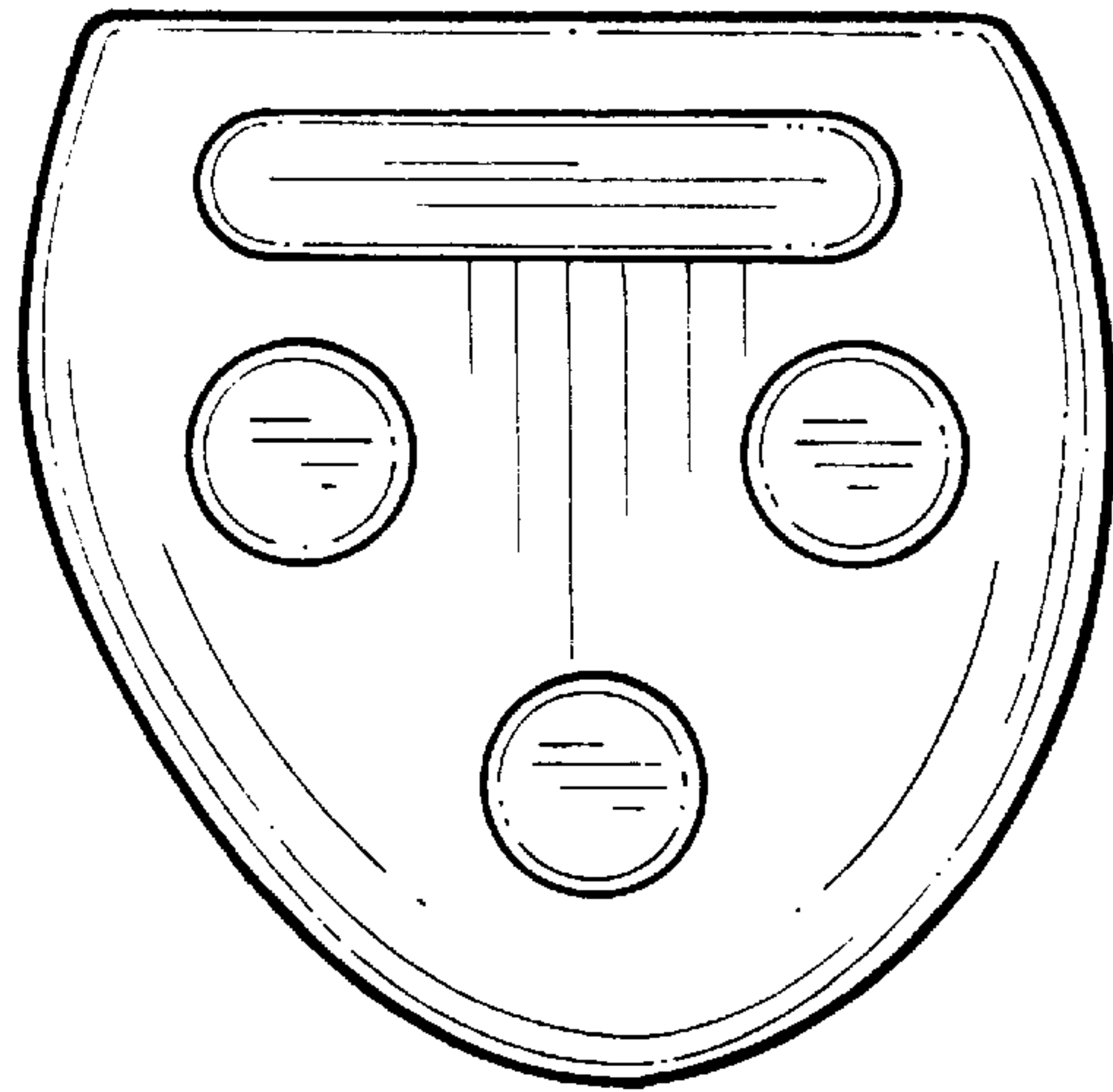


FIGURE 4

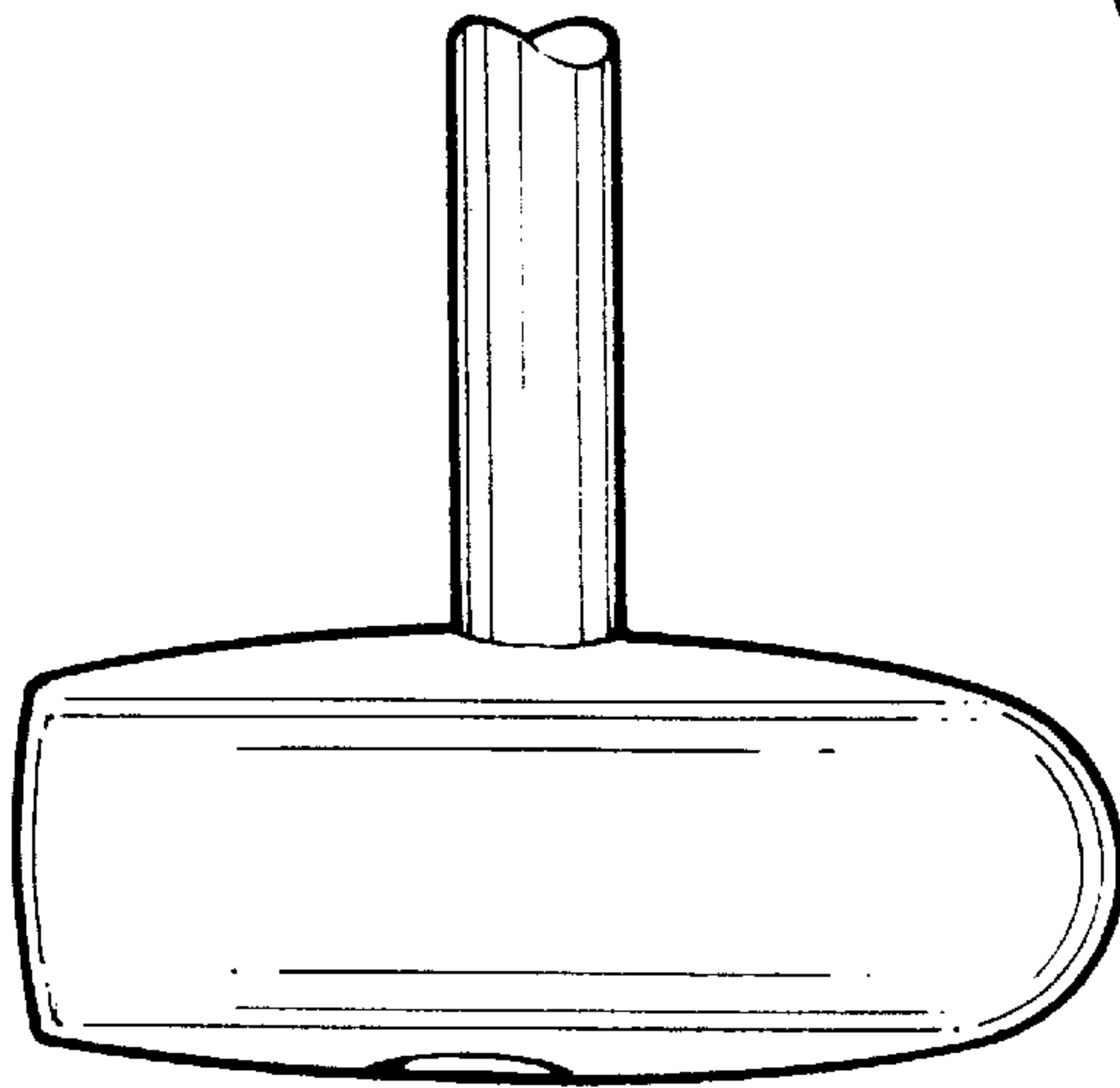


FIGURE 5