



US00D430629S

United States Patent [19]
Alberti

[11] **Patent Number: Des. 430,629**

[45] **Date of Patent: ** Sep. 5, 2000**

[54] **ROTATING BATTING TEE**

[75] Inventor: **Michael A. Alberti**, Endicott, N.Y.

[73] Assignee: **Impact Sports, Inc.**, Johnson City, N.Y.

[**] Term: **14 Years**

[21] Appl. No.: **29/107,660**

[22] Filed: **Jul. 8, 1999**

[51] **LOC (7) Cl.** **21-02**

[52] **U.S. Cl.** **D21/719**

[58] **Field of Search** D21/715, 719;
473/417, 423, 429, 422

[56] **References Cited**

U.S. PATENT DOCUMENTS

D. 410,052	5/1999	Davis et al.	D21/715
2,884,250	4/1959	Patterson	473/423
5,556,091	9/1996	Lin	473/417

Primary Examiner—Richelle Shelton

Attorney, Agent, or Firm—Taylor & Aust, P.C.

[57] **CLAIM**

The ornamental design for a rotating batting tee, as shown and described.

DESCRIPTION

FIG. 1 is a perspective view of a rotating batting tee showing my new design, the vertical ball support being rotatably connected to the home plate and rotatable about a vertical axis extending through the connection location;

FIG. 2 is a front view thereof;

FIG. 3 is a rear view thereof;

FIG. 4 is a right-side view thereof;

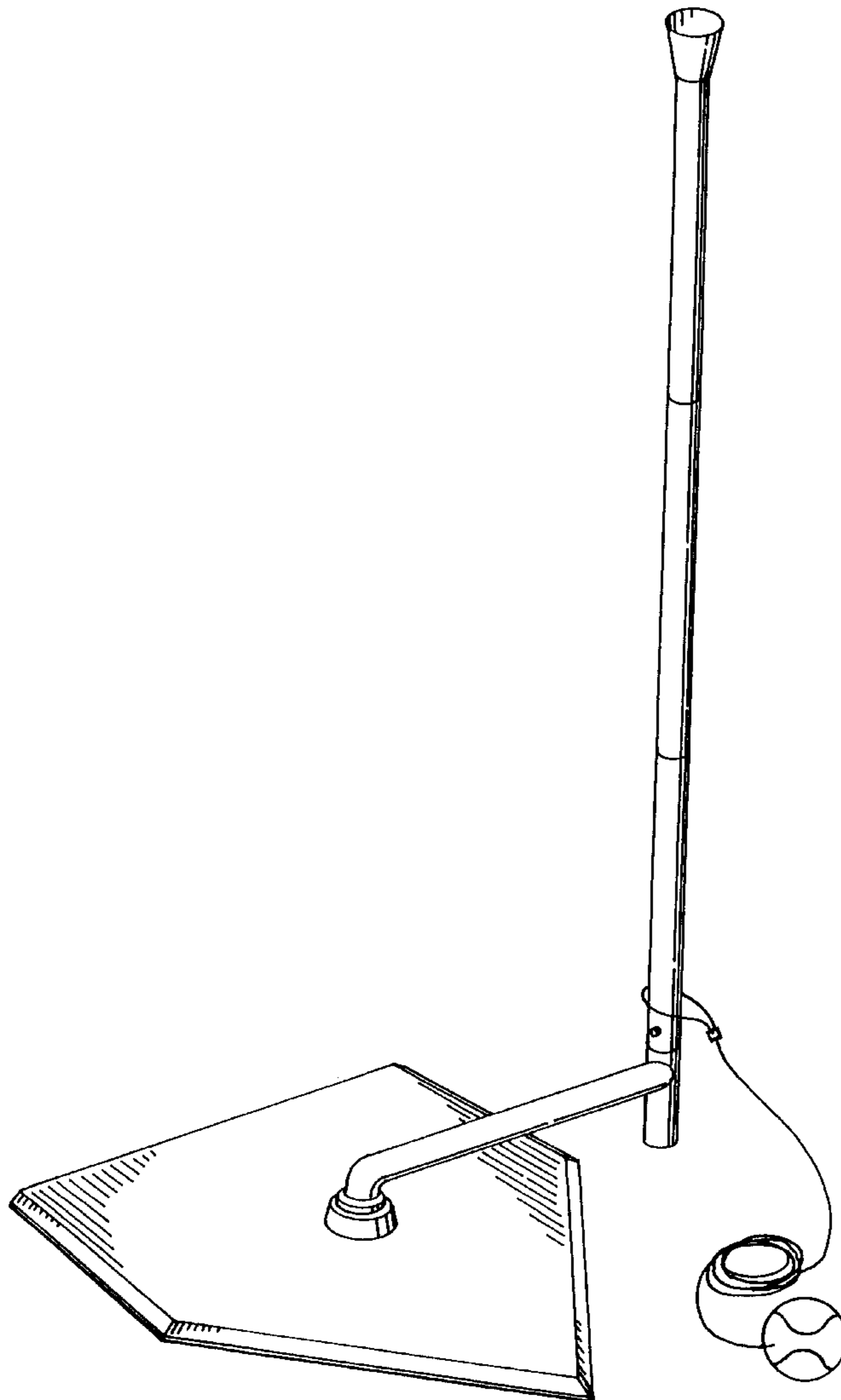
FIG. 5 is a left-side view thereof;

FIG. 6 is a top view thereof; and,

FIG. 7 is a bottom view thereof.

For ease of illustration due to the flexible structure of the tether, the positioning of the tether and ball varies slightly throughout the figures.

1 Claim, 6 Drawing Sheets



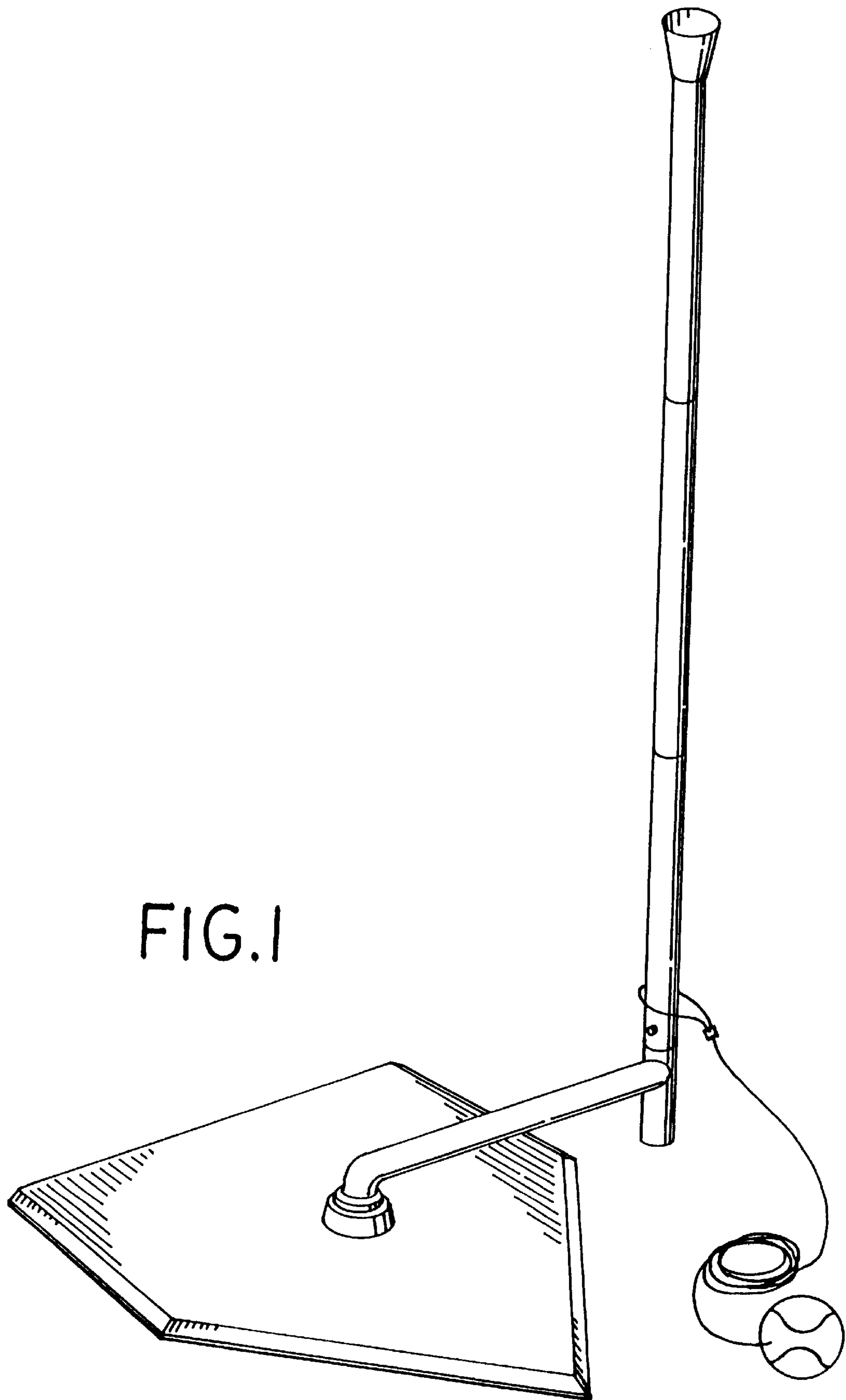


FIG. 1

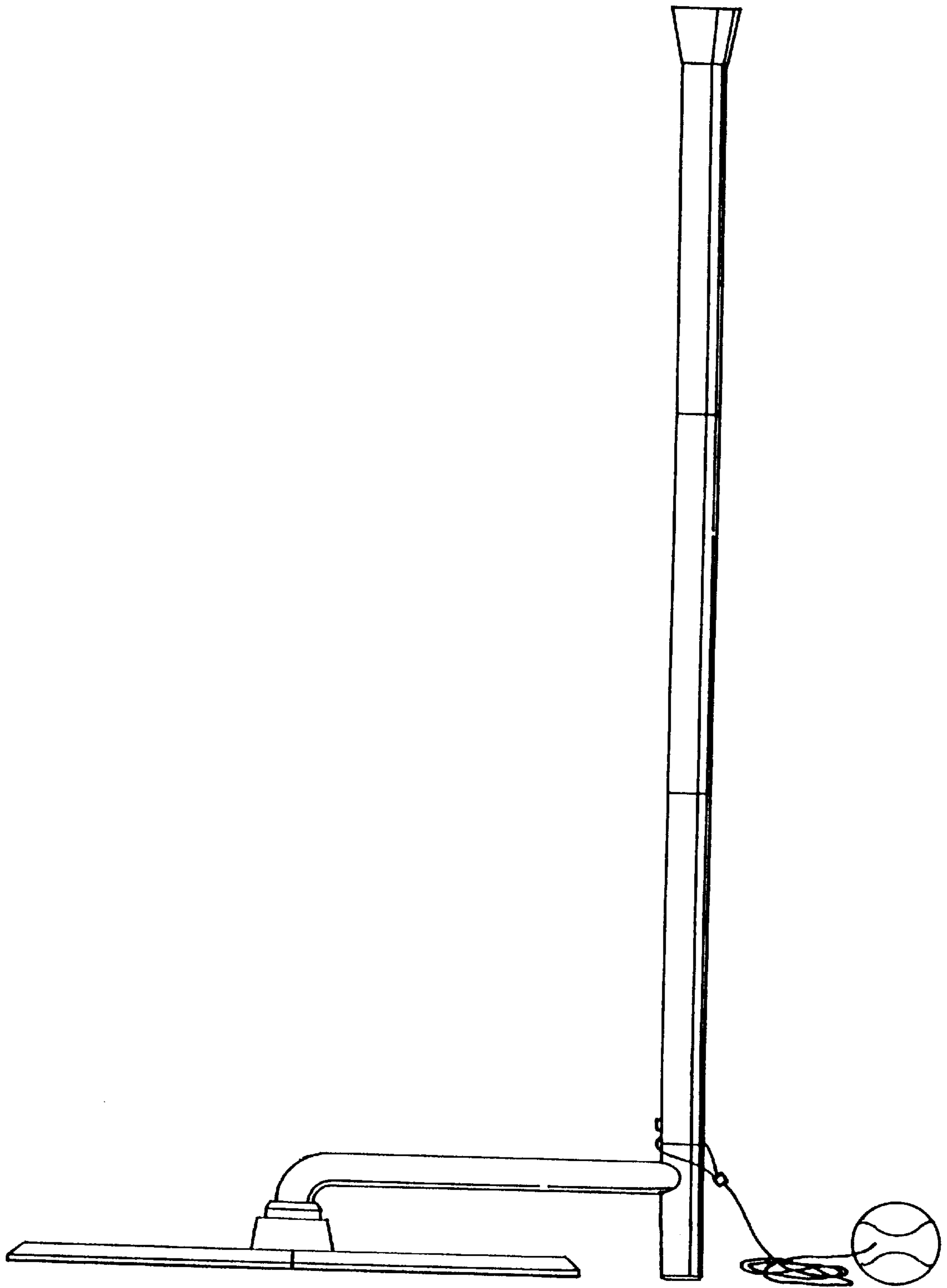


FIG. 2

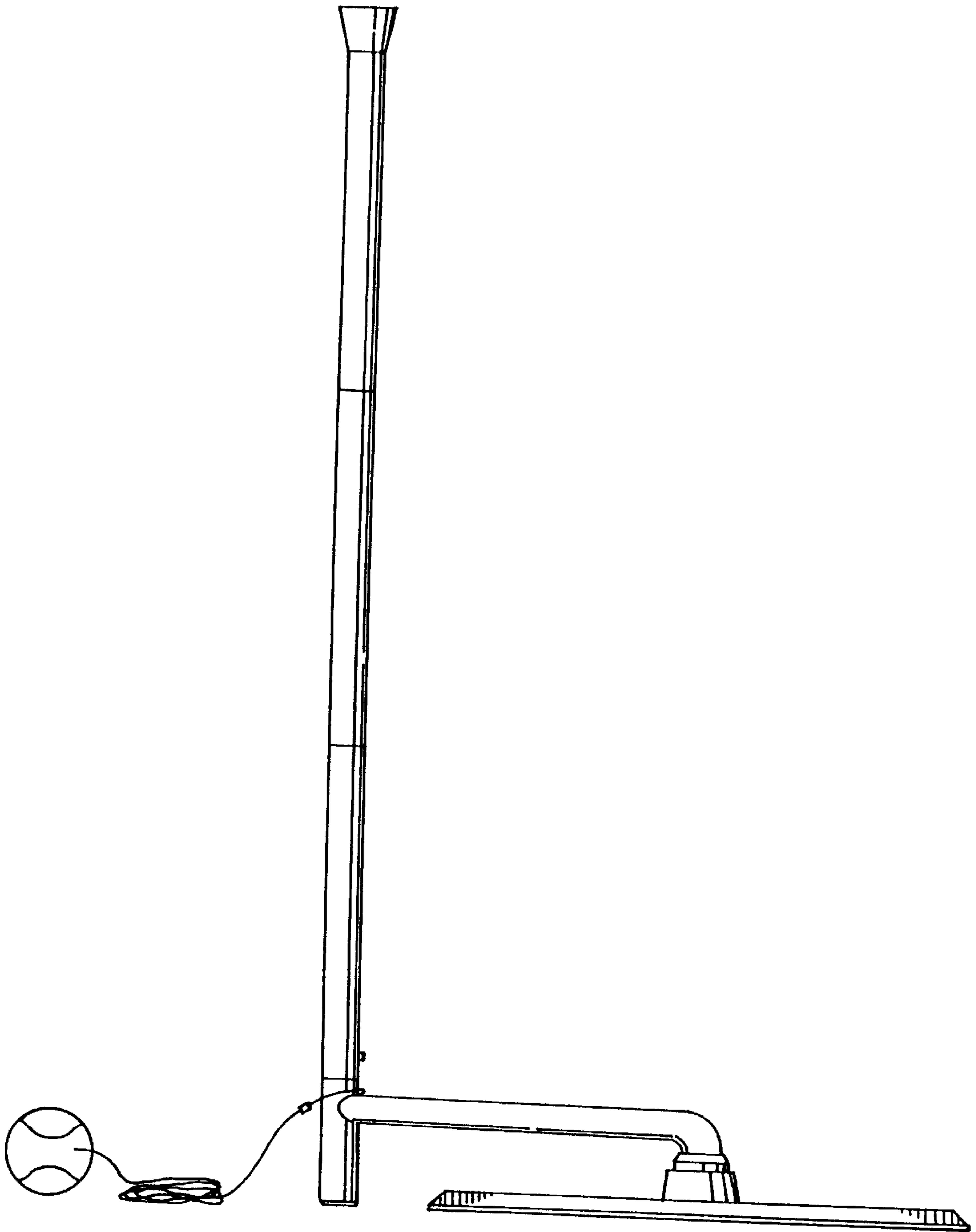


FIG. 3

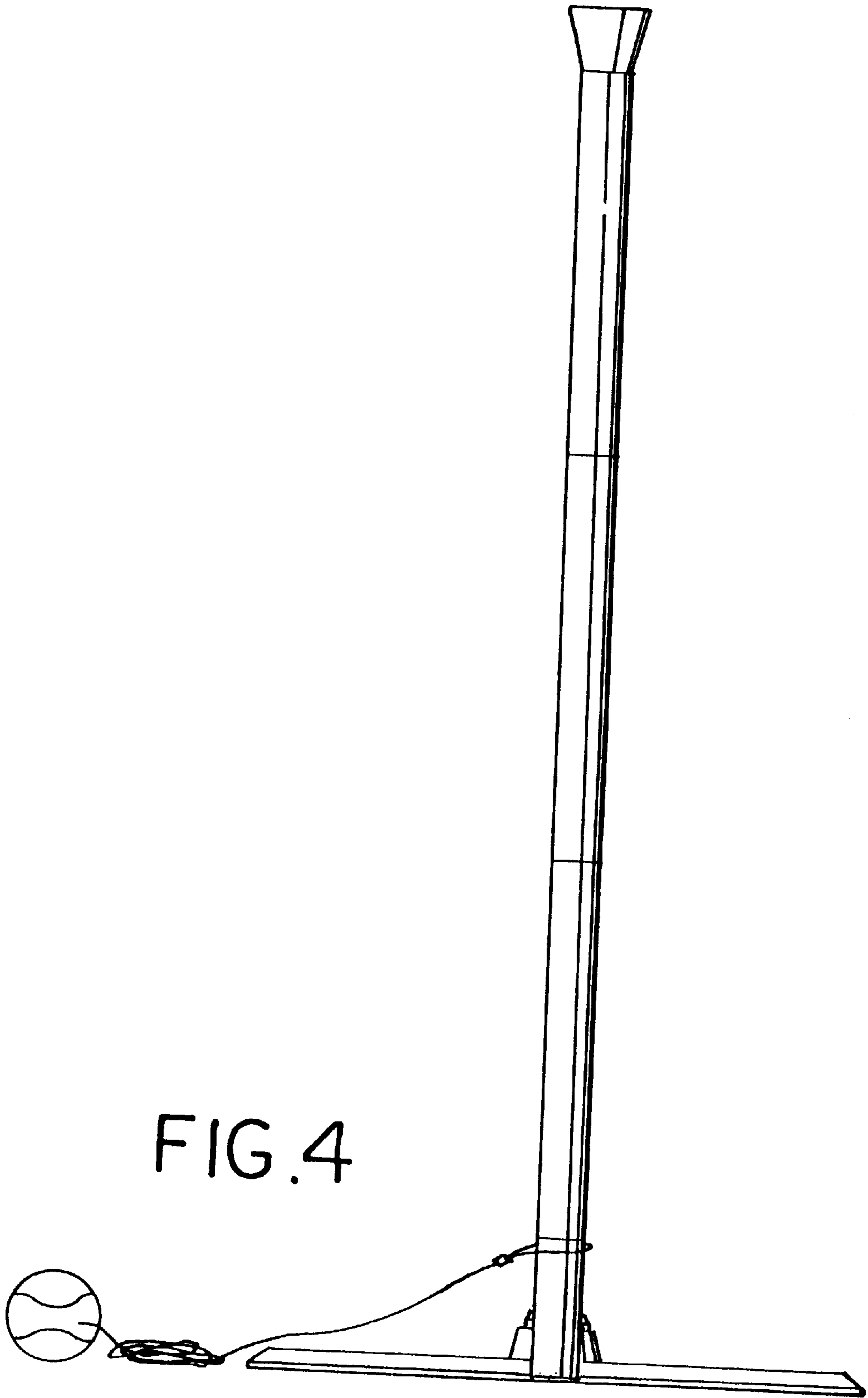
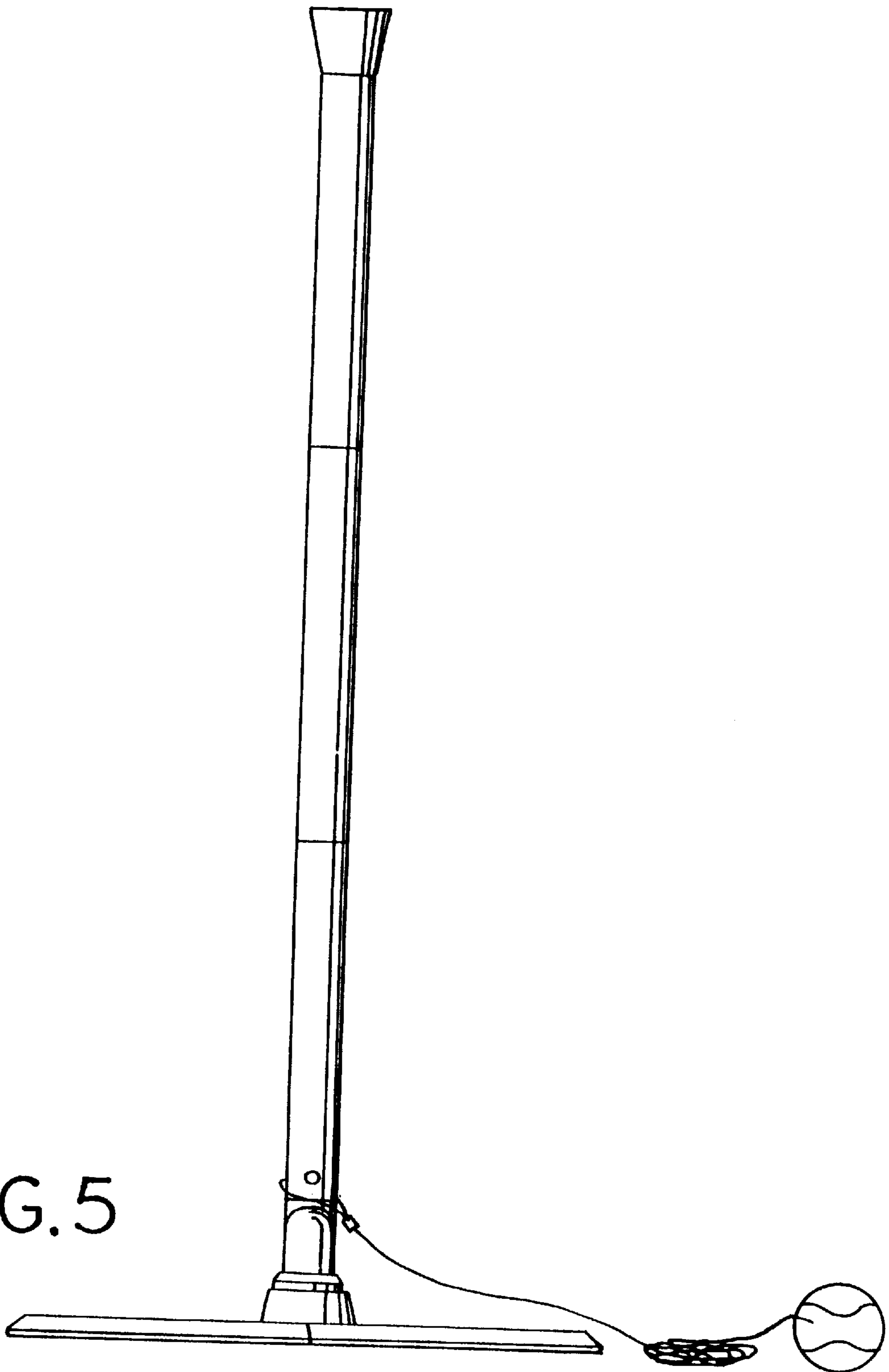


FIG. 4

FIG. 5



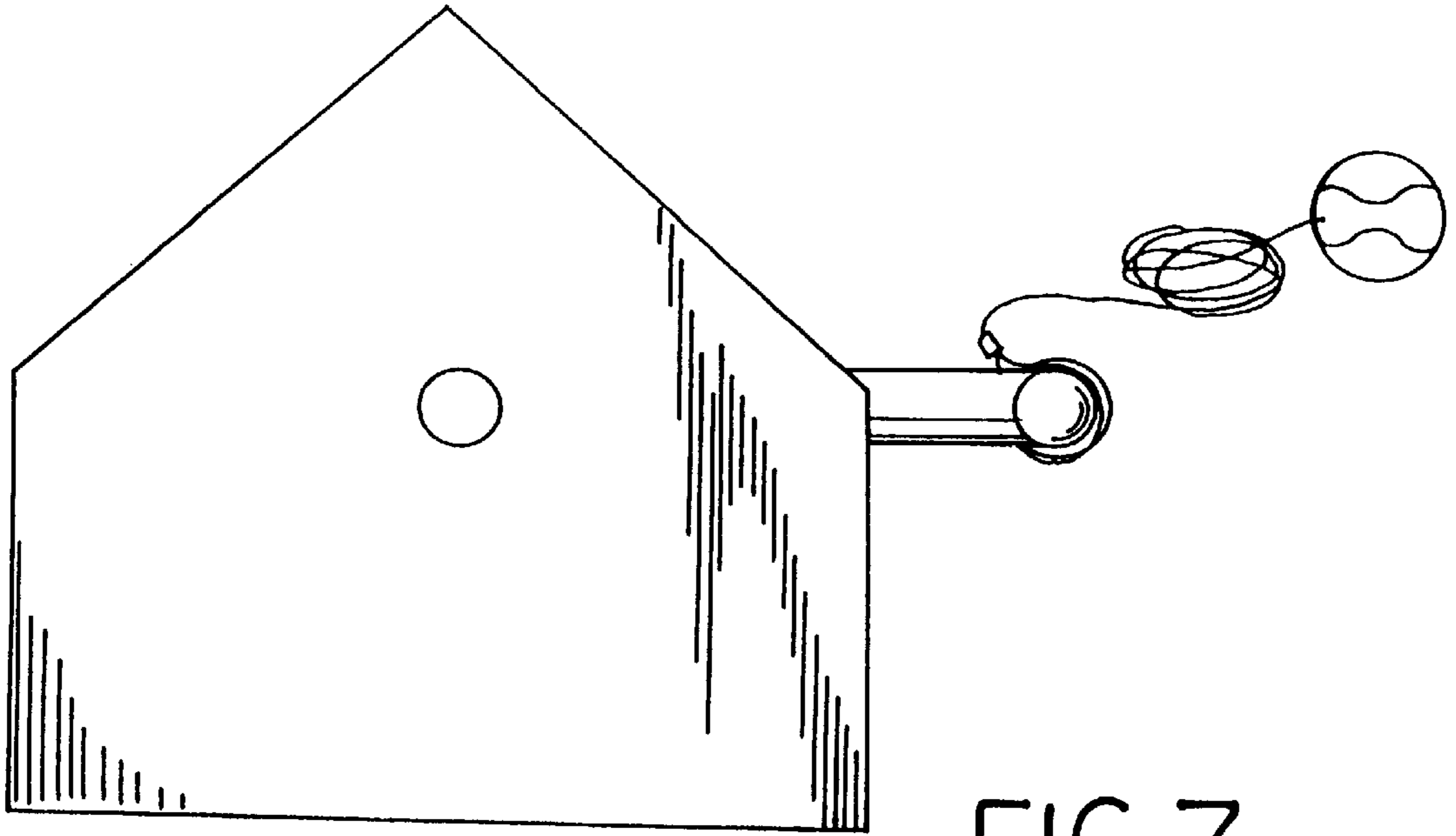


FIG. 7

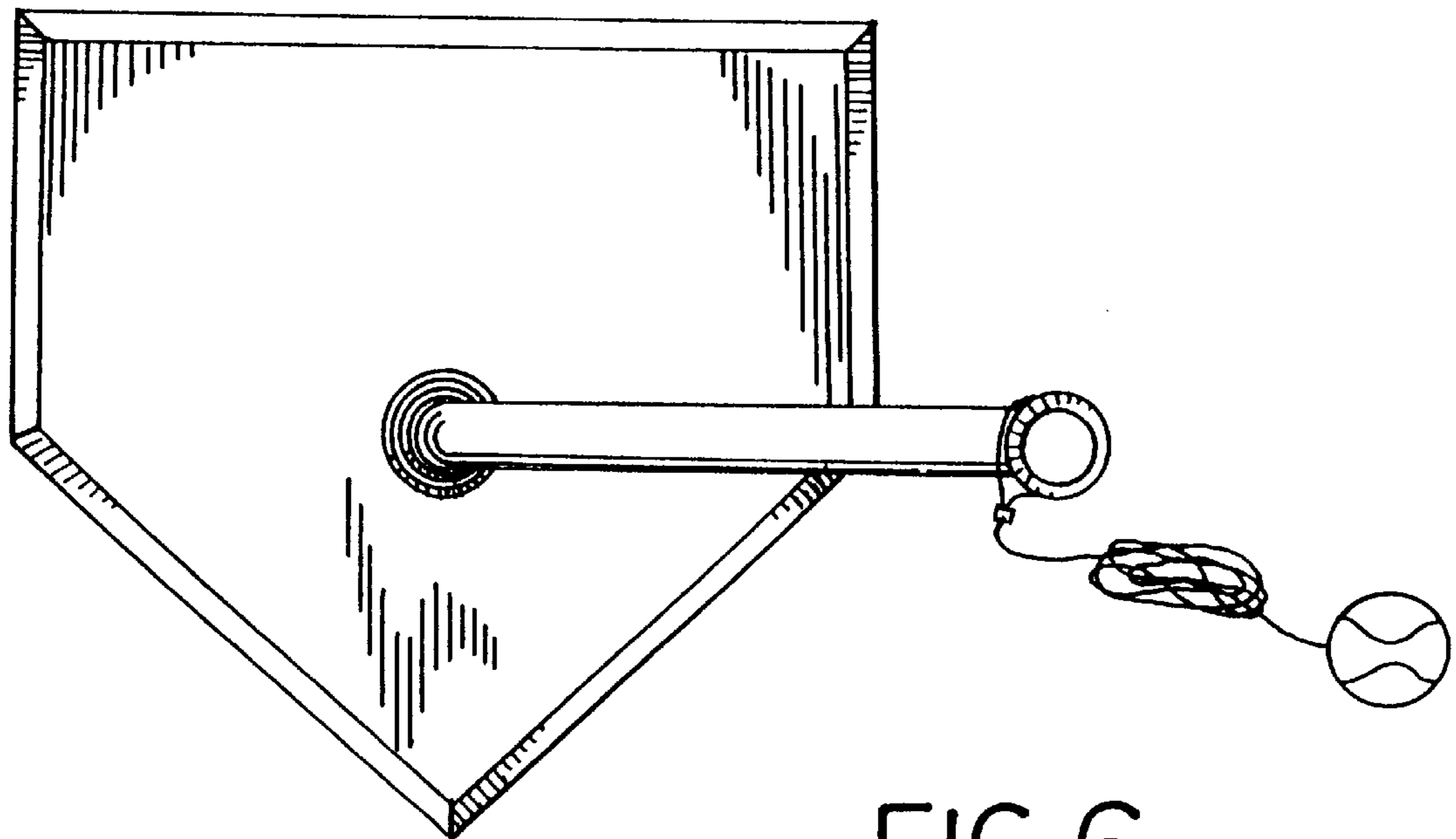


FIG. 6