



US00D430622S

United States Patent [19] Long

[11] **Patent Number: Des. 430,622**

[45] **Date of Patent: ** Sep. 5, 2000**

[54] **MINIATURE WOODEN SWING**

5,505,651 4/1996 Coughlin .

[76] Inventor: **R. W. Long**, Weekend Craftsman, P.O.
Box 183, Aylett, Va. 23009

OTHER PUBLICATIONS

Garden Swing, www.mainpc.com, Oct. 21, 1998.
Classic Doll Furniture and Barbie Size Furniture, www.de-
signsbyrainbow.com, Oct. 21, 1998.

[**] Term: **14 Years**

[21] Appl. No.: **29/096,894**

Primary Examiner—Raphael Barkai
Attorney, Agent, or Firm—Richard C. Litman

[22] Filed: **Nov. 23, 1998**

[51] **LOC (7) Cl.** **21-01**

[52] **U.S. Cl.** **D21/521**

[58] **Field of Search** D21/519–521,
D21/823–825; D6/347, 345; 446/268, 322,
479, 482

[57] CLAIM

The ornamental design for a miniature wooden swing, as shown and described.

[56] References Cited

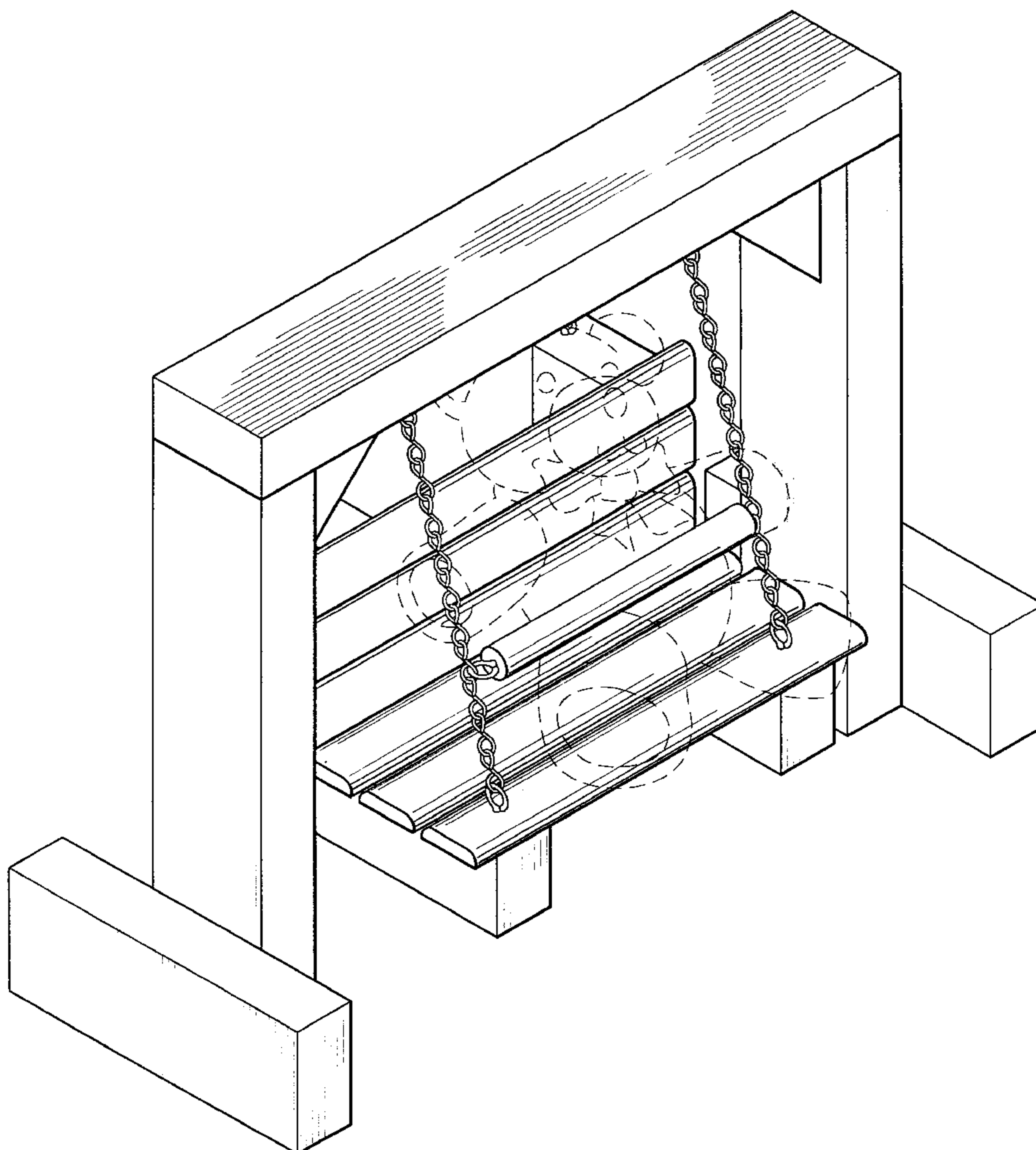
U.S. PATENT DOCUMENTS

D. 49,161	6/1916	Rommer	D21/521
D. 136,786	12/1943	Shumaker	D6/347
D. 157,215	2/1950	Thomas	D21/521
D. 294,375	2/1988	Lowry .		
D. 295,432	4/1988	Baranek .		
D. 360,312	7/1995	Lee	D6/347
D. 366,294	1/1996	Blake .		
D. 381,831	8/1997	Prehart	D6/347
4,271,627	6/1981	Echterling .		

DESCRIPTION

FIG. 1 is an environmental perspective view of a miniature wooden swing showing my new design;
FIG. 2 is a front elevational view thereof;
FIG. 3 is a rear elevational view thereof;
FIG. 4 is a right side elevational view with the left side being a mirror image thereof;
FIG. 5 is a top plan view thereof; and,
FIG. 6 is a bottom plan view thereof.
The broken line showing of the bear is for illustrative purposes only and forms no part of the claimed design.

1 Claim, 6 Drawing Sheets



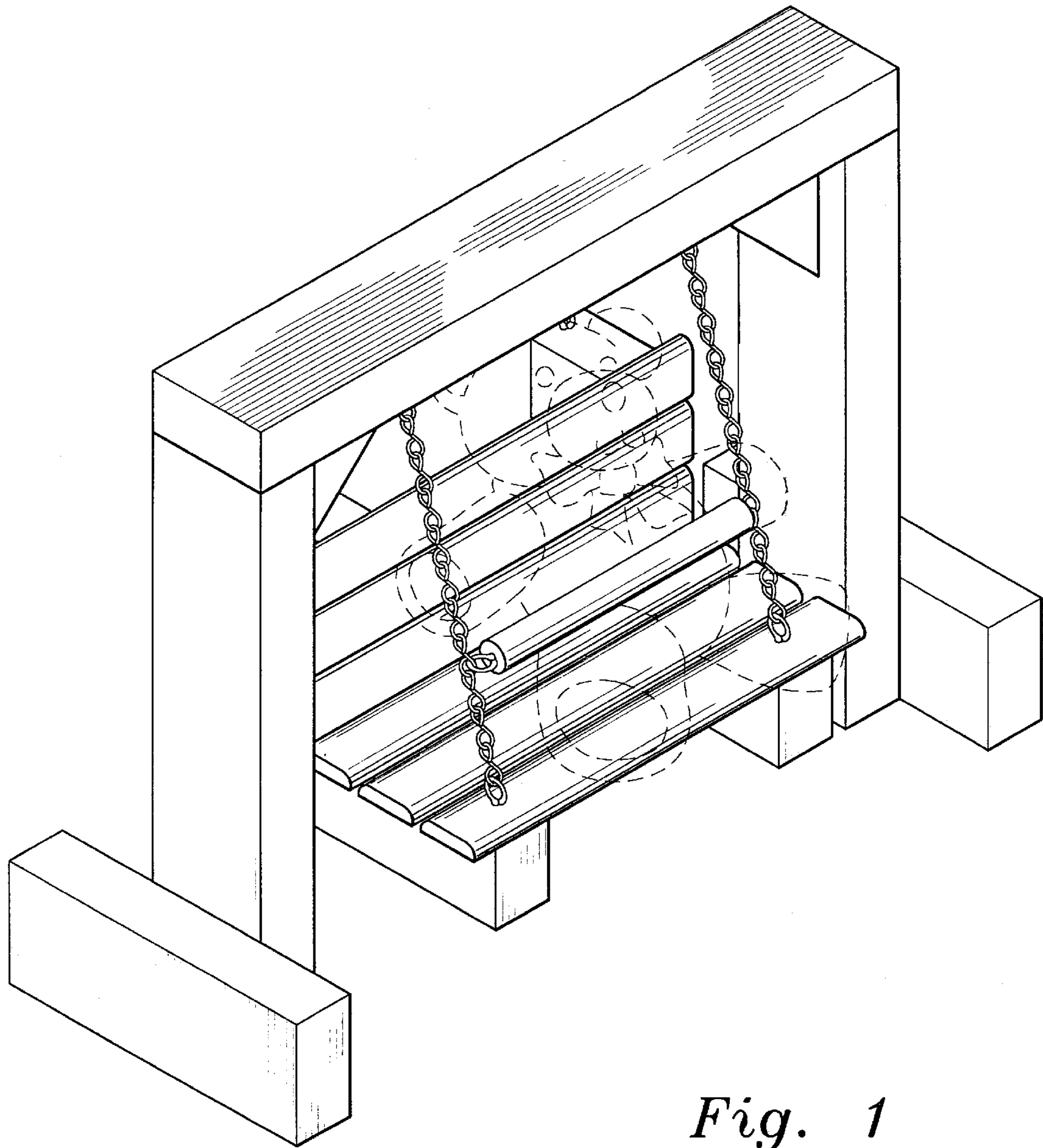


Fig. 1

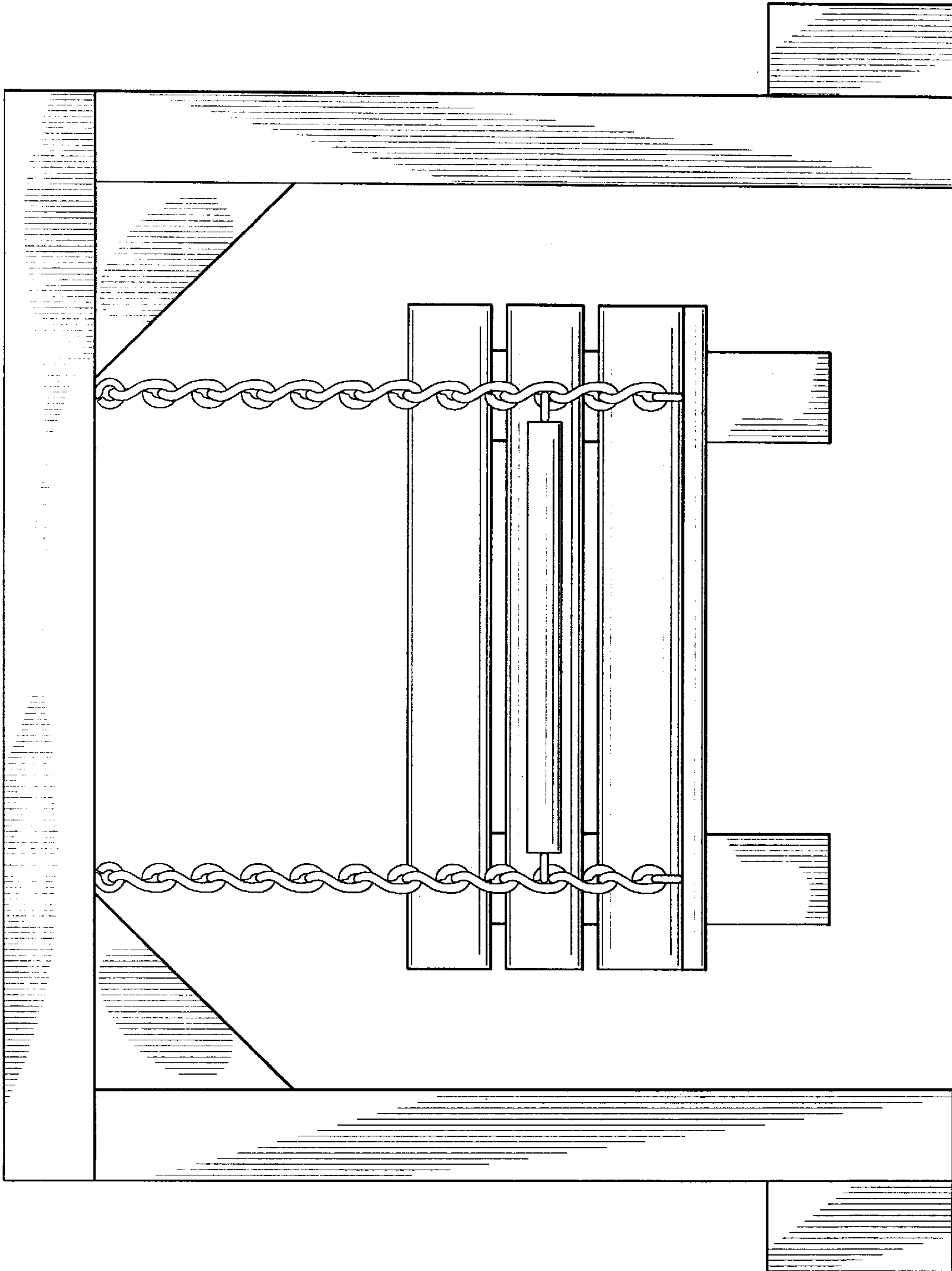


Fig. 2

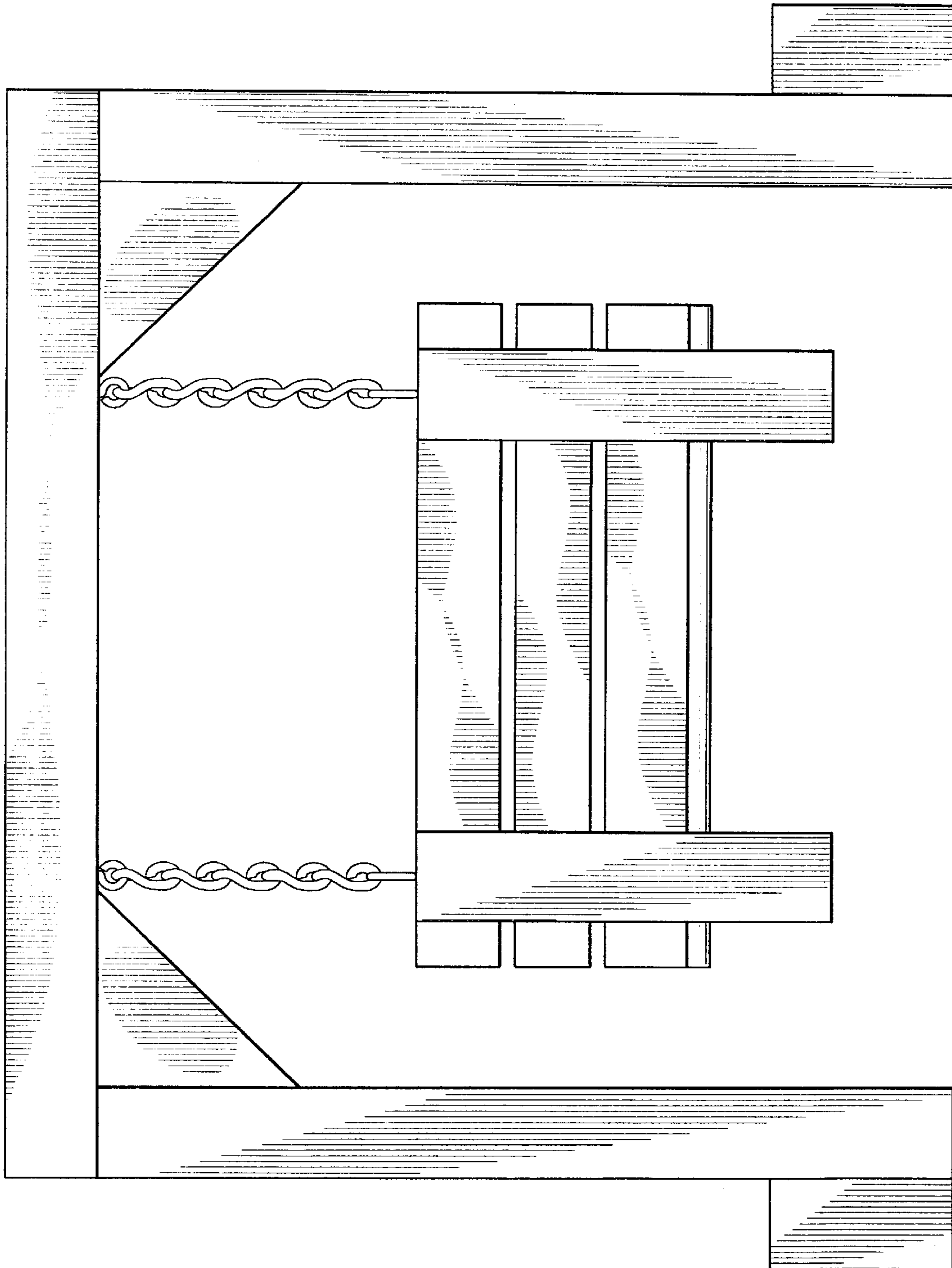


Fig. 3

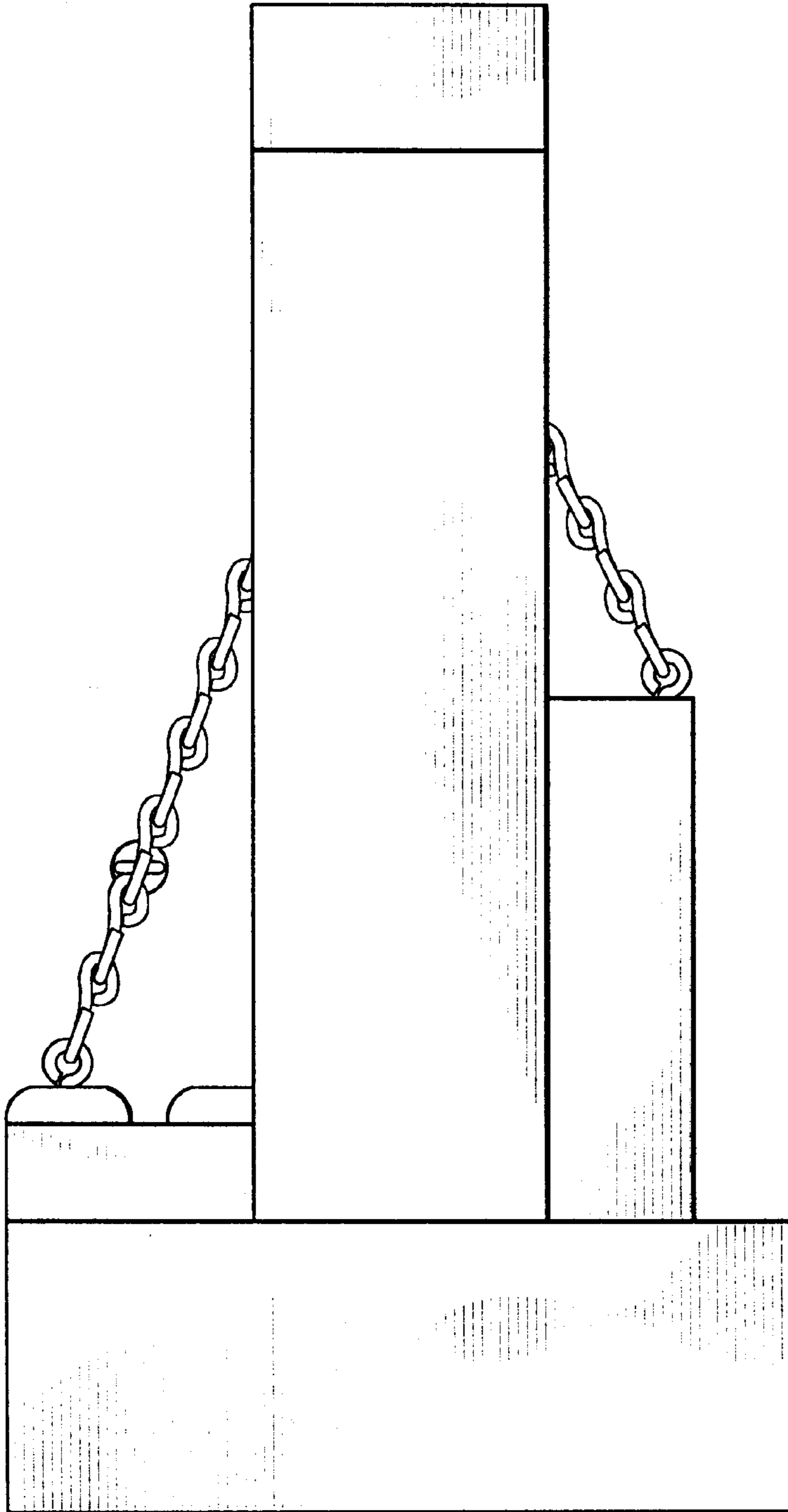


Fig. 4

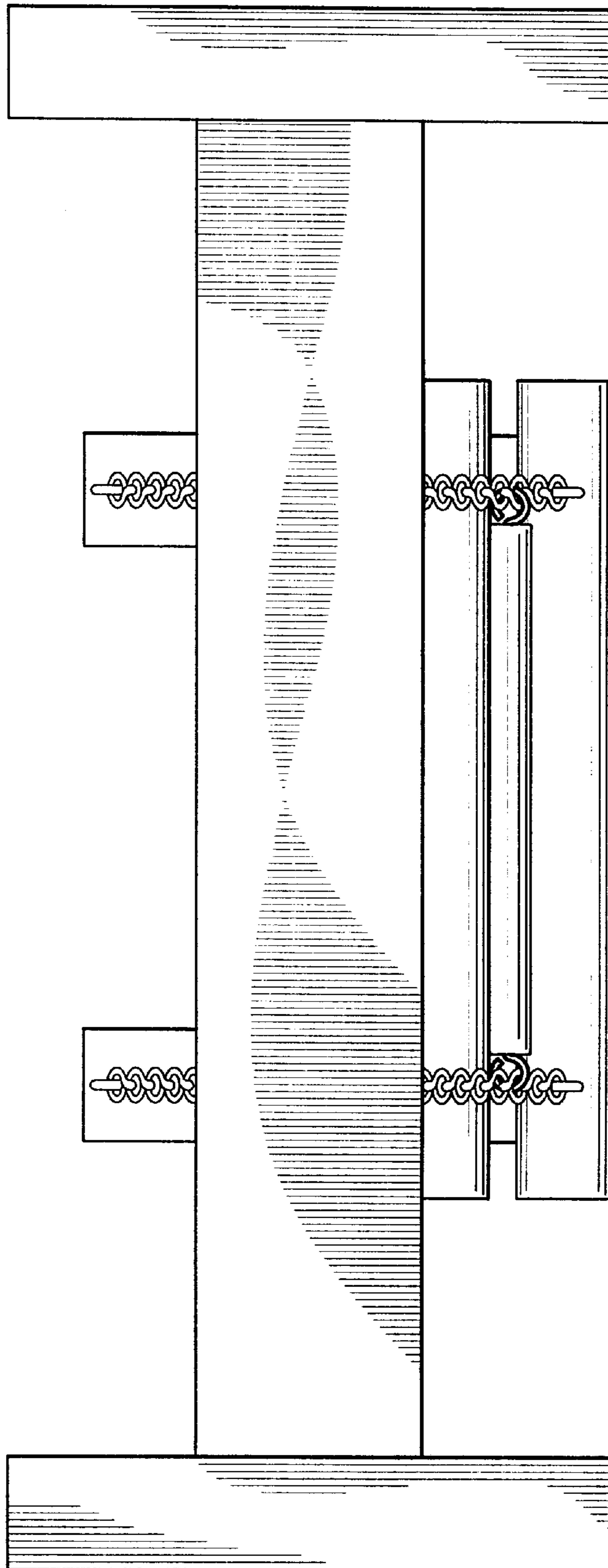


Fig. 5

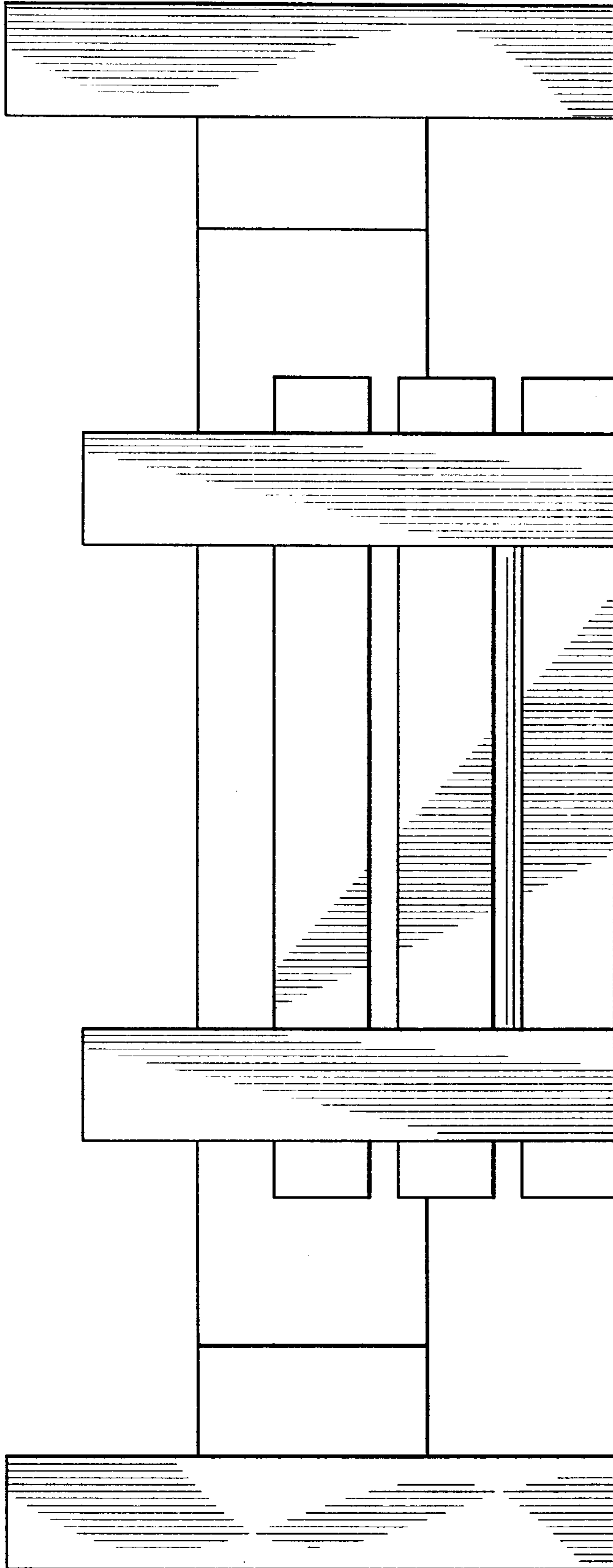


Fig. 6