



US00D430619S

United States Patent [19]

Wang et al.

[11] Patent Number: **Des. 430,619**

[45] Date of Patent: **** Sep. 5, 2000**

[54] **CHILDREN'S GOLF CAR**

[75] Inventors: **Chia-Hui Wang**, Chuang-Hua;
Kun-Chung Lin, Chia-I, both of
Taiwan

[73] Assignee: **Link Treasure Limited**, Tortola, United
Kingdom

[**] Term: **14 Years**

[21] Appl. No.: **29/117,782**

[22] Filed: **Jan. 26, 2000**

[51] **LOC (7) Cl.** **21-01**

[52] **U.S. Cl.** **D21/433; D21/425**

[58] **Field of Search** D21/419-435,
D21/533-539, 548-551; D12/1, 16, 87,
88; 446/424-425, 427, 433, 450, 454, 456-457,
465, 470; 280/87.01, 87.021, 828, 1.13

[56] **References Cited**

U.S. PATENT DOCUMENTS

- D. 215,089 9/1969 Jeffries D12/87
- D. 221,567 8/1971 Cook D21/433
- D. 227,285 6/1973 Stobar D21/433
- D. 245,242 8/1977 Stolley D12/16
- D. 365,311 12/1995 Mosetich et al. D21/433

- D. 369,762 5/1996 Molzon et al. D12/16
- D. 416,056 11/1999 Wu D21/433

OTHER PUBLICATIONS

Sears catalog, P 599, 1981.
Caroche Club Car Ad, Jan. 24, 1991.

Primary Examiner—Raphael Barkai
Attorney, Agent, or Firm—W. Wayne Liauh

[57] **CLAIM**

The ornamental design for a children's golf car, as shown and described.

DESCRIPTION

FIG. 1 is a perspective view of a children's golf car, showing our new design;
FIG. 2 is right side elevational view thereof;
FIG. 3 is a top view thereof;
FIG. 4 is front view thereof;
FIG. 5 is a bottom view thereof;
FIG. 6 is a left side elevational view thereof; and
FIG. 7 is a rear view thereof; and,
FIG. 8 is a perspective view thereof, the broken lines are for illustrative purposes only and form no part of the claimed design.

1 Claim, 8 Drawing Sheets

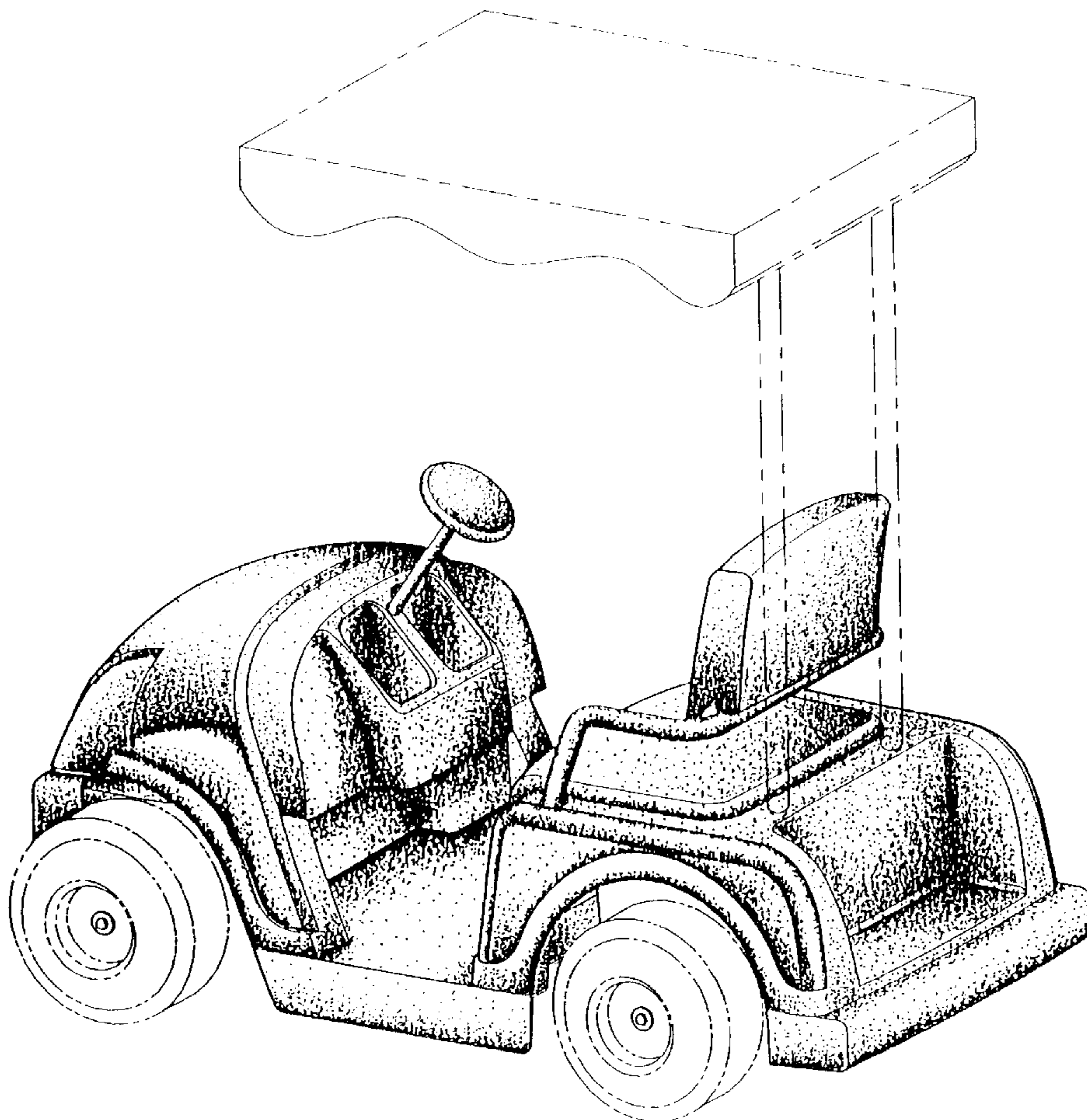
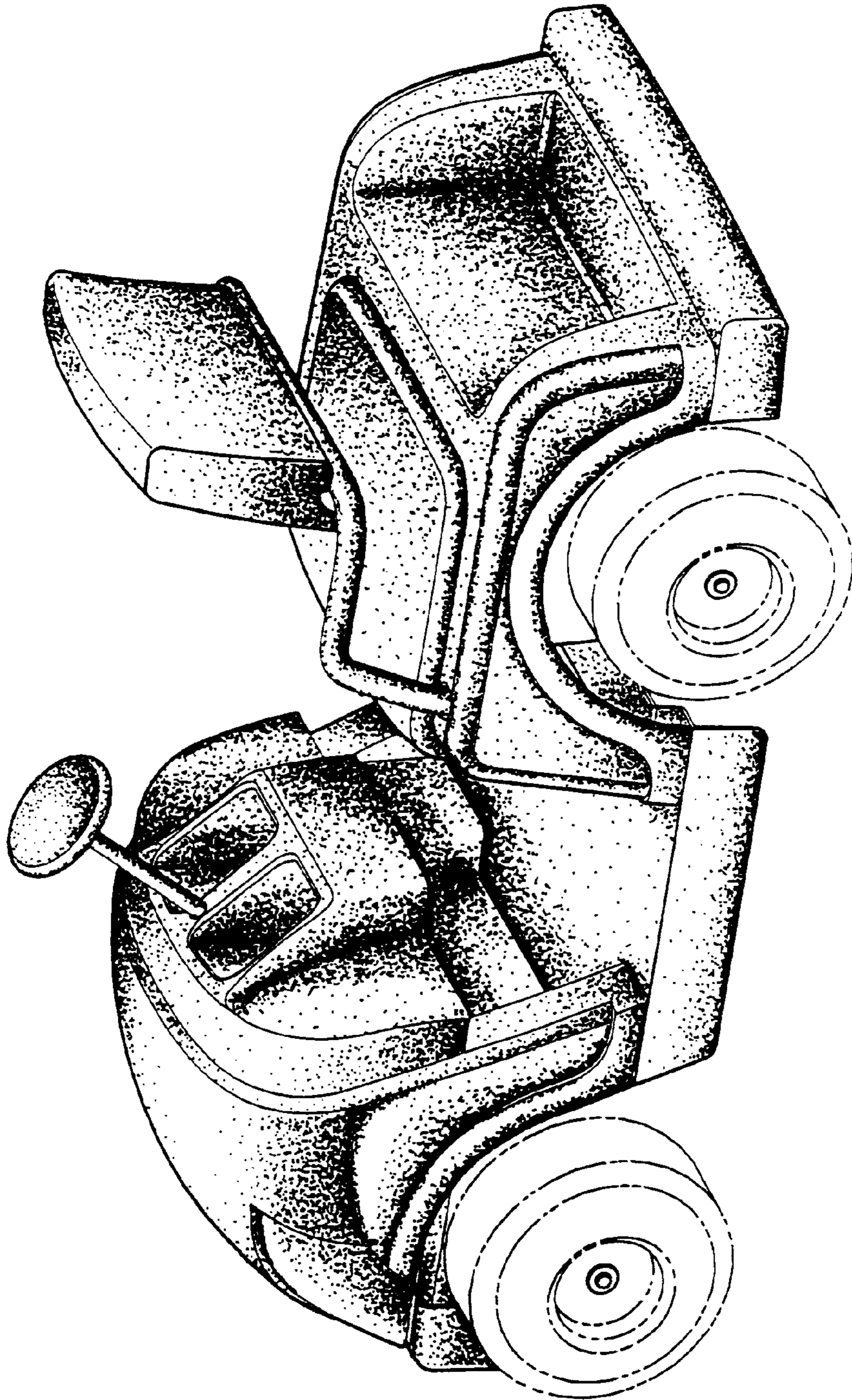


FIG. 1



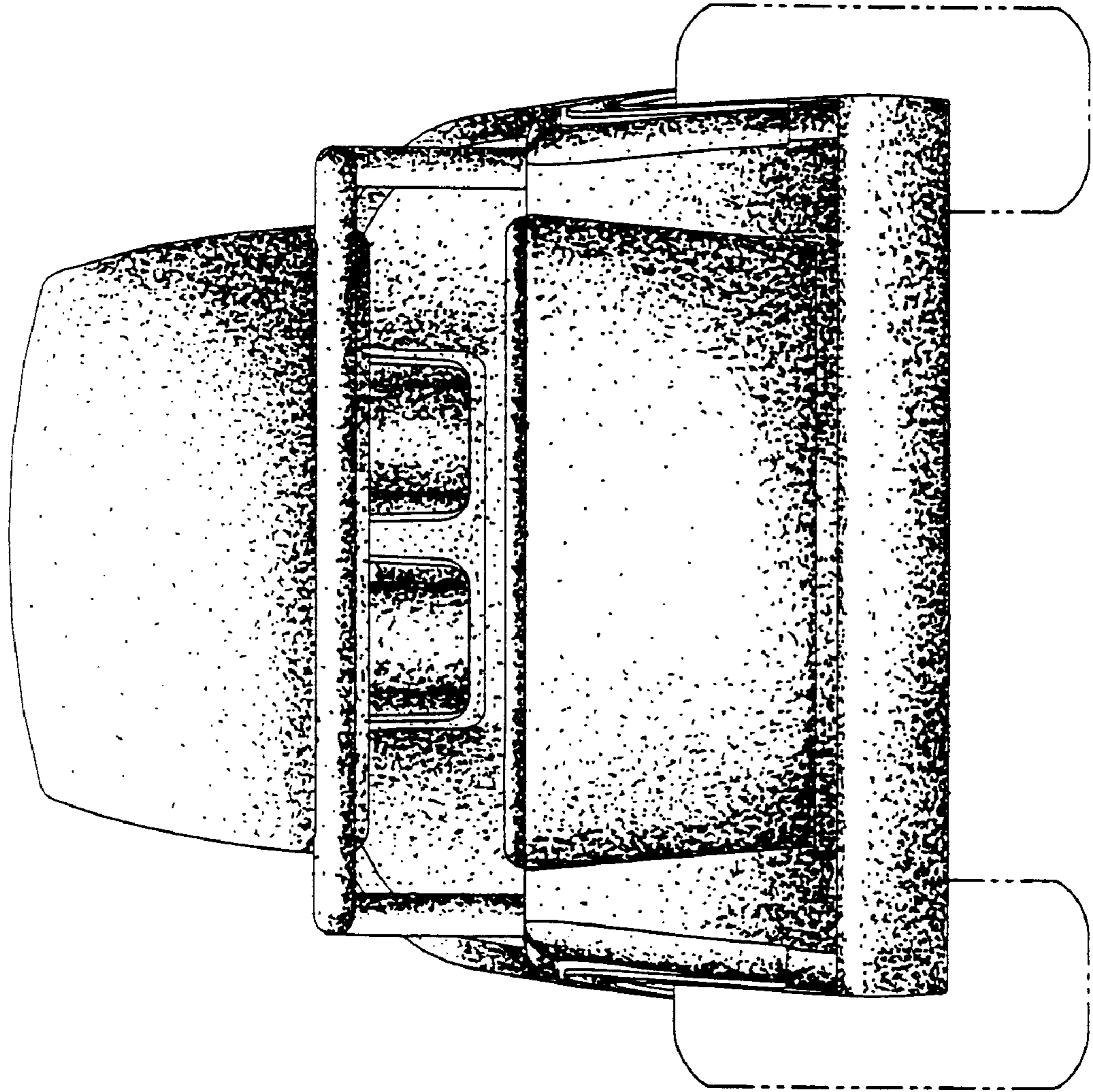


FIG. 2

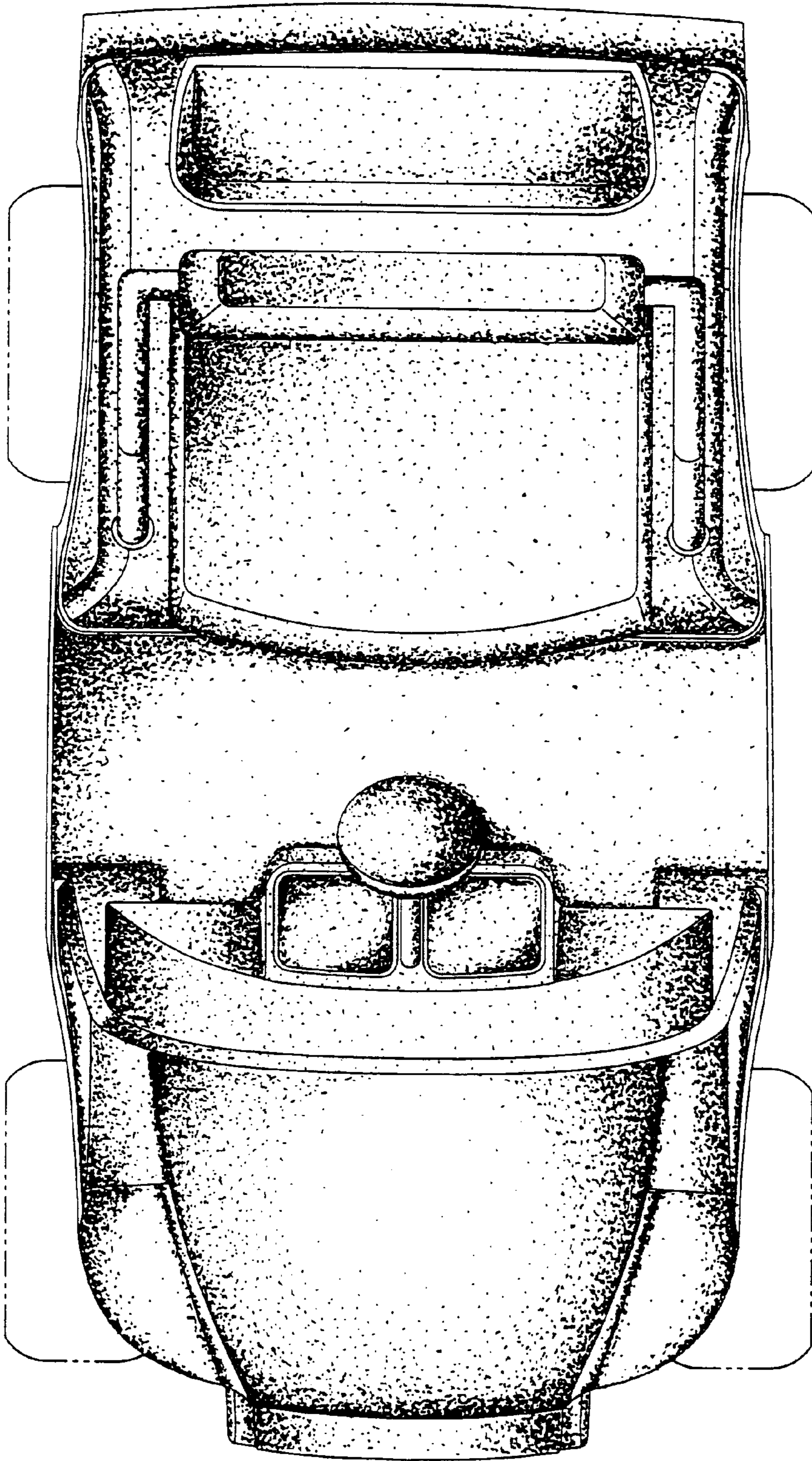


FIG. 3

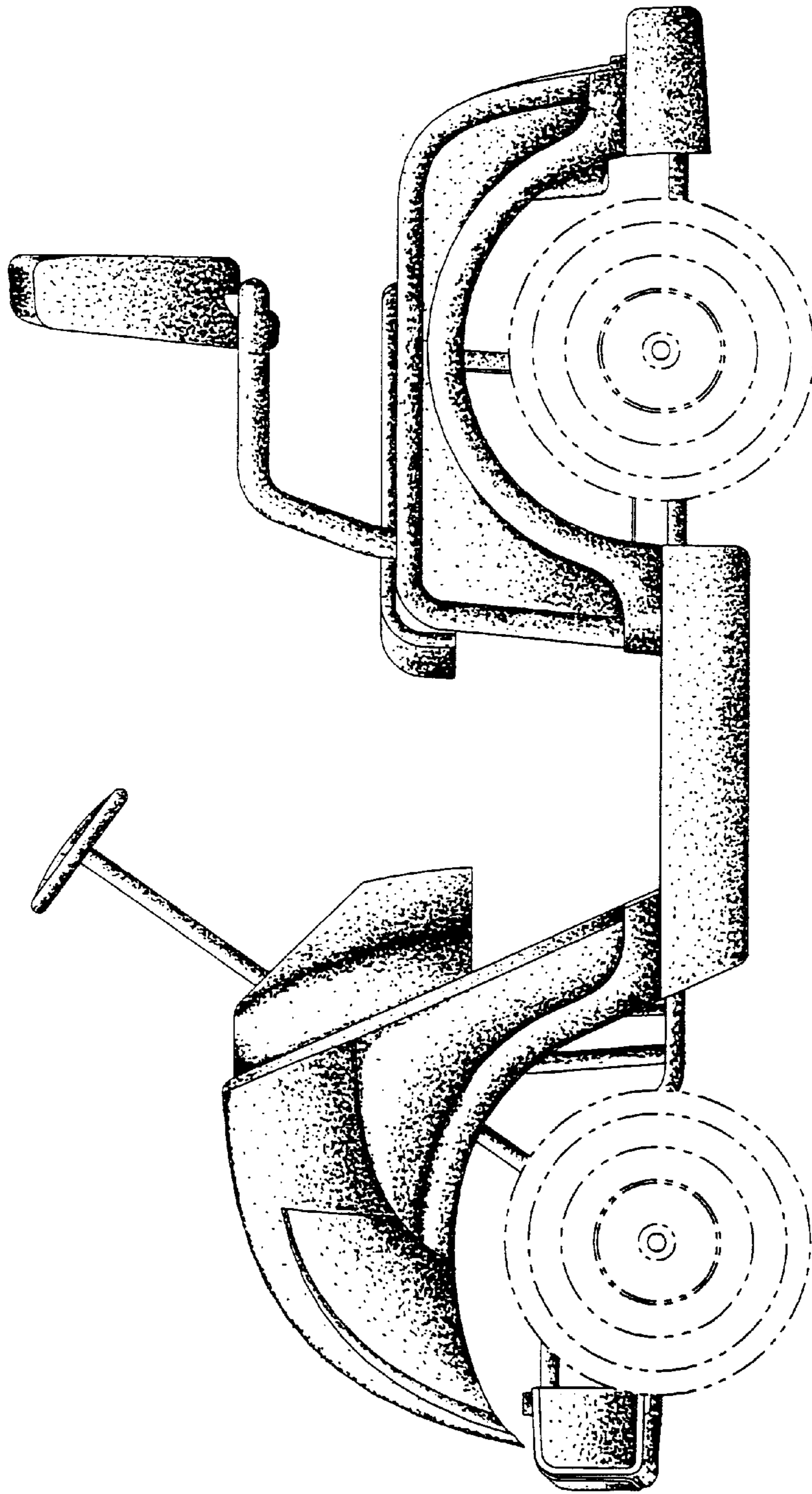


FIG. 4

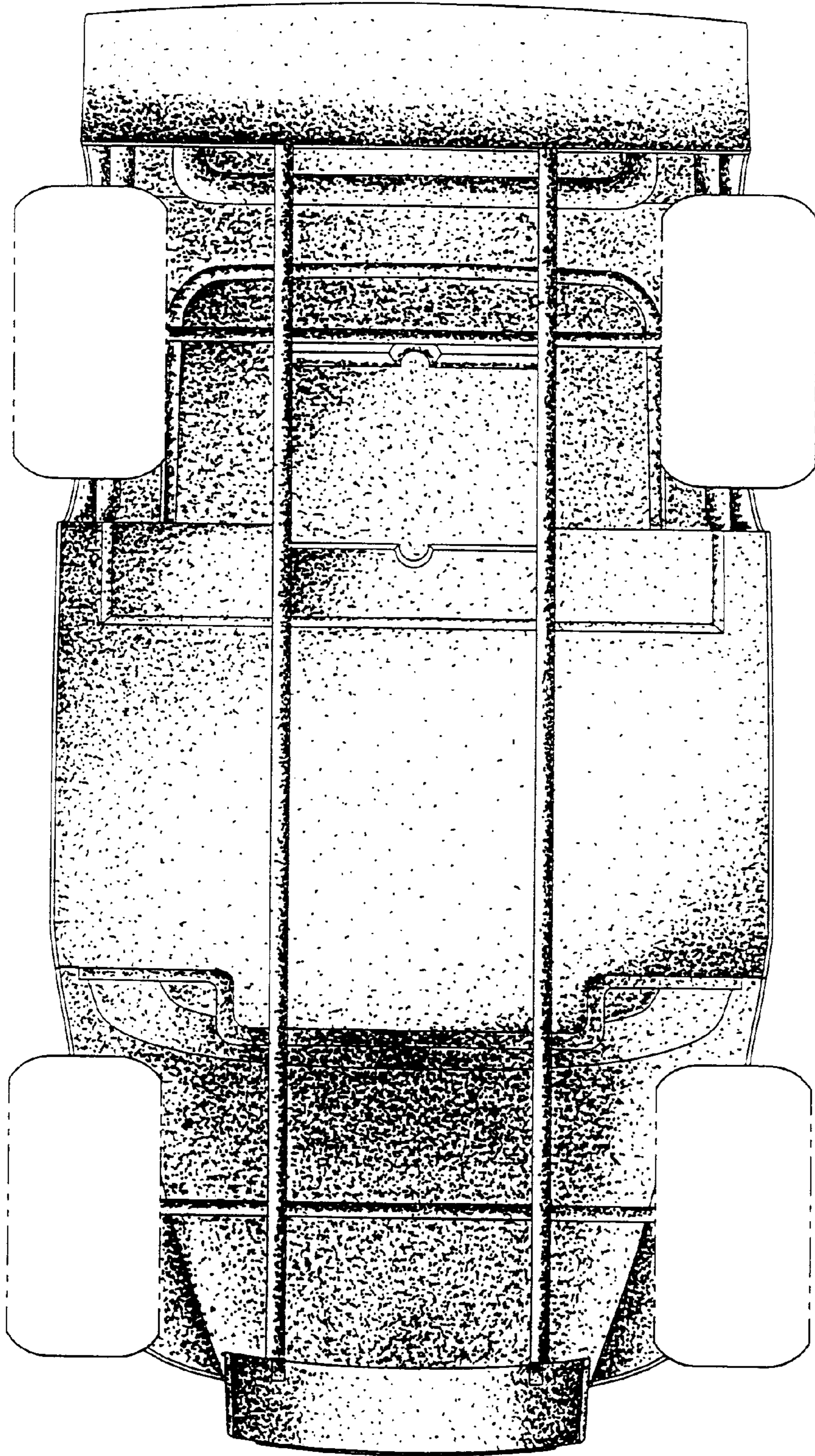


FIG. 5

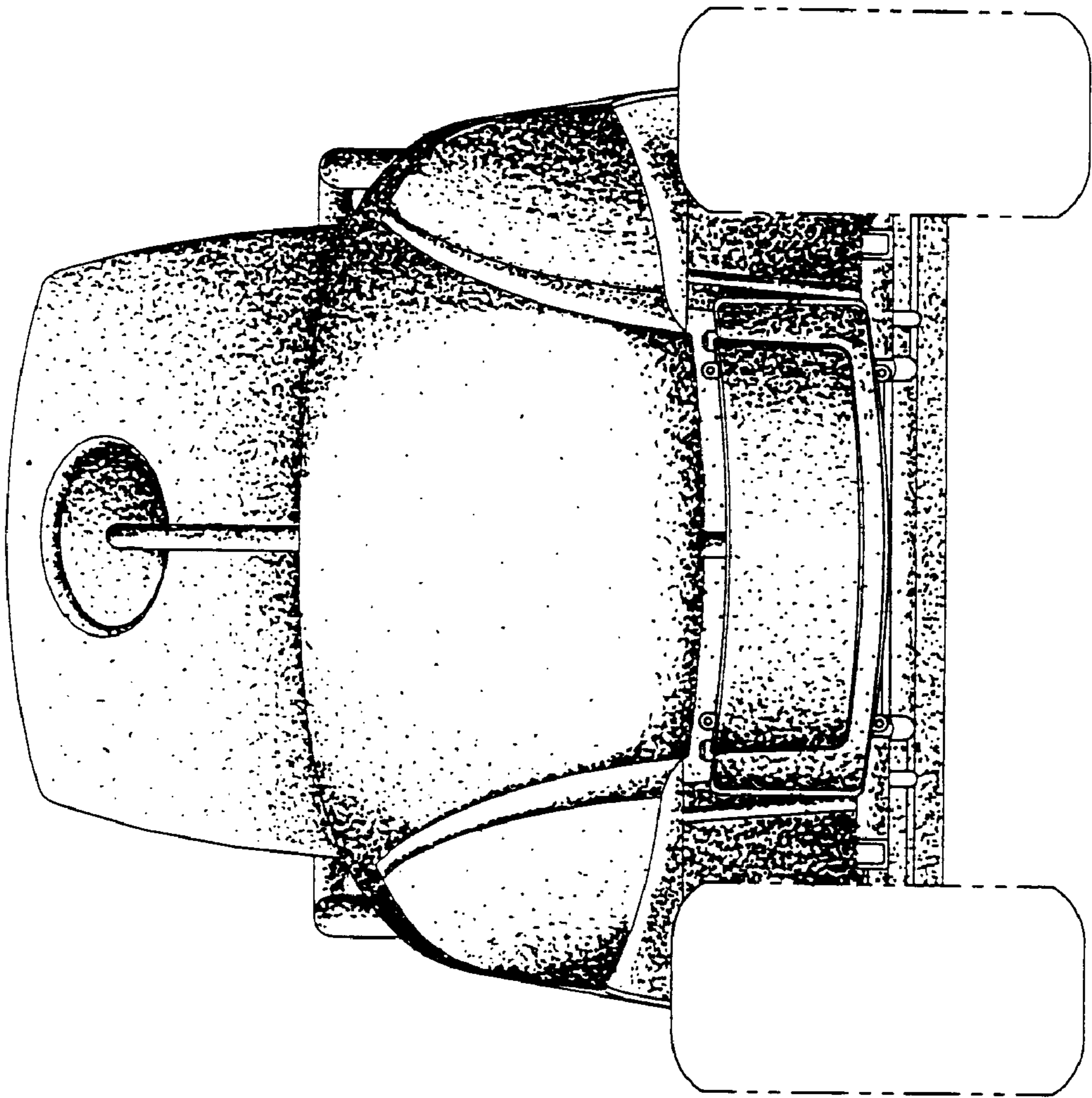


FIG. 6

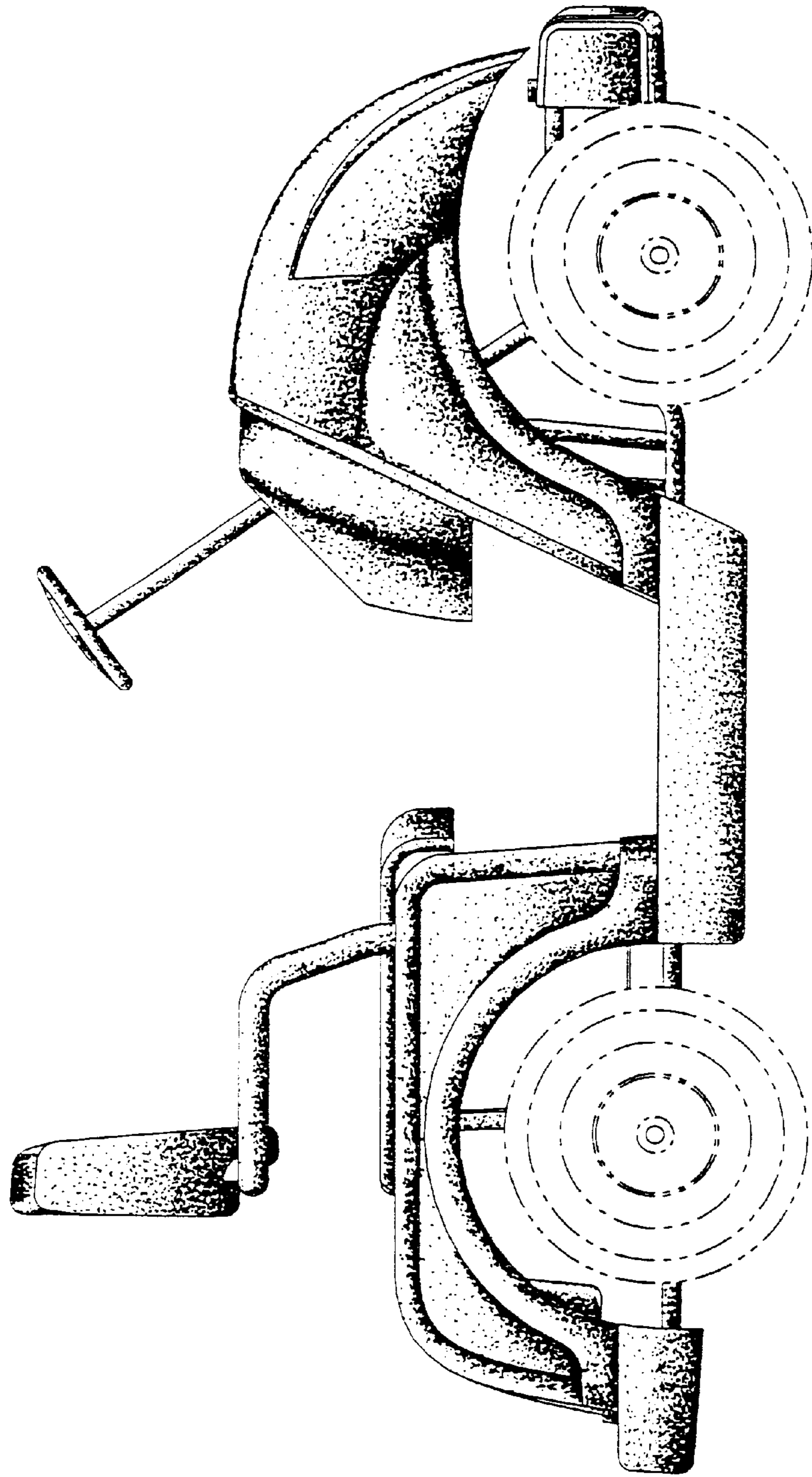


FIG. 7

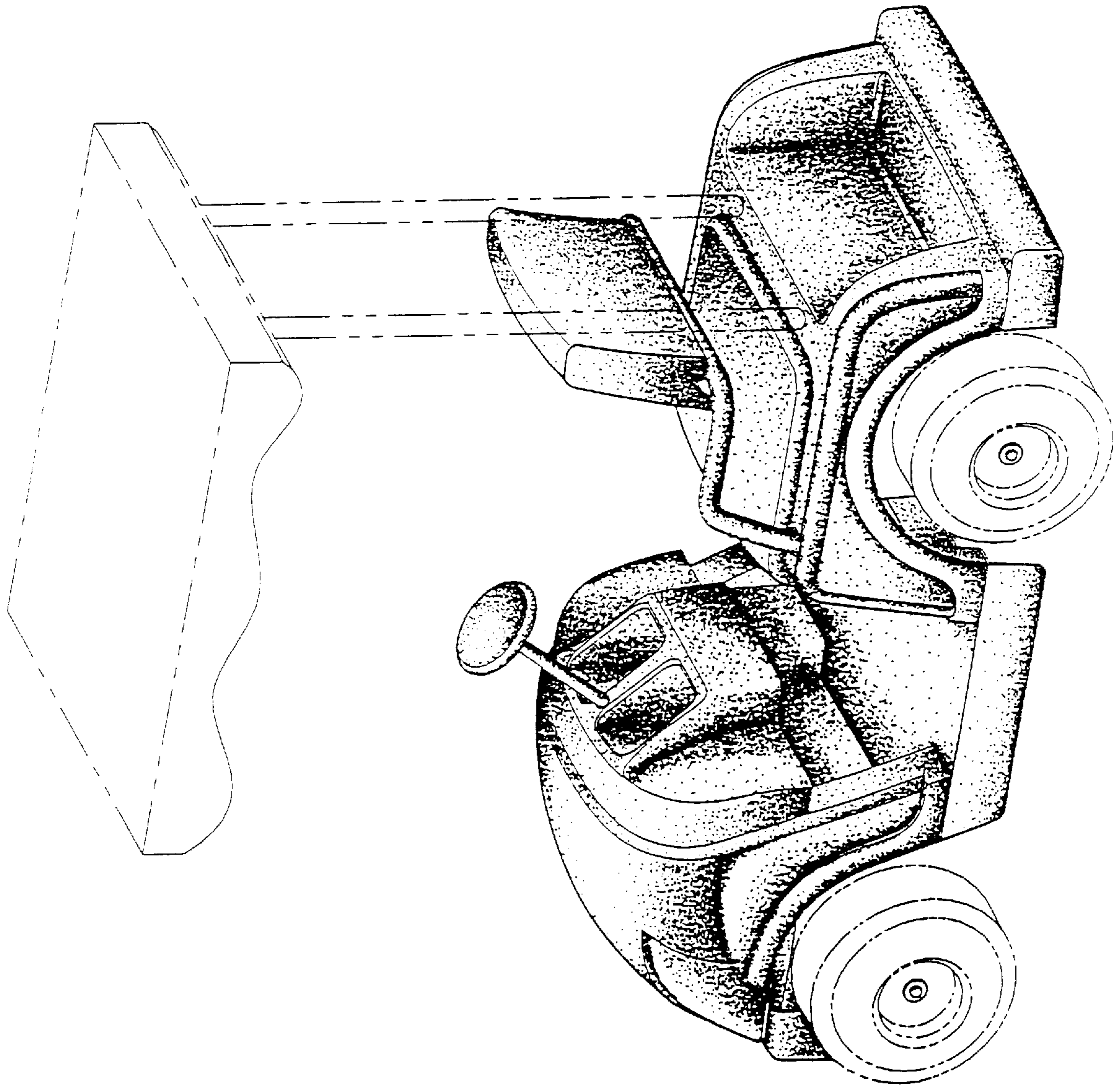


FIG. 8