



US00D430617S

United States Patent [19]
Shimoide

[11] **Patent Number: Des. 430,617**

[45] **Date of Patent: ** Sep. 5, 2000**

[54] **OPERATING APPARATUS FOR VIDEO GAME MACHINE**

5,259,626 11/1993 Ho 463/37
5,964,661 10/1999 Dodge 273/148 B X
5,976,018 11/1999 Druckman 273/148 B X

[75] Inventor: **Kenji Shimoide**, Shibuya-ku, Japan

OTHER PUBLICATIONS

HongKong Electronics, p. 334, Oct. 1996.

[73] Assignee: **Konami Co., Ltd.**, Hyogo-ken, Japan

Primary Examiner—Prabhakar Deshmukh
Attorney, Agent, or Firm—Jordan and Hamburg LLP

[**] Term: **14 Years**

[21] Appl. No.: **29/110,095**

[57] **CLAIM**

The ornamental design for operating apparatus for video game machine, as shown and described.

[22] Filed: **Aug. 30, 1999**

[30] **Foreign Application Priority Data**

Mar. 5, 1999 [JP] Japan 11-5576

DESCRIPTION

[51] **LOC (7) Cl.** **21-01**

FIG. 1 is a perspective view of operating apparatus for video game machine;

[52] **U.S. Cl.** **D21/324**

FIG. 2 is a front view thereof;

[58] **Field of Search** D21/324, 328,
D21/333; 463/1, 30-37, 46, 47; 273/148 B;
D14/496

FIG. 3 is a top view thereof;

FIG. 4 is a rear view thereof;

FIG. 5 is a bottom view thereof;

FIG. 6 is a left side view thereof; and,

FIG. 7 is a right side view thereof.

The cable connector indicates indeterminate length.

[56] **References Cited**

U.S. PATENT DOCUMENTS

D. 393,014 3/1998 Ho et al. D21/324
D. 407,761 4/1999 Barr D21/329
4,403,777 9/1983 Del Principe et al. 273/148 B X

1 Claim, 6 Drawing Sheets

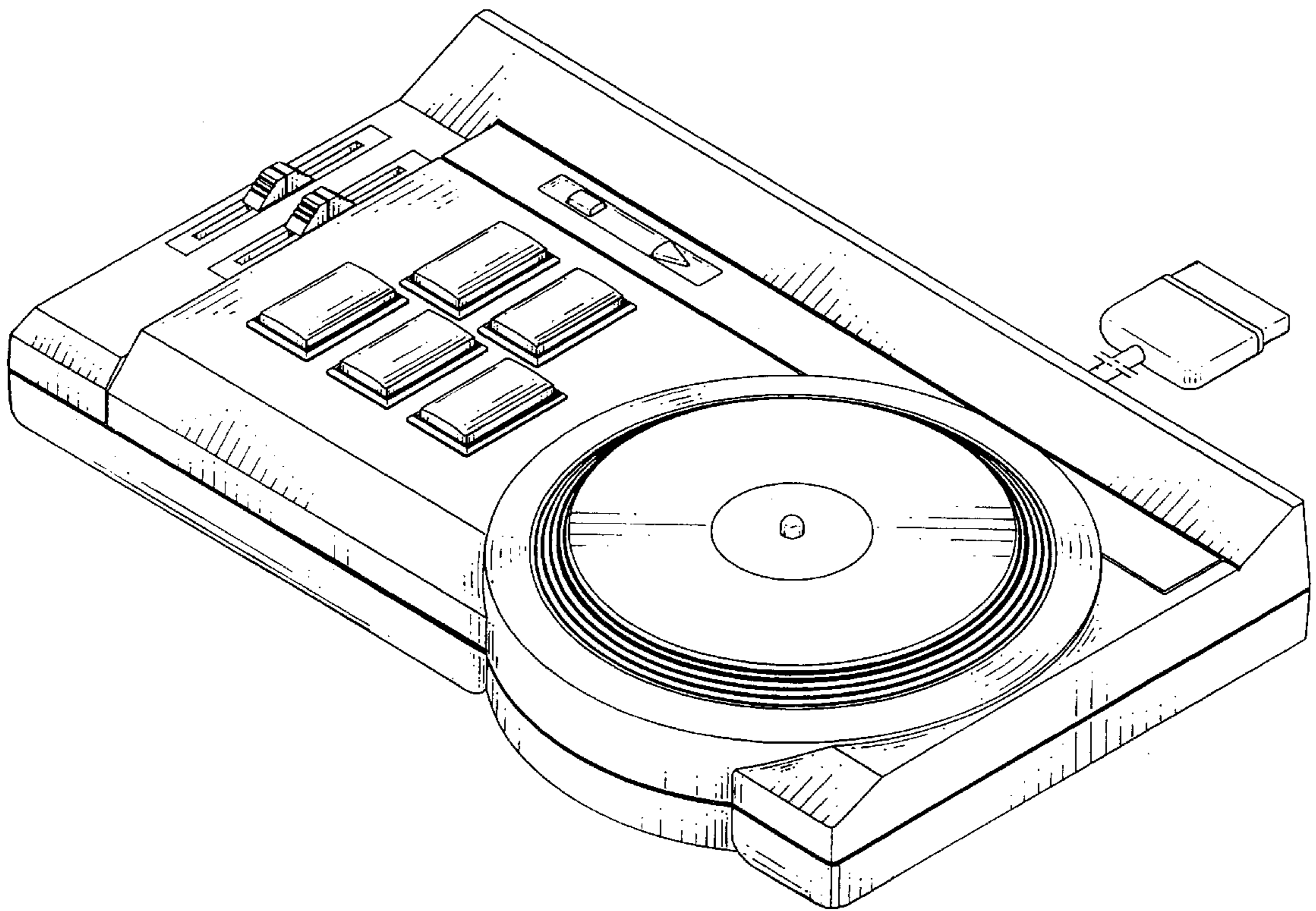
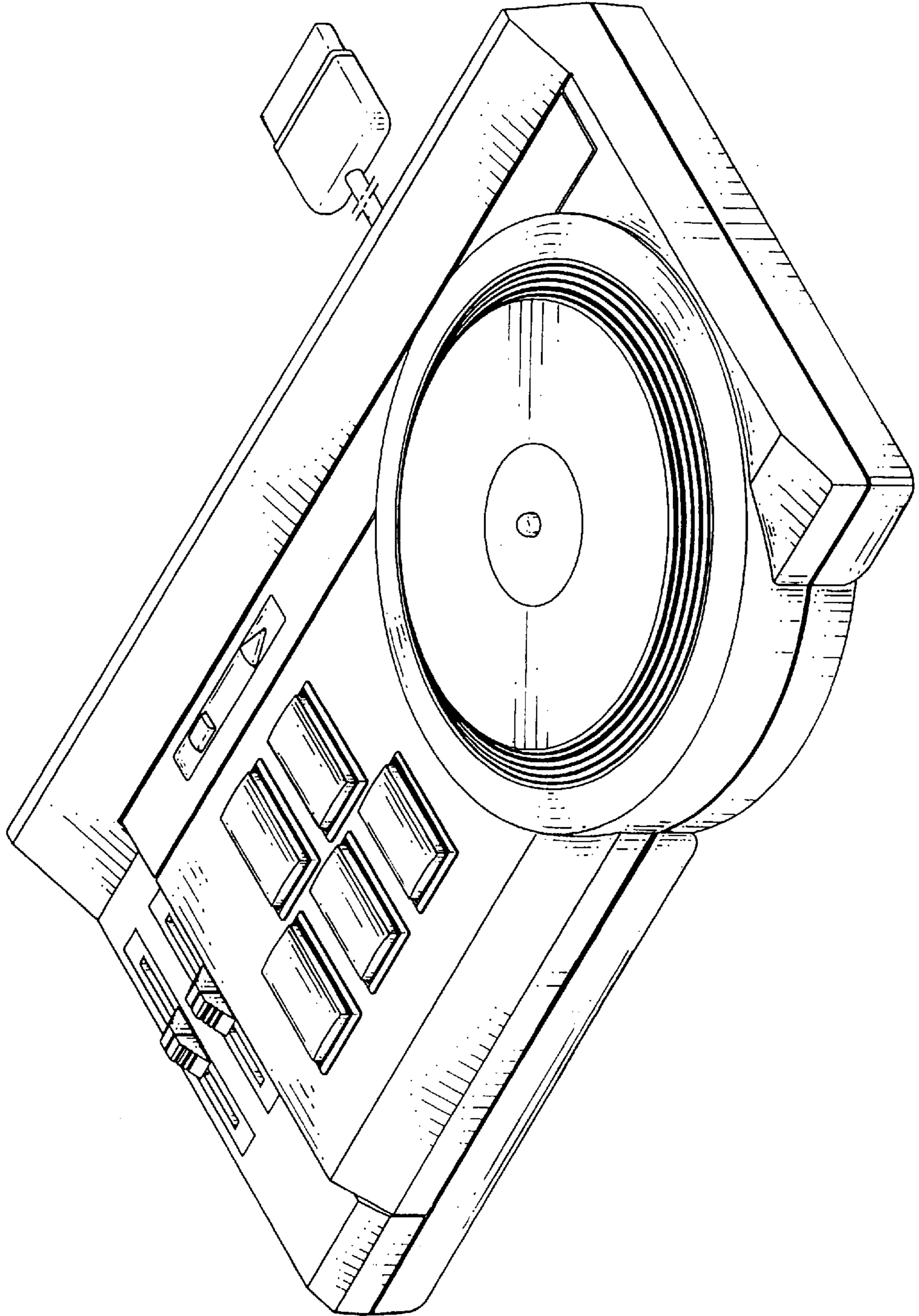


FIG. 1



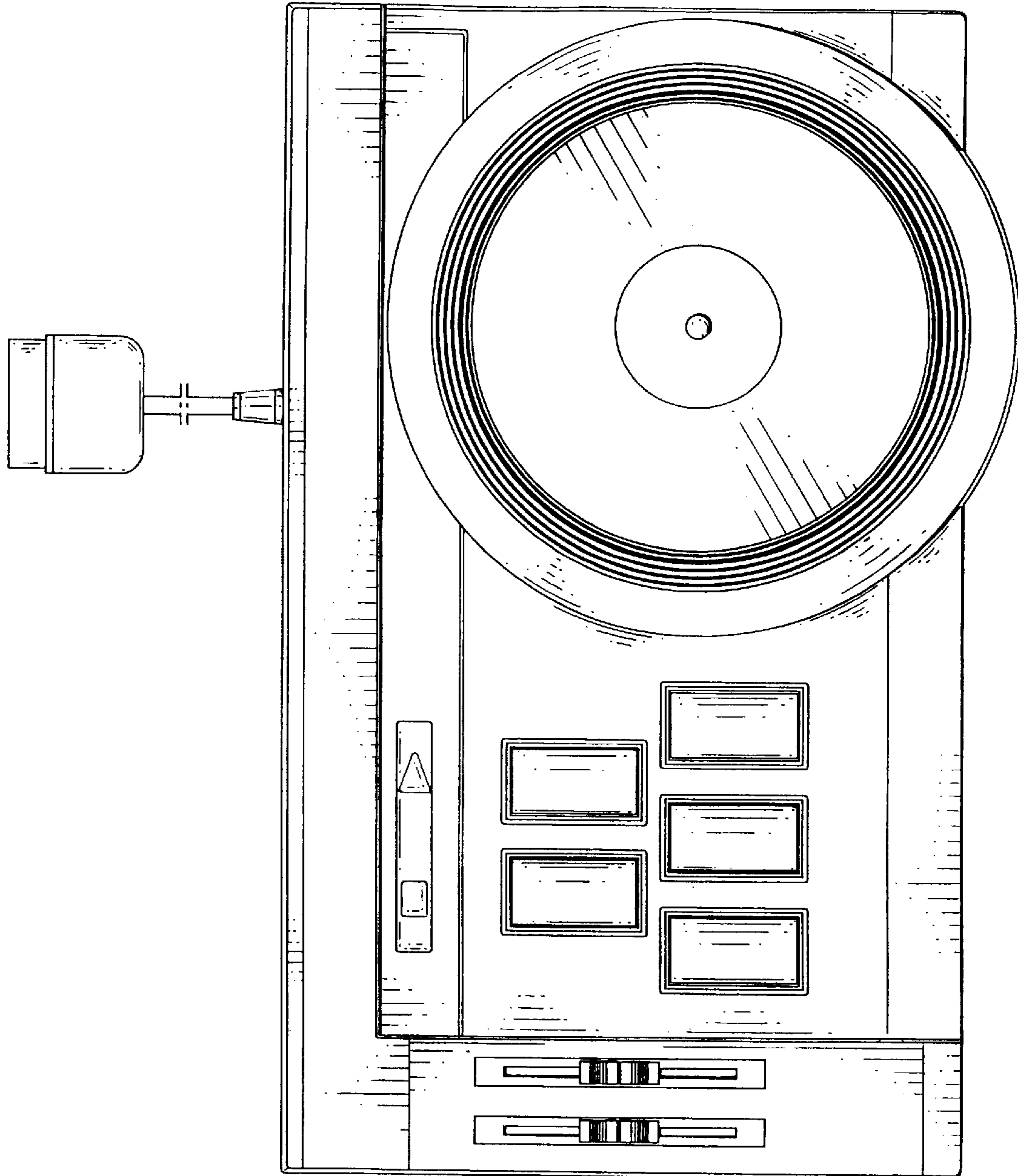


FIG. 2

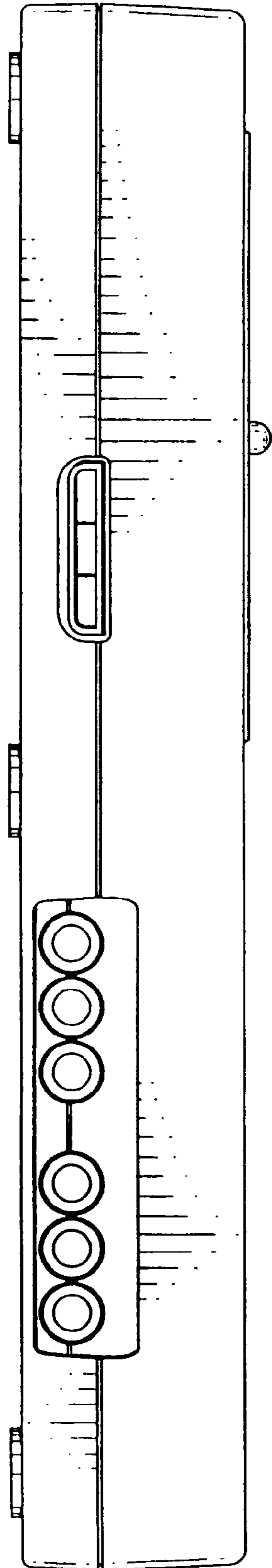


FIG. 3

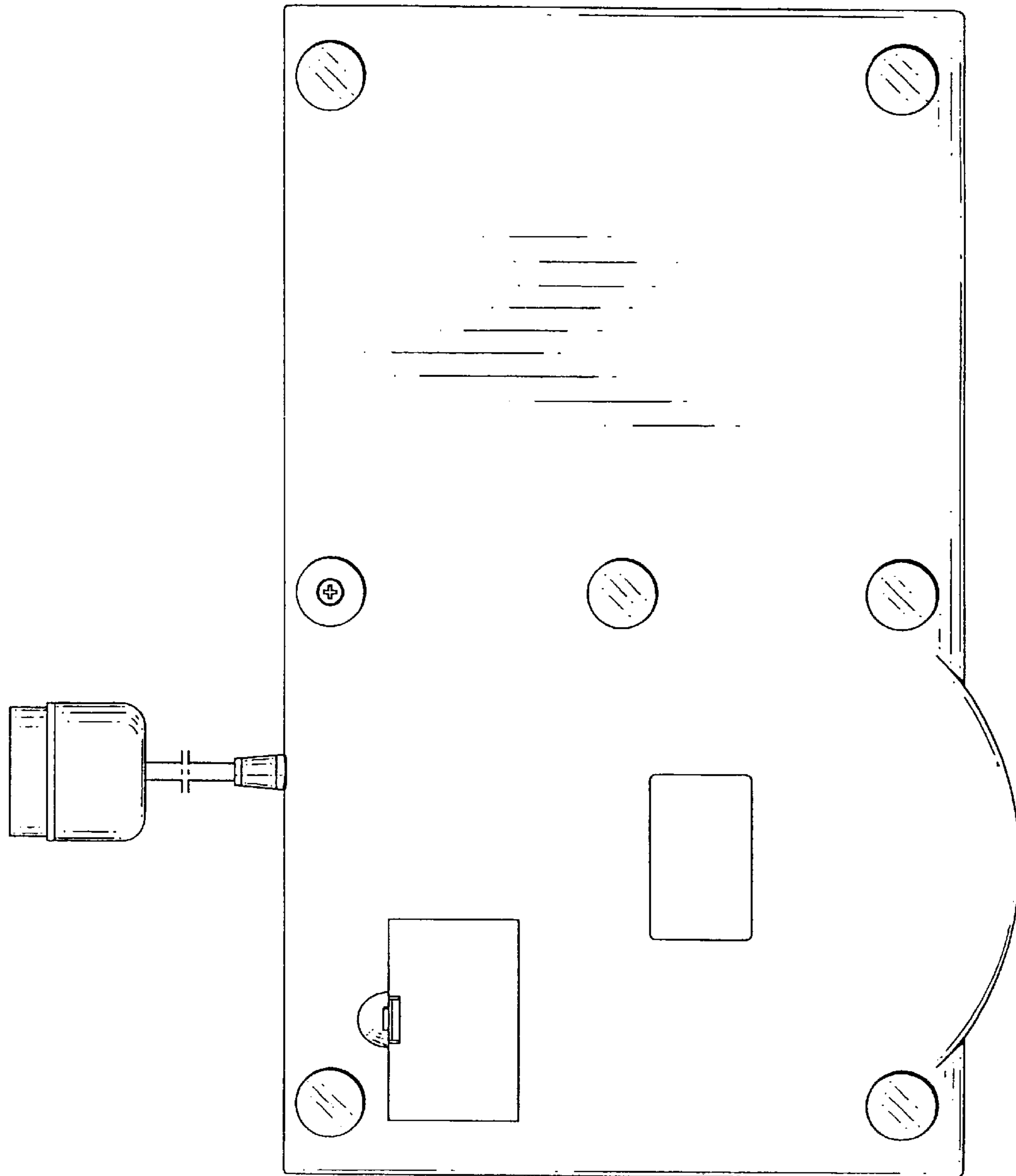


FIG. 4

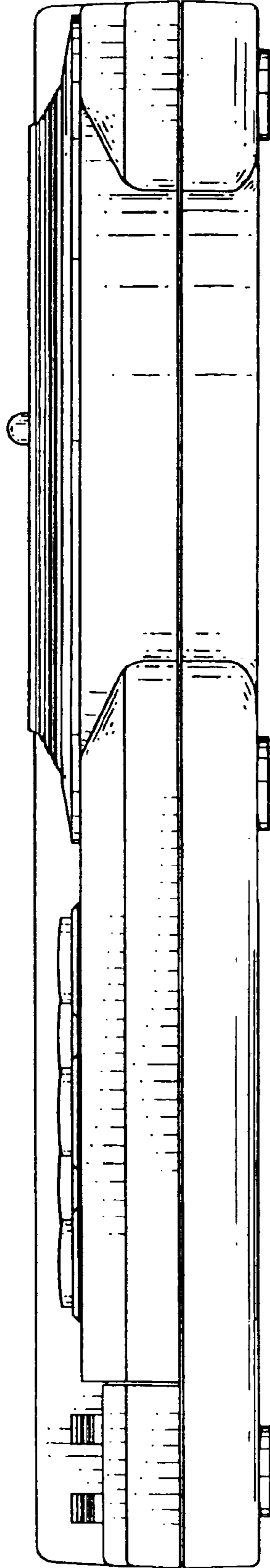


FIG. 5

FIG. 6

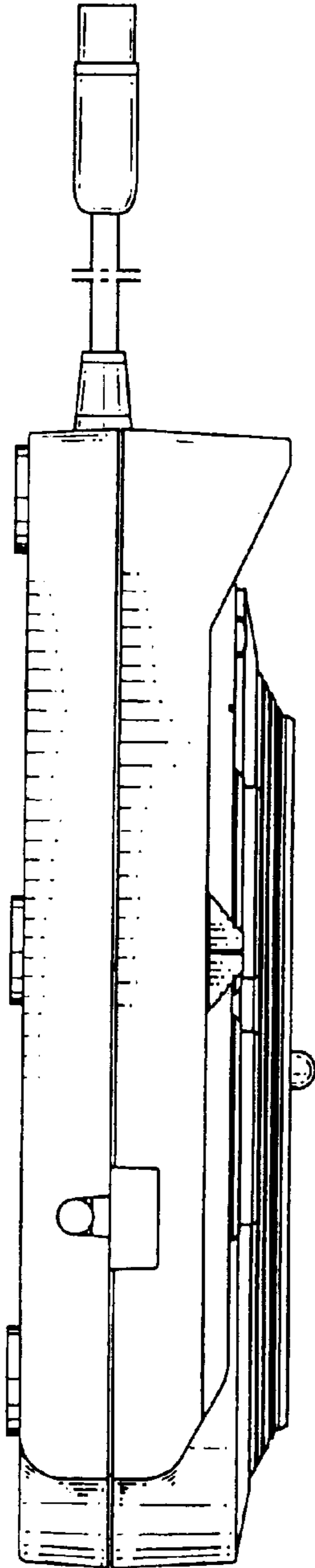


FIG. 7

