



US00D430613S

United States Patent [19]
Cunningham

[11] **Patent Number: Des. 430,613**

[45] **Date of Patent: ** Sep. 5, 2000**

[54] **COMBINED DRIVE-BY RESTAURANT
ILLUMINATED ROTATING MENU,
INTERCOM AND DISPLAY HOUSING**

D. 348,285 6/1994 Cunningham D20/19
D. 366,502 1/1996 Durco D20/19

[76] Inventor: **William B. Cunningham**, P.O. Box
25463, Oklahoma, Okla. 73125

Primary Examiner—Susan J. Lucas
Assistant Examiner—Jennifer Rivard
Attorney, Agent, or Firm—Robert K. Rhea

[**] Term: **14 Years**

[57] **CLAIM**

[21] Appl. No.: **29/102,670**

The ornamental design for a combined drive-by restaurant illuminated rotating menu, intercom and display housing, as shown.

[22] Filed: **Mar. 29, 1999**

[51] **LOC (7) Cl.** **20-03**

DESCRIPTION

[52] **U.S. Cl.** **D20/19**

[58] **Field of Search** D20/10, 19; 40/584,
40/541, 553, 538, 574, 611; 312/100; 362/812

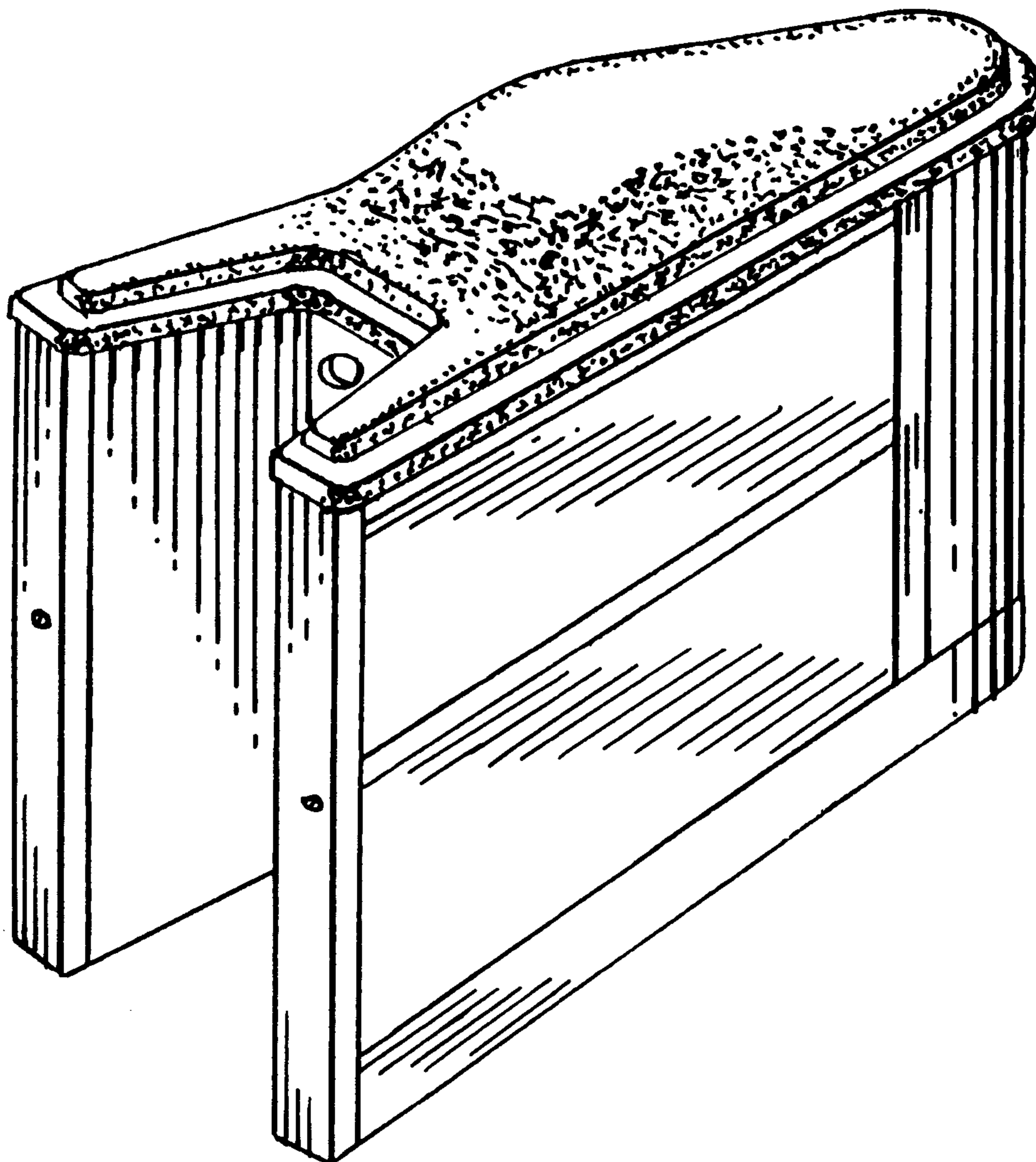
FIG. 1 is perspective view of a combined drive-by restaurant illuminated rotating menu, intercom and display housing; FIG. 2 is a side elevational view thereof; FIG. 3 is a side elevational view of the opposite side thereof; FIG. 4 is a front elevational view thereof; FIG. 5 is a rear elevational view thereof; FIG. 6 is a top view thereof; and, FIG. 7 is a bottom view thereof.

[56] **References Cited**

U.S. PATENT DOCUMENTS

D. 172,212	5/1954	Banks	D20/42
D. 247,830	5/1978	Cunningham	D20/19
D. 300,043	2/1989	Silverman	D20/10
D. 326,477	5/1992	Cunningham	D20/19

1 Claim, 2 Drawing Sheets



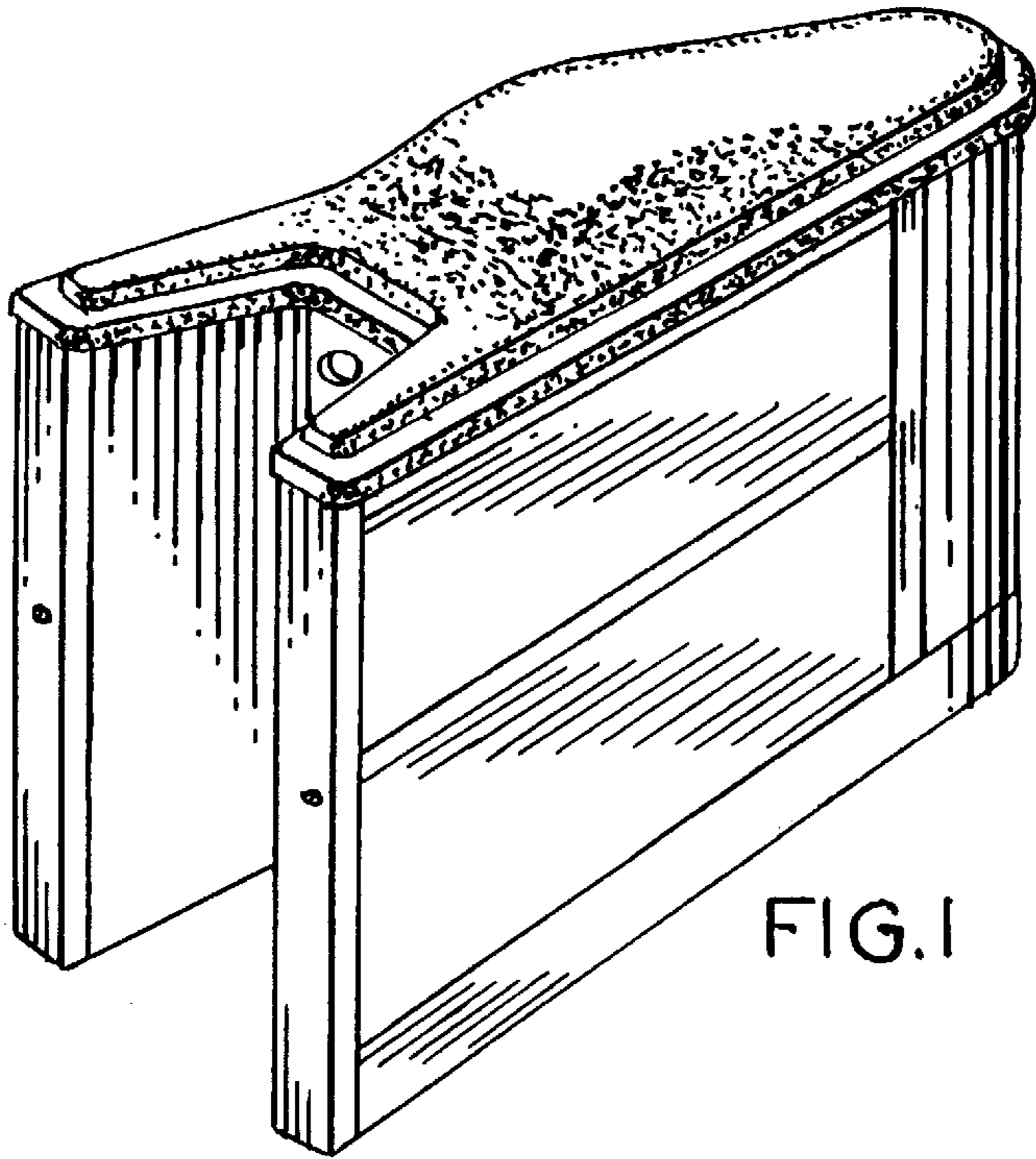


FIG. 1

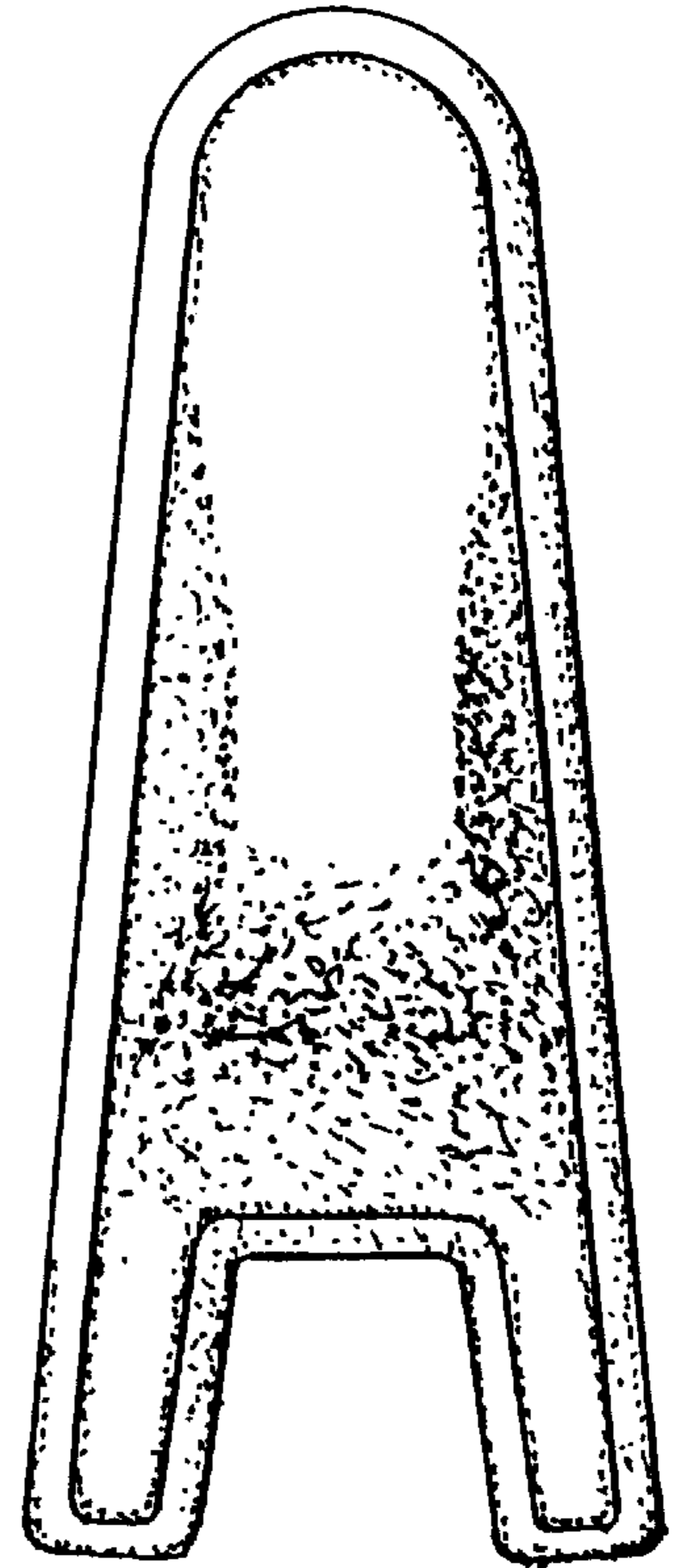


FIG. 6

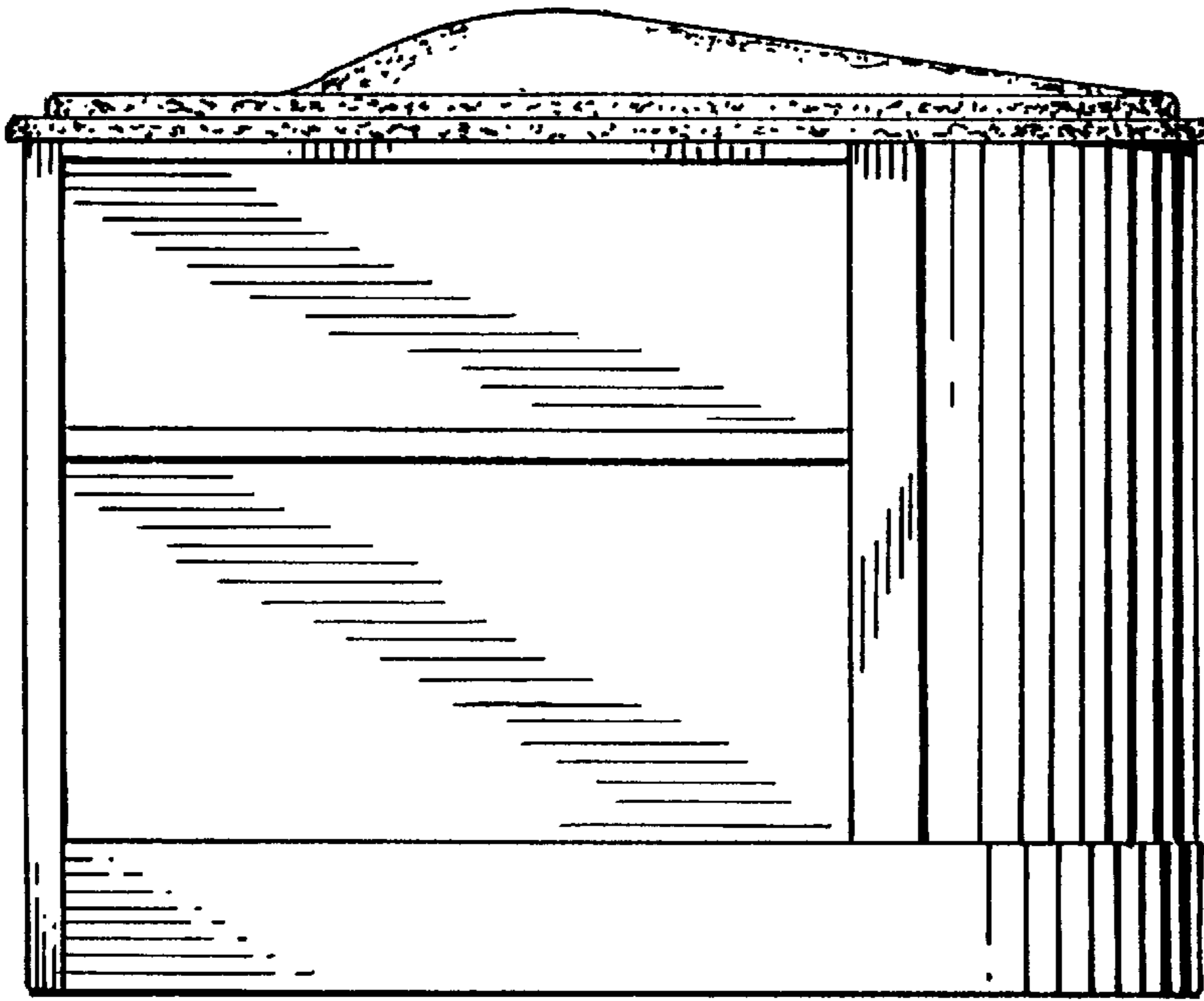


FIG. 2

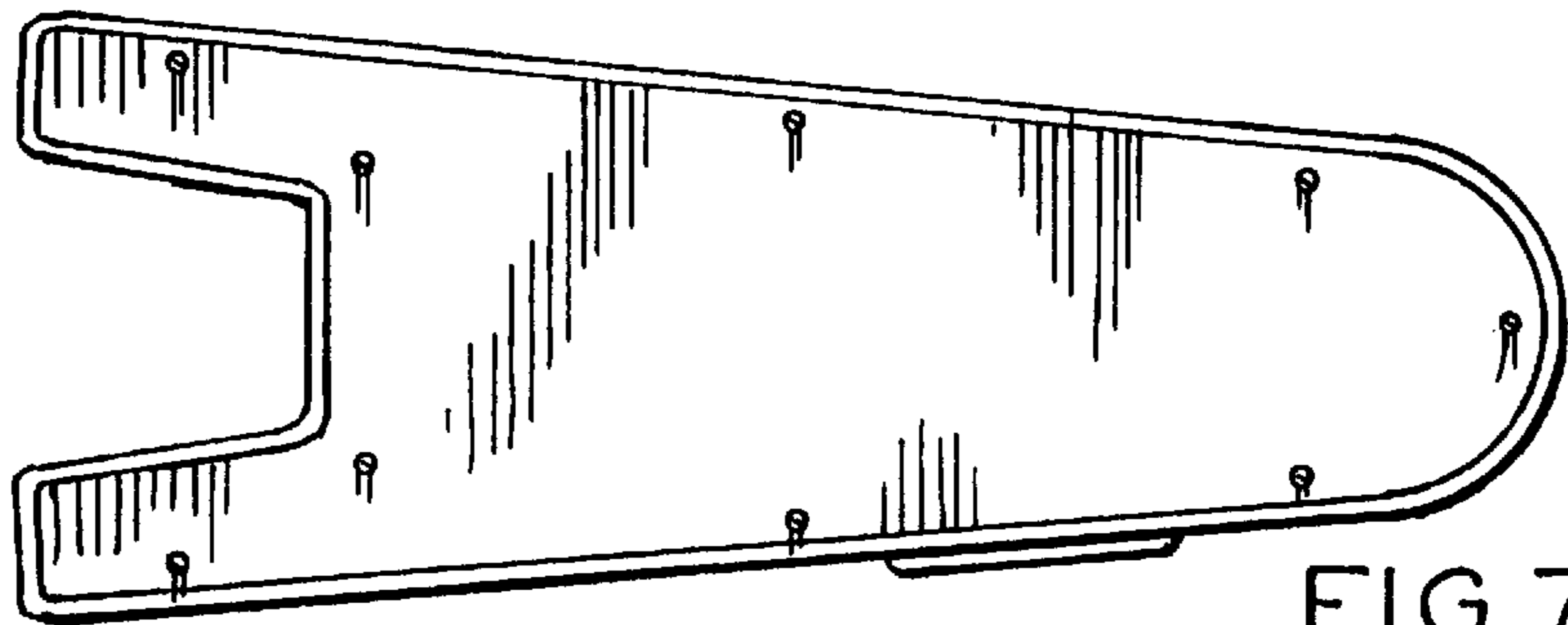


FIG. 7

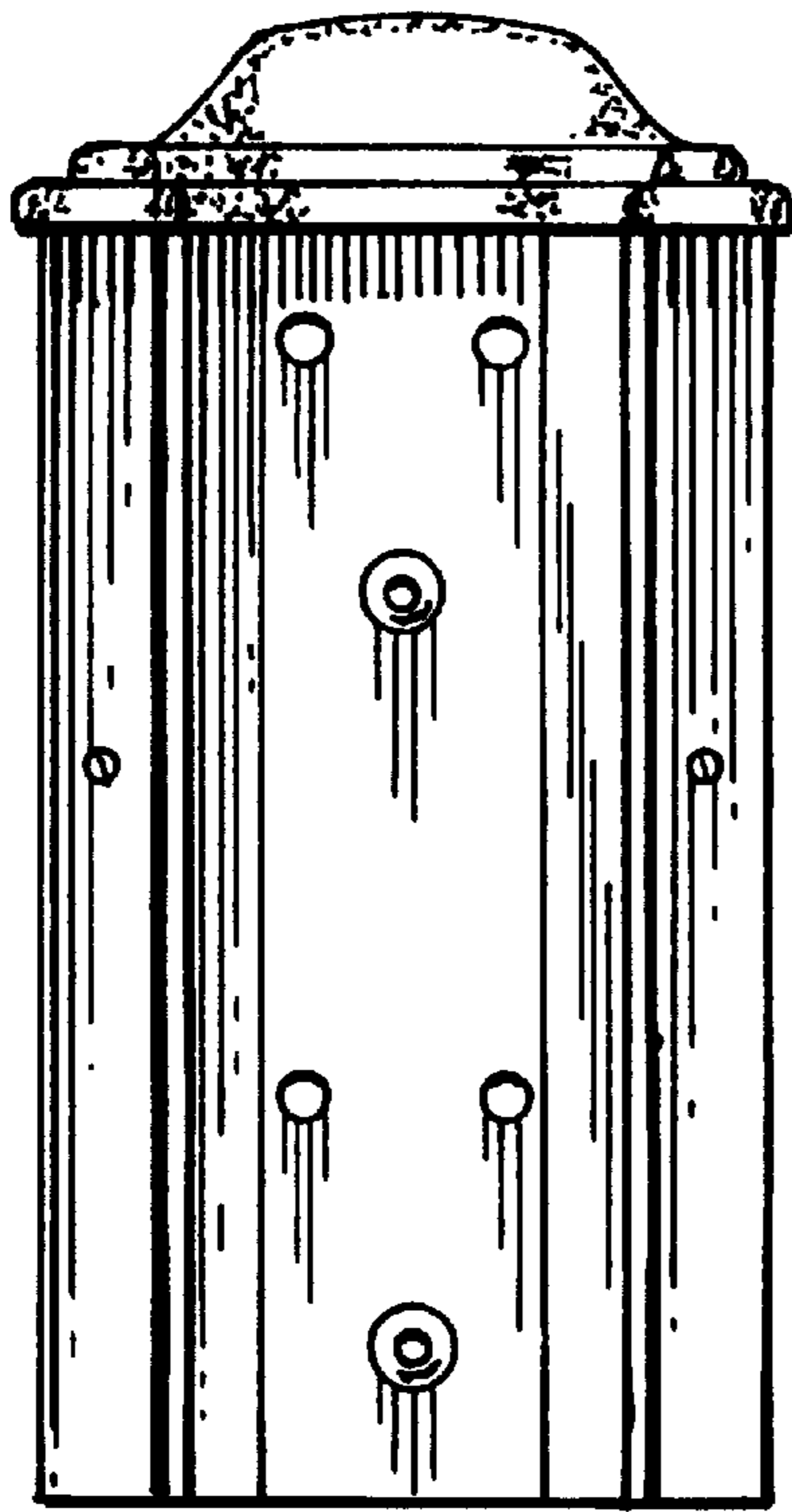


FIG. 5

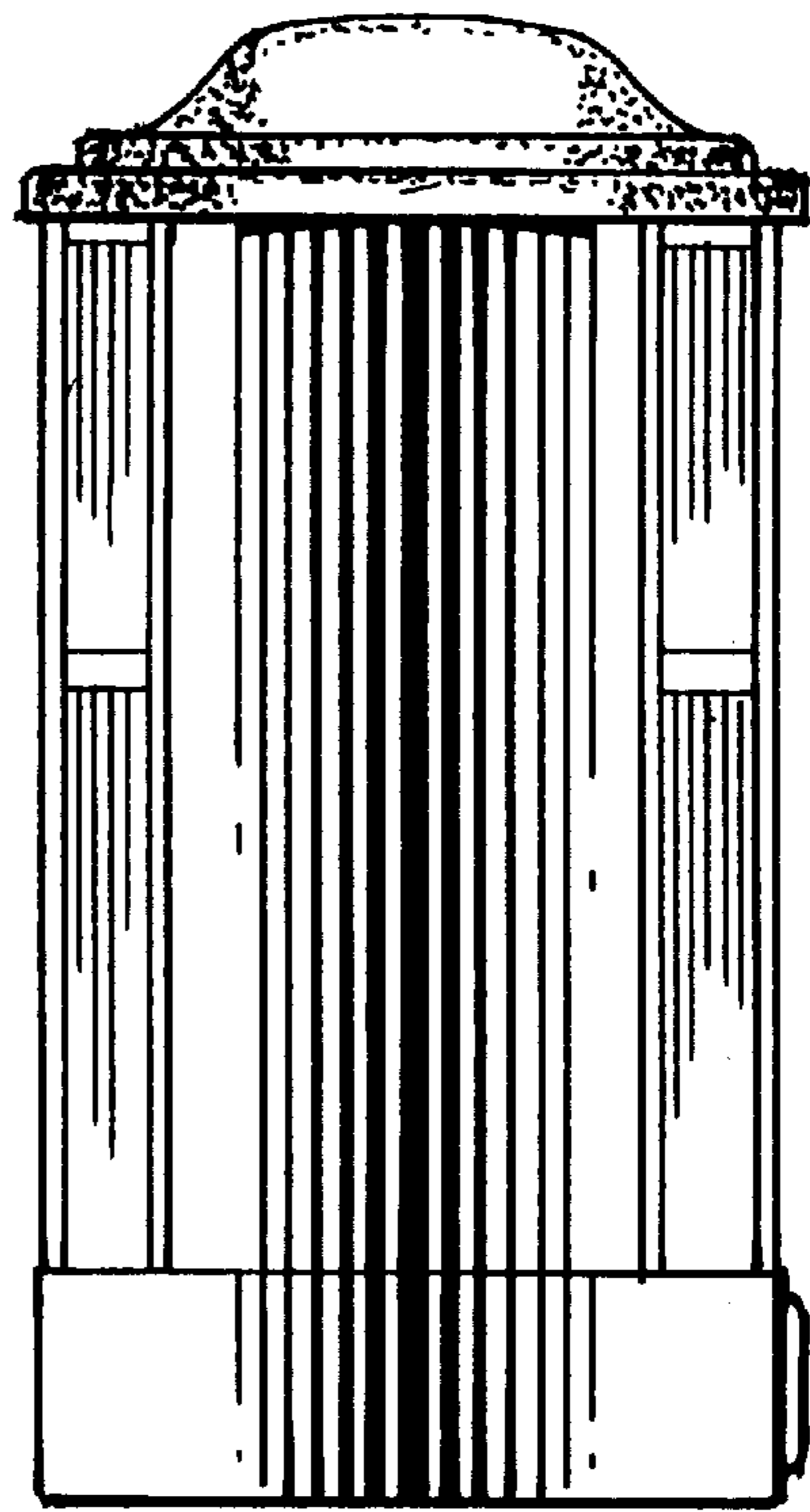


FIG. 4

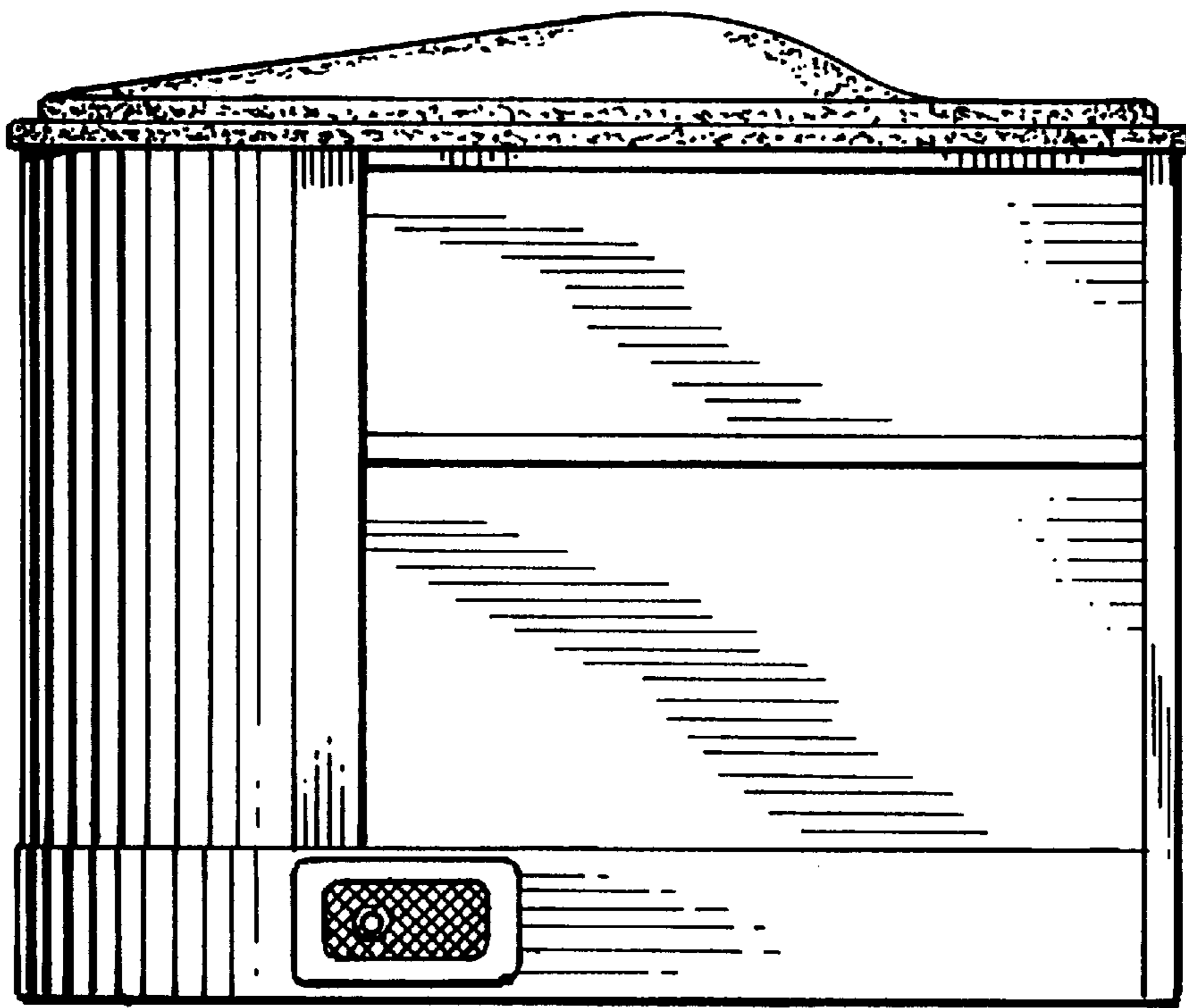


FIG. 3