



US00D430610S

United States Patent [19]

Jones

[11] Patent Number: **Des. 430,610**

[45] Date of Patent: **** Sep. 5, 2000**

[54] **DESKTOP CONTAINER**

[76] Inventor: **Sandra B. Jones**, 995 Hearthstone Pl., Stone Mountain, Ga. 30083

[**] Term: **14 Years**

[21] Appl. No.: **29/111,481**

[22] Filed: **Sep. 28, 1999**

[51] **LOC (7) Cl.** **19-02**

[52] **U.S. Cl.** **D19/75; D19/77; D19/95; D19/20; D9/420**

[58] **Field of Search** D9/414, 420, 424, D9/430, 431, 433; D19/65, 75, 77, 78, 20-25, 86, 95, 99, 100; 206/214, 224, 371, 206, 336, 338, 808; 40/107-122; 2/173

[56] **References Cited**

U.S. PATENT DOCUMENTS

| | | | | |
|------------|--------|----------|-------|--------|
| D. 96,289 | 7/1935 | Wewetzer | | D9/420 |
| D. 230,598 | 3/1974 | Goodrich | | D9/420 |
| D. 257,114 | 9/1980 | Baird | | D7/629 |
| D. 299,477 | 1/1989 | Klodt | | D19/85 |

| | | | | |
|------------|---------|---------|-------|--------|
| D. 309,106 | 7/1990 | Willson | | D9/430 |
| 3,992,724 | 11/1976 | Bosler | | 2/173 |

Primary Examiner—Martie K. Holtje
Attorney, Agent, or Firm—Thomas, Kayden, Horstemeyer & Risley L.L.P.

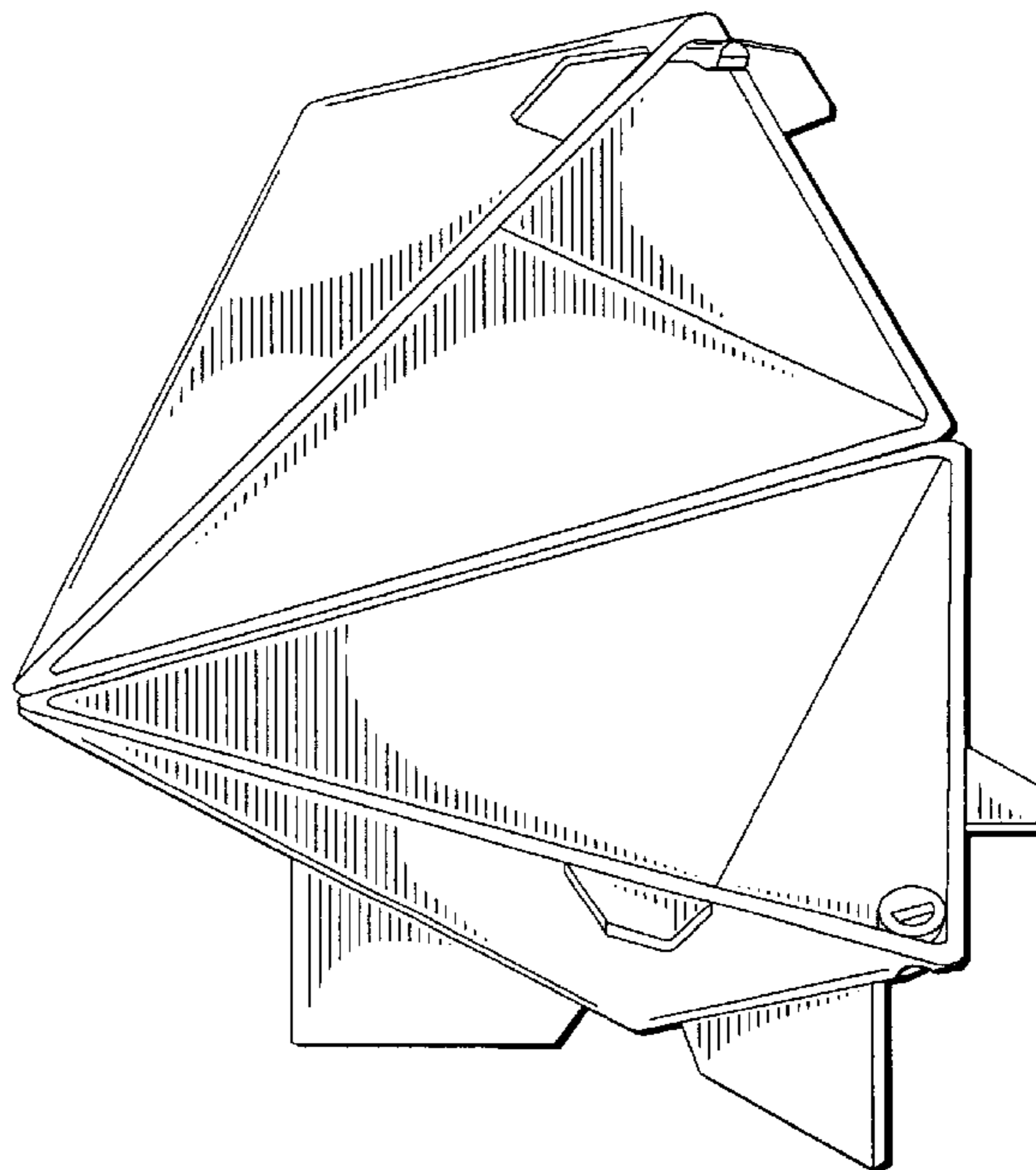
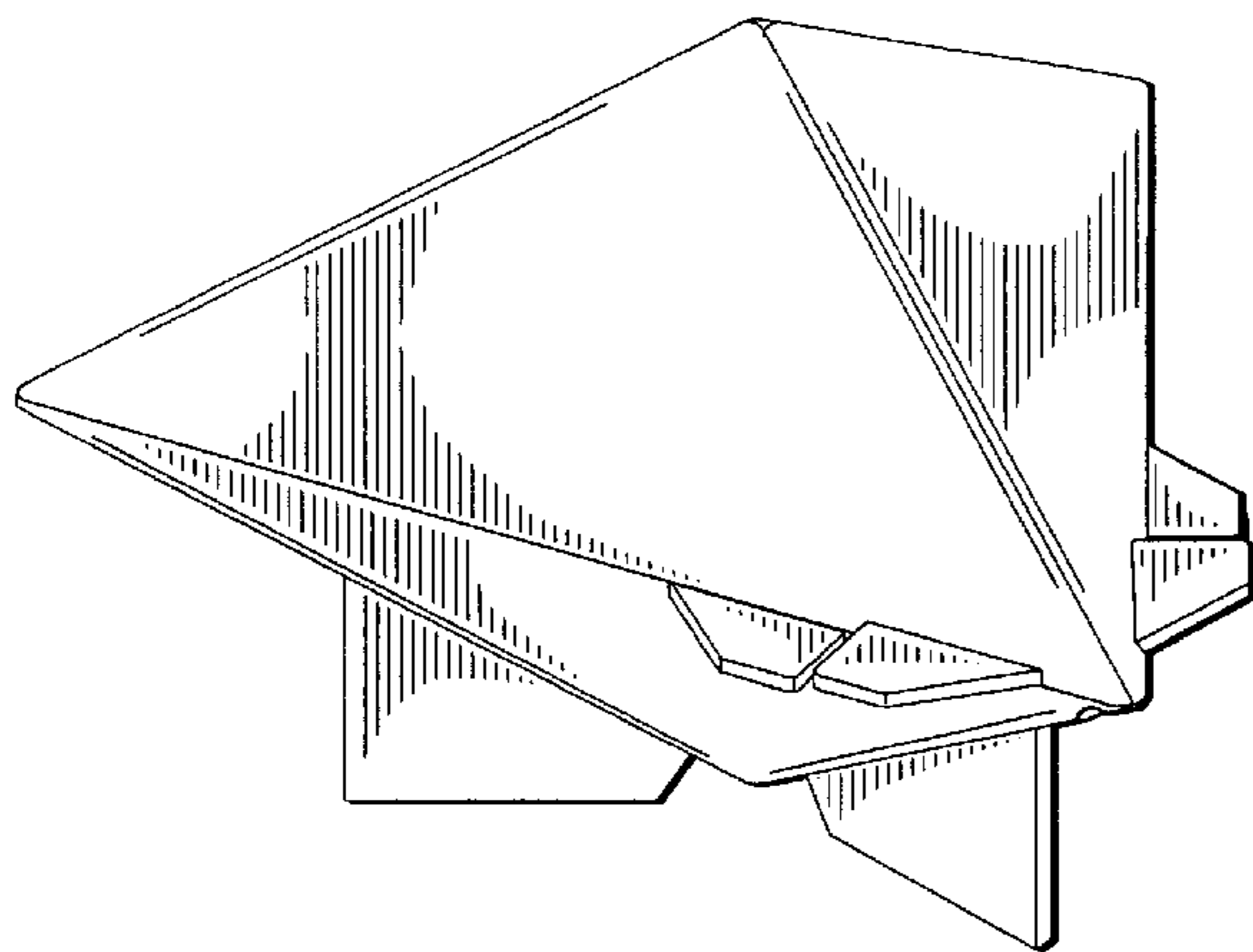
[57] **CLAIM**

The ornamental design for the desktop container, as shown and described.

DESCRIPTION

FIG. 1 is a perspective illustration of the desktop container, with the lid in the closed position; FIG. 2 is a left side view thereof; FIG. 3 is a right side view thereof; FIG. 4 is a front view thereof; FIG. 5 is a rear view thereof; FIG. 6 is a top view thereof; FIG. 7 is a bottom view thereof; and, FIG. 8 is a perspective illustration thereof, with the lid in the open position.

1 Claim, 3 Drawing Sheets



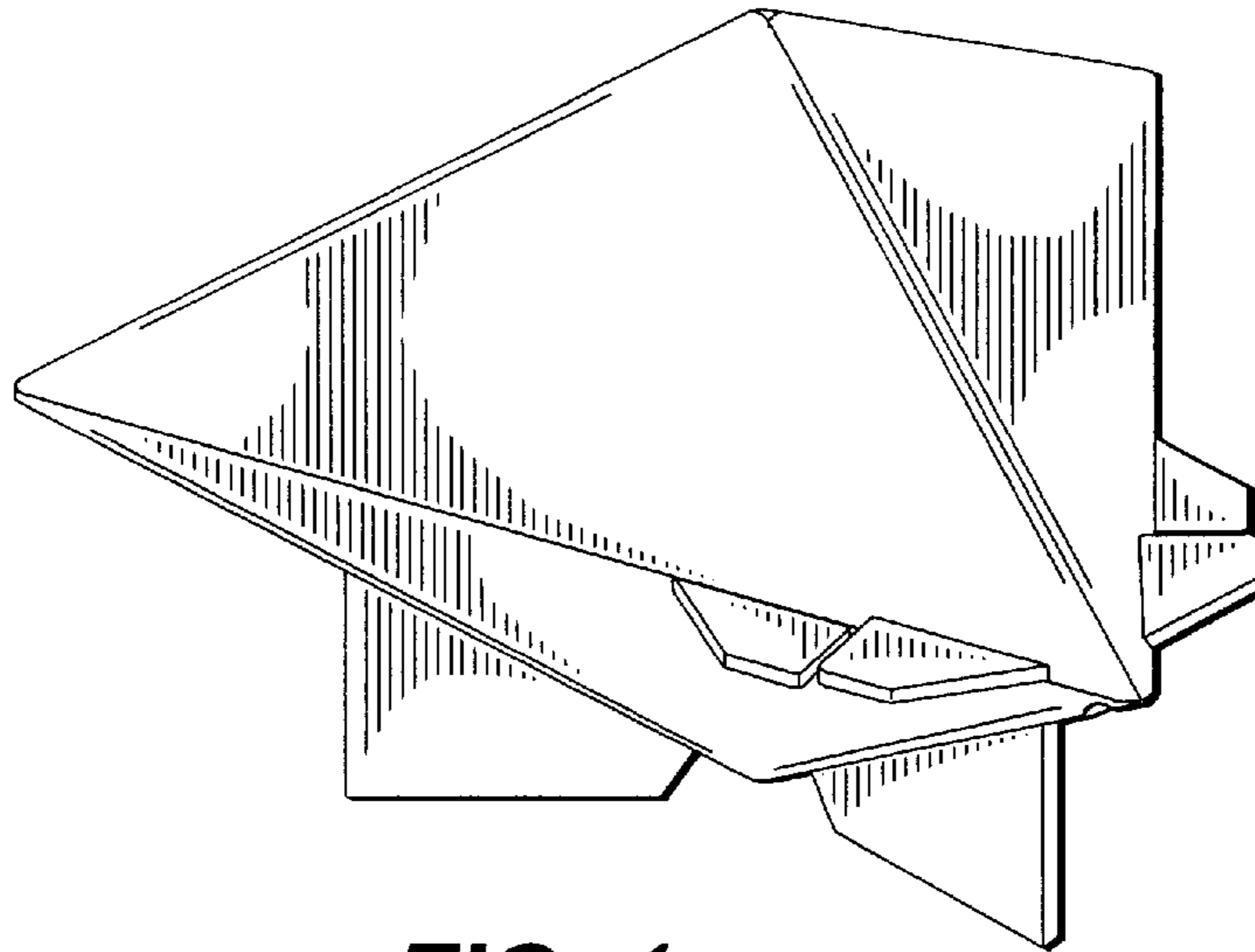


FIG. 1

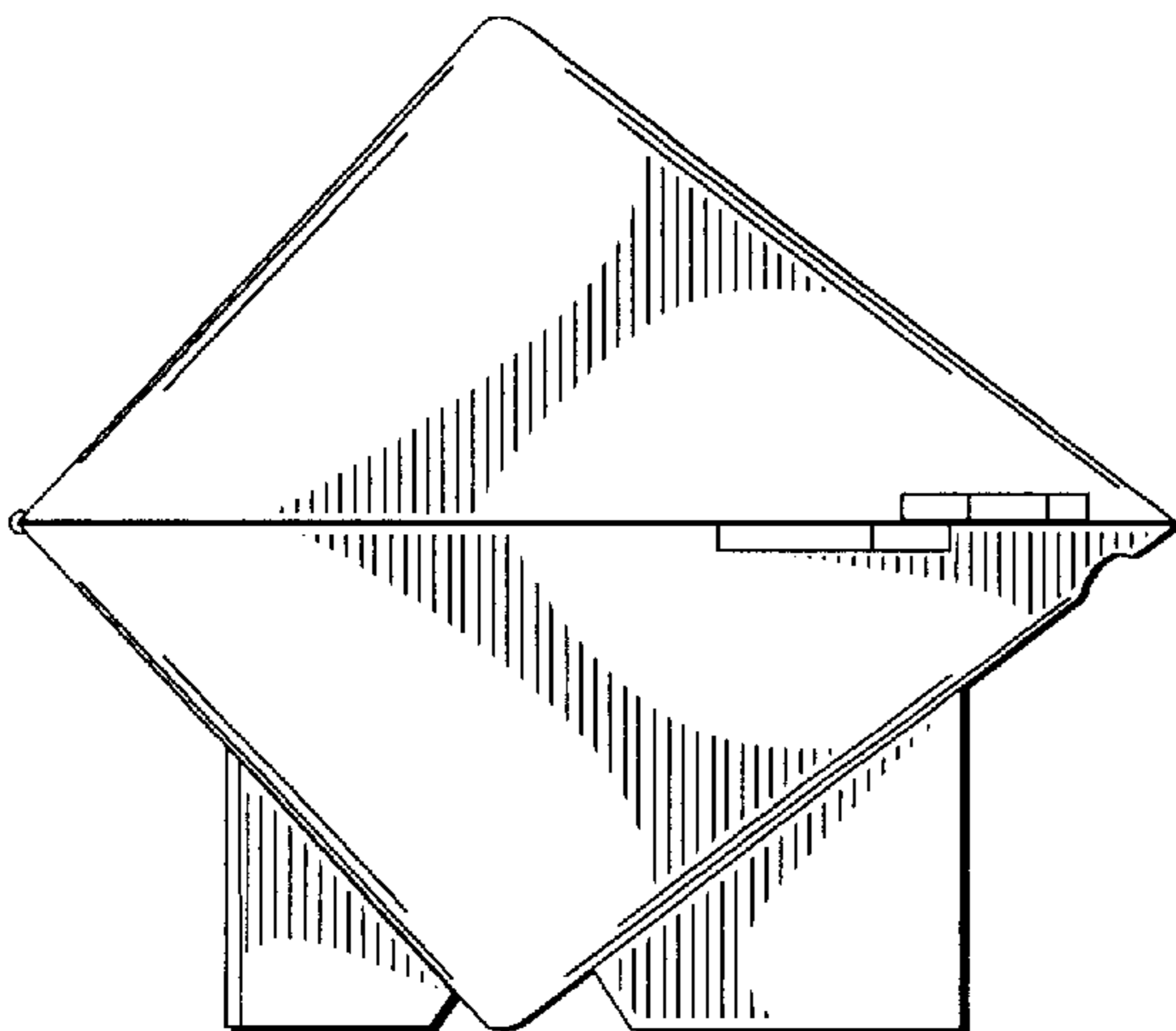


FIG. 2

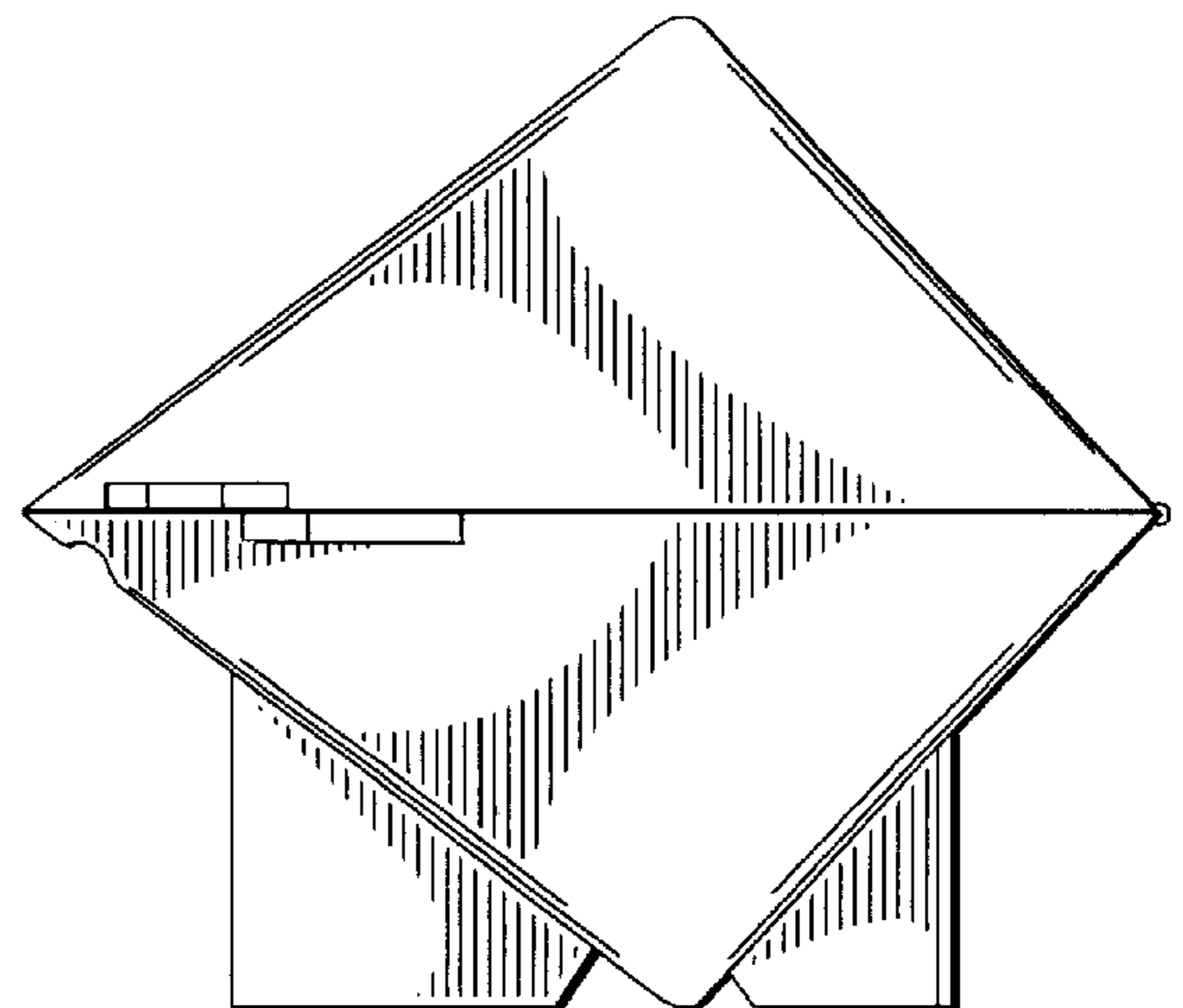


FIG. 3

FIG. 4

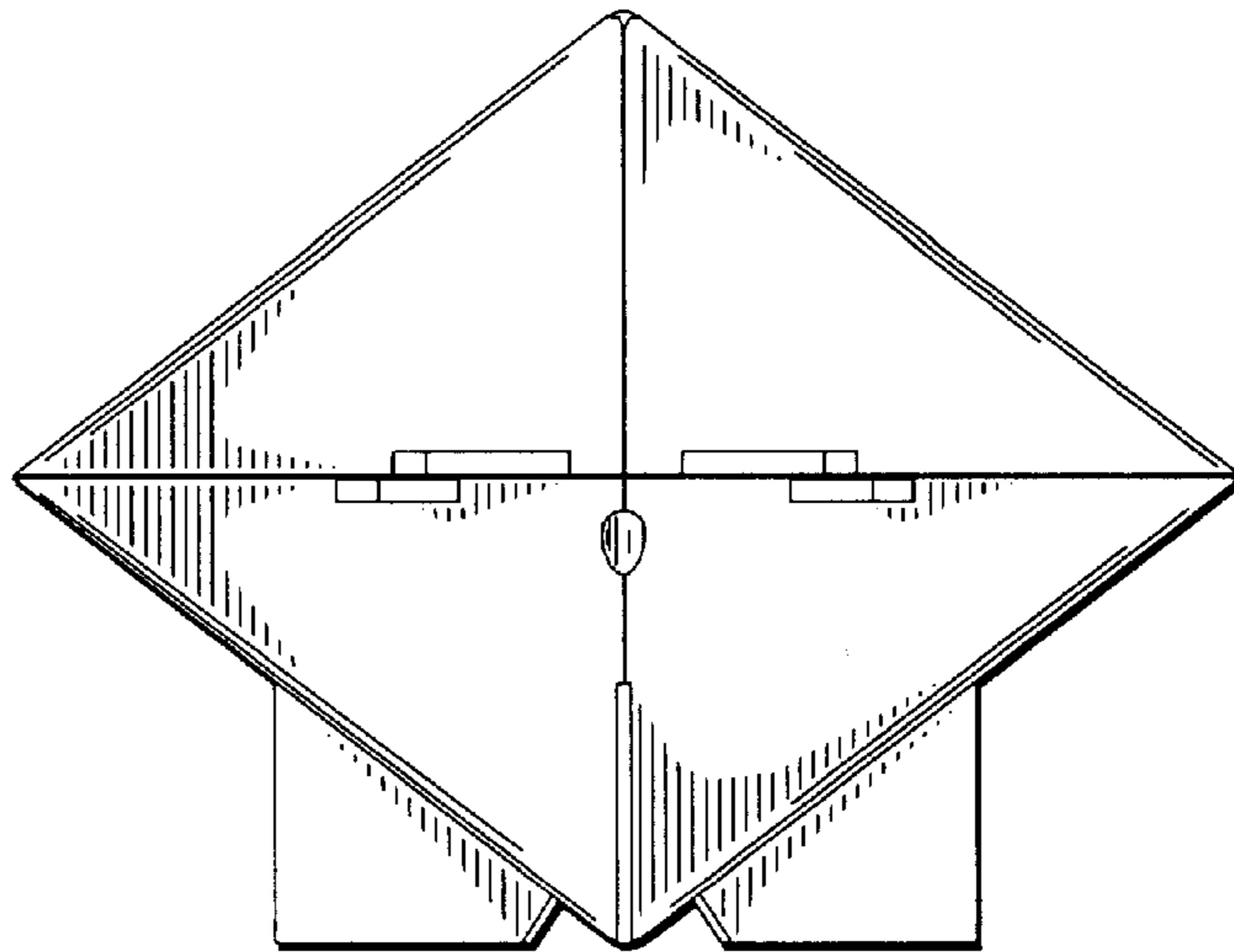


FIG. 5

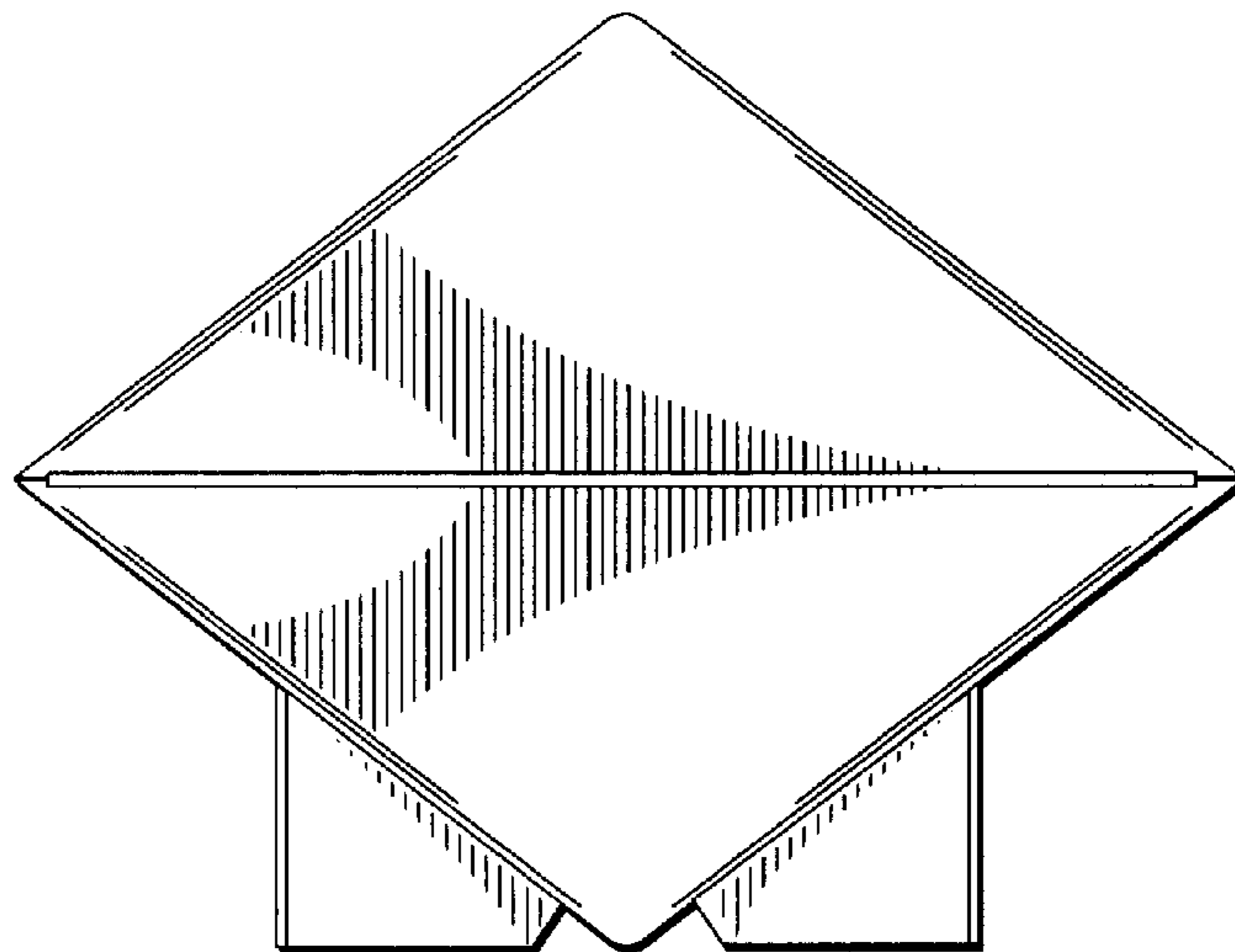


FIG. 6

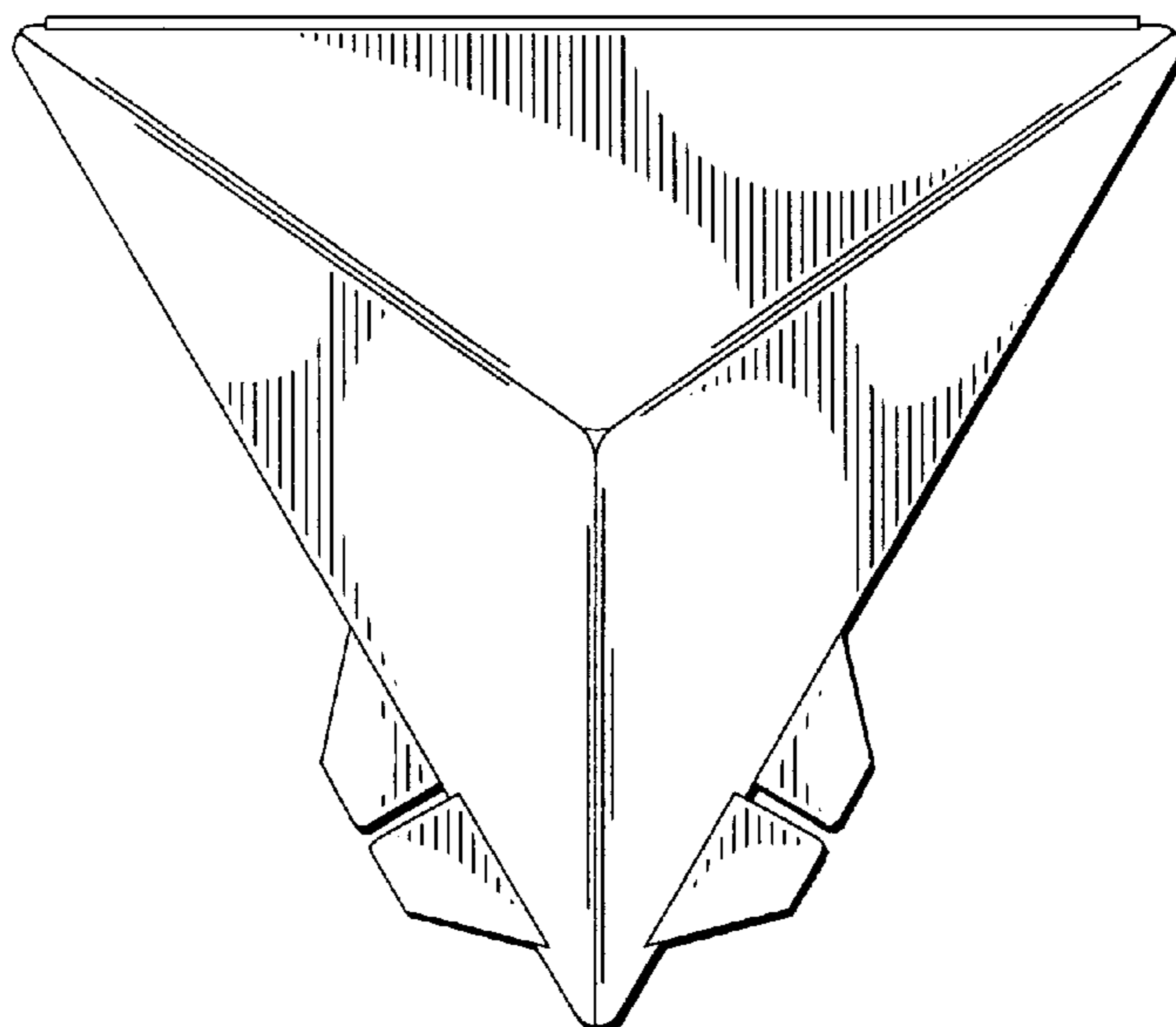


FIG. 7

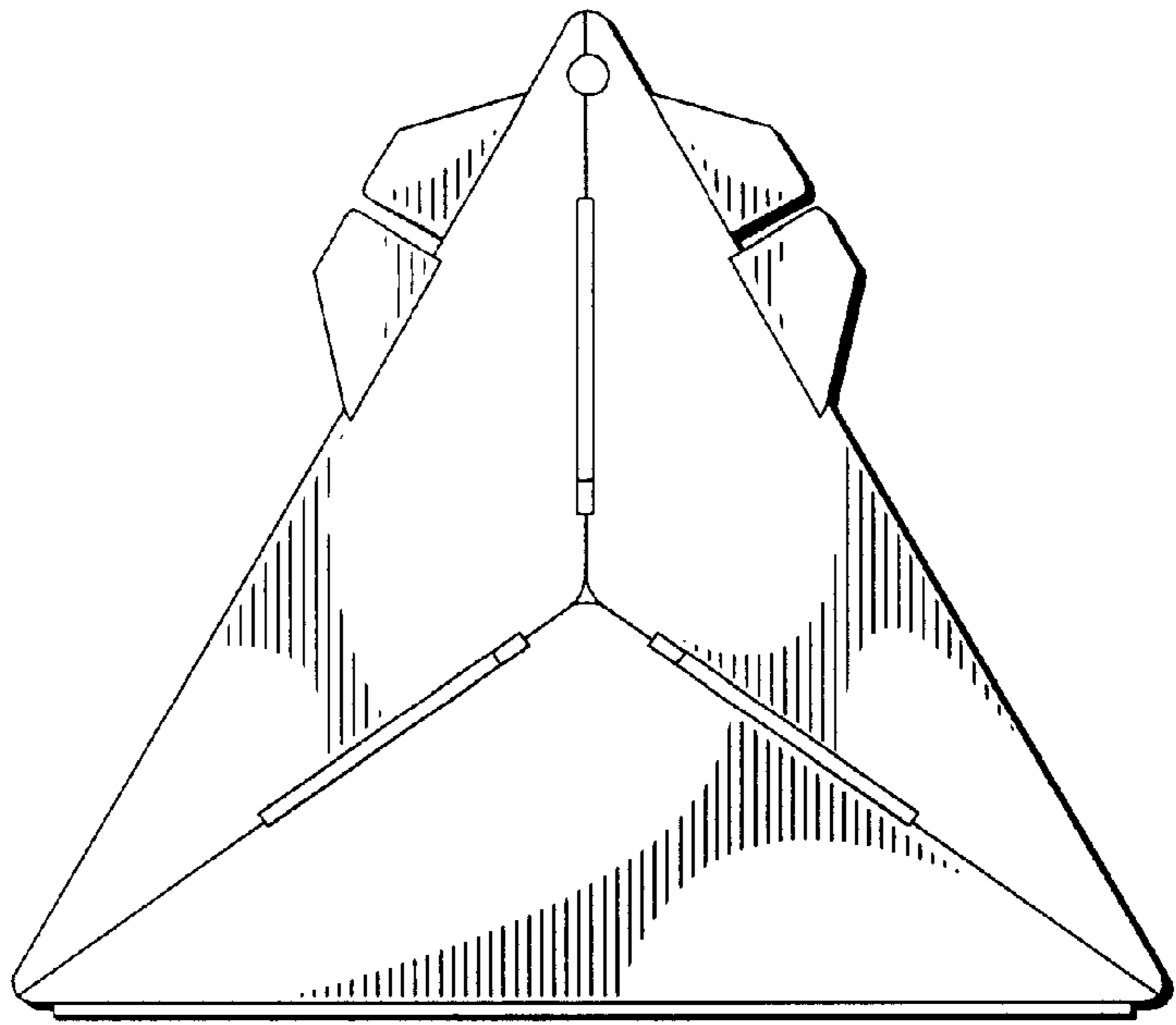


FIG. 8

