



US00D430606S

# United States Patent [19]

Veillon

[11] **Patent Number: Des. 430,606**

[45] **Date of Patent: \*\* Sep. 5, 2000**

[54] **WRITING INSTRUMENT WITH A CAP**

[75] Inventor: **Jean Veillon**, Saint Etienne de Montluc, France

[73] Assignee: **Waterman S.A.**, Levallois Perret, France

[\*\*] Term: **14 Years**

[21] Appl. No.: **29/116,057**

[22] Filed: **Dec. 23, 1999**

[30] **Foreign Application Priority Data**

Jun. 28, 1999 [XH] Hague Agreement ..... DM/048287

[51] **LOC (7) Cl.** ..... **19-06**

[52] **U.S. Cl.** ..... **D19/48; D19/43; D19/51; D19/56; D19/57**

[58] **Field of Search** ..... D19/35, 36, 41-51, D19/53-58, 81-85; 401/6, 7, 88, 221, 227, 243-247, 202, 262

[56] **References Cited**

**U.S. PATENT DOCUMENTS**

- D. 155,532 10/1949 Morrison ..... D19/48
- D. 174,250 3/1955 Daniels ..... D19/48
- D. 179,615 1/1957 Spatz ..... D19/48
- D. 234,225 1/1975 Ito ..... D19/48
- D. 283,901 5/1986 Horntrich ..... D19/50

- D. 321,718 11/1991 Ambasz ..... D19/48
- D. 329,660 9/1992 Yamanaka ..... D19/48
- D. 345,578 3/1994 Zier ..... D19/48

*Primary Examiner*—Martie K. Holtje  
*Attorney, Agent, or Firm*—Chester Cekala

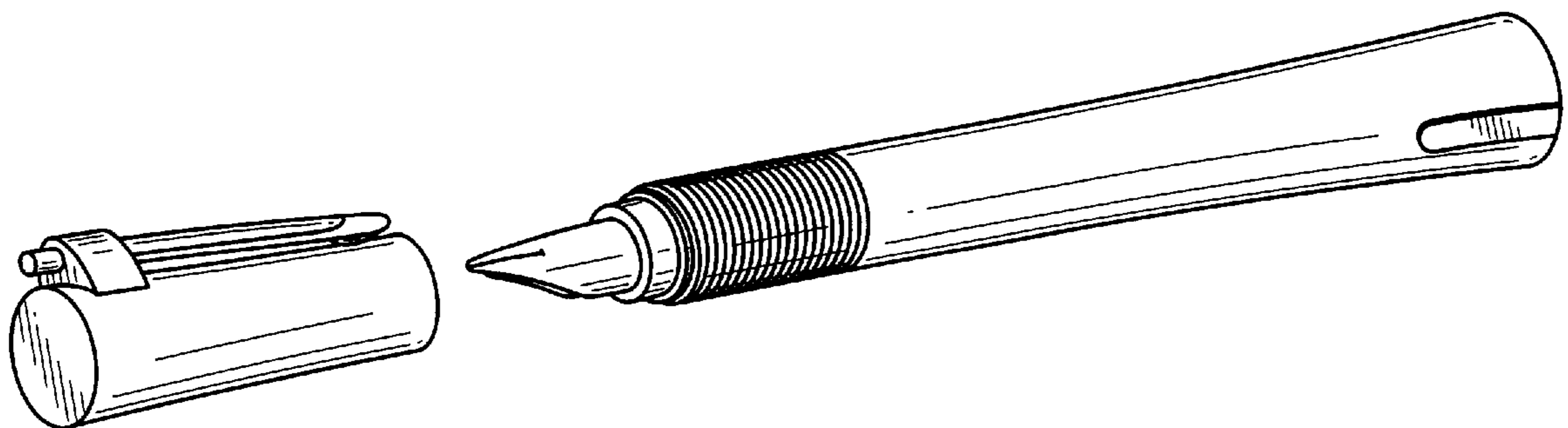
[57] **CLAIM**

The ornamental design for a writing instrument with a cap, as shown and described.

**DESCRIPTION**

FIG. 1 is a rear elevational view of a writing instrument with a cap;  
 FIG. 2 is a right side elevational view thereof;  
 FIG. 3 is a front elevational view thereof;  
 FIG. 4 is a left side elevational view thereof;  
 FIG. 5 is a front elevational view thereof with the cap removed.  
 FIG. 6 is a right elevational view thereof with the cap removed.  
 FIG. 7 is a bottom elevational view with thereof;  
 FIG. 8 is a top elevational view thereof; and  
 FIG. 9 is a perspective view as seen from the top and front with the cap affixed to the writing point end showing my new design; and,  
 FIG. 10 is a perspective view as seen from top and left side and the cap removed.

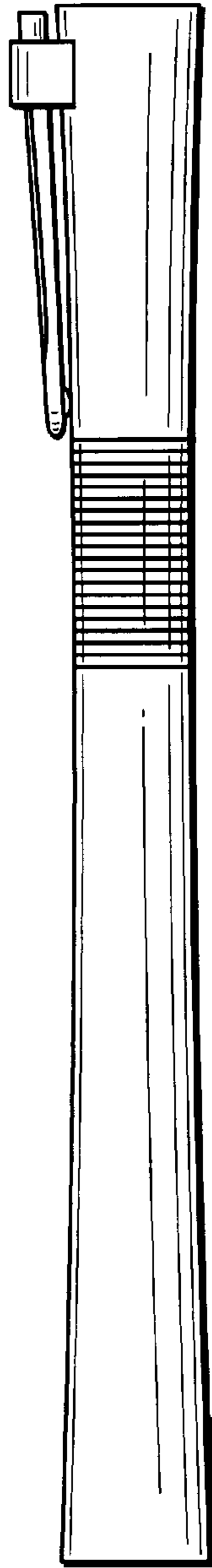
**1 Claim, 4 Drawing Sheets**



**FIG. 1**



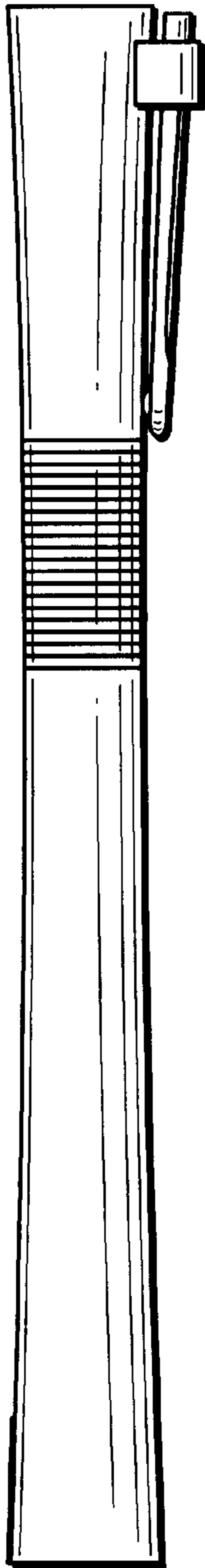
**FIG. 2**



**FIG. 3**



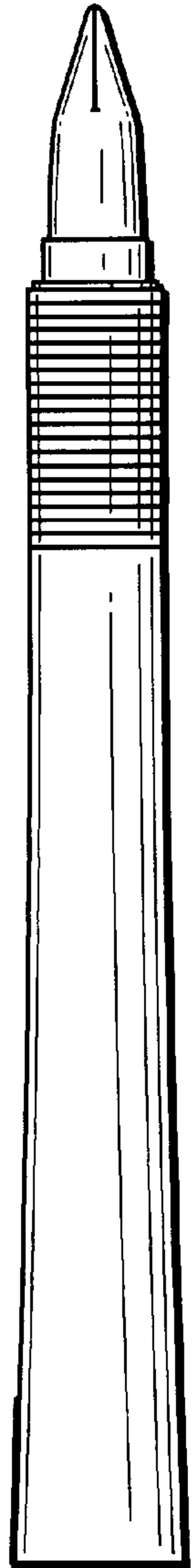
**FIG. 4**



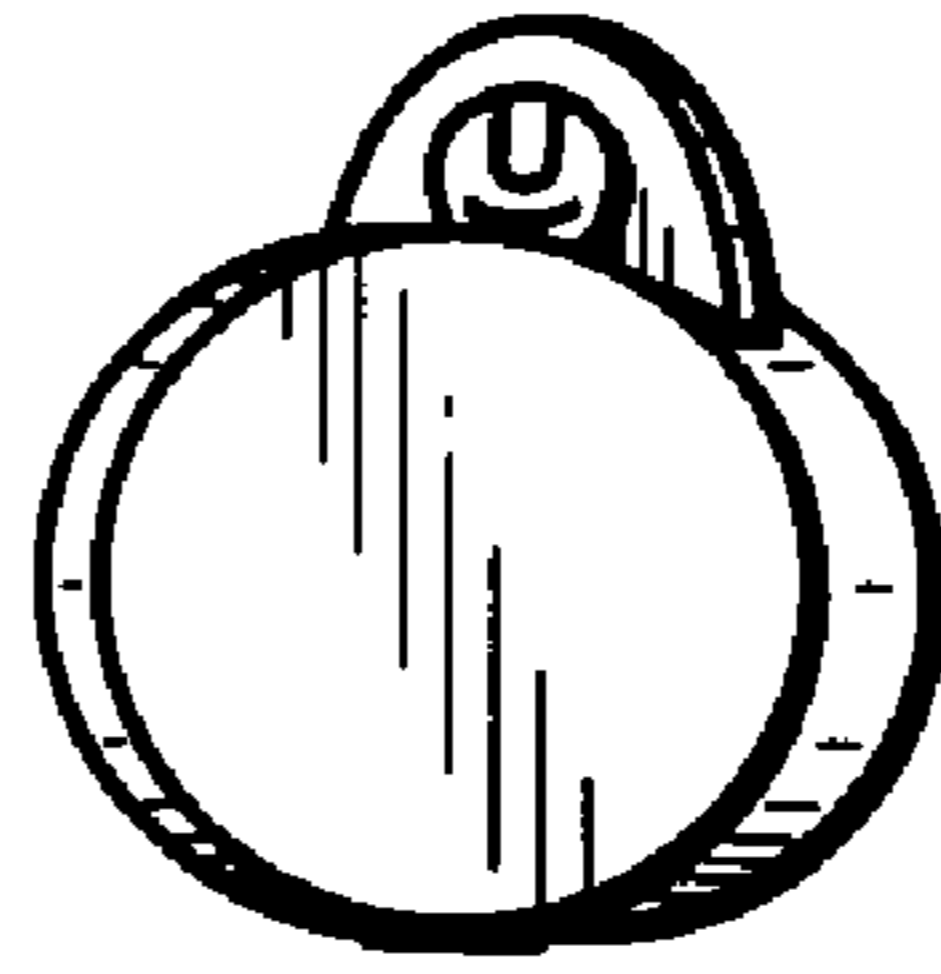
**FIG. 5**



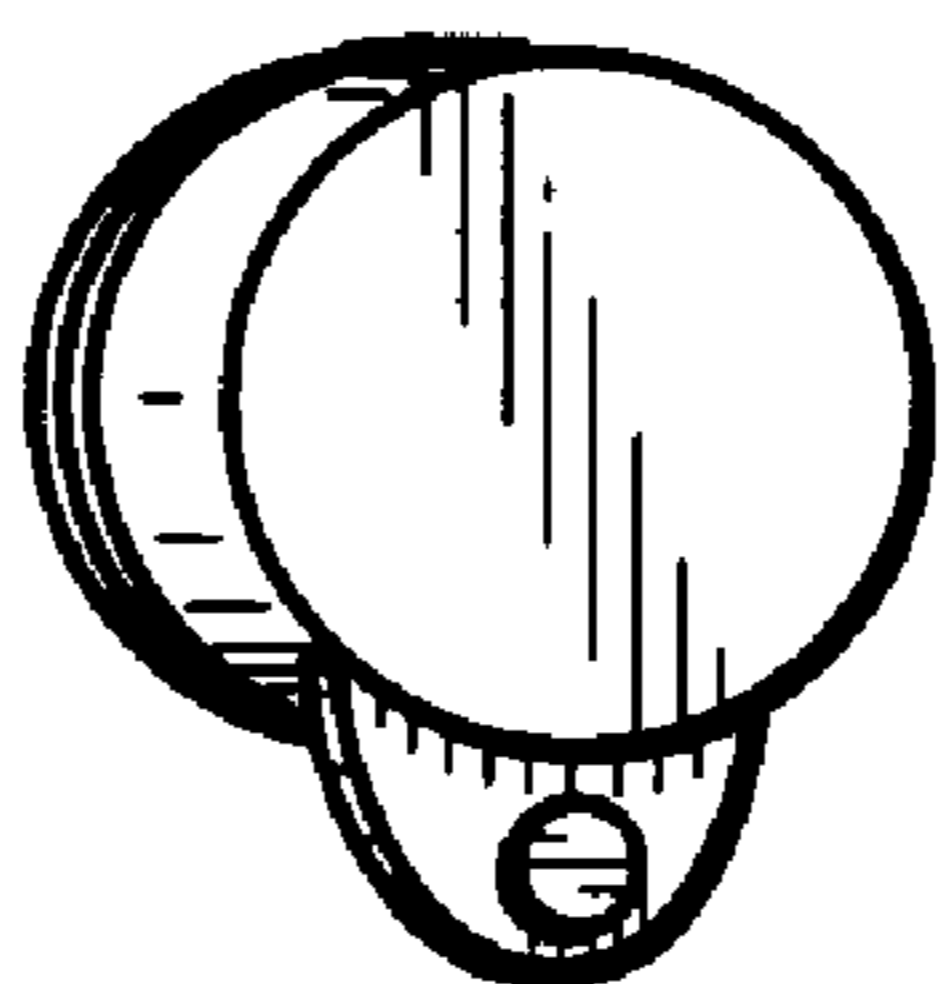
**FIG. 6**



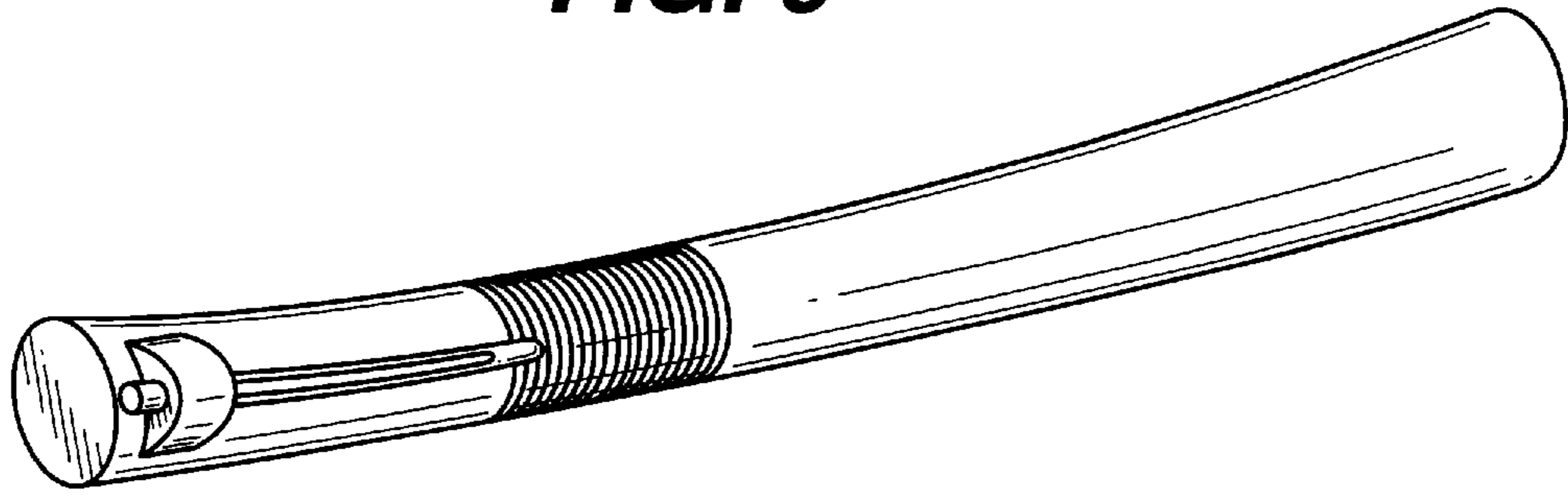
***FIG. 7***



***FIG. 8***



**FIG. 9**



**FIG. 10**

